

mellerware®

Steezy!

Steam iron

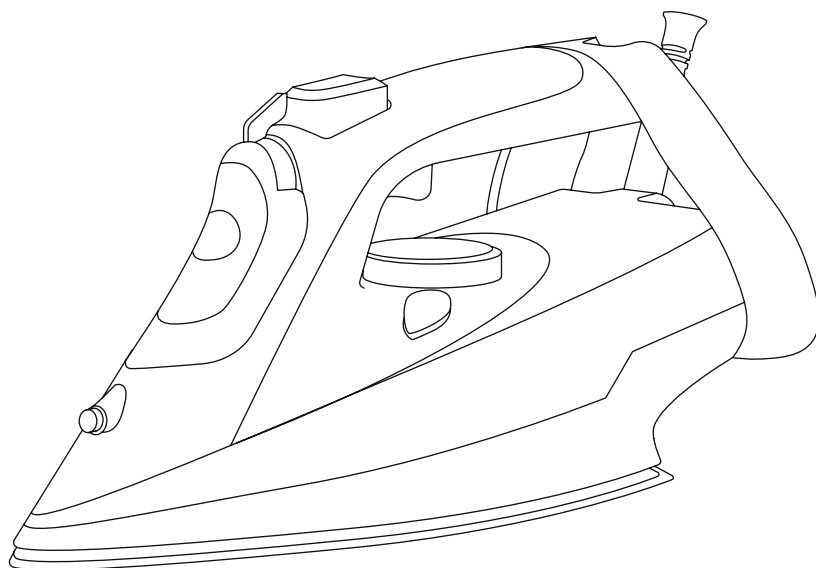
Plancha de vapor

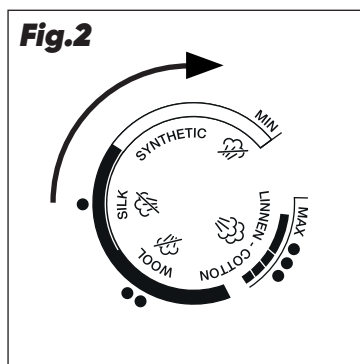
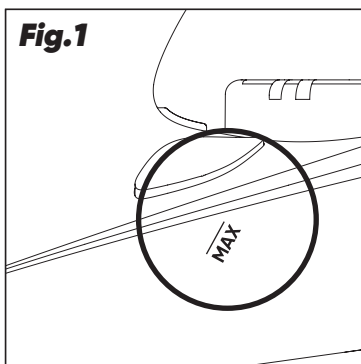
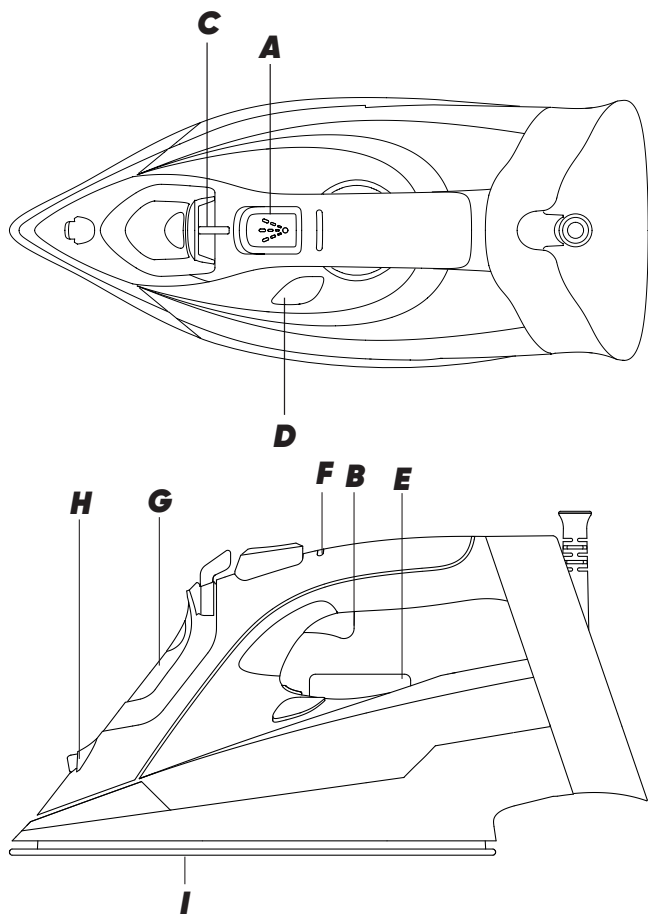
Fer à repasser vapeur

Ferro a vapor

Dampfbügeleisen

Ferro da stiro a vapore





Dear customer,

Many thanks for choosing to purchase a Mellerware brand product.

Thanks to its technology, design and operation and the fact that it exceeds the strictest quality standards, a fully satisfactory use and long product life can be assured.

**Safety advice
and warnings**

- 1.** Read these instructions carefully before switching on the appliance and keep them for future reference. Failure to follow and observe these instructions could lead to an accident.
- 2.** The appliance must be used and placed on a flat, stable surface.
- 3.** When the appliance is placed on its support, make sure that the surface on which it is placed is stable.
- 4.** Never leave the appliance unattended while it is connected to the supply mains.
- 5.** This appliance can be used by children aged from 8 years and above and persons with reduced physical, sensory or mental capabilities or lack of experience and knowledge if they have been given supervision or instruction concerning use of the appliance in a safe way and understand the hazards involved.
- 6.** Cleaning and user maintenance shall not be made by children unless they are supervised.
- 7.** Keep the appliance and its cord out of reach of children less than 8 years of age.
- 8.** This appliance is not a toy. Children should be supervised to ensure that they do not play with the appliance.
- 9.** Do not use the appliance if it has fallen on the floor, if there are visible signs of damage or if it has a leak.



- The temperature of the accessible surfaces may

be high when the appliance is in use.

10. If the connection to the mains has been damaged, it must be replaced, take the appliance to an authorised technical support service. Do not attempt to disassemble or repair the appliance by yourself in order to avoid a hazard.

11. This appliance is for household use only, not professional, industrial use.

12. Unplug the appliance from the mains before refilling the water tank.

- Ensure that the voltage indicated on the rating label matches the mains voltage before plugging in the appliance.
- Connect the appliance to a base with an earth socket withstanding a minimum of 16 amperes.
- The appliance's plug must fit into the mains socket properly. Do not alter the plug. Do not use plug adaptors.
- To avoid phenomena in the electrical network, it is recommended that the device be connected to a maximum impedance of 0.27 Ω . For any

questions, consult your electric company.

- Do not use or store the appliance outdoors.
- Do not leave the appliance out in the rain or exposed to moisture. If water gets into the appliance, this will increase the risk of electric shock.
- Do not force the power cord. Never use the power cord to lift up, carry or unplug the appliance.
- Do not wrap the power cord around the appliance.
- Do not clip or crease the power cord.
- Do not allow the power cord to hang or to come into contact with the hot surfaces of the appliance.
- Check the state of the power cord. Damaged or tangled cables increase the risk of electric shock.
- Do not touch the plug with wet hands.
- Do not use the appliance if the cable or plug is damaged.
- If any of the appliance casings breaks, immediately disconnect the appliance from the mains to prevent the possibility of an electric shock.
- Do not touch the heated parts of the appliance, as it may cause serious burns.

USE AND CARE

- Fully extend the appliance's power cable before each use.
- Do not use the appliance if the accessories or consumables attached to it are defective. Replace them immediately.

- Do not use the appliance if the on/off switch does not work.
- Do not use the appliance if any of the switches do not work.
- Use the appliance handle/s, to catch it or move it.
- Do not use the appliance if it is tipped up and do not turn it over.
- To keep the non-stick treatment in good condition, do not use metal or pointed utensils on it.
- Respect the MAX level indicator. (Fig.1)
- Disconnect the appliance from the mains when not in use and before undertaking any cleaning task.
- Store this appliance out of reach of children and/or persons with physical, sensory or reduced mental or lack of experience and knowledge.
- Do not store or transport the appliance if it is still hot.
- Keeping the iron in its housing support at maximum temperature for too long time, may cause its colour change, which will not affect the correct working order of the appliance.
- For a correct operation, keep the soleplate in proper conditions; do not operate over metal objects (ironing board metal parts, buttons, zips etc.)
- It is advisable to use distilled water, especially if the water in your area contains clay or if it is "hard" (containing lime or magnesium).
- Check that the lid is closed properly before starting the appliance.
- Never leave the appliance connected and unattended if is not in use. This saves energy and prolongs the life of the appliance.
- Never rest the appliance into a surface while in use.
- Do not use the appliance on any part of the body of a person or animal.
- Do not use the appliance to dry textiles of any kind.
- Turn the thermostat control to the minimum (MIN) setting. This does not mean that the iron is switched off permanently.

Service

Any misuse or failure to follow the instructions for use renders the guarantee and the manufacturer's liability null and void.

Description

- A – Spray button
- B – Steam blast button
- C – Steam flow control
- D – Auto-cleaning button
- E – Temperature regulator
- F – Pilot light
- G – Filling spout
- H – Spray nozzle
- I – Soleplate

If the model of your appliance does not have the accessories described above, they can also be bought separately from the Technical Assistance Service.

Instructions for use

BEFORE USE

- Make sure that all products' packaging has been removed. Some parts of the appliance have been lightly greased.
- Consequently, the first time the appliance is used a light smoke may be detected. After a short time, this smoke will disappear.

FILLING WITH WATER

- It is essential to have filled the deposit with water to be able to work with steam.
- Open water inlet lid.
- Fill the deposit taking care to observe the MAX level (Fig.1).
- Close water inlet lid.

USE

- Extend the cable completely before plugging it in.
- Connect the appliance to the mains.
- Turn the thermostat control to the desired temperature position.
- Do not use temperatures higher than those indicated on the garments to be treated.
 - Temperature for synthetic fibres (Polyester, Nylon...) and silk.
 - Temperature for wool.
 - Temperature for cotton. (Minimum temperature for steam ironing)
MAX Temperature for linen.
- If garment has various kinds of fibres, select the temperature for the fibre that requires the lowest

temperature. (For example, select the temperature for polyester for an article made out of 60% polyester and 40% cotton).

- Wait until the pilot light (F) has gone out which will indicate that the appliance has reached an adequate temperature.
- During the appliance's use the pilot light (F) will come on and off automatically, indicating the heating elements are working, and therefore maintaining the desired temperature.

DRY IRONING

- The appliance has a steam flow regulator that permits dry ironing (without steam) when placed in the 1 position.

STEAM IRONING

- It is possible to iron with steam whenever the deposit is filled with water and the adequate temperature is selected.

STEAM FLOW CONTROL

- The appliance has a control knob (C) that allows getting the control of the steam flow.

SPRAY

- The spray can be used in both steam and dry ironing.
- Press the spray button (A) to use this operation.
- The spray button has to be pressed repeatedly to release the first spray.

STEAM BLAST

- This function proportions extra steam for eliminating wrinkles.
- Press the steam blast button (B). Wait a few seconds until vapour penetrates the fibres of the garment before pushing the button again. For optimum steam quality, do not apply more than three successive blasts.
- The steam blast button has to be pressed repeatedly to release the first shot.

VERTICAL STEAMING

- It is possible to iron hanging curtains, items of clothing on his hanger, etc. To do so, follow the instructions:
 - Select the maximum temperature of the iron, while turning the temperature regulator of the iron in a clockwise direction (Fig.2).
 - Move the iron in a top to bottom direction while pressing the steam control (B). Important: for cotton and linen, it's recommended to put the iron base in contact with the material. For other more delicate fibres, it's recommended to keep the iron base at some centimetres of distance.

ONCE YOU HAVE FINISHED USING THE APPLIANCE

- Select the minimum position (MIN) using the thermostat control.

- Unplug the appliance from the mains.
- Remove the water from the inside of the appliance.
- Clean the appliance.

Cleaning

- Disconnect the appliance from the mains and allow it to cool before undertaking any cleaning task.
- Clean the equipment with a damp cloth with a few drops of washing-up liquid and then dry.
- Do not use solvents, or products with an acid or base pH such as bleach, or abrasive products, for cleaning the appliance.
- Never submerge the appliance in water or any other liquid or place it under running water.

SELF-CLEANING FUNCTION

- It is important to self-clean the appliance at least once a month to remove calcium and any other built-up minerals inside the iron.
- Fill the depository to its maximum level, as indicated on "water fill" section.
- Place the iron in the vertical position, plug into the mains and select the maximum temperature.
- Leave the appliance to heat up until the pilot light indicates that it has reached its consigned temperature.
- Unplug the appliance and place in the sink.

- Press the self-clean button, and keep it pressed down.
- Let the water flow out through the steam vents in the base, while lightly shaking the appliance.
- Release the button after a minute or when the tank becomes empty.
- Leave the iron in the vertical position until it has cooled.

HOW TO DEAL WITH LIME SCALE INCRUSTATIONS

- For the appliance to work correctly it should be kept free of limescale or magnesium incrustations caused by the use of hard water.
- To prevent this kind of problem, we recommend the use of water with low lime or magnesium mineralisation.
- Homemade solutions are not recommended in the decaling of this appliance, such as the use of vinegar.

Anomalies and repair

Take the appliance to an authorised technical support service if product is damaged or other problems arise. Do not attempt to disassemble or repair the appliance yourself as this may be dangerous.

For EU product versions and/or in case that it is requested in your country:

ECOLOGY AND RECYCLABILITY OF THE PRODUCT

The materials of which the packaging of this appliance consists are included in a collection, classification and recycling system. Should you wish to dispose of them, use the appropriate public recycling bins for each type of material. The product does not contain concentrations of substances that could be considered harmful to the environment.



- This symbol means that in case you wish to dispose of the product once its working life has ended; take it to an authorised waste agent for the selective collection of Waste from Electric and Electronic Equipment (WEEE).

This appliance complies with Directive 2014/35/EU on Low Voltage, Directive 2014/30/EU on Electromagnetic Compatibility, Directive 2011/65/EU on the restrictions of the use of certain hazardous substances in electrical and electronic equipment and Directive 2009/125/EC on the ecodesign requirements for energy-related products.

Warranty and technical assistance

This product enjoys the recognition and protection of the legal guarantee in accordance with current legislation. To enforce your rights or interests you must go to any of our official technical assistance services.

You can find the closest one by accessing the following web link: www.mellerware.com.

You can also request related information by contacting us.

You can download this instruction manual and its updates at www.mellerware.com

Distinguido cliente:

Le agradecemos que se haya decidido por la compra de un producto de la marca Mellerware. Su tecnología, diseño y funcionalidad, junto con el hecho de superar las más estrictas normas de calidad le comportarán total satisfacción durante mucho tiempo.

Consejos y advertencias de seguridad

- 1.** Leer atentamente este folleto de instrucciones antes de poner el aparato en marcha y guardarlo para posteriores consultas. La no observación y cumplimiento de estas instrucciones pueden comportar como resultado un accidente.
- 2.** El aparato debe utilizarse y colocarse sobre una superficie plana y estable.
- 3.** Cuando se coloque el aparato sobre su soporte, asegurarse que la superficie sobre la que se coloca el soporte es estable.
- 4.** No dejar el aparato sin vigilancia mientras esté conectado a la red de alimentación eléctrica.
- 5.** Este aparato pueden utilizarlo niños con edad de 8 años y superior y personas con capacidades físicas, sensoriales o mentales reducidas o falta de experiencia y conocimiento, si se les ha dado la supervisión o formación apropiadas respecto al uso del aparato de una manera segura y comprenden los peligros que implica.
- 6.** La limpieza y el mantenimiento a realizar por el usuario no deben realizarlos los niños sin supervisión.
- 7.** Mantener el aparato y su conexión de red fuera del alcance de los niños menores de 8 años.
- 8.** Este aparato no es un juguete. Los niños deben estar bajo vigilancia para asegurar que no jueguen con el aparato.
- 9.** No utilizar el aparato si ha caído, si hay señales

visibles de daños, o si existe fuga.



- La temperatura de las superficies accesibles puede ser elevada cuando el aparato está en funcionamiento.

- 10.** Si la conexión red está dañada, debe ser substituida, llevar el aparato a un Servicio de Asistencia Técnica autorizado. Con el fin de evitar un peligro, no intente desmontarlo o repararlo por sí mismo.
- 11.** Este aparato está pensado únicamente para un uso doméstico, no para uso profesional o industrial.
- 12.** Desenchufar el aparato de la red antes de rellenar el depósito de agua.
- Antes de conectar el aparato a la red, verificar que el voltaje indicado en la placa de características coincide con el voltaje de red.
 - Conectar el aparato a una base de toma de corriente provista de toma de tierra y que soporte 16 amperios.

- La clavija del aparato debe coincidir con la base eléctrica de la toma de corriente. Nunca modificar la clavija. No usar adaptadores de clavija.
- Para evitar fenómenos en la red eléctrica se recomienda que el aparato sea conectado a una impedancia máxima de 0.27Ω . Para cualquier duda, consulte con su compañía eléctrica.
- No utilizar ni guardar el aparato a la intemperie.
- No exponer el aparato a la lluvia o condiciones de humedad. El agua que entre en el aparato aumentará el riesgo de choque eléctrico.
- No forzar el cable eléctrico de conexión. Nunca usar el cable eléctrico para levantar, transportar o desenchufar el aparato. No enrollar el cable eléctrico de conexión alrededor del aparato.
- No dejar que el cable eléctrico de conexión quede atrapado o arrugado.
- No dejar que el cable eléctrico de conexión quede colgando de la mesa o quede en contacto con las superficies calientes del aparato.
- Verificar el estado del cable eléctrico de conexión. Los cables dañados o enredados aumentan el riesgo de choque eléctrico.
- No tocar la clavija de conexión con las manos mojadas.
- No utilizar el aparato con el cable eléctrico o la clavija dañada.
- Si alguna de las envolventes del aparato se rompe, desconectar inmediatamente el aparato de la

red para evitar la posibilidad de sufrir un choque eléctrico.

- No tocar las partes calefactadas del aparato, ya que pueden provocar quemaduras.

UTILIZACIÓN Y CUIDADOS

- Antes de cada uso, extender completamente el cable de alimentación del aparato.
- No usar el aparato si los accesorios o consumibles acoplados a él presentan defectos. Proceda a sustituirlos inmediatamente.
- No usar el aparato si su dispositivo de puesta en marcha/paro no funciona.
- No utilizar el aparato si alguno de los dispositivos de puesta en marcha/paro no funciona.
- Hacer uso del asa/s para coger o transportar el aparato.
- No utilizar el aparato inclinado, ni darle la vuelta.
- Para conservar el tratamiento antiadherente en buen estado, no utilizar sobre el utensilios metálicos o punzantes.
- Respetar la indicación de nivel MAX. (Fig.1)
- Desenchufar el aparato de la red cuando no se use y antes de realizar cualquier operación de limpieza.
- Guardar este aparato fuera del alcance de los niños y/o personas con capacidades físicas, sensoriales o mentales reducidas o falta de experiencia y conocimiento.
- No guardar ni transportar el aparato si todavía está caliente.
- La permanencia prolongada a máxima temperatura de la plancha en su alojamiento, puede provocar alteraciones de color en el mismo, que no afectarán al buen funcionamiento del aparato.
- Para un correcto funcionamiento, mantener la suela bien lisa, no la aplique contra objetos metálicos (por ejemplo contra la tabla de planchar, botones, cremalleras...)
- Se recomienda el uso de agua destilada, especialmente si el agua de la que usted dispone contiene algún tipo de lodo o es del tipo "dura" (que contiene calcio o magnesio).
- Comprobar que la tapa esté perfectamente cerrada antes de poner en marcha el aparato.
- No dejar nunca el aparato conectado y sin vigilancia. Además ahorrará energía y prolongará la vida del aparato.
- No dejar el aparato en marcha reposando encima de una superficie.
- No utilizar el aparato sobre ninguna parte del cuerpo de una persona o animal.
- No usar el aparato para secar prendas textiles de ningún tipo.
- Colocar el mando termostato a la posición de mínimo (MIN), no garantiza la desconexión permanente del aparato.

Servicio

Toda utilización inadecuada, o en desacuerdo con las instrucciones

de uso, puede comportar peligro, anulando la garantía y la responsabilidad del fabricante.

Descripción

- A – Botón spray
- B – Botón golpe de vapor
- C – Control regulador de vapor
- D – Botón autolimpieza
- E – Regulador de temperatura
- F – Piloto luminoso
- G – Boca de llenado
- H – Boquilla spray
- I – Suela

Caso de que su modelo de aparato no disponga de los accesorios descritos anteriormente, éstos también pueden adquirirse por separado en los Servicios de Asistencia Técnica.

Modo de empleo

NOTAS PREVIAS AL USO

- Asegúrese de que ha retirado todo el material de embalaje del producto.
- Algunas partes del aparato han sido ligeramente engrasadas, en consecuencia al poner en marcha el aparato por primera vez puede desprender un ligero humo. Al cabo de poco tiempo este humo cesará.

LLENADO DE AGUA

- Es imprescindible el haber llenado el depósito con agua para poder realizar operaciones con vapor.

- Abrir la tapa de la boca de llenado.
- Llenar el depósito respetando el nivel MAX (Fig.1).
- Cerrar la tapa de la boca de llenado.

USO

- Extender completamente el cable antes de enchufar.
- Enchufar el aparato a la red eléctrica.
- Girar el mando termostato hasta situarlo en la posición que corresponda a la temperatura deseada.
- No usar temperaturas más altas que las indicadas en la/s prenda/s a tratar.
 - Temperatura para fibras sintéticas (Polyester, Nylon...) y seda.
 - Temperatura para lana.
 - Temperatura para algodón. (Mínima temperatura para planchar con vapor)
 - MAX Temperatura para lino.
- Si la composición del tejido contiene varios tipos de fibras, debe seleccionarse la temperatura correspondiente a la fibra que requiera una temperatura más baja. (Por ejemplo para un tejido que contenga 60% de polyester y 40% de algodón, debe seleccionarse la temperatura correspondiente al polyester).
- Esperar a que el piloto luminoso (F) se desconecte, lo que señalará que el aparato ha alcanzado la temperatura adecuada.

- Durante el uso del aparato el piloto luminoso (F) se conectará y desconectará de forma automática, indicado de este modo el funcionamiento de los elementos calefactores para mantener la temperatura deseada.

PLANCHADO EN SECO

- El aparato dispone de un regulador de flujo de vapor que situado en la posición 1, permite planchar en seco (sin vapor).

PLANCHADO CON VAPOR

- Es posible planchar con vapor siempre que el depósito disponga de agua y la temperatura seleccionada sea la adecuada.

CONTROL DEL FLUJO DE VAPOR

- El aparato dispone del mando (C) que permite regular el flujo de vapor.

SPRAY

- El spray puede usarse tanto en planchado en seco como en vapor.
- Pulsar el botón spray (A) para efectuar esta operación.
- Se requieren repetidas pulsaciones para iniciar por primera vez esta función.

GOLPE DE VAPOR

- Esta función proporciona vapor extra para eliminar arrugas rebeldes.
- Pulsar el botón de golpe de vapor (B). Esperar unos segundos a que el vapor penetre en las fibras de

la prenda antes de volver a pulsar nuevamente. Para una óptima calidad del vapor no aplicar más de tres pulsaciones sucesivas cada vez.

- Se requieren repetidas pulsaciones para iniciar por primera vez esta función.

PLANCHADO EN VERTICAL

- Es posible planchar cortinas colgadas, prendas de vestir en su propia percha, etc. Para hacerlo proceder de la siguiente manera:
 - Seleccionar la máxima temperatura de la plancha, girando en el sentido horario el regulador de temperatura de la plancha. (Fig.2)
 - Pasar la plancha de arriba abajo pulsando el mando vapor (B). Importante: para el algodón y el lino se aconseja poner la base de la plancha en contacto con el tejido. Para otros tejidos más delicados se aconseja tener la base de la plancha a unos centímetros de distancia.

UNA VEZ FINALIZADO EL USO DEL APARATO

- Seleccionar la posición de mínimo (MIN) mediante el mando selector de temperatura.
- Desenchufar el aparato de la red eléctrica.
- Retirar el agua del interior del aparato.
- Limpiar el aparato.

Limpieza

- Desenchufar el aparato de la red y dejarlo enfriar antes de iniciar cualquier operación de limpieza.
- Limpiar el aparato con un paño húmedo impregnado con unas gotas de detergente y secarlo después.
- No utilizar disolventes, ni productos con un factor pH ácido o básico como la lejía, ni productos abrasivos, para la limpieza del aparato.
- No sumergir el aparato en agua u otro líquido, ni ponerlo bajo el grifo.

FUNCIÓN AUTOLIMPIEZA

- Es importante realizar la función autolimpieza al menos una vez al mes para eliminar los restos de cal y otros minerales acumulados en el interior del aparato.
- Llenar el depósito hasta su nivel máximo, tal como se indica en el apartado de "llenado de agua"
- Colocar la plancha en posición vertical, conectar a la red y seleccionar la máxima temperatura.
- Dejar que el aparato se caliente hasta que el piloto indique que se ha llegado a la temperatura consignada.
- Desenchufar la el aparato y colocarlo en el fregadero
- Accionar el botón de autolimpieza, y mantenerlo pulsado.
- Permitir que el agua salga a través de las salidas de vapor de la suela, mientras se agita ligeramente el aparato.

- Soltar el botón de autolimpieza tras un minuto o cuando el depósito se vacíe.
- Dejar la plancha en posición vertical hasta que se enfríe.

TRATAMIENTO DE LAS INCRUSTACIONES CALCÁREAS

- Para un perfecto funcionamiento del aparato, éste deberá estar libre de incrustaciones de cal o magnesio, originadas por el uso de aguas de alta dureza.
- Para evitar este tipo de problema se recomienda el uso de aguas de baja mineralización calcárea o magnésica.
- No se recomiendan soluciones caseras, tal como el uso de vinagre, en los tratamientos de descalcificación del aparato.

Anomalías y reparación

En caso de avería llevar el aparato a un Servicio de Asistencia Técnica autorizado. No intente desmontarlo o repararlo ya que puede existir peligro.

Para las versiones UE del producto y/o en el caso de que en su país aplique:

ECOLOGÍA Y RECICLABILIDAD DEL PRODUCTO

- Los materiales que constituyen el envase de este aparato, están integrados en un sistema de

recogida, clasificación y reciclado de los mismos. Si desea deshacerse de ellos, puede utilizar los contenedores públicos apropiados para cada tipo de material.

- El producto está exento de concentraciones de sustancias que se puedan considerar dañinas para el medio ambiente.



- Este símbolo significa que si desea deshacerse del producto, una vez

transcurrida la vida del mismo, debe depositarlo por los medios adecuados a manos de un gestor de residuos autorizado para la recogida selectiva de Residuos de Aparatos Eléctricos y Electrónicos (RAEE).

Este aparato cumple con la Directiva 2014/35/EU de Baja Tensión, con la Directiva 2014/30/EU de Compatibilidad Electromagnética, con la Directiva 2011/65/EU sobre restricciones a la utilización de determinadas sustancias peligrosas en aparatos eléctricos y electrónicos y con la Directiva 2009/125/EC sobre los requisitos de diseño ecológico aplicable a los productos relacionados con la energía.

Garantía y asistencia técnica

Este producto goza del reconocimiento y protección de la garantía legal de conformidad con

la legislación vigente. Para hacer valer sus derechos o intereses debe acudir a cualquiera de nuestros servicios de asistencia técnica oficiales. Podrá encontrar el más cercano accediendo al siguiente enlace web:

www.mellerware.com

También puede solicitar información relacionada poniéndose en contacto con nosotros por el teléfono que aparece al final de este manual. Puede descargar este manual de instrucciones y sus actualizaciones en www.mellerware.com

Cher client,

Nous vous remercions d'avoir acheté un produit Mellerware. Sa technologie, son design et sa fonctionnalité, outre sa parfaite conformité aux normes de qualité les plus strictes, vous permettront d'en tirer une longue et durable satisfaction.

Conseils et avertissements de sécurité

- 1.** Lire attentivement cette notice d'instructions avant de mettre l'appareil en marche, et la conserver pour la consulter ultérieurement. Le non-respect de ces instructions peut être source d'accident.
- 2.** L'appareil doit être utilisé et placé sur une surface plane et stable.
- 3.** Lorsque vous poserez l'appareil sur son socle, veuillez-vous assurer que la surface de la base soit stable.
- 4.** Ne pas laisser le fer à repasser sans surveillance lorsqu'il est branché.
- 5.** Cet appareil peut être utilisé par des personnes non familiarisées avec son fonctionnement, des personnes handicapées ou des enfants âgés de plus de 8 ans, et ce, sous la surveillance d'une personne responsable ou après avoir reçu la formation nécessaire sur le fonctionnement sûr de l'appareil et en comprenant les dangers qu'il comporte.
- 6.** Les enfants ne doivent pas réaliser les opérations de nettoyage ou de maintenance de l'appareil sans la supervision d'un adulte.
- 7.** Conserver l'appareil hors de portée des enfants âgés de moins de 8 ans.
- 8.** Cet appareil n'est pas un jouet. Les enfants doivent être surveillés pour s'assurer qu'ils ne jouent pas avec l'appareil.
- 9.** Ne pas utiliser l'appareil s'il est tombé, s'il y a des signes visibles de dommages ou en cas de fuite.



- Quand l'appareil est mis en marche, la température des surfaces accessibles peut être élevée.

10. Si la prise du secteur est abîmée, elle devra être remplacée par un Service d'Assistance Technique agréé. Ne pas tenter de procéder aux réparations ou de démonter l'appareil; cela implique des risques.

11. Cet appareil est uniquement destiné à un usage domestique et non à un usage professionnel ou industriel.

12. Débrancher l'appareil du secteur avant de remplir le réservoir d'eau.

- Avant de raccorder l'appareil au secteur, s'assurer que le voltage indiqué sur la plaque signalétique correspond à celui du secteur.
- Raccorder l'appareil à une prise pourvue d'une fiche de terre et supportant au moins 16 ampères.
- La prise de courant de l'appareil doit coïncider avec la base de la prise de courant. Ne jamais modifier la prise de courant. Ne pas utiliser d'adaptateur de prise de courant.
- Pour éviter les phénomènes dans le réseau électrique, il est recommandé de connecter l'appareil à une impédance maximale de 0,27 Ω . Pour toute question, consultez votre fournisseur d'électricité.
- Ne pas exposer l'appareil aux intempéries.
- Ne pas exposer l'appareil à la pluie ou à un environnement humide. L'eau qui entre dans l'appareil augmente le risque de décharge électrique.
- Ne pas forcer le câble électrique de connexion. Ne jamais utiliser le câble électrique pour lever, transporter ou débrancher l'appareil.
- Ne pas enrouler le câble électrique autour de l'appareil.
- Éviter que le câble électrique de connexion ne se coince ou ne s'emmêle.
- Ne pas laisser le câble de connexion suspendu à la table ou entrer en contact avec les surfaces chaudes de l'appareil.
- Vérifier l'état du câble électrique de connexion. Les câbles endommagés ou emmêlés augmentent le risque de choc électrique.
- Ne pas toucher la prise de raccordement avec les mains mouillées.
- Ne pas utiliser l'appareil si son câble électrique ou sa prise est endommagé.
- Si une des enveloppes protectrices de l'appareil se rompt, débrancher immédiatement l'appareil du

secteur pour éviter tout choc électrique.

- Éviter de toucher les parties chauffantes de l'appareil en raison du risque de brûlure.

UTILISATION ET ENTRETIEN

- Avant chaque utilisation, dérouler complètement le câble électrique de l'appareil.
- Ne pas utiliser l'appareil si les accessoires qui lui sont assemblés présentent des défauts. Si c'est le cas, les remplacer immédiatement.
- Ne pas utiliser l'appareil si son dispositif de mise en marche/arrêt ne fonctionne pas.
- Ne pas utiliser l'appareil si l'un des dispositifs de mise en marche/arrêt ne fonctionne pas.
- Utiliser les poignées pour prendre ou transporter l'appareil.
- Ne pas utiliser l'appareil en position inclinée, ni le retourner.
- Pour conserver le traitement antiadhésif en bon état, ne pas utiliser d'ustensiles métalliques ou pointus.
- Respecter le niveau MAX. (Fig.1).
- Débrancher l'appareil du secteur quand il n'est pas utilisé et avant de procéder à toute opération de nettoyage.
- Conserver cet appareil hors de portée des enfants ou des personnes avec capacités physiques, sensorielles ou mentales réduites ou présentant un manque d'expérience et de connaissances
- Ne pas transporter l'appareil s'il est encore chaud.
- La permanence prolongée du fer dans son logement et à température maximale, peut provoquer une altération de sa couleur, qui n'affecte pas le fonctionnement de l'appareil.
- Pour un fonctionnement correct, maintenir la semelle bien propre, ne l'appliquez pas sur des objets métalliques (par exemple, la planche à repasser, boutons, fermetures éclair, etc.)
- L'usage d'eau distillée est spécialement recommandé, si l'eau à disposition est boueuse ou du type « dure » (contenant du calcium ou du magnésium).
- Vérifier que le couvercle est parfaitement fermé avant de mettre en marche l'appareil.
- Ne jamais laisser l'appareil sans surveillance lorsqu'il est branché. Ceci permettra également de réduire sa consommation d'énergie et de prolonger sa durée de vie.
- Ne pas laisser l'appareil en marche posé sur une surface.
- Ne pas utiliser l'appareil sur une partie du corps d'une personne ou d'un animal.
- Ne pas utiliser l'appareil pour sécher des vêtements.
- Mettre le thermostat sur la position minimum (MIN) ne garantit pas l'arrêt complet de l'appareil.

Entretien

Toute utilisation inappropriée ou non conforme aux instructions d'utilisation annule la garantie et la responsabilité du fabricant.

Description

- A – Bouton spray
- B – Bouton coup de vapeur
- C – Contrôle du débit de vapeur
- D – Bouton auto-nettoyage
- E – Sélecteur de température
- F – Voyant lumineux
- G – Orifice de remplissage d'eau
- H – Buse de vaporisation
- I – Semelle

Si votre modèle ne dispose pas des accessoires précédemment décrits, ceux-ci peuvent être achetés séparément auprès des services d'assistance technique.

Mode d'emploi

REMARQUES AVANT UTILISATION

- Veiller à retirer tout le matériel d'emballage du produit.
- Certaines parties d'appareil ayant été légèrement graissées, il est possible qu'il dégage un peu de fumée lors de la première utilisation. En peu de temps, la fumée cessera.

REPLISSAGE D'EAU

- Il est indispensable de remplir le réservoir avec de l'eau afin de

pouvoir réaliser des opérations avec vapeur.

- Ouvrir le couvercle du bec de remplissage.
- Remplir le réservoir avec une quantité d'eau respectant le niveau MAX (Fig.1).
- Fermer le couvercle du bec de remplissage.

UTILISATION

- Dérouler complètement le câble avant de le brancher.
- Brancher l'appareil au secteur.
- Tourner le thermostat jusqu'à le situer sur la position de la température désirée.
- Ne pas utiliser des températures plus élevées que celles qui sont indiquées sur les vêtements à traiter.
 - Température pour les fibres synthétiques (Polyester, Nylon...) et soie.
 - Température pour la laine.
 - Température pour le coton.
 (Température minimum pour repasser à vapeur)
 MAX Température pour le lin.
- Si la composition du tissu contient différents types de fibres, veuillez sélectionner la température correspondante à la fibre qui requiert une température moins élevée. (Par exemple pour un tissu qui contient 60% de polyester et 40% de coton, la température à choisir est celle qui correspond au polyester).
- Attendre que le témoin lumineux (F) s'éteigne, ce qui signifiera que

l'appareil a atteint la température adéquate.

- Lorsque l'appareil sera en marche, le voyant lumineux (F) s'allumera et s'éteindra automatiquement, en indiquant ainsi le bon fonctionnement des parties chauffantes pour maintenir la température désirée.

REPASSAGE À SEC

- L'appareil dispose d'une commande réglant le flux de vapeur qui permet, lorsqu'elle est placée sur la position 1, de repasser à sec (sans vapeur).

REPASSAGE À LA VAPEUR

- Pour repasser avec vapeur, veuillez vérifier que le réservoir soit plein et que la température sélectionnée soit l'adéquate.

CONTRÔLE DU FLUX DE VAPEUR

- L'appareil dispose de la commande (C) qui permet de contrôler le flux de vapeur.

SPRAY

- Le spray peut s'utiliser tant pour le repassage à sec comme à vapeur.
- Pour réaliser cette opération, appuyer sur le bouton spray(A)
- La première fois, enfoncer à plusieurs reprises le bouton spray.

JET DE VAPEUR

- Cette fonction proportionne une vapeur extra pour éliminer les plis rebelles.

- Appuyer sur le bouton coup de vapeur (B). Attendre quelques secondes afin que la vapeur pénètre dans les fibres du vêtement, ceci avant d'appuyer de nouveau. Pour obtenir la meilleure qualité de vapeur, ne pas appliquer plus de trois pulsations successives chaque fois.
- La première fois, enfoncer à plusieurs reprises le bouton spray.

REPASSAGE VERTICAL

- Il est possible de repasser des rideaux suspendus, des vêtements sur cintres, etc. Pour ce faire, suivre les conseils suivants:
 - Sélectionner la température maximale du fer à repasser, en tournant en sens horaire le régulatrice de température du fer à repasser. (Fig.2).
 - Passer le fer à repasser de haut en bas en appuyant sur le bouton vapeur (B). Important: pour le coton et le lin, nous vous conseillons de mettre en contact la base du fer à repasser avec le tissu. Pour les tissus plus délicats, nous vous conseillons de l'éloigner quelques centimètres.

APRÈS UTILISATION DE L'APPAREIL

- Mettre le thermostat sur la position minimum (MIN).
- Débrancher l'appareil du secteur.
- Retirer l'eau du récipient.
- Nettoyer l'appareil

Nettoyage

- Débrancher l'appareil du secteur et attendre son refroidissement complet avant de le nettoyer.
- Nettoyer l'appareil avec un chiffon humide imprégné de quelques gouttes de détergent et le laisser sécher.
- Ne pas utiliser de solvants ni de produits au pH acide ou basique tels que l'eau de Javel, ni de produits abrasifs pour nettoyer l'appareil.
- Ne pas immerger l'appareil dans l'eau ou dans tout autre liquide, ni le passer sous un robinet.

FONCTION AUTONETTOYANTE

Il est important d'effectuer la fonction autonettoyante au moins une fois par mois, pour éliminer les résidus de calcaire et d'autres minéraux accumulés dans l'appareil. Remplir le réservoir jusqu'au niveau maximum, comme il est indiqué dans le paragraphe "remplissage d'eau". Placer le fer en position verticale, le brancher au réseau et sélectionner la température maximale. Laisser l'appareil se réchauffer jusqu'à ce que le voyant indique qu'il est arrivé à la température prévue. Débrancher l'appareil et le placer dans l'évier. Appuyer sur le bouton d'auto-nettoyage et le maintenir appuyé. Permettre que l'eau puisse couler à travers les sorties de vapeur de la semelle, tout en agitant légèrement l'appareil.

Lâcher le bouton d'auto-nettoyage après une minute ou lorsque le réservoir sera vide.

Laisser le fer en position verticale jusqu'à ce qu'il se refroidisse.

TRAITEMENT DES INCRUSTATIONS DE TARTRE

Pour un parfait fonctionnement de l'appareil, celui-ci doit être libre de toute incrustation de calcaire ou magnésium résultant de l'utilisation d'eau trop dure.

Pour éviter ce type de problème, il est recommandé d'utiliser des eaux faibles en minéraux calcaires ou en magnésium.

Les solutions maison, comme l'utilisation de vinaigre, pour les traitements de détartrage de l'appareil, ne sont pas recommandées.

Anomalies et réparation

En cas de panne, remettre l'appareil à un service d'assistance technique agréé. Ne pas tenter de procéder aux réparations ou de démonter l'appareil; cela implique des risques.

**Pour les versions UE
du produits et/ou en
fonction de la législation
du pays d'installation:**

**ÉCOLOGIE ET RECYCLAGE
DU PRODUIT**

- Les matériaux constituant l'emballage de cet appareil font partie d'un programme de collecte, de tri et de recyclage. Si vous souhaitez vous défaire du produit, merci de bien vouloir utiliser les conteneurs publics appropriés à chaque type de matériau.
- Le produit ne contient pas de substances concentrées susceptibles d'être considérées comme nuisibles à l'environnement.



- Ce symbole signifie que si vous souhaitez vous débarrasser de l'appareil, en fin de vie utile, celui-ci devra être consigné, en prenant les mesures adaptées, à un centre agréé de collecte sélective des déchets d'équipements électriques et électroniques (DEEE).

Cet appareil est certifié conforme à la Directive 2014/35/CE de Basse Tension, de même qu'à la Directive 2014/30/CE en matière de Compatibilité Électromagnétique, à la Directive 2011/65/CE relative à la limitation d'utilisation de certaines substances dangereuses dans les équipements électriques et électroniques et à la Directive 2009/125/CE sur les conditions

de conception écologique applicables aux produits faisant usage d'énergie.

**Garantie et
assistance technique**

Ce produit est reconnu et protégé par la garantie établie conformément à la législation en vigueur. Pour faire valoir vos droits ou intérêts, vous devrez vous adresser à l'un de nos services d'assistance technique agréés. Pour savoir lequel est le plus proche, vous pouvez accéder au lien suivant: www.mellerware.com Vous pouvez également demander des informations connexes en nous contactant au numéro de téléphone figurant à la fin de ce manuel. Vous pouvez télécharger ce manuel d'instructions et ses mises à jour sur www.mellerware.com

Prezado cliente:

Obrigado por ter adquirido um eletrodoméstico da marca Mellerware.

A sua tecnologia, design e funcionalidade, aliados às mais rigorosas normas de qualidade, garantir-lhe-ão uma total satisfação durante muito tempo.

Conselhos e advertências de segurança

- 1.** Leia atentamente este manual de instruções antes de ligar o aparelho e guarde-o para consultas futuras. A não observância e cumprimento destas instruções pode resultar em acidente.
- 2.** O aparelho deve ser utilizado e colocado sobre uma superfície plana e estável.
- 3.** Quando colocar o aparelho no suporte, certifique-se de que a superfície sobre a qual se coloca o suporte é estável.
- 4.** Não deixe o ferro sem vigilância quando estiver ligado à alimentação.
- 5.** Este aparelho pode ser utilizado por pessoas não familiarizadas com a sua utilização, pessoas incapacitadas ou crianças a partir dos 8 anos, desde que o façam sob supervisão ou tenham recebido formação sobre a utilização segura do aparelho e compreendam os perigos que este acarreta.
- 6.** As crianças não devem realizar operações de limpeza ou manutenção do aparelho, a menos que se encontrem sob a supervisão de um adulto.
- 7.** Guarde o aparelho fora do alcance de crianças menores de 8 anos.
- 8.** Este aparelho não é um brinquedo. As crianças devem ser vigiadas para garantir que não brincam com o aparelho.
- 9.** Não utilize o aparelho se este caiu e se existirem sinais visíveis de danos ou de fuga.



- A temperatura das superfícies acessíveis pode aumentar quando o aparelho está em funcionamento.

10. Se a ligação à corrente estiver danificada, deverá ser substituída. Leve o aparelho a um Serviço de Assistência Técnica autorizado. A fim de evitar o perigo, não tente desmontá-lo ou repará-lo sozinho.

11. Este aparelho foi concebido exclusivamente para uso doméstico, não para uso profissional ou industrial.

12. Desligue o aparelho da corrente antes de encher o depósito de água.

- Antes de ligar o aparelho à corrente, verifique se a tensão indicada na placa de características corresponde à tensão da rede.
- Ligue o aparelho a uma tomada de corrente com ligação a terra e que suporte 16 amperes.
- A ficha do aparelho deve coincidir com a tomada de corrente elétrica. Nunca modifique a ficha. Não use adaptadores de ficha.
- Para evitar fenômenos na rede elétrica, recomenda-se que o dispositivo seja conectado a uma impedância máxima de 0,27 Ω . Para qualquer dúvida, consulte sua companhia elétrica.
- Não utilize nem guarde o aparelho ao ar livre.
- Não exponha o aparelho à chuva ou a condições de humidade. A água que entrar no aparelho aumentará o risco de choque elétrico.
- Não force o cabo elétrico. Nunca utilize o cabo de alimentação para levantar, transportar ou desligar o aparelho da corrente.
- Não enrole o cabo no aparelho.
- Não deixe que o cabo elétrico fique preso ou dobrado.
- Evite que o cabo elétrico entre em contacto com as superfícies quentes do aparelho.
- Verifique o estado do cabo de elétrico. Os cabos danificados ou entrelaçados aumentam o risco de choque elétrico.
- Não toque na ficha de ligação com as mãos molhadas.
- Não utilize o aparelho se tiver o cabo elétrico ou a ficha danificados.
- Se algum dos revestimentos do aparelho se partir, desligue imediatamente o aparelho da corrente para evitar a possibilidade de sofrer um choque elétrico.
- Não toque nas partes quentes do aparelho, uma vez que podem provocar queimaduras graves.

UTILIZAÇÃO E CUIDADOS

- Antes de cada utilização, desenrole completamente o cabo de alimentação do aparelho.
- Não utilize o aparelho se os acessórios ou consumíveis acoplados ao mesmo apresentarem defeitos. Substitua-os imediatamente.
- Não utilize o aparelho se o dispositivo de ligar/desligar não funcionar.
- Não utilize o aparelho se algum dos dispositivos de ligar/desligar não funcionarem.
- Utilize a(s) pega(s) para segurar ou transportar o aparelho.
- Não utilize o aparelho inclinado ou invertido.
- Para manter o tratamento antiaderente em bom estado, não utilize utensílios metálicos ou objetos de corte sobre o mesmo.
- Respeite a indicação do nível MAX. (Fig.1)
- Desligue o aparelho da corrente quando não estiver a ser utilizado e antes de iniciar qualquer operação de limpeza.
- Este aparelho não está destinado a pessoas (incluindo crianças) que apresentem capacidades físicas, sensoriais ou mentais reduzidas, ou com falta de experiência e conhecimento.
- Não guarde nem desloque o aparelho se ainda estiver quente.
- A permanência prolongada do ferro no respectivo alojamento, à temperatura máxima, pode provocar alterações de cor no mesmo, que não afetarão o bom funcionamento do aparelho.
- Para um funcionamento correto, mantenha a base bem lisa e não a utilize em objetos metálicos (por exemplo, contra a tábua de engomar, botões, fechos de correr, etc.)
- Recomenda-se a utilização de água destilada, especialmente se a água que dispõe contém algum tipo de sujidade ou é do tipo "dura" (contém cálcio ou magnésio).
- Certifique-se de que a tampa está perfeitamente fechada antes de ligar o aparelho. Nunca deixe o aparelho ligado e sem vigilância. Além disso, poupará energia e prolongará a vida do aparelho.
- Não deixe o aparelho em funcionamento em cima de uma superfície.
- Não utilize o aparelho sobre nenhuma parte do corpo de uma pessoa ou animal.
- Não utilize o aparelho para secar peças de vestuário.
- Colocar o termóstato na posição de mínimo (MIN) não garante que o aparelho fique totalmente desligado.

Serviço

Qualquer utilização inadequada ou em desacordo com as instruções de utilização pode ser perigosa e anula a garantia e a responsabilidade do fabricante.

Descrição

- A – Botão de spray
- B – Botão de golpe de vapor
- C – Regulador de vapor
- D – Botão de auto limpeza
- E – Regulador da temperatura
- F – Luz-piloto
- G – Boca de enchimento
- H – Bocal de spray
- I – Base

Caso o seu modelo do aparelho não disponha dos acessórios descritos anteriormente, pode adquiri-los separadamente nos Serviços de Assistência Técnica.

Modo de utilização

NOTAS PARA ANTES DA UTILIZAÇÃO

- Certifique-se de que retirou todo o material de embalagem do produto.
- Aquando da primeira utilização, o aparelho poderá libertar fumos devido ao facto de algumas partes do aparelho terem sido levemente lubrificadas. Pouco tempo depois o fumo desaparecerá.

ENCHIMENTO COM ÁGUA

- É imprescindível encher previamente o depósito com água para poder realizar operações com vapor.
- Abrir a tampa da boca de enchimento.
- Encher o depósito respeitando o nível MAX (Fig.1).
- Feche a tampa do bocal de enchimento.

UTILIZAÇÃO

- Desenrole completamente o cabo antes de o ligar à tomada.
- Ligue o aparelho à corrente elétrica.
- Rode o comando do termóstato até à posição correspondente à temperatura desejada.
- Não utilizar temperaturas mais elevadas do que as indicadas nos tecidos a engomar.
 - Temperatura para fibras sintéticas (Poliéster, Nylon, etc.) e seda.
 - Temperatura para lã.
 - Temperatura para algodão. (Temperatura mínima para engomar a vapor).
MAX Temperatura para linho.
- Se um tecido contém fibras mistas, seleccionar a temperatura correspondente à fibra que requer uma temperatura mais baixa. (Por exemplo, para um tecido que contenha 60% de poliéster e 40% de algodão, deve seleccionar-se a temperatura correspondente ao poliéster).
- Aguarde que a o indicador luminoso (F) se apague, facto que indicará que o aparelho atingiu a temperatura adequada.
- Durante a utilização do aparelho, o indicador luminoso (F) ligar-se-á e desligar-se-á de forma automática, indicando deste modo o funcionamento dos elementos de aquecimento para manter a temperatura pretendida.

ENGOMAR SEM VAPOR

- O aparelho dispõe de um comando regulador de fluxo de vapor que, quando está situado na posição 1, permite passar a seco (sem vapor).

ENGOMAR A VAPOR

- É possível engomar a vapor sempre que o depósito contenha água e a temperatura selecionada seja a adequada.

CONTROLO DO FLUXO DE VAPOR

- O aparelho dispõe do comando (C) que permite regular o fluxo de vapor.

SPRAY

- O spray pode ser utilizado tanto na passagem a seco como na passagem a vapor.
- Pressionar o botão spray (A) para efetuar esta operação.
- É necessário premir várias vezes para iniciar pela primeira vez esta função.

GOLPE DE VAPOR

- Esta função proporciona vapor extra para eliminar as rugas mais fortes.
- Pressionar o botão de golpe de vapor (B). Esperar uns segundos para que o vapor penetre nas fibras da peça de vestuário antes de voltar a pressionar novamente.
- Para uma óptima qualidade do vapor não aplicar mais de três pressões sucessivas de cada vez.

- É necessário premir várias vezes para iniciar pela primeira vez esta função.

PASSAGEM A FERRO NA VERTICAL

- É possível passar a ferro cortinas que se encontram no seu lugar, vestuário no seu próprio cabide, etc. Para o fazer, proceda da seguinte forma:
 - Selecione a temperatura máxima do ferro de engomar, rodando o seletor de temperatura do ferro para a direita. (Fig.2)
 - Passar o ferro de engomar de cima para baixo com o interruptor de vapor acionado (B). Importante: recomenda-se colocar a base do ferro em contacto com tecidos como o algodão e o linho. Para outros tecidos mais delicados recomenda-se situar a base do ferro de engomar a uns centímetros de distância.

UMA VEZ CONCLUÍDA A UTILIZAÇÃO DO APARELHO

- Selecione a posição mínima (MIN) através do comando seletor da temperatura.
- Desligue o aparelho da corrente elétrica.
- Retire a água do interior do aparelho.
- Limpe o aparelho.

Limpeza

- Desligue o aparelho da corrente e deixe-o arrefecer antes de iniciar qualquer operação de limpeza.
- Limpe o aparelho com um pano húmido com algumas gotas de detergente e seque-o de seguida.
- Não utilize solventes, produtos com um fator pH ácido ou básico como a lixívia, nem produtos abrasivos para a limpeza do aparelho.
- Nunca mergulhe o aparelho dentro de água ou em qualquer outro líquido, nem o coloque debaixo da torneira.

FUNÇÃO DE LIMPEZA AUTOMÁTICA

- É importante realizar a função auto limpeza pelo menos uma vez por mês, de forma a eliminar os restos de calcário e de outros minerais acumulados no interior do aparelho.
- Encher o depósito até ao nível máximo, conforme é indicado na secção "enchimento de água".
- Colocar o ferro de engomar na posição vertical, ligar a corrente e seleccionar a temperatura máxima.
- Deixar que o aparelho aqueça até a luz-piloto indicar que se atingiu a temperatura necessária.
- Desligar o aparelho e colocá-lo no lava-louças.
- Acionar o botão de auto limpeza e mantê-lo pressionado.
- Permitir que a água saia através das saídas de vapor da base, agitando ligeiramente o aparelho.

- Largar o botão de auto limpeza durante um minuto ou enquanto o depósito se esvazia.
- Deixar o ferro de engomar na posição vertical até arrefecer.

TRATAMENTO DAS INCRUSTAÇÕES CALCÁRIAS

- Para um perfeito funcionamento do aparelho, este deverá estar livre de incrustações de calcário ou magnésio, originadas pela utilização de água de elevada dureza.
- Para evitar este tipo de problema recomenda-se a utilização de água com baixa mineralização calcária ou magnésica.
- Não se recomendam soluções caseiras, como o uso de vinagre, nos tratamentos de descalcificação do aparelho.

Anomalias e reparação

Em caso de avaria leve o aparelho a um Serviço de Assistência Técnica autorizado. Não tente desmontar ou reparar o aparelho, já que tal poderá acarretar perigos.

Para as vesões UE do produto e/ou caso aplicável no seu país: ECOLOGIA E RECICLAGEM E DO PRODUTO

- Os materiais que constituem a embalagem deste aparelho estão integrados num sistema de recolha, classificação e reciclagem.

Se desejar eliminá-los, utilize os contentores de reciclagem colocados à disposição para cada tipo de material.

- O produto está isento de concentrações de substâncias que possam ser consideradas nocivas para o ambiente.



-Este símbolo significa que se desejar desfazer-se do produto depois de terminada a sua vida útil, deve entregá-lo através dos meios

adequados ao cuidado de um gestor de resíduos autorizado para a recolha seletiva de Resíduos de Equipamentos Elétricos e Eletrônicos (REEE).

Este aparelho cumpre a Diretiva 2014/35/CE de Baixa Tensão, a Diretiva 2014/30/UE de Compatibilidade Eletromagnética a Diretiva 2011/65/UE sobre restrições à utilização de determinadas substâncias perigosas em aparelhos elétricos e eletrônicos e a Diretiva 2009/125/CE sobre os requisitos de design ecológico aplicável aos produtos relacionados com a energia.

Garantia e assistência técnica

Este produto possui reconhecimento e proteção da garantia legal em conformidade com a legislação em vigor. Para fazer valer os seus direitos ou

interesses, deve recorrer sempre aos nossos serviços de assistência técnica oficiais. Poderá encontrar o mais próximo de si através do seguinte website:

www.mellerware.com

Pode também solicitar informação relacionada contactando-nos para o número de telefone que aparece no final deste manual.

Pode fazer o download deste manual de instruções e suas atualizações em

www.mellerware.com

Sehr geehrte Kunden,

Wir danken Ihnen für Ihre Entscheidung, ein Mellerware Gerät zu kaufen.

Technologie, Design und Funktionalität dieses Gerätes, in Kombination mit der Erfüllung der strengsten Qualitätsnormen, werden Ihnen lange Zeit viel Freude bereiten.

Ratschläge und Sicherheitshinweise

- 1.** Lesen Sie die Gebrauchsanweisung sorgfältig, bevor Sie das Gerät einschalten und bewahren Sie diese zum Nachschlagen zu einem späteren Zeitpunkt auf. Werden die Hinweise dieser Bedienungsanleitung nicht beachtet und eingehalten, kann es zu Unfällen kommen.
- 2.** Das Gerät muss auf einer ebenen und standfesten Oberfläche aufgestellt und benutzt werden.
- 3.** Bevor das Gerät in sein Gestell gestellt wird, vergewissern Sie sich, dass das Gestell auf einer stabilen Fläche steht.
- 4.** Lassen Sie das Gerät nicht unbeaufsichtigt, solange es an das elektrische Netz geschlossen ist.
- 5.** Personen, denen es an Wissen im Umgang mit dem Gerät mangelt, geistig behinderte Personen oder Kinder ab 8 Jahren dürfen das Gerät nur unter Aufsicht oder Anleitung über den sicheren Gebrauch des Gerätes benutzen, sofern sie die von dem Gerät ausgehenden Gefahren verstehen.
- 6.** Kinder dürfen keine Reinigungs- oder Instandhaltungsarbeiten am Gerät ausführen, sofern sie nicht von einem Erwachsenen beaufsichtigt werden.
- 7.** Das Gerät und sein Netzanschluss dürfen nicht in die Hände von Kindern unter 8 Jahren kommen.
- 8.** Dieses Gerät ist kein Spielzeug. Kinder müssen beaufsichtigt werden, damit sie nicht mit dem Gerät spielen.

9. Das Gerät nicht benutzen, wenn es heruntergefallen ist, sichtbare Schäden aufweist oder undicht ist.



- Die zugänglichen Oberflächen können sehr heiß werden, während das Gerät in Betrieb ist.

10. Wenn der Netzstecker beschädigt ist, muss er ausgetauscht werden. Bringen Sie das Gerät zu diesem Zweck zu einem zugelassenen Kundendienst. Um jegliche Gefahr auszuschließen, versuchen Sie nicht selbst, den Stecker abzumontieren und zu reparieren.

11. Dieses Gerät ist ausschließlich für den häuslichen Gebrauch ausgelegt und ist für professionelle oder gewerbliche Zwecke nicht geeignet.

12. Zum Auffüllen des Wassertanks das Gerät vom Stromnetz nehmen.

- Vergewissern Sie sich, dass die Spannung auf dem Typenschild mit der Netzspannung übereinstimmt, bevor Sie den Apparat an das Stromnetz anschließen.
- Das Gerät an einen Stromanschluss anschließen, der mindestens 16 Ampere liefert.
- Der Stecker des Geräts muss mit dem Steckdosentyp des Stromanschlusses übereinstimmen. Der Gerätestecker darf unter keinen Umständen modifiziert werden. Keine Adapter für den Stecker verwenden.
- Um Phänomene im Stromnetz zu vermeiden, wird empfohlen, das Gerät an eine maximale Impedanz von $0,27 \Omega$ anzuschließen. Bei Fragen wenden Sie sich an Ihr Elektrizitätsunternehmen.
- Das Gerät nicht im Freien benutzen oder aufbewahren.
- Das Gerät niemals Regen oder Feuchtigkeit aussetzen. Wasser, das eventuell in das Gerät gelangt, erhöht die Elektroschockgefahr.
- Nicht mit Gewalt am elektrischen Anschlusskabel ziehen. Benutzen Sie das elektrische Kabel nicht zum Anheben oder Transportieren des Geräts. Den Stecker nicht am Kabel aus der Dose ziehen.
- Kabel nicht um das Gerät rollen.
- Achten Sie darauf, dass das elektrische Kabel nicht getreten oder zerknittert wird.
- Achten Sie darauf, dass das elektrische Verbindungskabel nicht

mit heißen Teilen des Geräts in Kontakt kommt.

- Überprüfen Sie den Zustand des elektrischen Verbindungskabels. Beschädigte oder verwickelte Kabel erhöhen das Risiko von elektrischen Schlägen.
- Berühren Sie den Stecker nicht mit feuchten Händen.
- Das Gerät darf nicht mit beschädigtem elektrischem Kabel oder Stecker verwendet werden.
- Sollte ein Teil der Geräteverkleidung beschädigt sein, ist die Stromzufuhr umgehend zu unterbrechen, um einen möglichen elektrischen Schlag zu vermeiden.
- Die Heizteile des Gerätes nicht berühren, da sie schwere Verbrennungen verursachen können.

BENUTZUNG UND PFLEGE

- Vor jedem Gebrauch des Geräts das Stromkabel vollständig abwickeln.
- Gerät nicht benützen, wenn die Zubehörteile mangelhaft sind. Ersetzen Sie diese sofort.
- Benützen Sie das Gerät nicht, wenn der An-/Ausschalter nicht funktioniert.
- Benützen Sie das Gerät nicht, wenn der An-/Ausschalter nicht funktioniert.
- Verwenden Sie den / die Griff/e, um das Gerät zu heben oder zu tragen.
- Verwenden Sie das Gerät nicht im gekippten oder umgedrehten Zustand.
- Um die antihafthandelte Oberfläche nicht zu beschädigen,

keine metallischen oder spitzen Kochutensilien verwenden.

- Bitte beachten Sie die MAX-Füllmenge. (Fig.1)
- Ziehen Sie den Stecker heraus und lassen Sie das Gerät abkühlen, bevor Sie mit der Reinigung beginnen.
- Das Gerät außerhalb der Reichweite von Kindern und/oder Personen mit eingeschränkten körperlichen, sensorischen oder geistigen Fähigkeiten bzw. Personen ohne ausreichende Erfahrung und Kenntnisse aufbewahren.
- Das Gerät nicht wegräumen, wenn es noch heiß ist.
- Wenn sich das Bügeleisen längere Zeit bei höchster Temperatur auf der Abstellfläche befindet, kann diese ihre Farbe verändern. Dies beeinträchtigt nicht den Betrieb des Gerätes.
- Für einen korrekten Betrieb die Bügelsohle nicht beschädigen. Fahren Sie mit dem Bügeleisen nicht über Metallgegenständen (zum Beispiel Metall am Bügelbrett, Knöpfe, Reißverschlüsse usw.)
- Das Benutzen von destilliertem Wasser wird empfohlen, besonders wenn es sich beim verfügbaren Leitungswasser um jodhaltiges oder hartes Wasser (das Kalk oder Magnesium enthält) handelt.
- Überprüfen Sie vor Inbetriebnahme des Geräts, ob der Deckel vollständig geschlossen ist.
- Das Gerät nie am Stromnetz angeschlossen und ohne Aufsicht

lassen. Sie sparen dadurch Energie und verlängern die Gebrauchsdauer des Gerätes.

- Das Gerät nicht eingeschaltet lassen, wenn es auf einer Fläche abgestellt wird.
- Das Gerät nicht auf einem Köperteil einer Person oder einem Tier verwenden.
- Das Gerät nicht zum Trocknen von Textilien jeglicher Art verwenden.
- Die vollständige Abschaltung des Geräts wird nicht dadurch garantiert, dass der Temperaturregler auf der niedrigsten Position (MIN) steht.

Betrieb

Unsachgemäße Verwendung bzw. Nichteinhaltung der Gebrauchsanweisung kann Gefahren zur Folge haben und führt zum Erlöschen der Garantieansprüche sowie der Haftung des Herstellers.

Bezeichnung

- A – Spraytaste
- B – Dampfstoßtaste
- C – Dampfleistungsregler
- D – Selbstreinigungstaste
- E – Temperaturregler
- F – Leuchtanzeige
- G – Einfüllöffnung
- H – Spraydüse
- I – Sohle

Wenn Sie meinen, dass das Gerät nicht mit dem oben angeführten Zubehör ausgestattet ist, können Sie die Teile auch einzeln beim Technischen Dienst erwerben.

Benutzungshinweise

VOR DER BENUTZUNG

- Vergewissern Sie sich, dass Sie das gesamte Verpackungsmaterial des Produkts entfernt haben.
- Manche Teile des Bügeleisens wurden leicht eingefettet, weshalb das Bügeleisen bei der Erstanwendung ein bisschen dampfen kann. Nach kurzer Zeit wird dies aufhören.

MIT WASSER FÜLLEN

- Für den Gebrauch der Dampffunktion muss der Wassertank mit Wasser gefüllt sein.
- Die Verschlussklappe der Einfüllöffnung öffnen.
- Den Wassertank bis zur Markierung MAX füllen (Fig.1).
- Die Verschlussklappe der Einfüllöffnung schließen.

BENUTZUNG

- Vor Anschluss das Kabel völlig ausrollen.
- Schließen Sie das Gerät an das Stromnetz an.
- Den Temperaturregler drehen, bis er sich an der Position befindet, die der richtigen Temperatur entspricht.

- Keine höheren Temperaturen anwenden, als die, die bei dem(n) zu behandelnden Kleidungsstück(en) angegeben werden.
 - Temperatur für synthetische Fasern (Polyester, Nylon...) und Seide.
 - Temperatur für Wolle.
 - Temperatur für Baumwolle. (Mindesttemperatur, um mit Dampf zu bügeln)
 - MAX Temperatur für Flachs.
- Wenn die Zusammensetzung des Stoffes mehrere Sorten an Fasern beinhaltet, muss die entsprechende Temperatur der Faser ausgewählt, bei der die niedrigste Temperatur notwendig ist. (Wenn zum Beispiel ein Stoff zu 60% aus Polyester und 40% aus Baumwolle besteht, muss man die entsprechende Temperatur des Polyesters auswählen).
- Warten, bis die Kontrolllampe (F) erlischt, was darauf hinweist, dass das Gerät die geeignete Temperatur erreicht hat.
- Während des Gebrauchs des Geräts schaltet sich die Kontrollleuchte (F) automatisch ein und aus und zeigt so den Betrieb der Heizelemente an, um die gewünschte Temperatur aufrechtzuerhalten.

TROCKENBÜGELN

- Das Gerät ist mit einem Dampfregler (I) ausgestattet, der zum Trockenbügeln (ohne Dampf) auf die kleinste Stufe eingestellt wird.

BÜGELN MIT DAMPF

Das Bügeln mit Dampf ist stets möglich, soweit der Wassertank Wasser enthält und die richtige Temperatur eingestellt ist.

STEUERN DES DAMPFSTRAHLS

Das Gerät verfügt über einen Regler (C) mit dem der Dauerdampf variabel eingestellt werden kann.

SPRAY

- Die Sprayfunktion kann beim Bügeln mit und ohne Dampf benutzt werden.
- Für diesen Vorgang ist die Spraytaste (A) zu betätigen.
- Für die erste Benutzung der Sprayfunktion ist die Spraytaste mehrmals hintereinander zu drücken.

DAMPFSTOß

- Diese Funktion stellt extra viel Dampf für das Bügeln von hartnäckigen Falten zur Verfügung.
- Die Dampfstoßtaste drücken (B). Einige Sekunden warten, bis der Dampf in die Textile eingedrungen ist, bevor erneut die Taste betätigt wird. Für eine optimale Dampfqualität sollte die Dampfstoßtaste nicht mehr als dreimal hintereinander gedrückt werden.
- Für die erste Benutzung der Sprayfunktion ist die Spraytaste mehrmals hintereinander zu drücken.

SENKRECHTES BÜGELN

- Es ist möglich, aufgehängte Vorhänge, Kleidungsstücke am eigenen Kleiderbügel usw. zu bügeln. Gehen Sie dabei folgendermaßen vor:
 - Stellen Sie die höchste Temperatur am Bügeleisen ein, indem Sie den Temperaturregler des Bügeleisens im Uhrzeigersinndrehen. (Fig.2)
 - Das Bügeleisen von oben nach unten bewegen und dabei die Dampfstoßtaste gedrückt halten (B). Wichtig: für Baumwolle und Leinen ist es ratsam, dass die Bügelsohle Kontakt mit dem Stoff hat. Für empfindlichere Stoffe wird empfohlen, die Bügelsohle einige Zentimeter vom Bügelgut entfernt zu halten.

NACH DER BENUTZUNG DES GERÄTS

- Die Position Minimum (MIN) mittels des Temperaturreglers auswählen.
- Den Stecker aus der Netzdose ziehen.
- Gießen Sie das Wasser aus dem Topf.
- Das Gerät säubern

Reinigung

- Ziehen Sie den Stecker heraus und lassen Sie das Gerät abkühlen, bevor Sie mit der Reinigung beginnen.
- Reinigen Sie das Gerät mit einem feuchten Tuch, auf das Sie einige

Tropfen Reinigungsmittel geben und trocknen Sie es danach ab.

- Verwenden Sie zur Reinigung des Geräts weder Löse- oder Scheuermittel, noch Produkte mit einem sauren oder basischen pH-Wert wie z.B. Lauge.
- Das Gerät nicht in Wasser oder andere Flüssigkeiten tauchen und nicht unter den Wasserhahn halten.

FUNKTION AUTOMATISCHE REINIGUNG

- Es ist wichtig, diese automatische Reinigung mindestens ein Mal pro Monat durchzuführen, um Kalkreste und andere Mineralien, die sich im Gerät ansammeln, zu entfernen.
- Den Wassertank bis zur maximalen Füllmenge auffüllen, wie im Abschnitt „Mit Wasser füllen“ beschrieben ist.
- Das Bügeleisen senkrecht aufstellen, den Netzstecker anschließen und die höchste Temperatur einstellen.
- Warten, bis sich das Gerät erhitzt, und die grüne Warnlampe aufleuchtet, was darauf hinweist, dass die gewünschte Temperatur erreicht wurde.
- Den Netzstecker ziehen und das Gerät in den Spülbecken stellen.
- Die Selbstreinigungstaste betätigen und gedrückt halten.
- Lassen Sie das Wasser aus den Dampföffnungen an der Bügelsohle herauslaufen, während Sie das Bügeleisen leicht hin und her schwenken.

- Die Selbstreinigungstaste nach einer Minute loslassen oder wenn der Wassertank leer ist.
- Das Bügeleisen senkrecht aufstellen und abkühlen lassen.

BEHANDLUNG VON VERKRUSTETEN KALKABLAGERUNGEN

- Für den perfekten Betrieb ist das Gerät von Kalk- oder Magnesiumresten zu befreien, die sich durch besonders hartes Wasser ablagern.
- Um dies zu vermeiden empfiehlt sich der Gebrauch von Wasser mit geringem Kalk oder Magnesiumgehalt.
- Hausgemachte Lösungen, wie mit Essig zubereitete Flüssigkeiten, sind nicht zur Entkalkung des Geräts geeignet.

Störungen und reparatur

Bei Schäden und Störungen bringen Sie das Gerät zu einem zugelassenen Technischen Kundendienst. Versuchen Sie nicht, das Gerät selbst auseinanderzubauen und zu reparieren. Das könnte Gefahren zur Folge haben.

Für EU-Ausführungen des Produkts und/oder für Länder, in denen diese Vorschriften anzuwenden sind:

ÖKOLOGIE UND RECYCLING DES PRODUKTS

- Die zur Herstellung des Verpackungsmaterials dieses Geräts verwendeten Materialien Teil eines Sammel-, Klassifizierungs- und Recyclingsystems. Wenn Sie es entsorgen möchten, so können Sie die öffentlichen Container für die betreffenden Materialarten verwenden.
- Das Produkt ist frei von umweltschädlichen Konzentrationen von Substanzen.



- Dieses Symbol weist darauf hin, dass das Produkt, wenn Sie es am Ende seiner Lebensdauer entsorgen wollen, in geeigneter

Weise bei einer zugelassenen Entsorgungsstelle abzugeben ist, um die getrennte Sammlung von Elektro- und Elektronikgeräte-Abfall (WEEE) sicherzustellen.

Dieses Gerät erfüllt die Richtlinie 2014/35/EU über Niederspannung, die Richtlinie 2014/30/EU über elektromagnetische Verträglichkeit, die Richtlinie 2011/65/EU zur Beschränkung der Verwendung bestimmter gefährlicher Stoffe in Elektro- und Elektronikgeräten und die Richtlinie 2009/125/EG über die Anforderungen an die umweltgerechte Gestaltung energiebetriebener Produkte.

Garantie und technischer Service

Dieses Produkt ist von der gesetzlichen Garantie gemäss der geltenden Gesetzgebung geschützt. Um Ihre Rechte und Interessen geltend zu machen, müssen Sie eines unserer offiziellen Servicezentren aufsuchen. Über folgenden Link finden Sie ein Servicezentrum in Ihrer Nähe:
www.mellerware.com

Sie können auch Informationen einholen, indem Sie uns unter der am Ende dieses Handbuchs angegebenen Telefonnummer anrufen. Sie können dieses Benutzerhandbuch und seine Aktualisierungen unter www.mellerware.com

Gentile Cliente:

Le siamo grati per aver acquistato un elettrodomestico della marca Mellerware.

La sua tecnologia, il suo design e la sua funzionalità, oltre al fatto di aver superato le più rigorose norme di qualità, le assicureranno una totale soddisfazione durante molto tempo.

Consigli e avvertimenti di sicurezza

- 1.** Prima di utilizzare l'apparecchio, leggere attentamente le istruzioni riportate nel presente opuscolo e conservarlo per future consultazioni. La mancata osservanza delle presenti istruzioni può essere causa di incidenti.
- 2.** L'apparecchio deve essere collocato e utilizzato su una superficie piana e stabile.
- 3.** Se si colloca l'apparecchio su un supporto, assicurarsi che la superficie sulla quale appoggia il supporto sia stabile.
- 4.** Non lasciare l'apparecchio incustodito quando sia collegato alla rete di alimentazione elettrica.
- 5.** Questo apparato può essere utilizzato da persone che non ne conoscono il funzionamento, persone disabili o bambini di età superiore agli 8 anni, ma esclusivamente sotto la sorveglianza di un adulto o nel caso abbiano ricevuto le dovute istruzioni per utilizzarlo in completa sicurezza e ne comprendano i rischi.
- 6.** I bambini possono eseguire operazioni di pulizia o di manutenzione dell'apparecchio solo se sorvegliati da un adulto.
- 7.** Mantenere l'apparecchio e le parti per il collegamento alla rete elettrica fuori dalla portata di bambini minori di 8 anni.
- 8.** Questo apparecchio non è un giocattolo. Assicurarsi che i bambini non giochino con l'apparecchio.

9. Non usare l'apparecchio dopo una caduta, se presenta danni visibili o in presenza di qualsiasi perdita.



- Durante il funzionamento dell'apparecchio la temperatura delle superfici accessibili potrebbe arrivare ad essere elevata.

10. Se la connessione alla rete elettrica è danneggiata, è necessario sostituirla, rivolgendosi a un Centro di Assistenza Tecnica autorizzato. Non tentare di smontare o di riparare l'apparecchio.

11. Questo apparecchio è destinato unicamente ad un uso domestico, non professionale o industriale.

12. Scollegare l'apparecchio dalla rete prima di riempire il serbatoio d'acqua.

- Prima di collegare l'apparecchio alla rete elettrica, verificare che il voltaggio indicato sulla targhetta caratteristiche e il selettore

di voltaggio corrispondano al voltaggio della rete.

- Collegare l'apparecchio a una base dotata di messa a terra e che possa sostenere almeno 16 ampere.
- Verificare che la presa sia adatta alla spina dell'apparecchio. Non apportare alcuna modifica alla spina. Non usare adattatori.
- Per evitare fenomeni nella rete elettrica, si consiglia di collegare il dispositivo ad un'impedenza massima di 0,27 Ω . Per qualsiasi domanda, consultare la propria azienda elettrica.
- Non usare o esporre l'apparecchio alle intemperie.
- Non lasciare l'apparecchio sotto la pioggia o in luoghi umidi. Le infiltrazioni d'acqua aumentano il rischio di scariche elettriche.
- Non tirare il cavo elettrico. Non usare mai il cavo elettrico per sollevare, trasportare o scollegare l'apparecchio.
- Non avvolgere il cavo di alimentazione attorno all'apparecchio.
- Non lasciare che il cavo rimanga impigliato o attorcigliato.
- Non lasciare che il cavo di connessione penda dal tavolo o entri a contatto con le superfici calde dell'apparecchio.
- Controllare lo stato del cavo di alimentazione: I cavi danneggiati o attorcigliati aumentano il rischio di scariche elettriche.

- Non toccare mai la spina con le mani bagnate.
- Non utilizzare l'apparecchio se il cavo di alimentazione o la spina sono danneggiati.
- In caso di rottura di una parte dell'involucro esterno dell'apparecchio, scollegare immediatamente la spina dalla presa di corrente, al fine di evitare eventuali scariche elettriche.
- Non toccare le parti riscaldate dell'apparecchio perché potrebbero provocare gravi scottature.

PRECAUZIONI D'USO

- Prima di ogni utilizzo, svolgere completamente il cavo dell'apparecchio.
- Non utilizzare l'apparecchio se gli accessori presentano dei difetti. Sostituirli immediatamente.
- Non utilizzare l'apparecchio se il suo dispositivo di accensione/ spegnimento non funziona.
- Non utilizzare l'apparecchio se qualche dispositivo di avvio/ fermata non funziona.
- Utilizzare il manico/i per prendere o spostare l'apparecchio.
- Non utilizzare l'apparecchio inclinato, né capovolgerlo.
- Per conservare in buono stato il trattamento antiaderente, non utilizzare utensili metallici o appuntiti.
- Rispettare l'indicazione del livello MAX. (Fig.1)
- Scollegare la spina dalla presa di corrente quando l'apparecchio non è in uso e prima di eseguire qualsiasi operazione di pulizia.
- Conservare questo apparecchio fuori dalla portata dei bambini e/o persone con problemi fisici, mentali o di sensibilità o con mancanza di esperienza e conoscenza
- Non riporre, né trasportare l'apparecchio quando è ancora caldo.
- La permanenza prolungata del ferro da stiro nel suo alloggiamento a una temperatura massima può causare una variazione del colore dell'alloggio stesso che non altererà il buon funzionamento dell'apparecchio.
- Per un corretto funzionamento, mantenere la piastra liscia, non applicarla su oggetti metallici (per esempio sulla tavola da stiro, bottoni, cerniere...)
- Si consiglia l'uso di acqua distillata, specialmente se l'acqua di cui si dispone contiene qualche tipo di residuo o è del tipo "dura" (che contiene calcio o magnesio).
- Verificare che il coperchio sia perfettamente chiuso prima di mettere in funzione l'apparecchio.
- Non lasciare mai l'apparecchio collegato alla rete elettrica e senza controllo. Si risparmierà inoltre energia e si prolungherà la vita dell'apparecchio stesso.
- Non appoggiare l'apparecchio sopra una superficie quando è in funzione.

- Non utilizzare l'apparecchio su nessuna parte del corpo di persone o animali.
- Non utilizzare l'apparecchio per asciugare indumenti di alcun tipo. Regolare il comando termostato sulla posizione di minimo (MIN) non garantisce la sconnessione permanente dell'apparecchio.

Servizio

Il produttore invalida la garanzia e declina ogni responsabilità in caso di uso inappropriato dell'apparecchio o non conforme alle istruzioni d'uso.

Descrizione

- A – Tasto spray
- B – Tasto di spruzzo di vapore
- C – Controlli del regolatore di vapore
- D – Tasto pulizia automatica
- E – Controllo della temperatura
- F – Spia luminosa
- G – Apertura di riempimento
- H – Beccuccio spray
- I – Piastra

Se il modello del Suo apparecchio non fosse dotato degli accessori anteriormente elencati, può acquistarli separatamente presso i punti di assistenza tecnica autorizzati.

Modalità d'uso PRIMA DELL'USO

- Assicurarsi di aver rimosso dal prodotto tutto il materiale di imballaggio.
- Alcune parti dell'apparecchio sono state leggermente lubrificate pertanto potrebbe uscire del fumo quando si connette l'apparecchio per la prima volta. Dopo un certo tempo il fumo cessa di uscire.

RIEMPIMENTO D'ACQUA

- È imprescindibile riempire d'acqua il serbatoio per poter lavorare con il vapore.
- Aprire lo sportellino dell'apertura di riempimento.
- Riempire il serbatoio rispettando il livello MAX (Fig.1).
- Chiudere lo sportellino dell'apertura di riempimento.

USO

- Svolgere completamente il cavo prima di inserire la spina.
- Collegare l'apparecchio alla rete elettrica.
- Girare il termostato fino a collocarlo nella posizione corrispondente alla temperatura desiderata.
- Non usare temperature più alte di quelle indicate sul/i capo/i d'abbigliamento da trattare.
 - Temperatura per fibre sintetiche (Poliestere, Nylon...) e seta.
 - Temperatura per lana.

••• Temperatura per cotone.
(Temperatura minima per stirare a vapore).

MAX Temperatura per lino.

- Se la composizione del tessuto contiene diversi tipi di fibre, si deve selezionare la temperatura corrispondente alla fibra che richiede la temperatura più bassa. (Per esempio per un tessuto che contenga 60% di poliestere e 40% di cotone, si deve selezionare la temperatura corrispondente al poliestere).
- Aspettare che la spia luminosa (F) si sia spenta, cosa che indicherà che l'apparecchio ha raggiunto la temperatura adeguata.
- Durante l'utilizzo dell'apparecchio, la spia luminosa (F) si accenderà e si spegnerà automaticamente, indicando in questo modo il funzionamento degli elementi riscaldanti per mantenere la temperatura desiderata.

STIRATURA A SECCO

- L'apparecchio dispone di un comando che regola il flusso di vapore e che permette di stirare a secco (senza vapore) quando è posizionato in posizione 1.

STIRATURA A VAPORE

- È possibile stirare a vapore sempre che il serbatoio disponga d'acqua e la temperatura selezionata sia quella adeguata.

CONTROLLO DEL FLUSSO DI VAPORE

- L'apparecchio dispone del comando (C) che permette di regolare il flusso di vapore.

SPRAY

- Lo spray si può usare sia stirando a secco sia a vapore.
- Premere il tasto spray (A) per eseguire questa operazione.
- È necessario premere diverse volte per iniziare questa operazione per la prima volta.

SPRUZZO DI VAPORE

- Questa funzione fornisce una quantità extra di vapore per eliminare pieghe ribelli.
- Premere il tasto di spruzzo di vapore (B). Aspettare qualche secondo affinché il vapore penetri nel tessuto dell'indumento prima di premerlo nuovamente. Per una ottima qualità di vapore non applicare più di tre getti consecutivi per volta.
- È necessario premere diverse volte per iniziare questa operazione per la prima volta.

STIRATURA IN VERTICALE

- È possibile stirare tende appese, capi d'abbigliamento sull'appendino, ecc. Per far ciò, procedere come segue:
- Selezionare la temperatura massima del ferro da stiro, ruotando in senso orario il

regolatore della temperatura dell'apparecchio. (Fig. 2).

Passare il ferro da stiro dall'alto verso il basso con l'interruttore vapore azionato (B). Importante: per il cotone e il lino si consiglia di mettere la base del ferro da stiro a contatto con il tessuto. Per gli altri tessuti più delicati si consiglia di mantenere la base del ferroad alcuni centimetri di distanza.

UNA VOLTA CONCLUSO L'UTILIZZO DELL'APPARECCHIO

- Selezionare la posizione di minimo (MIN) mediante il selettore di temperatura.
- Scollegare l'apparecchio dalla rete.
- Ritirare l'acqua dall'interno dell'apparecchio.
- Pulire l'apparecchio.

Pulizia

- Scollegare la spina dalla rete elettrica e aspettare che l'apparecchio si raffreddi, prima di eseguirne la pulizia.
- Pulire il gruppo elettrico con un panno umido, quindi asciugarlo. Per la pulizia non impiegare solventi o prodotti a pH acido o basico, come la candeggina, né prodotti abrasivi.
- Non immergere l'apparecchio in acqua o altri liquidi, né lavarlo con acqua corrente.

FUNZIONE AUTOLAVAGGIO

- È importante eseguire la funzione autolavaggio almeno una volta

al mese per eliminare resti di calcio e altri minerali accumulatisi all'interno dell'apparecchio.

- Riempire il serbatoio fino al livello massimo come indicato nella sezione "riempimento d'acqua".
- Collocare il ferro da stiro in posizione verticale, collegare alla corrente elettrica e selezionare la temperatura massima.
- Lasciare che l'apparecchio si scaldi fino a quando la spia indica che ha raggiunto la temperatura selezionata.
- Staccare l'apparecchio dalla corrente e collocarlo nel lavandino.
- Azionare il tasto di autolavaggio e mantenerlo premuto.
- Lasciare che l'acqua esca per le aperture di uscita del vapore della piastra mentre si agita leggermente l'apparecchio.
- Rilasciare il tasto di autolavaggio dopo un minuto o quando il serbatoio si è svuotato.
- Lasciare il ferro da stiro in posizione verticale fino a quando non si sia raffreddato.

ELIMINAZIONE DELLE INCROSTAZIONI CALCAREE

- Per un corretto funzionamento dell'apparecchio, evitare la formazione di incrostazioni di calcio o magnesio causate dall'uso di acqua ad elevata durezza.
- A tal fine, si raccomanda l'uso di un'acqua a basso contenuto di sali di calcio e magnesio.

- Si consiglia di evitare rimedi fatti in casa, come l'uso dell'aceto.

Anomalie e riparazioni

In caso di guasto, rivolgersi ad un Centro d'Assistenza Tecnica autorizzato. Non tentare di smontare o di riparare l'apparecchio: può essere pericoloso.

Per i prodotti dell'Unione Europea e/o nel caso in cui sia previsto dalla legislazione del suo paese d'origine:

PRODOTTO ECOLOGICO E RICICLABILE

- I materiali che costituiscono l'imballaggio di questo apparecchio sono compresi in un sistema di raccolta, classificazione e riciclaggio degli stessi. Per lo smaltimento, utilizzare gli appositi contenitori pubblici, adatti per ogni tipo di materiale.
- Il prodotto non contiene concentrazioni di sostanze considerate dannose per l'ambiente.



- Questo simbolo indica che, per smaltire il prodotto al termine della sua durata utile, occorre depositarlo presso un ente

di smaltimento autorizzato alla raccolta differenziata di rifiuti di

apparecchiature elettriche ed elettroniche (RAEE).

Questo apparecchio rispetta la Direttiva 2014/35/UE di Bassa Tensione, la Direttiva 2014/30/UE di Compatibilità Elettromagnetica, la Direttiva 2011/65/UE sui limiti d'impiego di determinate sostanze pericolose negli apparecchi elettrici ed elettronici e la Direttiva 2009/125/CE riguardante l'Ecodesign dei prodotti che consumano energia.

Garanzia e assistenza tecnica

Questo prodotto possiede il riconoscimento e la protezione della garanzia legale di conformità con la legislazione vigente. Per far valere i suoi diritti o interessi, dovrà rivolgersi a uno qualsiasi dei nostri servizi ufficiali di assistenza tecnica. Può trovare il più vicino cliccando sul seguente link:

www.mellerware.com

Può anche richiedere informazioni a tale riguardo mettendosi in contatto con noi tramite il numero di telefono che appare alla fine di questo manuale. Può scaricare questo manuale di istruzioni e i suoi aggiornamenti da www.mellerware.com

Country	Address	Phone
Algeria	Zone d'Activite, n°62, Constantine	213770777756
Argentina	Av. del Libertador 1298, (B1638BEY), Vicente López (Pcia. Buenos Aires)	541153685223
Belgium	Mariëndonkstraat 5, 5154 EG, Elshout Benin 359 Av. Steinmetz, 1930, Cotonou	31620401500 0299-21313798
Bulgaria	265, Okolovrasten Pat, Mladost 4, 1766, Sofia	35929211120 35929211193
Burkina Faso	Avenue Bassawarga, 01 BP915, Ouagadougou	226 25301038
Congo (Republic of)	98 Blvd General Charles de Gaulle, Pointe Noire	242066776656
Cyprus	20, Bethlehem Str. / P.O.Box 20430, 2033, Strovolo	35722711300
Czech Republic	Milady Horakove 357/4, 568 02, Svitavy 4	20 461 540 130
Democratic Republic of the Congo	AV. Pont Canale N° 3440, Kinshasa	00243-991223232
Equatorial Guinea	SN Av Patricio Lumumba y C/ Jesus B, Bata	00240 333 082958 00240 333 082453
Equatorial Guinea	Calle de las Naciones Unidas, PO box 762, Malabo	240333082958 240333082453
España	Avda Barcelona, S/N, 25790 Oliana (Lleida) hi@mellerware.com	900828911

Country	Address	Phone
Ethiopia	Lideta Sub City Kebele 10 H.NO 124, Addis Ababa	+251 11 5518300
France	Za les bas musats 18, 89100, Malay-le-Grand	03 86 83 90 90
Gabon	BP 574, Port-Gentil Centre-ville	24101552689 24101560698
Ghana	Ederick Place, Accra-Ghana	302682448 302682404
Gibraltar	11 Horse Barrack Lane, 54000, Gibraltar	00350 200 75397 00350 200 41023
Greece	Sapfous 7-9, 10553, Athens	+30 21 0373 7000
Guinea	BP 206, GN, Conakry	(224) 622204545
Hong Kong	Unit H,13/F., World Tech Centre, Hong kong	(852) 2448 0116 9197 3519
Hungary	Késmárk utca 11-13, 1158, Budapest	+36 1 370 4519
India	C-175, Sector-63, Noida, Gautam Budh Nagar - 201301, Delh	(+91) 120 4016200
Ivory Coast	01 Rue Des Carrossiers-Zone 3, B.P 3747, Abidjan 01 (RCI)	22521251820 225 21 353494
Jordan	28 Basman St Down town, Amman	+962 6 46 222 68
Kuwait	P.O. BOX 3379 hawally, 32034, Hawally	+965 2200 1010
Lebanon	Damascus Highway; Sciale Building, Jamhour	9615922963

Country	Address	Phone
Luxembourg	Mariëndonkstraat 5, 5154 EG, Elshout	31620401500
Mali	BP E2900, Dravela Bolibana	223227216 / 223227259
Marruecos	Avenue 2 Mars, Résidence Nassrallah, Appt n° 2 1er, Casablanca	(+212) 522 86 30 95
Mauritania	134 Avenue Gamal Abdener llot D, Nouakchott	2225254469 / 2225251258
Mexico	Rosas Moreno N° 4-203 Colonia de San Rafael C.P. 06470 – Delegación Cuauhtémoc, Ciudad de México	(+52) 55 55468162
Montenegro	Rastovac bb, 81400, Niksic	+382 40 217 055
Netherlands	Mariëndonkstraat 5, 5154 EG, Elshout	31620401500
Nigeria	8, Isaac; John Str,G.R.A Ikeja Lagos	23408023360099
Paraguay	Denis Roa 155 c/ Guido Spano, Asunción	21665100
Peru	Calle los Negocios 428, Surquillo, Lima	(511) 421 6047
Portugal	Avenida Rainha D. Amélia, n°12-B, 1600-677, Lisboa	+351 210966324
Romania	Dudesti Pantelimon 23, 410554, Bucharest	031.805.49.58
Serbia	Rastovac bb, 81400, Niksic	+382 40 217 055

Country	Address	Phone
Slovakia	Milady Horakove 357/4, 568 02, Svitavy	420 461 540 130
Southafrica	Unit 25 & 26, San Croy Office Park, Die Agora Road, Croydon, Kempton Park, 1619, Johannesburg	(+27) 011 392 5652
Tunisia	2, Rue de Turquie, Tunis	21671333066
Ukraine	Block 6, Ap Housing Estate Topol-2, B, 49000, Dnepropetrovsk	380563704161 380563704161
United Arab Emirates	P.O.BOX 8543, Dubai	14506246200
Uruguay	Luis Alberto de Herrera 3468, 11600, Montevideo	598 2209 28 00
Vietnam	Lot 7 Ind. Zone for, Ha Noi	84437658111 84437658110





Durban

35 Adrain Road, Windermere
Durban, South Africa, 4001
Tel.: +27 31 303 3465
Fax: +27 31 303 8259

Johannesburg

Unit 25 & 26 San Croy office Park
Die Agora Road, Croydon, 1619
Tel.: +27 11 329 5652
Fax: +27 11 392 1694

creative housewares

20 Tekstiel St, Parrow. Cape Town. 7493, RSA
P.O. Box 6156 Parrow East, 7501, RSA.
Tel.: +27 21 931 8117 / Helpline: 086 111 5006
Tel.: +27 63 014 0457
Fax: +27 21 931 4058
www.creativehousewares.co.za

mellerware®

Engineering Technology for life, S.L.

Av. Barcelona, s/n
25790, Oliana – Lleida – Spain
www.mellerware.com