

mellerware®

Cheffy!

Vacuum and low temperature cooker

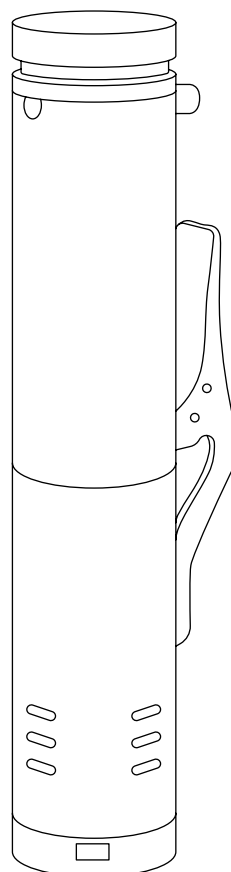
Aparato de cocción a baja temperatura

Appareil de cuisson à basse température

Máquina para cozer a baixas temperaturas

Schongarer zum Kochen bei niedriger Temperatur

Apparecchio di cottura a bassa temperatura



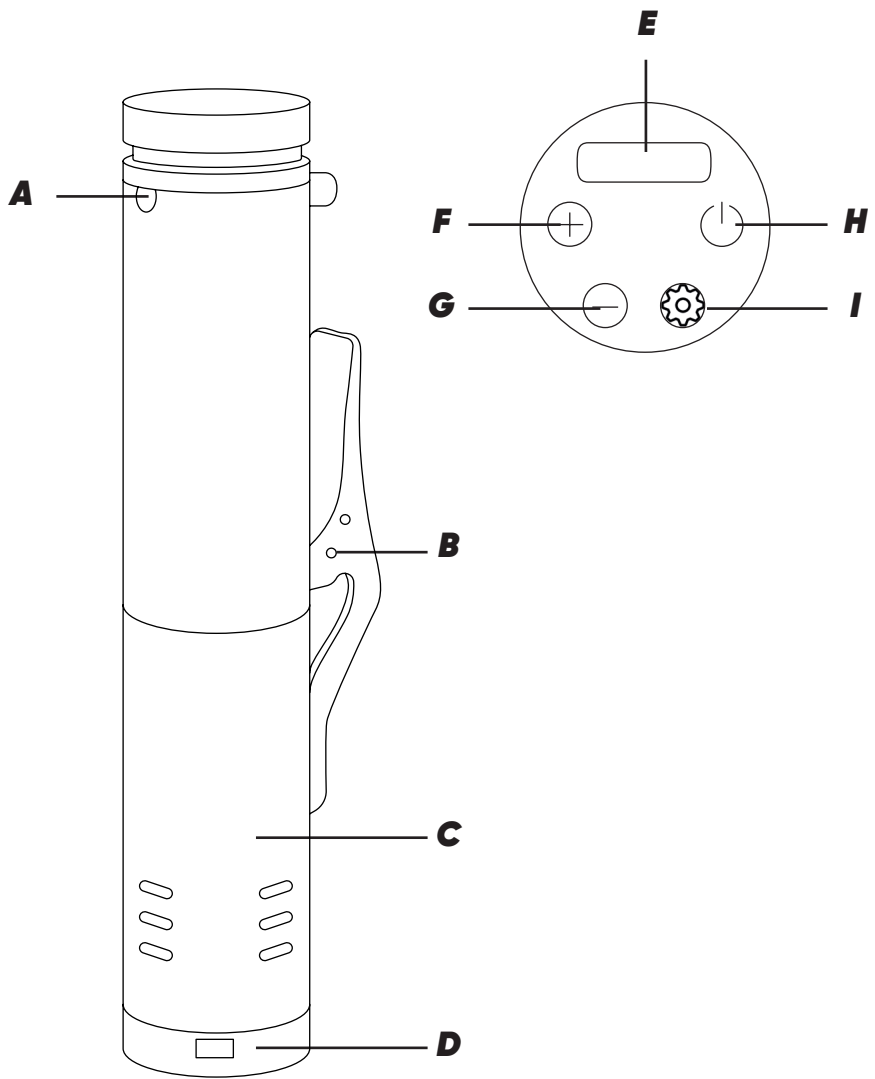


Fig. 1

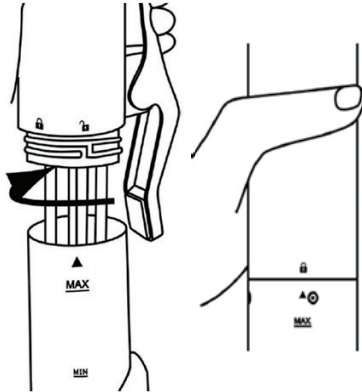
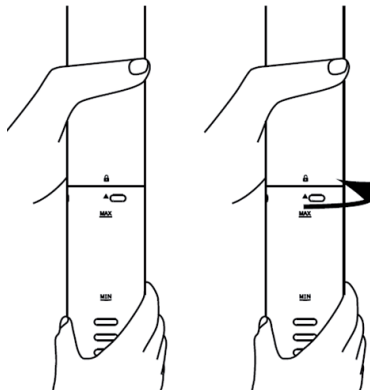


Fig. 2



Dear customer,

Many thanks for choosing to purchase a Mellerware brand product.

Thanks to its technology, design and operation and the fact that it exceeds the strictest quality standards, a fully satisfactory use and long product life can be assured.

Safety advice and warnings

- 1.** Read these instructions carefully before switching on the appliance and keep them for future reference. Failure to follow and observe these instructions could lead to an accident.
- 2.** Clean all the parts of the product that will be in contact with food, as indicated in the cleaning section, before use.
- 3.** This appliance can be used by children aged from 8 years and above and persons with reduced physical, sensory or mental capabilities or lack of experience and knowledge if they have been given supervision or instruction concerning use of the appliance in a safe way and understand the hazards involved.
- 4.** This appliance is not a toy. Children should be supervised to ensure that they do not play with the appliance.
- 5.** Cleaning and user maintenance shall not be made by children unless they are supervised.
- 6.** Appliance is not intended to be operated by means of an external timer or a separate remote control system.
- 7.** This appliance can be used in vessels according following characteristics: 6L–15L.
- 8.** Unplug the appliance before removing it from the liquid.
- 9.** After unplugging, the appliance will remain hot and shall not be touched or placed on combustible surface.
- 10.** The supply cord cannot be replaced. If the cord is damaged the appliance should be scrapped.

11. This appliance is for household use only, not professional, industrial use.

- Ensure that the voltage indicated on the rating label matches the mains voltage before plugging in the appliance.
- Connect the appliance to a socket that can supply a minimum of 10 amperes.
- The appliance's plug must fit into the mains socket properly. Do not alter the plug. Do not use plug adaptors.
- Do not force the power cord.
- Never use the power cord to lift up, carry or unplug the appliance.
- Do not wrap the power cord around the appliance.
- Check the state of the power cord. Damaged or tangled cables increase the risk of electric shock.
- Do not touch the plug with wet hands.
- Do not use the appliance if the cable or plug is damaged.
- If any of the appliance casings breaks, immediately disconnect the appliance from the mains to prevent the possibility of an electric shock.
- Do not use the appliance if it has fallen on the floor, if there are visible signs of damage or if it has a leak.
- Do not use the appliance in the case of persons insensitive to heat (the appliance has heated surfaces).
- Do not touch the heated parts of the appliance, as it may cause serious burns.

USE AND CARE

- Fully extend the appliance's power cable before each use.
- Do not use the appliance if its accessories are not properly fitted.
- Do not use the appliance if the accessories attached to it are defective. Replace them immediately.
- Do not switch the appliance on without water.
- Do not use the appliance if the on/off switch does not work.
- Do not use the appliance if it is tipped up and do not turn it over.
- Do not turn the appliance over while it is in use or connected to the mains.
- Respect the MAX and MIN levels.
- Store this appliance out of reach of children and/or persons with physical, sensory or reduced mental or lack of experience and knowledge.
- Do not store or transport the appliance if it is still hot.
- Burn Hazard: the cooking container, the stainless-steel portion of circulator and food pouches all get hot when used. Use oven mitts or tongs when handling. Allow system to cool before emptying the water bath.

- Keep the appliance in good condition. Check that the moving parts are not misaligned or jammed and make sure there are no broken parts or anomalies that may prevent the appliance from operating correctly.
- Only use water with the appliance.
- Do not use deionized water (DI water).

APPLICATIONS

- Cooking of products previously vacuum-packed (meat, fish, poultry, vegetables, terrines, pates, jams, preserves, aromatic oils...).
- Pateurization (85 °C of elaborations cooked with traditional techniques).

ADVANTAGES

- Low-temperature cooking prevents liquid loss and dehydration and drying of food while respecting its natural structure.
- Vacuum cooking enhances the aromas and flavors of food and condiments used.
- Respecting cooking chain, the life of the food is considerably extended.
- Allows preparing dishes in advance.
- Cooking in water ensures more accurate results than in a convection oven.

Service

- Any misuse or failure to follow the instructions for use renders the guarantee and the manufacturer's liability null and void.

Description

- A – Indicator light
- B – Clamp
- C – Stainless Steel body
- D – Turbine guard

CONTROL PANEL

- E – Screen
- F – Button +
- G – Button –
- H – On/off button
- I – Settings button

If the model of your appliance does not have the accessories described above, they can also be bought separately from the Technical Assistance Service.

Instructions for use

BEFORE USE

Make sure that all products' packaging has been removed.

ASSEMBLE THE STAINLESS-STEEL BODY

- Hold the unit and align the unlocking symbol and the arrow, rotate the skirt in clockwise direction until you can see the arrow and locking symbol are in the same horizontal position (Fig. 1).

USE

- Extend the cable completely before plugging it in.
- Firmly lock the appliance by holding it to the side of the pot or container.

- The appliance needs a 6-15L pot or container.
- Plug the appliance into the mains.
- The indicator light will illuminate red and the appliance will enter into standby mode.
- Press the on/off button to enter the setting mode. A beep will be heard.
- Select the temperature using the +/- buttons. Once the temperature is selected, press the settings button to select the time.
- Select the hours using the +/- buttons. Press the settings button again to select the minutes.
- Press the on/off button to confirm the settings. The appliance will enter heating mode. The indicator light will illuminate blue.
- The temperature will appear on the screen.
- To modify the settings, press the on/off button for 3 seconds and repeat the previous instructions.
- When the appliance reaches the selected temperature, 2 beeps will be heard and the blue LED will flash. The timer will start to count down.
- When the time is up, 3 "beeps" will be heard and "END" will appear on the display. The device will enter standby mode automatically.

ONCE YOU HAVE FINISHED USING THE APPLIANCE

- Stop the appliance by pressing the on/off button for 3 seconds.
- Unplug the appliance from the mains.
- Clean the appliance.

SAFETY THERMAL PROTECTOR

- The appliance has a safety device, which protects the appliance from overheating.
- When the appliance switches itself on and off repeatedly, for reasons other than the thermostat control, check to ensure that there are no obstacles that impede correct air entry or expulsion.
- If the appliance turns itself off and does not switch itself on again, disconnect it from the mains supply, and wait for approximately 15 minutes before reconnecting. If the machine does not start again seek authorised technical assistance.

SPECIAL MESSAGES

- The following message EE1 may appear on the screen, accompanied by 3 "beeps", which could mean that:
 - The water level is below the minimum level.
 - The appliance has been taken out of the water while it was working.
 - The water has evaporated.
 - The appliance is being used without water.

Cleaning

- Disconnect the appliance from the mains and allow it to cool before undertaking any cleaning task.

- Disassemble the appliance, hold the unit and rotate the skirt in anticlockwise (Fig. 2).
- Remove the turbine protector with a screwdriver.
- Clean the electrical equipment and the mains connection with a damp cloth and dry. **DO NOT IMMERSE IN WATER OR ANY OTHER LIQUID.**
- Clean the equipment with a damp cloth with a few drops of washing up liquid and then dry.
- Do not use solvents, or products with an acid or base pH such as bleach, or abrasive products, for cleaning the appliance.
- Do not let water or any other liquid get into the air vents to avoid damage to the inner parts of the appliance.
- It is advisable to clean the appliance regularly and remove any food remains.
- If the appliance is not in good condition of cleanliness, its surface may degrade and inexorably affect the duration of the appliance's useful life and could become unsafe to use.
- The following pieces may be washed in a dish washer (using a soft cleaning program):
 - Stainless Steel body
 - Turbine guard
- Then dry all parts before its assembly and storage.

Anomalies and repair

Take the appliance to an authorised technical support service if product is damaged or other problems arise. Do not attempt to disassemble or repair the appliance yourself as this may be dangerous.

For EU product versions and/or in case that it is requested in your country:

ECOLOGY AND RECYCLABILITY OF THE PRODUCT

- The materials of which the packaging of this appliance consists are included in a collection, classification and recycling system. Should you wish to dispose of them, use the appropriate public recycling bins for each type of material.
- The product does not contain concentrations of substances that could be considered harmful to the environment.



- This symbol means that in case you wish to dispose of the product once its working life has ended; take it to an authorised waste agent for the selective collection of Waste from Electric and Electronic Equipment (WEEE).

This appliance complies with Directive 2014/35/EU on Low

Voltage, Directive 2014/30/EU on Electromagnetic Compatibility, Directive 2011/65/EU on the restrictions of the use of certain hazardous substances in electrical and electronic equipment and Directive 2009/125/EC on the ecodesign requirements for energy-related products.

Warranty and technical assistance

This product enjoys the recognition and protection of the legal guarantee in accordance with current legislation. To enforce your rights or interests you must go to any of our official technical assistance services.

You can find the closest one by accessing the following web link: www.mellerware.com.

You can also request related information by contacting us.

You can download this instruction manual and its updates at www.mellerware.com

Trouble shooting

Noise	In normal operation, the unit hums from the operating motor, impeller and cooling fan.
Turbine noise	The stainless-steel body is loose. Push the steel body up into the guide groove and turn clockwise until you hear a click. With the body secured, the noise will disappear. There is also a possibility that the turbine shaft has been slightly bent. In this case, unscrew the turbine guard and gently push the impeller until it is centered.
Water swirl noise	The turbine has formed a whirlpool of water like when a bathtub is being emptied. Add more water or stir the water with a spoon. There is no sure way to remove the eddy formed due to turbine rotation, but it will usually go away on its own.
Bubbling noise + hum	The turbine is drawing air – add more water. Small bubbles should also be visible in the cookware.
Food damage	If you are cooking eggs or fish, the jet of water from the turbine may be cracking the eggs or damaging the fish fillets. Rotate the turbine outlet by placing it in front of the container wall; this will moderate the flow from the turbine outlet. It is also advisable to bag the eggs to prevent them from breaking around some containers.
Low water level alarm (EE1)	Adding more water, the water level may decrease during the operation of the turbine due to the turbulence of the water.
Low water level alarm turns on after a few second of operation (EE1)	Add more water – the turbine generates “ripples” that can cause the water level in the sensors to fluctuate up and down. The ripples bring the water level down just below the sensor and will cause a low water level alarm. This is normal and only more water needs to be added.
The read temperature does not match the thermometer	Low temperature and vacuum cooking appliances are calibrated to scientific standards that may differ from those used in common thermometers.

Distinguido cliente:

Le agradecemos que se haya decidido por la compra de un producto de la marca Mellerware. Su tecnología, diseño y funcionalidad, junto con el hecho de superar las más estrictas normas de calidad le comportarán total satisfacción durante mucho tiempo.

Consejos y advertencias de seguridad

- 1.** Leer atentamente este folleto de instrucciones antes de poner el aparato en marcha y guardarlo para posteriores consultas. La no observación y cumplimiento de estas instrucciones pueden comportar como resultado un accidente.
- 2.** Antes del primer uso, limpiar todas las partes del producto que puedan estar en contacto con alimentos, procediendo tal como se indica en el apartado de limpieza.
- 3.** Este aparato pueden utilizarlo niños con edad de 8 años y superior y personas con capacidades físicas, sensoriales o mentales reducidas o falta de experiencia y conocimiento, si se les ha dado la supervisión o formación apropiadas respecto al uso del aparato de una manera segura y comprenden los peligros que implica.
- 4.** Este aparato no es un juguete. Los niños deben estar bajo vigilancia para asegurar que no jueguen con el aparato.
- 5.** La limpieza y el mantenimiento a realizar por el usuario no deben realizarlos los niños sin supervisión.
- 6.** El dispositivo no está diseñado para ser operado por medio de un temporizador externo o un sistema de control remoto separado.
- 7.** Este aparato se puede utilizar en recipientes de acuerdo con las siguientes características: 6L-15L.
- 8.** Desenchufe el aparato antes de retirarlo del líquido.

9. Después de desenchufarlo, el aparato aún permanecerá caliente, esté no deberá tocarse ni colocarse sobre una superficie combustible.

10. El cable de alimentación no se puede reemplazar. Si el cable está dañado, el aparato debe desecharse.

11. Este aparato está pensado únicamente para un uso doméstico, no para uso profesional o industrial.

- Antes de conectar el aparato a la red, verificar que el voltaje indicado en la placa de características coincide con el voltaje de red.
- Conectar el aparato a una base de toma de corriente que soporte como mínimo 10 amperios.
- La clavija del aparato debe coincidir con la base eléctrica de la toma de corriente. Nunca modificar la clavija.
- No usar adaptadores de clavija.
- No forzar el cable eléctrico de conexión. Nunca usar el cable eléctrico para levantar, transportar o desenchufar el aparato.
- No enrollar el cable eléctrico de conexión alrededor del aparato.

- Verificar el estado del cable eléctrico de conexión. Los cables dañados o enredados aumentan el riesgo de choque eléctrico.
- No tocar la clavija de conexión con las manos mojadas.
- No utilizar el aparato con el cable eléctrico o la clavija dañada.
- Si alguna de las envolventes del aparato se rompe, desconectar inmediatamente el aparato de la red para evitar la posibilidad de sufrir un choque eléctrico.
- No utilizar el aparato si ha caído, si hay señales visibles de daños, o si existe fuga.
- No usar el aparato, en el caso de personas insensibles al calor (ya que el aparato tiene superficies calefactadas).
- No tocar las partes calefactadas del aparato, ya que pueden provocar quemaduras.

UTILIZACIÓN Y CUIDADOS

- Antes de cada uso, extender completamente el cable de alimentación del aparato.
- No usar el aparato si sus accesorios no están debidamente acoplados.
- No usar el aparato si los accesorios acoplados a él presentan defectos. Proceda a sustituirlos inmediatamente.
- No poner el aparato en marcha sin agua.
- No usar el aparato si su dispositivo de puesta en marcha/paro no funciona.

- No utilizar el aparato inclinado, ni darle la vuelta.
- No dar la vuelta al aparato mientras está en uso o conectado a la red.
- Respetar los niveles MAX y MIN.
- Guardar este aparato fuera del alcance de los niños y/o personas con capacidades físicas, sensoriales o mentales reducidas o falta de experiencia y conocimiento.
- No guardar ni transportar el aparato si todavía está caliente.
- Riesgo de quemadura: el recipiente de cocción, la parte de acero inoxidable del aparato y las bolsas de los alimentos se calientan cuando se usan. Se recomienda utilizar guantes o pinzas para horno durante su manipulación.
- Dejar enfriar el sistema antes de vaciar el baño de agua.
- Mantener el aparato en buen estado.
- Compruebe que las partes móviles no estén desalineadas o trabadas, que no haya piezas rotas u otras condiciones que puedan afectar al buen funcionamiento del aparato.
- Utilizar el aparato solamente con agua.
- No utilizar agua deionizada.

APLICACIONES

- Cocción de productos previamente envasados al vacío (carnes, pescados, aves, verduras, terrinas, pates, mermeladas, conservas, aceites aromáticos...).

- Pasteurización (85°C) de elaboraciones cocinadas con técnicas tradicionales.

VENTAJAS

- La cocción a baja temperatura evita la pérdida de líquidos y la deshidratación y resecamiento de los alimentos respetando al máximo su estructura natural.
- La cocción al vacío potencia los aromas y los sabores de los alimentos y de los condimentos usados.
- Al respetar la cadena de cocción se prolonga considerablemente la vida de los alimentos.
- Permite elaborar platos con antelación.
- Al cocinar en agua aseguramos resultados más precisos que en un horno de convección.

Servicio

Toda utilización inadecuada, o en desacuerdo con las instrucciones de uso, puede comportar peligro, anulando la garantía y la responsabilidad del fabricante.

Descripción

- A – Indicador luminoso
- B – Pinza
- C – Cuerpo de acero inoxidable
- D – Protector de la turbina

PANEL DE CONTROL

- E – Pantalla
- F – Botón +

- G – Botón –
- H – Botón on/off
- I – Botón ajustes

En caso de que su modelo de aparato no disponga de los accesorios descritos anteriormente, éstos también pueden adquirirse por separado en los Servicios de Asistencia Técnica.

Modo de empleo

NOTAS PREVIAS AL USO

Asegúrese de que ha retirado todo el material de embalaje del producto.

MONTAR EL CUERPO DE ACERO INOXIDABLE

Sujetar el aparato y alinear el símbolo de desbloqueo y la flecha, girar el cuerpo de acero inoxidable en sentido de las agujas del reloj hasta que se vea la flecha y el símbolo de bloqueo en la misma posición (Fig. 1).

USO

- Extender completamente el cable antes de enchufar.
- Bloquear firmemente el aparato sujetándolo en el lateral de la olla o el recipiente.
- El aparato necesita una olla o recipiente de 6-15L
- Enchufar el aparato a la red eléctrica.

- El indicador luminoso se iluminará de color rojo y el aparato entrará en modo de espera.
- Pulsar el botón on/off para entrar en el modo de ajustes. Se oirá un “beep”.
- Seleccionar la temperatura utilizando los botones +/- . Una vez seleccionada la temperatura, pulsar el botón de ajustes para seleccionar el tiempo.
- Seleccionar las horas utilizando los botones +/- . Pulsar otra vez el botón de ajustes para seleccionar los minutos.
- Pulsar el botón on/off para confirmar los ajustes. El aparato entrará en modo calentamiento. El indicador luminoso se iluminará de color azul.
- En la pantalla aparecerá la temperatura.
- Para modificar los ajustes, pulsar el botón on/off durante 3 segundos y repetir las instrucciones anteriores.
- Cuando el aparato llega a la temperatura seleccionada, se oirán 2 “beeps” y el LED azul parpadeará. El temporizador empezará a descontar.
- Cuando el tiempo haya terminado, se oirán 3 “beeps” y en la pantalla aparecerá “END”. El aparato entrará en modo de espera automáticamente.

UNA VEZ FINALIZADO EL USO DEL APARATO

- Parar el aparato pulsando el botón on/off durante 3 segundos.

- Desenchufar el aparato de la red eléctrica.
- Limpiar el aparato.

PROTECTOR TÉRMICO DE SEGURIDAD

- El aparato dispone de un dispositivo térmico de seguridad que protege el aparato de cualquier sobrecalentamiento.
- Cuando el aparato se conecta y desconecta alternativamente, no siendo ello debido a la acción del termostato de ambiente, verificar que no haya ningún obstáculo que impida o dificulte la entrada o salida normal del aire.
- Si el aparato se desconecta por sí mismo y no vuelve a conectarse, proceder a desenchufarlo de la red, esperar unos 15 minutos antes de volver a conectarlo, Si sigue sin funcionar, acudir a uno de los servicios de asistencia técnica autorizados.

MENSAJES ESPECIALES

- En la pantalla puede aparecer el siguiente mensaje EE1, acompañado de 3 "beep", que puede significar que:
 - El nivel de agua está por debajo del nivel mínimo.
 - El aparato se ha sacado del agua mientras estaba trabajando.
 - El agua se ha evaporado.
 - El aparato se está usando sin agua.

Limpieza

- Desenchufar el aparato de la red y dejarlo enfriar antes de iniciar cualquier operación de limpieza.
- Desmontar el aparato, sosteniendo el cuerpo y girando el cuerpo de acero inoxidable en sentido antihorario (Fig. 2).
- Quitar el protector de la turbina con un destornillador.
- Limpiar el conjunto eléctrico y el conector de red con un paño húmedo y secarlos después. **NO SUMERGIRLOS NUNCA EN AGUA O CUALQUIER OTRO LÍQUIDO.**
- Limpiar el aparato con un paño húmedo impregnado con unas gotas de detergente y secarlo después.
- No utilizar disolventes, ni productos con un factor pH ácido o básico como la lejía, ni productos abrasivos, para la limpieza del aparato.
- No deje entrar agua u otro líquido por las aberturas de ventilación para evitar daños en las partes operativas interiores del aparato.
- Se recomienda limpiar el aparato regularmente y retirar todos los restos de alimentos.
- Si el aparato no se mantiene en buen estado de limpieza, su superficie puede degradarse y afectar de forma inexorable la duración de la vida del aparato y conducir a una situación peligrosa.
- Las siguientes piezas son aptas para su limpieza en agua caliente jabonosa o en el lavavajillas (usando un programa suave de lavado):

- Cuerpo de acero inoxidable.
- Protector de turbina
- A continuación, secar todas las piezas antes de su montaje y guardado.

Anomalías y reparación

En caso de avería llevar el aparato a un Servicio de Asistencia Técnica autorizado. No intente desmontarlo o repararlo ya que puede existir peligro.

Para las versiones EU del producto y/o en el caso de que en su país aplique:

ECOLOGÍA Y RECICLABILIDAD DEL PRODUCTO

- Los materiales que constituyen el envase de este aparato, están integrados en un sistema de recogida, clasificación y reciclado de los mismos. Si desea deshacerse de ellos, puede utilizar los contenedores públicos apropiados para cada tipo de material.
- El producto está exento de concentraciones de sustancias que se puedan considerar dañinas para el medio ambiente.



- Este símbolo significa que si desea deshacerse del producto, una vez transcurrida la vida del mismo, debe depositarlo por los medios adecuados a manos de un gestor de residuos autorizado

para la recogida selectiva de Residuos de Aparatos Eléctricos y Electrónicos (RAEE).

Este aparato cumple con la Directiva 2014/35/EU de Baja Tensión, con la Directiva 2014/30/EU de Compatibilidad Electromagnética, con la Directiva 2011/65/EU sobre restricciones a la utilización de determinadas sustancias peligrosas en aparatos eléctricos y electrónicos y con la Directiva 2009/125/EC sobre los requisitos de diseño ecológico aplicable a los productos relacionados con la energía.

Garantía y asistencia técnica

Este producto goza del reconocimiento y protección de la garantía legal de conformidad con la legislación vigente. Para hacer valer sus derechos o intereses debe acudir a cualquiera de nuestros servicios de asistencia técnica oficiales. Podrá encontrar el más cercano accediendo al siguiente enlace web:

www.mellerware.com

También puede solicitar información relacionada poniéndose en contacto con nosotros por el teléfono que aparece al final de este manual. Puede descargar este manual de instrucciones y sus actualizaciones en www.mellerware.com

Solución de problemas

Ruido	En el funcionamiento habitual, el aparato emite un zumbido por el motor, el impulsor y el ventilador de refrigeración que se encuentran en funcionamiento.
Ruido de turbina	El cuerpo de acero inoxidable está suelto. Empujar el cuerpo de acero hacia arriba en la ranura de la guía y girar a la derecha hasta escuchar un clic. Con el cuerpo asegurado, el ruido desaparecerá. También existe la posibilidad de que el eje de la turbina se haya doblado ligeramente. En este caso, desenroscar el protector de la turbina y empujar suavemente el impulsor hasta que esté centrado.
Ruido de remolino de agua	La turbina ha formado un remolino de agua como cuando se está vaciando una bañera. Añadir más agua o remover el agua con una cuchara. No hay forma segura de eliminar el remolino formado debido a la rotación de la turbina, pero por lo general este desaparecerá por sí solo.
Ruido de burbujeo + zumbido	La turbina está aspirando aire – agregar más agua. También deberían verse pequeñas burbujas en el recipiente de cocción.
Alimentos dañados	Si está cocinando huevos o pescado, puede ser que el chorro de agua de la turbina esté agrietando los huevos o dañando los filetes de pescado. Girar la salida de la turbina poniéndola enfrente de la pared del recipiente; esto moderará el flujo de la salida de la turbina. También es recomendable embolsar los huevos para prevenir que se rompan alrededor de algunos recipientes.
Alarma de bajo nivel de agua (EE1)	Añadir más agua, el nivel del agua puede disminuir durante el funcionamiento de la turbina debido a las turbulencias del agua.
Alarma de bajo nivel de agua después de unos segundos de funcionamiento (EE1)	Añadir más agua – la turbina genera “ondas” que pueden causar que el nivel de agua en los sensores fluctúe hacia arriba y hacia abajo. Las ondas hacen caer el nivel del agua justo debajo del sensor y causará una alarma de nivel de agua baja. Esto es normal y sólo se necesita añadir más agua.
La temperatura leída no coincide con el termómetro	Los aparatos de cocción al vacío y baja temperatura se calibran con unos estándares científicos que pueden ser diferentes a los utilizados en los termómetros comunes.

Cher client,

Nous vous remercions d'avoir acheté un produit Mellerware. Sa technologie, son design et sa fonctionnalité, outre sa parfaite conformité aux normes de qualité les plus strictes, vous permettront d'en tirer une longue et durable satisfaction.

Conseils et avertissements de sécurité

- 1.** Lire attentivement cette notice d'instructions avant de mettre l'appareil en marche, et la conserver pour la consulter ultérieurement. La non observation et application de ces instructions peuvent entraîner un accident.
- 2.** Avant la première utilisation, laver les parties en contact avec les aliments comme indiqué à la section nettoyage.
- 3.** Cet appareil peut être utilisé par des enfants de plus de 8 ans et par des personnes ayant des capacités physiques, sensorielles ou mentales réduites ou manquant d'expérience à condition de le faire sous surveillance ou après avoir reçu les instructions pour un maniement sûr de l'appareil et en ayant compris les risques qu'il comporte.
- 4.** Cet appareil n'est pas un jouet. Les enfants doivent être surveillés afin de s'assurer qu'ils ne jouent pas avec l'appareil.
- 5.** Les enfants ne doivent pas réaliser les opérations de nettoyage ou de maintenance de l'appareil sans la supervision d'un adulte.
- 6.** L'appareil n'a pas été conçu pour fonctionner avec un minuteur externe ni une télécommande.
- 7.** Cet appareil peut être utilisé dans des récipients conformes aux caractéristiques suivantes: 6L-15L.
- 8.** Débranchez l'appareil avant de le sortir du liquide.
- 9.** Une fois débranché, l'appareil restera chaud, ne le touchez pas et ne le posez pas non plus sur une surface inflammable.

10. Le cordon d'alimentation ne peut pas être remplacé. Si le cordon est endommagé, l'appareil doit être mis au rebut.

11. Cet appareil est uniquement destiné à un usage domestique et non à un usage professionnel ou industriel.

- Avant de brancher l'appareil au secteur, s'assurer que la tension indiquée sur la plaque signalétique correspond à celle du secteur.
- Brancher l'appareil sur une prise de courant raccordée à la terre et supportant au moins 10 ampères.
- La prise de courant (fiche) de l'appareil doit coïncider avec le socle de la prise de courant.
- Ne jamais modifier la fiche de l'appareil. Ne pas utiliser d'adaptateurs.
- Veiller à maintenir votre espace de travail propre et bien éclairé. Les espaces encombrés et sombres sont propices aux accidents.
- Ne pas utiliser l'appareil si son câble électrique ou sa prise sont endommagés.
- Si une des enveloppes protectrices de l'appareil se casse, débrancher immédiatement l'appareil du secteur pour éviter toute décharge électrique.
- Ne pas utiliser l'appareil s'il est tombé, ou en présence de signes visibles de dommages ou en cas de fuite.
- Ne pas forcer le câble électrique.
- Ne jamais utiliser le câble électrique pour soulever, transporter ou débrancher l'appareil.
- Ne pas enrouler le câble électrique autour de l'appareil.
- Éviter que le câble électrique de connexion ne se coince ou ne s'emmêle.
- Ne pas laisser le cordon de connexion entrer en contact avec les surfaces chaudes de l'appareil.
- Toujours vérifier l'état du câble électrique. Les câbles endommagés ou emmêlés augmentent le risque de décharge électrique.
- Ne pas toucher la fiche de l'appareil avec les mains mouillées.
- Les personnes insensibles à la chaleur doivent éviter d'utiliser cet appareil (puisque celui-ci présente des surfaces chauffantes).
- Éviter de toucher les parties chauffantes de l'appareil, vous pourriez gravement vous brûler.

UTILISATION ET ENTRETIEN

- Avant chaque utilisation, dérouler complètement le câble électrique de l'appareil.
- Ne pas utiliser l'appareil si ses accessoires ne sont pas correctement assemblés.

- Ne pas utiliser l'appareil si les accessoires qui lui sont assemblés présentent des défauts. Le cas échéant, les remplacer immédiatement.
- Ne jamais mettre en marche l'appareil sans eau.
- Ne pas utiliser l'appareil si son dispositif de mise en marche/arrêt ne fonctionne pas.
- Ne pas utiliser l'appareil en position inclinée, ni le retourner.
- Ne pas retourner l'appareil quand il est en cours d'utilisation ou branché au secteur.
- Respecter les niveaux MAXIMUM ET MINIMUM.
- Conserver cet appareil hors de portée des enfants ou des personnes avec des capacités physiques, sensorielles ou mentales réduites ou présentant un manque d'expérience et de connaissances.
- Ne pas ranger l'appareil s'il est encore chaud.
- Risque de brûlure: le récipient de cuisson, la partie en acier inoxydable de l'appareil et les poches des aliments chauffent pendant leur utilisation. Il est recommandé d'utiliser des gants ou des pinces pour four pour leur manipulation.
- Laisser refroidir le système avant de vider le bain d'eau.
- Maintenir l'appareil en bon état. Vérifier que les parties mobiles ne sont pas déviées ou entravées, qu'il n'y a pas de pièces cassées ou d'autres conditions qui pourraient

affecter le bon fonctionnement de l'appareil.

- Utiliser l'appareil uniquement avec de l'eau.
- Ne pas utiliser de l'eau déionisée.

APPLICATIONS

- Cuisson de produits préalablement emballés sous vide (viandes, poissons, volaille, légumes, terrines, pâtés, confitures, conserves, huiles aromatiques...).
- Pasteurisation (85°C) de recettes réalisées avec des techniques traditionnelles.

AVANTAGES

- La cuisson à basse température évite la perte de liquides, la déshydratation et le dessèchement des aliments en respectant au maximum leur structure naturelle.
- La cuisson sous vide intensifie les arômes et le goût des aliments et des condiments employés.
- Le respect de la chaîne de cuisson prolonge considérablement la vie des aliments.
- Cela permet d'élaborer des plats à l'avance.
- En cuisinant dans l'eau, vous garantes des résultats plus précis que dans un four à convection.

Garantie

- Toute utilisation inappropriée ou non conforme aux instructions d'utilisation annule la garantie et la responsabilité du fabricant.

Description

- A – Voyant
- B – Pince
- C – Corps en acier inoxydable
- D – Garde de turbine

PANNEAU DE COMMANDE

- E – Écran
- F – Bouton +
- G – Bouton –
- H – Bouton marche / arrêt
- I – Bouton Paramètres

Si le modèle de votre appareil ne dispose pas des accessoires décrits ci-dessus, ils peuvent également être achetés séparément auprès des services d'assistance technique.

Mode d'emploi

CONSIGNES PRÉALABLES

S'assurer d'avoir retiré tout le matériel d'emballage du produit.

MONTER LE CORPS EN ACIER INOXYDABLE

Soutenir l'appareil et aligner le symbole de déblocage et la flèche, faire tourner le corps en acier inoxydable dans le sens horaire jusqu'à apparition de la flèche et du symbole de blocage sur la même position horizontale (Fig. 1).

UTILISATION

- Déployez complètement le câble avant de le brancher.

- Verrouillez fermement l'appareil en le tenant sur le côté de la casserole ou du récipient.
- L'appareil nécessite un pot ou un récipient de 6-15L.
- Branchez l'appareil sur le secteur. Le voyant lumineux s'allumera en rouge et l'appareil passera en mode veille.
- Appuyez sur le bouton marche/arrêt pour accéder au mode de réglage. Un bip se fera entendre.
- Sélectionnez la température à l'aide des touches +/- . Une fois la température sélectionnée, appuyez sur le bouton de réglage pour sélectionner l'heure.
- Sélectionnez les heures à l'aide des touches +/- . Appuyez à nouveau sur le bouton des paramètres pour sélectionner les minutes.
- Appuyez sur le bouton marche/arrêt pour confirmer les paramètres. L'appareil entrera en mode de chauffage. Le voyant lumineux s'allumera en bleu.
- La température s'affiche à l'écran.
- Pour modifier les paramètres, appuyez sur le bouton marche/arrêt pendant 3 secondes et répétez les instructions précédentes.
- Lorsque l'appareil atteint la température sélectionnée, 2 bips se font entendre et la LED bleue clignote. Le compte à rebours commencera.
- Lorsque le temps est écoulé, 3 bips se font entendre et «END» apparaît

sur l'afficheur. L'appareil passera automatiquement en mode veille.

- L'appareil fonctionne sans eau.

UNE FOIS L'UTILISATION DE L'APPAREIL TERMINEE

- Arrêtez l'appareil en appuyant sur le bouton marche/arrêt pendant 3 secondes.
- Débranchez l'appareil du secteur. Nettoyez l'appareil.

PROTECTEUR DE SÉCURITÉ THERMIQUE

- L'appareil dispose d'un dispositif de sécurité thermique qui le protège de toute surchauffe.
- Lorsque l'appareil est allumé et éteint en alternance, non par l'action du thermostat d'ambiance, vérifiez qu'il n'y a pas d'obstacles qui empêchent ou gênent l'entrée ou la sortie normale de l'air.
- Si l'appareil se déconnecte de lui-même et ne se reconnecte pas, procédez au débranchement du secteur, attendez environ 15 minutes avant de le rebrancher.
- S'il ne fonctionne toujours pas, adressez-vous à l'un des services d'assistance technique agréés.

MESSAGES SPÉCIAUX

- L'écran peut afficher le message suivant EE1, accompagné de 3 «bip», qui peut signifier que:
 - Le niveau d'eau est sous le niveau minimum.
 - L'appareil a été sorti de l'eau durant son travail.
 - L'eau s'est évaporée.

Nettoyage

- Débrancher l'appareil du secteur et attendre son refroidissement complet avant de le nettoyer.
- Démonter l'appareil en tenant le corps et en tournant le corps en acier inoxydable dans le sens inverse des aiguilles d'une montre (Fig. 2).
- Retirer le protecteur de turbine avec un tournevis.
- Nettoyer l'appareil électrique et son câble d'alimentation avec un chiffon humide et bien les sécher ensuite. **NE JAMAIS IMMERGER L'APPAREIL NI LE CÂBLE DANS L'EAU NI AUCUN AUTRE LIQUIDE.**
- Nettoyer l'appareil avec un chiffon humide imprégné de quelques gouttes de détergent et le laisser sécher.
- Ne pas utiliser de solvants ni de produits au pH acide ou basique tels qu'eau de Javel, ni de produits abrasifs pour nettoyer l'appareil.
- Ne pas laisser pénétrer d'eau ni aucun autre liquide par les ouvertures d'aération afin d'éviter d'endommager les parties intérieures de l'appareil.
- Il est recommandé de nettoyer l'appareil régulièrement et de retirer tous les restes d'aliments.
- Si l'appareil n'est pas maintenu dans un bon état de propreté, sa surface peut se dégrader et affecter de façon inexorable la

durée de vie de l'appareil et le rendre dangereux.

- Les pièces ci-dessous peuvent se laver à l'eau chaude savonneuse ou au lave-vaisselle (en mode délicat): Corps en acier inoxydable.
 - Protecteur de turbine
 - Veiller à bien sécher toutes les pièces avant de les monter ou de les ranger.

Anomalies et réparation

En cas de panne, remettre l'appareil à un service d'assistance technique autorisé. Ne pas tenter de procéder aux réparations ou de démonter l'appareil; cela implique des risques.

Pour les versions UE du produit et/ou en fonction de la législation du pays d'installation:

ÉCOLOGIE ET RECYCLAGE DU PRODUIT

- Les matériaux constituant l'emballage de cet appareil font partie d'un programme de collecte, de tri et de recyclage. Si vous souhaitez vous défaire du produit, merci de bien vouloir utiliser les conteneurs publics appropriés à chaque type de matériau.
- Le produit ne contient pas de substances concentrées susceptibles d'être considérées comme nuisibles à l'environnement.



- Ce symbole signifie que si vous souhaitez vous débarrasser de l'appareil, en fin de vie utile, celui-ci devra être consigné, en prenant les mesures adaptées, à un centre agréé de collecte sélective des déchets d'équipements électriques et électroniques (DEEE).

Cet appareil est certifié conforme à la Directive 2014/35/CE de Basse Tension, de même qu'à la Directive 2014/30/CE en matière de Compatibilité Électromagnétique, à la Directive 2011/65/CE relative à la limitation d'utilisation de certaines substances dangereuses dans les équipements électriques et électroniques et à la Directive 2009/125/CE sur les conditions de conception écologique applicables aux produits faisant usage d'énergie.

Garantie et assistance technique

Ce produit est reconnu et protégé par la garantie établie conformément à la législation en vigueur. Pour faire valoir vos droits ou intérêts, vous devrez vous adresser à l'un de nos services d'assistance technique agréés. Pour savoir lequel est le plus proche, vous pouvez accéder au lien suivant: www.mellerware.com Vous pouvez également demander des informations connexes en

nous contactant au numéro de
téléphone figurant à la fin de ce
manuel. Vous pouvez télécharger
cette notice d'instructions et ses
mises à jour sur
www.mellerware.com

Dépannage

Bruit	En fonctionnement normal, l'appareil émet un bruit dû au moteur, à la roue et au ventilateur de refroidissement en fonctionnement.
Bruit de turbine	Le corps en acier inoxydable est lâche. Poussez le corps en acier dans la rainure de guidage et tournez dans le sens des aiguilles d'une montre jusqu'à ce que vous entendiez un clic. Avec le corps sécurisé, le bruit disparaîtra. Il est également possible que l'arbre de la turbine ait été légèrement plié. Dans ce cas, dévissez la protection de la turbine et poussez doucement la roue jusqu'à ce qu'elle soit centrée.
Bruit de tourbillon d'eau	La turbine a formé un tourbillon d'eau comme lorsqu'une baignoire se vide. Ajoutez plus d'eau ou remuez l'eau avec une cuillère. Il n'y a pas de moyen sûr d'éliminer le tourbillon formé par la rotation de la turbine, mais il disparaîtra généralement tout seul.
Bruit de bulles + bourdonnement	La turbine aspire de l'air – ajoutez plus d'eau. De petites bulles doivent également être visibles dans la casserole.
Aliments endommagés	Si vous faites cuire des œufs ou du poisson, le jet d'eau de la turbine peut casser les œufs ou endommager les filets de poisson. Faites tourner la sortie de la turbine en la plaçant devant la paroi du conteneur ; cela modérera le débit de la sortie de la turbine. Il est également conseillé de mettre les œufs en sac pour éviter qu'ils ne se cassent autour de certains conteneurs.
Alarme de niveau d'eau bas (EE1)	Ajoutez plus d'eau. Le niveau d'eau peut diminuer pendant le fonctionnement de la turbine en raison de la turbulence de l'eau.
Alarme de niveau d'eau bas après quelques secondes de fonctionnement (EE1)	Ajoutez plus d'eau. La turbine génère des «ondulations» qui peuvent faire fluctuer le niveau d'eau dans les capteurs de haut en bas. Les ondulations abaissent le niveau d'eau juste en dessous du capteur et provoquent une alarme de niveau d'eau bas. Ceci est normal et il suffit d'ajouter plus d'eau.
La température lue ne correspond pas au thermomètre	Les appareils de cuisson à basse température et sous vide sont étalonnés selon des normes scientifiques qui peuvent différer de celles utilisées dans les thermomètres courants.

Prezado cliente:

Obrigado por ter adquirido um eletrodoméstico da marca Mellerware.

A sua tecnologia, design e funcionalidade, aliados às mais rigorosas normas de qualidade, garantir-lhe-ão uma total satisfação durante muito tempo.

Conselhos e advertências de segurança

- 1.** Leia atentamente este manual de instruções antes de ligar o aparelho e guarde-o para consultas futuras. A não observância e cumprimento destas instruções pode resultar em acidente.
- 2.** Antes da primeira utilização, limpe todas as partes do aparelho que possam estar em contacto com os alimentos, procedendo como se indica no capítulo de limpeza.
- 3.** Este aparelho pode ser utilizado por pessoas não familiarizadas com a sua utilização, pessoas incapacitadas ou crianças a partir dos 8 anos, desde que o façam sob supervisão ou tenham recebido formação sobre a utilização segura do aparelho e compreendam os perigos que este acarreta.
- 4.** Este aparelho não é um brinquedo. As crianças devem ser vigiadas para garantir que não brincam com o aparelho.
- 5.** As crianças não devem realizar operações de limpeza ou manutenção do aparelho, a menos que se encontrem sob a supervisão de um adulto.
- 6.** O aparelho não foi projetado para funcionar com um temporizador externo ou controlo remoto.
- 7.** Este aparelho pode ser utilizado em recipientes de acordo com as seguintes características: 6L – 15L.
- 8.** Desligue o aparelho antes de remover o líquido.

9. Este aparelho não é um brinquedo. As crianças devem ser vigiadas para garantir que não brincam com o aparelho.

10. O cabo de alimentação não pode ser substituído. Se o cabo estiver danificado, o aparelho deve ser eliminado.

11. Este aparelho foi concebido exclusivamente para uso doméstico, não para uso profissional ou industrial.

- Antes de ligar o aparelho à corrente, verifique se a tensão indicada na placa de características corresponde à tensão da rede.
- Ligue o aparelho a uma tomada com ligação à terra e com capacidade mínima de 10 amperes.
- A ficha do aparelho deve coincidir com a tomada de corrente elétrica.
- Nunca modifique a ficha. Não use adaptadores de ficha.
- Mantenha a área de trabalho limpa e bem iluminada. As áreas desordenadas e escuras propiciam a ocorrência de acidentes.
- Não utilize o aparelho se tiver o cabo elétrico ou a ficha danificada.
- Se algum dos revestimentos do aparelho se partir, desligue imediatamente o aparelho da corrente para evitar a possibilidade de sofrer um choque elétrico.
- Não utilize o aparelho se este caiu e se existirem sinais visíveis de danos ou de fuga.
- Não force o cabo elétrico. Nunca utilize o cabo de alimentação para levantar, transportar ou desligar o aparelho da corrente.
- Não enrole o cabo no aparelho.
- Não deixe que o cabo elétrico fique preso ou dobrado.
- Evite que o cabo entre em contacto com as superfícies quentes do aparelho.
- Verifique o estado do cabo de elétrico. Os cabos danificados ou entrelaçados aumentam o risco de choque elétrico.
- Não toque na ficha de ligação com as mãos molhadas.
- As pessoas insensíveis ao calor não devem usar o aparelho (já que este tem superfícies aquecidas).
- Não toque nas partes quentes do aparelho, uma vez que podem provocar queimaduras graves.

UTILIZACIÓN Y CUIDADOS

- Antes de cada utilização, desenrole completamente o cabo de alimentação do aparelho.
- Não utilize o aparelho se os acessórios não estiverem devidamente montados.
- Não utilize o aparelho se os acessórios ou consumíveis

- montados apresentarem defeitos.
- Substitua-os imediatamente.
 - Não coloque o aparelho em funcionamento sem água.
 - Não utilize o aparelho se o dispositivo de ligar/desligar não funcionar.
 - Não utilize o aparelho inclinado ou invertido.
 - Não vire o aparelho ao contrário enquanto estiver a ser utilizado ou ligado à rede elétrica.
 - Respeite os níveis de MÁXIMO e MÍNIMO.
 - Guarde o aparelho fora do alcance das crianças e de pessoas com capacidades físicas, sensoriais ou mentais reduzidas, ou com falta de experiência e conhecimento.
 - Não guarde nem desloque o aparelho se ainda estiver quente.
 - Risco de queimaduras: o recipiente de cozedura a parte em aço inoxidável e os sacos com os alimentos aquecem ao ser utilizados.
 - Recomenda-se utilizar luvas ou pinças para forno durante a sua manipulação. Deixe o sistema arrefecer antes de esvaziar o recipiente com água.
 - Conserve o aparelho em bom estado. Verifique se as partes móveis não estão desalinhasadas ou bloqueadas, que não existem peças anificadas ou outras condições que possam afetar o funcionamento correto do aparelho.
 - Utilize o aparelho apenas com água.
 - Não utilize água desionizada.

APLICAÇÕES

- Cozer e aquecer produtos previamente embalados a vácuo (carnes, peixe, aves, legumes, sopas, patês, marmeladas, conservas, azeites aromatizados, etc.).
- Pasteurização (85°C) de preparados confeccionados com técnicas tradicionais.

VANTAGENS

- Cozer a baixas temperaturas evita a perda de líquidos e a desidratação e secagem dos alimentos, respeitando ao máximo a sua estrutura natural.
- Cozer a vácuo potencia os aromas e o sabor dos alimentos e dos condimentos utilizados.
- Ao respeitar-se a cadeia de confeção prolonga-se consideravelmente a vida dos alimentos.
- Permite elaborar pratos com antecedência.
- Ao cozinhar-se com água, obtêm-se resultados mais precisos do que num forno de convecção.

Manutenção

- Qualquer utilização inadequada ou em desacordo com as instruções de utilização pode ser perigosa e anula a garantia e a responsabilidade do fabricante.

Descrição

- A – Luz indicadora
- B – Garra
- C – Corpo em aço inoxidável
- D – Protetor de turbina

PAINEL DE CONTROLE

- E – Tela
- F – Botão +
- G – Botão –
- H – Botão ligar / desligar
- I – Botão de configurações

Se o modelo do seu dispositivo não possuir os acessórios descritos acima, eles também poderão ser adquiridos separadamente nos Serviços de Assistência Técnica.

Modo operacional

NOTAS PRÉVIAS DE USO

Verifique se você removeu todo o material de embalagem do produto.

MONTAGEM DO CORPO DE AÇO INOXIDÁVEL

Segure o aparelho e alinhe o símbolo de desbloqueio com a flecha, rode o corpo de aço inoxidável no sentido dos ponteiros do relógio até que a flecha e o símbolo de bloqueio fiquem na mesma posição horizontal. (Fig.1).

UTILIZAÇÃO

- Estenda completamente o cabo antes de conectar.

- Bloqueie firmemente o aparelho segurando-o na lateral da panela ou recipiente.
- O aparelho precisa de uma panela ou recipiente de 6-15L
- Ligue o aparelho à corrente.
- A luz indicadora acenderá em vermelho e o aparelho entrará no modo de espera.
- Pressione o botão liga/desliga para entrar no modo de configuração. Um bipe será ouvido.
- Selecione a temperatura usando os botões +/- . Depois que a temperatura for selecionada, pressione o botão de configurações para selecionar a hora.
- Selecione as horas usando os botões +/- . Pressione o botão de configurações novamente para selecionar os minutos.
- Pressione o botão liga/desliga para confirmar as configurações.
- O aparelho entra no modo de aquecimento. A luz indicadora acenderá em azul.
- A temperatura aparecerá na tela. Para modificar as configurações, pressione o botão liga/desliga por 3 segundos e repita as instruções anteriores.
- Quando o aparelho atingir a temperatura selecionada, serão ouvidos 2 "bipes" e o LED azul piscará. O temporizador começará a contagem regressiva.
- Quando o tempo acabar, 3 "bipes" serão ouvidos e "END" aparecerá no visor. O dispositivo entrará no modo de espera automaticamente.

UMA VEZ CONCLUÍDA A UTILIZAÇÃO DO APARELHO

- Desligue o aparelho, premindo o botão de ligar/desligar durante 3 segundos.
- Desligue o aparelho da corrente elétrica.
- Limpe o aparelho.

PROTETOR TÉRMICO DE SEGURANÇA

- O aparelho dispõe de um dispositivo térmico de segurança que o protege de qualquer sobreaquecimento.
- Se o o aparelho se ligar e desligar alternadamente, não se devendo isto à ação do termóstato de ambiente, verifique se não existe nenhum obstáculo que esteja a impedir ou dificultar a entrada ou saída normal do ar.
- Se o aparelho se desligar sozinho e não se voltar a ligar, retirá-lo da rede eléctrica e aguardar 15 minutos antes de o ligar novamente.
- Se continuar sem funcionar, dirigir-se a um dos serviços de assistência técnica autorizados.

MENSAGENS ESPECÍFICAS

- Pode aparecer no visor a seguinte mensagem EE1, acompanhada de 3 "beeps", o que pode significar que:
 - O nível da água está abaixo do nível mínimo
 - O aparelho saiu da água enquanto estava a funcionar
 - A água evaporou-se.

- O aparelho está a ser utilizado sem água.

Limpeza

- Desligue o aparelho da corrente e deixe-o arrefecer antes de iniciar qualquer operação de limpeza.
- Desmonte o aparelho, agarrando o corpo e rodando o corpo em aço inoxidável no sentido contrário ao dos ponteiros do relógio. (Fig.2).
- Retire o protetor da turbina com uma chave de parafusos.
- Limpe o aparelho e o cabo eléctrico com um pano húmido e seque-os de seguida. **NUNCA MERGULHE O APARELHO OU O CABO ELÉTRICO EM ÁGUA OU EM QUALQUER OUTRO LÍQUIDO.**
- Limpe o aparelho com um pano húmido com algumas gotas de detergente e seque-o de seguida.
- Não utilize solventes, produtos com um fator pH ácido ou básico como a lixívia, nem produtos abrasivos para a limpeza do aparelho.
- Não deixe entrar água ou outro líquido pelas aberturas de ventilação para evitar danos nas partes operativas interiores do aparelho.
- Recomenda-se limpar o aparelho regularmente e retirar todos os restos de alimentos.
- Se o aparelho não for mantido limpo, a sua superfície pode degradar-se e afetar de forma irreversível a duração da vida do aparelho e conduzir a uma situação de perigo.

- As seguintes peças podem ser lavadas em água quente com sabão ou na máquina de lavar louça (com um programa suave de lavagem):
 - Corpo em aço inoxidável.
 - Protetor da turbina
- Em seguida, seque todas as peças antes de montá-las e guardá-las.

Anomalias e reparação

Em caso de avaria, levar o aparelho a um Serviço de Assistência Técnica autorizado. Não o tente desmontar ou reparar, já que pode ser perigoso.

Para as vesões EU do produto e/ou caso aplicável no seu país: ECOLOGIA E RECICLAGEM E DO PRODUTO

- Os materiais que constituem a embalagem deste aparelho estão integrados num sistema de recolha, classificação e reciclagem. Se desejar eliminá-los, utilize os contentores de reciclagem colocados à disposição para cada tipo de material.
- O produto está isento de concentrações de substâncias que possam ser consideradas nocivas para o ambiente.



- Este símbolo significa que se desejar desfazer-se do produto depois de terminada a sua vida útil, deve entregá-lo através dos meios

adequados ao cuidado de um gestor de resíduos autorizado para a recolha selectiva de Resíduos de Equipamentos Elétricos e Eletrónicos (REEE).

Este aparelho cumpre a Diretiva 2014/35/CE de Baixa Tensão, a Diretiva 2014/30/UE de Compatibilidade Eletromagnética a Diretiva 2011/65/UE sobre restrições à utilização de determinadas substâncias perigosas em aparelhos elétricos e eletrónicos e a Diretiva 2009/125/CE sobre os requisitos de design ecológico aplicável aos produtos relacionados com a energia.

Garantia e assistência técnica

Este produto possui reconhecimento e proteção da garantia legal em conformidade com a legislação em vigor. Para fazer valer os seus direitos ou interesses, deve recorrer sempre aos nossos serviços de assistência técnica oficiais. Poderá encontrar o mais próximo de si através do seguinte website:

www.mellerware.com

Pode também solicitar informação relacionada contactando-nos para o número de telefone que aparece no final deste manual.

Pode fazer o download deste manual de instruções e suas atualizações em

www.mellerware.com

Resolução de problemas

Barulho	Em operação normal, a unidade zumbe do motor operacional, impulsor e ventilador de refrigeração.
Ruído da turbina	O corpo de aço inoxidável está solto. Empurre o corpo de aço para dentro da ranhura da guia e gire no sentido horário até ouvir um clique. Com o corpo protegido, o barulho desaparecerá. Também existe a possibilidade de o eixo da turbina ter sido levemente dobrado. Nesse caso, desaparafuse a proteção da turbina e empurre suavemente o impulsor até que esteja centralizado.
Ruído de turbilhão de água	A turbina formou um redemoinho de água como quando uma banheira está sendo esvaziada. Adicione mais água ou mexa a água com uma colher. Não existe uma maneira segura de remover o redemoinho formado devido à rotação da turbina, mas geralmente ele desaparece por conta própria.
Ruído borbulhante + hum	A turbina está aspirando ar - adicione mais água. Pequenas bolhas também devem estar visíveis nas panelas.
Alimentos danificados	Se você estiver cozinhando ovos ou peixes, o jato de água da turbina pode estar quebrando os ovos ou danificando os filés de peixe. Gire a saída da turbina colocando-a em frente à parede do contêiner; isso moderará o fluxo da saída da turbina. Também é aconselhável ensacar os ovos para evitar que eles quebrem em torno de alguns recipientes.
Alarme de nível baixo de água (EE1)	Adicionando mais água, o nível da água pode diminuir durante a operação da turbina devido à turbulência da água.
Alarme de nível baixo de água após alguns segundos de operação (EE1)	Adicione mais água - a turbina gera "ondulações" que podem fazer com que o nível de água nos sensores flutue para cima e para baixo. As ondulações diminuem o nível da água logo abaixo do sensor e causam um alarme de nível baixo da água. Isso é normal e somente mais água precisa ser adicionada.
A temperatura de leitura não corresponde ao termômetro	Os aparelhos de cozimento a baixa temperatura e a vácuo são calibrados para padrões científicos que podem diferir daqueles usados em termômetros comuns.

Sehr geehrte Kunden,

Wir danken Ihnen für Ihre Entscheidung, ein Mellerware Gerät zu kaufen.

Technologie, Design und Funktionalität dieses Gerätes, in Kombination mit der Erfüllung der strengsten Qualitätsnormen, werden Ihnen lange Zeit viel Freude bereiten.

**Tipps und
sicherheitshinweise**

- 1.** Lesen Sie die Gebrauchsanweisung sorgfältig, bevor Sie das Gerät einschalten und bewahren Sie diese zum Nachschlagen zu einem späteren Zeitpunkt auf. Werden die Hinweise dieser Bedienungsanleitung nicht beachtet und eingehalten, kann es zu Unfällen kommen.
 - 2.** Personen, denen es an Wissen im Umgang mit dem Gerät mangelt, geistig behinderte Personen oder Kinder ab 8 Jahren dürfen das Gerät nur unter Aufsicht oder Anleitung über den sicheren Gebrauch des Gerätes benutzen, sofern sie die von dem
- Gerät ausgehenden Gefahren verstehen.
- 4.** Kinder dürfen keine Reinigungs- oder Instandhaltungsarbeiten am Gerät ausführen, sofern sie nicht von einem Erwachsenen beaufsichtigt werden.
 - 5.** Das Gerät wurde nicht entworfen, um als externe Zeitschaltuhr oder Fernbedienung verwendet zu werden.
 - 6.** Dieses Gerät kann in Gefässen gemäss folgender Charakteristiken verwendet werden: 6L – 15L.
 - 7.** Stecken Sie das Gerät aus, bevor Sie es aus der Flüssigkeit nehmen.
 - 8.** Nach dem Ausstecken bleibt das Gerät heiss, berühren Sie es nicht und legen Sie es nicht auf brennbare Oberflächen.
 - 9.** Dieses Gerät ist kein Spielzeug. Kinder müssen beaufsichtigt werden, damit sie nicht mit dem Gerät spielen.

10. Das Versorgungskabel kann nicht ersetzt werden. Wenn das Kabel beschädigt ist, sollte das Gerät verschrottet werden.

11. Dieses Gerät ist ausschließlich für den häuslichen Gebrauch ausgelegt und ist für professionelle oder gewerbliche Zwecke nicht geeignet.

- Vergewissern Sie sich, dass die Spannung auf dem Typenschild mit der Netzspannung übereinstimmt, bevor Sie den Apparat an das Stromnetz anschließen.
- Das Gerät an einen Stromanschluss anschließen, der mindestens 10 Ampere liefert.
- Der Stecker des Geräts muss mit dem Steckdosentyp des Stromanschlusses übereinstimmen. Der Gerätestecker darf unter keinen Umständen modifiziert werden. Keine Adapter für den Stecker verwenden.
- Der Arbeitsplatz soll sauber und gut beleuchtet sein. In unordentlichen und dunklen Zonen kann es zu Unfällen kommen.
- Das Gerät darf nicht mit beschädigtem elektrischem Kabel oder Stecker verwendet werden.
- Sollte ein Teil der Geräteverkleidung beschädigt sein, ist die Stromzufuhr umgehend zu unterbrechen, um einen möglichen elektrischen Schlag zu vermeiden.
- Das Gerät nicht benutzen, wenn es heruntergefallen ist, sichtbare Schäden aufweist oder undicht ist.
- Nicht mit Gewalt am elektrischen Anschlusskabel ziehen. Benutzen Sie das elektrische Kabel nicht zum Anheben oder Transportieren des Geräts. Den Stecker nicht am Kabel aus der Dose ziehen.
- Kabel nicht um das Gerät rollen.
- Achten Sie darauf, dass das elektrische Kabel nicht getreten oder zerknittert wird.
- Achten Sie darauf, dass das elektrische Verbindungskabel nicht mit heißen Teilen des Geräts in Kontakt kommt.
- Überprüfen Sie den Zustand des elektrischen Verbindungskabels. Beschädigte oder verwickelte Kabel erhöhen das Risiko von elektrischen Schlägen.
- Berühren Sie den Stecker nicht mit feuchten Händen.
- Wärmeunempfindliche Personen dürfen das Gerät nicht verwenden (da das Gerät mit erhitzbaren Flächen ausgestattet ist).
- Die erhitzten Teile des Gerätes nicht berühren, da sie schwere Verbrennungen verursachen können.

BENUTZUNG UND PFLEGE

- Vor jedem Gebrauch des Geräts das Stromkabel vollständig abwickeln.
- Gerät nicht benutzen, wenn Zubehör oder Ersatzteile nicht richtig befestigt sind.
- Gerät nicht benützen, wenn die Zubehörteile mangelhaft sind. Ersetzen Sie diese sofort.
- Niemals das Gerät ohne Wasser einschalten.
Benützen Sie das Gerät nicht, wenn der An-/Ausschalter nicht funktioniert.
- Verwenden Sie das Gerät nicht im gekippten oder umgedrehten Zustand.
- Solange das Gerät in Betrieb oder ans Netz geschlossen ist, darf es nicht umgedreht werden.
- Achten Sie auf die MAX- und MIN-Markierungen.
- Das Gerät außerhalb der Reichweite von Kindern und/oder Personen mit eingeschränkten körperlichen, sensorischen oder geistigen Fähigkeiten bzw. Personen ohne ausreichende Erfahrung und Kenntnisse aufbewahren.
- Das Gerät nicht wegräumen, wenn es noch heiß ist.
- Verbrennungsrisiko: Der Kochbehälter, der Edelstahlteil des Geräts und die Lebensmittelbeutel werden bei Gebrauch heiss. Während der Handhabung des Geräts sollten Handschuhe oder Ofenzangen verwendet werden. Lassen Sie das System abkühlen, bevor Sie das Wasserbad leeren.

- Halten Sie das Gerät in gutem Zustand. Stellen Sie sicher, dass die beweglichen Teile ausgerichtet und nicht verklemt sind, und dass keine beschädigten Teile oder andere Bedingungen vorliegen, die den Betrieb des Geräts behindern können.
- Das Gerät nur mit Wasser verwenden.
- Kein entionisiertes Wasser verwenden.

ANWENDUNGEN

- Kochen von vorher vakuumverpackten Lebensmitteln (Fleisch, Fisch, Geflügel, Gemüse, Terrinen, Pasteten, Marmeladen, Konserven, Aromaölen...).
- Pasteurisierung (85°C) von mit traditionellen Techniken gekochten Erzeugnissen.

VORTEILE

- Das Kochen bei niedriger Temperatur vermeidet den Flüssigkeitsverlust und Austrocknung der Lebensmittel und respektiert ihre natürliche Struktur im vollen Umfang.
 - Vakuumkochen verstärkt die Aromen und den Geschmack der verwendeten Lebensmittel und Gewürze.
 - Wird die Kochfolge beachtet, verlängert sich die Lebenszeit der Speisen erheblich
 - Ermöglicht das Vorkochen von Speisen
 - Beim Kochen in Wasser erzielen wir präzisere Ergebnisse als in einem Heissluftofen.

Service

Unsachgemäße Verwendung bzw. Nichteinhaltung der Gebrauchsanweisung kann Gefahren zur Folge haben und führt zum Erlöschen der Garantieansprüche sowie der Haftung des Herstellers.

Beschreibung

A – Kontrollleuchte
 B – Klemme
 C – Edelstahlkörper
 D – Turbinenschutz

SCHALTAFEL

E – Bildschirm
 F – Taste +
 G – Taste –
 H – An/aus Schalter
 I – Schaltfläche Einstellungen

Wenn das Modell Ihres Geräts nicht über das oben beschriebene Zubehör verfügt, können Sie es auch separat beim Technischen Kundendienst erwerben.

BENUTZUNGSHINWEISE VOR DER BENUTZUNG

Vergewissern Sie sich, dass Sie das gesamte Verpackungsmaterial des Produkts entfernt haben.

MONTAGE DES EDELSTAHLKÖRPERS

Halten Sie das Gerät so, dass das Entriegelungssymbol und der Pfeil übereinstimmen. Drehen

Sie den Edelstahlkörper im Uhrzeigersinn bis der Pfeil und das Verriegelungssymbol sich auf derselben horizontalen Position befinden (Fig. 1).

VERWENDEN

- Ziehen Sie das Kabel vollständig heraus, bevor Sie es anschließen.
- Schließen Sie das Gerät fest, indem Sie es an die Seite des Topfes oder Behälters halten.
- Das Gerät benötigt einen 6-15L Topf oder Behälter.
- Schließen Sie das Gerät an das Stromnetz an.
- Die Anzeigelampe leuchtet rot und das Gerät wechselt in den Standby-Modus.
- Drücken Sie die Ein/Aus-Taste, um den Einstellungsmodus aufzurufen. Ein Piepton ist zu hören.
- Wählen Sie die Temperatur mit den Tasten +/- . Sobald die Temperatur ausgewählt ist, drücken Sie die Einstellungstaste, um die Uhrzeit auszuwählen.
- Wählen Sie die Stunden mit den Tasten +/- aus. Drücken Sie die Einstellungstaste erneut, um die Minuten auszuwählen.
- Drücken Sie die Ein/Aus-Taste, um die Einstellungen zu bestätigen. Das Gerät wechselt in den Heizmodus. Die Anzeigelampe leuchtet blau.
- Die Temperatur wird auf dem Bildschirm angezeigt.
- Um die Einstellungen zu ändern, drücken Sie die Ein/Aus-Taste 3

Sekunden lang und wiederholen Sie die vorherigen Anweisungen.

- Wenn das Gerät die ausgewählte Temperatur erreicht, ertönen 2 Pieptöne und die blaue LED blinkt. Der Timer beginnt herunterzuzählen.
- Wenn die Zeit abgelaufen ist, ertönen 3 Pieptöne und auf dem Display erscheint „END“. Das Gerät wechselt automatisch in den Standby-Modus.

NACH DER BENUTZUNG DES GERÄTS

- Die An-/Aus-Taste 3 Sekunden lang drücken, um das Gerät auszuschalten.
- Den Stecker aus der Netzdose ziehen.
- Das Gerät säubern

WÄRMESCHUTZSCHALTER

- Das Gerät ist mit einem Wärmeschutzschalter ausgestattet, wodurch es gegen Überhitzung geschützt ist.
- Bei abwechselndem Ein- und Ausschalten des Gerätes, das nicht durch den Raumthermostat ausgelöst wird, ist zu überprüfen, ob der normale Ein- oder Austritt der Luft durch ein Objekt verhindert oder erschwert wird.
- Schaltet sich das Gerät von selbst aus und nicht wieder ein, unterbrechen Sie die Stromzufuhr, warten Sie 15 Minuten und schalten es wieder ein.

Spezielle Hinweise

- Auf dem Bildschirm kann der folgende Hinweis EE1 mit einem „Piep“ erscheinen, was bedeuten kann:
 - Der Wasserstand befindet sich unter dem Mindestmass.
 - Das Wasser im Gerät ist getrocknet, während es in Betrieb war.
 - Das Wasser ist verdunstet.
 - Das Gerät wird ohne Wasser verwendet.

Reinigung

- Ziehen Sie den Stecker heraus und lassen Sie das Gerät abkühlen, bevor Sie mit der Reinigung beginnen.
- Das Gerät auseinanderbauen, indem Sie das Gehäuse festhalten und das Edelstahlgehäuse gegen den Uhrzeigersinn drehen (Fig. 2).
- Den Turbinenschutz mit einem Schraubenzieher entfernen.
- Reinigen Sie die elektrische Einheit und den Netzstecker mit einem feuchten Tuch und trocknen Sie diese danach ab. **NIEMALS IN WASSER ODER EINE ANDERE FLÜSSIGKEIT EINTAUCHEN.**
- Reinigen Sie das Gerät mit einem feuchten Tuch, auf das Sie einige Tropfen Reinigungsmittel geben und trocknen Sie es danach ab.
- Verwenden Sie zur Reinigung des Geräts weder Löse- oder Scheuermittel noch Produkte mit einem sauren oder basischen pH-Wert wie z.B. Lauge.

- Lassen Sie kein Wasser oder andere Flüssigkeiten in die Belüftungsöffnungen eindringen, um Schäden an den inneren Funktionsteilen des Gerätes zu vermeiden.
- Es wird empfohlen, Speisereste regelmäßig vom Gerät zu entfernen.
- Halten Sie das Gerät nicht sauber, so könnten sich der Zustand seiner Oberfläche verschlechtern, seine Lebenszeit negativ beeinflusst und gefährliche Situationen verursacht werden.
- Folgende Teile sind für die Reinigung in warmem Seifenwasser oder in der Spülmaschine (kurzes Spülprogramm) geeignet:
 - Gehäuse aus Edelstahl.
 - Turbinenschutz
- Trocknen Sie alle Teile gut ab, bevor Sie das Gerät montieren und aufbewahren.

Störungen und reparatur

Bei Schäden und Störungen bringen Sie das Gerät zu einem zugelassenen Technischen Kundendienst. Versuchen Sie nicht, das Gerät selbst auseinanderzubauen und zu reparieren. Das könnte Gefahren zur Folge haben.

Für die EU- Ausführungen des produkts und/oder für Länder, in denen diese Vorschriften Anzuwenden sind: ÖKOLOGIE UND RECYCLING DES PRODUKTS

- Die zur Herstellung des Verpackungsmaterials dieses Geräts verwendeten Materialien sind im Sammel-, Klassifizierungs- und Recyclingsystem integriert. Wenn Sie es entsorgen möchten, so können Sie die öffentlichen Container für die betreffenden Materialarten verwenden.
- Das Produkt ist frei von umweltschädlichen Konzentrationen von Substanzen.



- Dieses Symbol weist darauf hin, dass das Produkt, wenn Sie es am Ende seiner Lebensdauer entsorgen wollen, in geeigneter

Weise bei einer zugelassenen Entsorgungsstelle abzugeben ist, um die getrennte Sammlung von Elektro- und Elektronikgeräte-Abfall (WEEE) sicherzustellen.

Dieses Gerät erfüllt die Richtlinie 2014/35/EU über Niederspannung, die Richtlinie 2014/30/EU über elektromagnetische Verträglichkeit, die Richtlinie 2011/65/EU zur Beschränkung der Verwendung bestimmter gefährlicher Stoffe in Elektro- und Elektronikgeräten

und die Richtlinie 2009/125/EG über die Anforderungen an die umweltgerechte Gestaltung energiebetriebener Produkte.

Garantie und technischer Service

Dieses Produkt wird gemäss der geltenden Gesetzgebung durch die rechtliche Garantie anerkannt und geschützt. Um Ihre Rechte und Interessen geltend zu machen, müssen Sie eines unserer offiziellen Servicezentren aufsuchen. Über folgenden Link finden Sie ein Servicezentrum in Ihrer Nähe:
www.mellerware.com

Sie können auch Informationen einholen, indem Sie uns unter der am Ende dieses Handbuches angegebenen Telefonnummer anrufen. Sie können dieses Benutzerhandbuch und seine Aktualisierungen unter www.mellerware.com

Fehlerbehebung

Lärm	Im Normalbetrieb summt das Gerät vom Betriebsmotor, dem Laufrad und dem Lüfter.
Turbinengeräusch	Der Edelstahlkörper ist locker. Schieben Sie den Stahlkörper nach oben in die Führungsnut und drehen Sie ihn im Uhrzeigersinn, bis Sie ein Klicken hören. Wenn der Körper gesichert ist, verschwindet das Geräusch. Es besteht auch die Möglichkeit, dass die Turbinenwelle leicht verbogen wurde. In diesem Fall den Turbinenschutz abschrauben und das Laufrad vorsichtig drücken, bis es zentriert ist.
Wasserwirbelgeräusch	Die Turbine hat einen Wasserstrudel gebildet, wie wenn eine Badewanne geleert wird. Fügen Sie mehr Wasser hinzu oder rühren Sie das Wasser mit einem Löffel. Es gibt keine sichere Möglichkeit, den durch die Turbinendrehung gebildeten Wirbel zu entfernen, aber er verschwindet normalerweise von selbst.
Sprudelndes Geräusch + Brummen	Die Turbine saugt Luft an – fügen Sie mehr Wasser hinzu. Kleine Blasen sollten auch im Kochgeschirr sichtbar sein.
Lebensmittelschaden	Wenn Sie Eier oder Fisch kochen, kann der Wasserstrahl der Turbine die Eier knacken oder die Fischfilets beschädigen. Drehen Sie den Turbinenauslass, indem Sie ihn vor die Behälterwand stellen. Dadurch wird die Strömung aus dem Turbinenauslass gemildert. Es ist auch ratsam, die Eier zu verpacken, um zu verhindern, dass sie um einige Behälter herum brechen.
Alarm für niedrigen Wasserstand (EE1)	Wenn mehr Wasser hinzugefügt wird, kann der Wasserstand während des Betriebs der Turbine aufgrund der Turbulenzen des Wassers abnehmen.
Der Alarm für niedrigen Wasserstand wird nach einigen Sekunden Betrieb aktiviert (EE1).	Fügen Sie mehr Wasser hinzu – die Turbine erzeugt "Wellen", die dazu führen können, dass der Wasserstand in den Sensoren auf und ab schwankt. Die Wellen senken den Wasserstand direkt unter dem Sensor und lösen einen Alarm für niedrigen Wasserstand aus. Dies ist normal und es muss nur mehr Wasser hinzugefügt werden.
Die abgelesene Temperatur stimmt nicht mit dem Thermometer überein	Niedertemperatur- und Vakuumkochgeräte werden nach wissenschaftlichen Standards kalibriert, die von denen in herkömmlichen Thermometern abweichen können.

Gentile Cliente:

Le siamo grati per aver acquistato un elettrodomestico della marca Mellerware.

La sua tecnologia, il suo design e la sua funzionalità, oltre al fatto di aver superato le più rigorose norme di qualità, le assicureranno una totale soddisfazione durante molto tempo.

Consigli e avvertimenti di sicurezza

- 1.** Prima di utilizzare l'apparecchio, leggere attentamente le istruzioni riportate nel presente opuscolo e conservarlo per future consultazioni. La mancata osservanza delle presenti istruzioni può essere causa di incidenti.
- 2.** Prima del primo utilizzo pulire tutte le parti del prodotto che possono venire a contatto con gli alimenti, procedendo come indicato nella sezione pulizia.
- 3.** Questo apparato può essere utilizzato da persone che non ne conoscono il funzionamento, persone disabili o bambini di età superiore agli 8 anni, ma esclusivamente sotto la sorveglianza di un adulto o nel caso abbiano ricevuto le dovute istruzioni per utilizzarlo in completa sicurezza e ne comprendano i rischi.
- 4.** Questo apparecchio non è un giocattolo. Assicurarsi che i bambini non giochino con l'apparecchio.
- 5.** I bambini possono eseguire operazioni di pulizia o di manutenzione dell'apparecchio solo se sorvegliati da un adulto.
- 6.** Il dispositivo non è progettato per funzionare tramite un timer esterno o un sistema di controllo remoto separato.
- 7.** Questo apparecchio può essere utilizzato in contenitori secondo le seguenti caratteristiche: 6L - 15L.
- 8.** Scollegare l'apparecchio prima di rimuoverlo dal liquido.
- 9.** Dopo averlo scollegato, l'apparecchio rimarrà ancora caldo, non dovrebbe essere

toccato o posizionato su una superficie infiammabile.

10. Il cavo di alimentazione non può essere sostituito. Se il cavo è danneggiato, l'apparecchio deve essere rottamato.

11. Questo apparecchio è destinato unicamente ad un uso domestico, non professionale o industriale.

- Prima di collegare l'apparecchio alla rete, verificare che la tensione indicata sulla targhetta corrisponda alla tensione di rete.
- Collegare l'apparecchio a una presa che supporti almeno 10 amp.
- La spina dell'apparecchio deve coincidere con la base elettrica della presa. Non modificare mai la spina.
- Non utilizzare adattatori per spine.
- Non forzare il cavo di collegamento elettrico. Non utilizzare mai il cavo elettrico per sollevare, trasportare o scollegare l'apparecchio.
- Non avvolgere il cavo di collegamento elettrico attorno all'apparecchio.
- Controllare le condizioni del cavo di collegamento elettrico. I cavi danneggiati o aggrovigliati aumentano il rischio di scosse elettriche.
- Non toccare la spina di collegamento con le mani bagnate.

- Non utilizzare l'apparecchio con il cavo elettrico o la spina danneggiati.
- Se uno qualsiasi degli involucri dell'apparecchio si rompe, scollegare immediatamente l'apparecchio dalla rete elettrica per evitare la possibilità di scosse elettriche.
- Non utilizzare l'apparecchio se è stato fatto cadere, se sono visibili segni di danneggiamento o se c'è una perdita.
- Non utilizzare l'apparecchio, nel caso di persone insensibili al calore (poiché l'apparecchio ha superfici riscaldate).
- Non toccare le parti riscaldate dell'apparecchio, in quanto possono causare ustioni.

USO E CURA

- Prima di ogni utilizzo, estendere completamente il cavo di alimentazione dell'apparecchio.
- Non utilizzare l'apparecchio se i suoi accessori non sono correttamente collegati.
- Non utilizzare l'apparecchio se gli accessori ad esso collegati sono difettosi. Procedere a sostituirli immediatamente.
- Non avviare l'apparecchio senza acqua.
- Non utilizzare l'apparecchio se il dispositivo di avvio / arresto non funziona.
- Non utilizzare l'apparecchio in un angolo, né capovolgerlo.
- Non capovolgere l'apparecchiatura mentre è in uso o connessa alla rete.
- Rispettare i livelli MAX e MIN.

- Tenere questo dispositivo fuori dalla portata di bambini e / o persone con ridotte capacità fisiche, sensoriali o mentali o mancanza di esperienza e conoscenza.
- Non conservare o trasportare l'apparecchio se è ancora caldo.
- Pericolo di ustioni - Le pentole, la parte in acciaio inossidabile dell'elettrodomestico e i sacchetti per alimenti diventano caldi quando vengono utilizzati. Si consiglia di utilizzare guanti o guanti da forno durante la manipolazione. Lasciare raffreddare il sistema prima di svuotare il bagno d'acqua.
- Mantenere l'apparecchio in buone condizioni. Verificare che le parti mobili non siano arruffate o bloccate, che non vi siano parti rotte o altre condizioni che potrebbero compromettere il corretto funzionamento dell'apparecchio.
- Utilizzare l'apparecchio solo con acqua.
- Non usare acqua deionizzata.

APPLICAZIONI

- Cottura di prodotti precedentemente confezionati sotto vuoto (carne, pesce, pollame, verdure, terrine, patè, marmellate, conserve, oli aromatici ...).
- Pastorizzazione (85 ° C) di elaborazioni preparate con tecniche tradizionali.

VANTAGGIO

- La cottura a basse temperature evita la perdita di liquidi, la disidratazione e l'essiccazione degli alimenti, rispettando il più possibile la sua struttura naturale.
- La cottura sottovuoto esalta gli aromi e i sapori dei cibi e dei condimenti utilizzati.
Il rispetto della catena di cottura prolunga notevolmente la vita del cibo.
- Permette di preparare i piatti in anticipo.
- Cucinando in acqua garantiamo risultati più accurati rispetto a un forno a convezione.

Servizio

Il produttore invalida la garanzia e declina ogni responsabilità in caso di uso inappropriato dell'apparecchio o non conforme alle istruzioni d'uso.

Descrizione

- A - Spia
- B - Gripper
- C - Corpo in acciaio inossidabile
- D - Protezione della turbina

PANNELLO DI CONTROLLO

- E - Schermo
- F - Pulsante +
- G - Pulsante -
- H - Pulsante on / off
- I - Pulsante Impostazioni

Se il modello del dispositivo non dispone degli accessori sopra descritti, possono anche essere acquistati separatamente dai Servizi di assistenza tecnica.

Modalità operativa

NOTE PRECEDENTI DA UTILIZZARE

Assicurarsi di aver rimosso tutto il materiale di imballaggio dal prodotto.

MONTARE IL CORPO IN ACCIAIO INOSSIDABILE

Afferrare l'apparecchio e allineare il simbolo di sblocco e la freccia, ruotare il corpo in acciaio inossidabile in senso orario fino a visualizzare la freccia e il simbolo di blocco nella stessa posizione (Fig. 1).

UTILIZZO

- Estendere completamente il cavo prima di collegarlo.
- Bloccare saldamente l'apparecchio tenendolo sul lato della pentola o del contenitore.
- L'apparecchio necessita di una pentola o un contenitore da 6-15 litri
- Collegare l'apparecchio alla rete elettrica.
- La spia si illumina in rosso e l'apparecchio entra in modalità standby.
- Premere il pulsante on/off per accedere alla modalità di impostazione. Verrà emesso un segnale acustico.

- Selezionare la temperatura usando i pulsanti +/- . Una volta selezionata la temperatura, premere il pulsante Impostazioni per selezionare l'ora.
- Seleziona le ore usando i pulsanti +/- . Premere di nuovo il pulsante Impostazioni per selezionare i minuti.
- Premere il pulsante on / off per confermare le impostazioni.
- L'apparecchio entrerà in modalità riscaldamento. La spia si illumina di blu.
- La temperatura apparirà sullo schermo.
- Per modificare le impostazioni, premere il pulsante on/off per 3 secondi e ripetere le istruzioni precedenti.
- Quando l'apparecchio raggiunge la temperatura selezionata, verranno emessi 2 segnali acustici e il LED blu lampeggerà. Il timer inizierà il conto alla rovescia.
- Allo scadere del tempo, si sentiranno 3 "bip" e sul display apparirà "END". Il dispositivo entrerà automaticamente in modalità standby.

UNA VOLTA COMPLETATO L'USO DELL'APPARECCHIO

- Arrestare l'apparecchio premendo il pulsante on / off per 3 secondi.
- Staccare la spina dalla presa di corrente.
- Pulire l'apparecchio.

PROTEZIONE TERMICA DI SICUREZZA

- L'apparecchio ha un dispositivo di sicurezza termica che protegge l'apparecchio da qualsiasi surriscaldamento.
- Quando l'apparecchio viene acceso e spento alternativamente, non a causa dell'azione del termostato ambiente, verificare che non vi siano ostacoli che impediscono o ostacolano il normale ingresso o uscita dell'aria.
- Se l'apparecchio si disconnette da solo e non si ricollega, procedere alla disconnessione dalla rete elettrica, attendere circa 15 minuti prima di ricollegarlo. Se continua a non funzionare, rivolgersi a uno dei servizi di assistenza tecnica autorizzati.

MESSAGGI SPECIALI

- Sullo schermo potrebbe comparire il seguente messaggio EE1, accompagnato da 3 "beep", che possono significare che:
 - Il livello dell'acqua è inferiore al livello minimo.
 - L'apparecchio è stato rimosso dall'acqua durante il lavoro.
 - L'acqua è evaporata.
 - L'apparecchio viene utilizzato senza acqua.

Pulizia

- Scollegare l'apparecchio dalla rete elettrica e lasciarlo raffreddare prima di iniziare qualsiasi operazione di pulizia.

- Smontare l'apparecchio, trattenendo il corpo e ruotando il corpo in acciaio inossidabile in senso antiorario (Fig. 2).
- Rimuovere la protezione della turbina con un cacciavite.
- Pulire il gruppo elettrico e il connettore di rete con un panno umido e asciugarli successivamente. **NON IMMERSI MAI IN ACQUA O IN QUALUNQUE ALTRO LIQUIDO.**
- Pulire l'apparecchio con un panno umido impregnato di alcune gocce di detersivo e asciugarlo successivamente.
- Non utilizzare solventi o prodotti con un fattore di pH acido o basico come candeggina o abrasivi per pulire l'apparecchio.
- Evitare che acqua o altri liquidi penetrino nelle aperture di ventilazione per evitare danni alle parti operative interne dell'apparecchio.
- Si consiglia di pulire regolarmente l'apparecchio e rimuovere tutti i resti di cibo.
- Se l'apparecchio non viene mantenuto in buono stato di pulizia, la sua superficie può degradarsi e compromettere inesorabilmente la vita dell'apparecchio e portare a una situazione pericolosa.
- Le seguenti parti sono adatte per la pulizia in acqua calda e sapone o in lavastoviglie (utilizzando un programma di lavaggio delicato):
 - Corpo in acciaio inossidabile.

- Protezione turbina
- Quindi asciugare tutte le parti prima del montaggio e dello stoccaggio.

Anomalie e riparazioni

In caso di guasto, rivolgersi a un Centro di Assistenza Tecnica autorizzato. Non tentare di smontare o riparare l'apparecchio in quanto ciò potrebbe comportare rischi di sicurezza.

Per i prodotti dell'Unione Europea e/o nel caso in cui sia previsto sulla legislazione del suo paese d'origine:

PRODOTTO ECOLOGICO E RICICLABILE

- Il materiali che costituiscono l'imballaggio di questo apparecchio sono compresi in un sistema di raccolta, classificazione e riciclaggio degli stessi. Per lo smaltimento, utilizzare gli appositi contenitori pubblici, adatti per ogni tipo di materiale. Il prodotto non contiene concentrazioni di sostanze considerate dannose per l'ambiente.



- Questo simbolo indica che, per smaltire il prodotto al termine della sua durata utile, occorre depositarlo presso un ente di smaltimento autorizzato

alla raccolta differenziata di rifiuti di apparecchiature elettriche ed elettroniche (RAEE).

Questo apparecchio rispetta la Direttiva 2014/35/UE di Bassa Tensione, la Direttiva 2014/30/UE di Compatibilità Elettromagnetica, la Direttiva 2011/65/UE sui limiti d'impiego di determinate sostanze pericolose negli apparecchi elettrici ed elettronici e la Direttiva 2009/125/CE riguardante l'Ecodesign dei prodotti che consumano energia.

Garanzia e assistenza tecnica

Questo prodotto possiede il riconoscimento e la protezione della garanzia legale di conformità con la legislazione vigente. Per far valere i suoi diritti o interessi, dovrà rivolgersi a uno qualsiasi dei nostri servizi ufficiali di assistenza tecnica. Può trovare il più vicino cliccando sul seguente link:

www.mellerware.com

Può anche richiedere informazioni a tale riguardo mettendosi in contatto con noi tramite il numero di telefono che appare alla fine di questo manuale. Può scaricare questo manuale di istruzioni e i suoi aggiornamenti da www.mellerware.com

Risoluzione dei problemi

Rumore	Durante il normale funzionamento, l'unità emette un ronzio dal motore di comando, dalla girante e dalla ventola di raffreddamento.
Rumore della turbina	Il corpo in acciaio inossidabile è allentato. Spingere il corpo in acciaio nella scanalatura della guida e ruotare in senso orario fino a quando non si sente un clic. Con il corpo protetto, il rumore scompare. C'è anche la possibilità che l'albero della turbina sia stato leggermente piegato. In questo caso, svitare la protezione della turbina e spingere delicatamente la girante fino a quando non è centrata.
Rumore di turbino d'acqua	La turbina ha formato un mulinello d'acqua come quando si svuota una vasca da bagno. Aggiungi più acqua o mescola con un cucchiaino. Non esiste un modo sicuro per rimuovere il vortice formato a causa della rotazione della turbina, ma di solito scompare da solo.
Rumore gorgogliante + ronzio	La turbina aspira aria - aggiungi più acqua. Piccole bolle dovrebbero anche essere visibili nelle pentole.
Cibo danneggiato	Se stai cucinando uova o pesce, il getto d'acqua della turbina potrebbe rompere le uova o danneggiare i filetti di pesce. Ruotare l'uscita della turbina posizionandola di fronte alla parete del contenitore; questo modererà il flusso dall'uscita della turbina. Si consiglia inoltre di insaccare le uova per evitare che si rompano attorno ad alcuni contenitori.
Allarme livello acqua basso (EE1)	Aggiungendo più acqua, il livello dell'acqua potrebbe diminuire durante il funzionamento della turbina a causa della turbolenza dell'acqua.
Allarme livello acqua basso dopo alcuni secondi di funzionamento (EE1)	Aggiungi più acqua: la turbina genera "increspature" che possono far fluttuare il livello dell'acqua nei sensori su e giù. Le increspature abbassano il livello dell'acqua appena sotto il sensore e causano un allarme di livello dell'acqua basso. Questo è normale e occorre aggiungere solo più acqua.
La temperatura di lettura non corrisponde al termometro	Gli apparecchi di cottura a bassa temperatura e sotto vuoto sono calibrati su standard scientifici che possono differire da quelli utilizzati nei comuni termometri.

Country	Address	Phone
Algeria	Zone d'Activite, n°62, Constantine	213770777756
Argentina	Av. del Libertador 1298, (B1638BEY), Vicente López (Pcia. Buenos Aires)	541153685223
Belgium	Mariëndonkstraat 5, 5154 EG, Elshout Benin 359 Av. Steinmetz, 1930, Cotonou	31620401500 0299-21313798
Bulgaria	265, Okolovrasten Pat, Mladost 4, 1766, Sofia	35929211120 35929211193
Burkina Faso	Avenue Bassawarga, 01 BP915, Ouagadougou	226 25301038
Congo (Republic of)	98 Blvd General Charles de Gaulle, Pointe Noire	242066776656
Cyprus	20, Bethlehem Str. / P.O.Box 20430, 2033, Strovolo	35722711300
Czech Republic	Milady Horakove 357/4, 568 02, Svitavy 4	20 461 540 130
Democratic Republic of the Congo	AV. Pont Canale N° 3440, Kinshasa	00243-991223232
Equatorial Guinea	SN Av Patricio Lumumba y C/ Jesus B, Bata	00240 333 082958 00240 333 082453
Equatorial Guinea	Calle de las Naciones Unidas, PO box 762, Malabo	240333082958 240333082453
España	Avda Barcelona, S/N, 25790 Oliana (Lleida) hi@mellerware.com	900828911

Country	Address	Phone
Ethiopia	Lideta Sub City Kebele 10 H.NO 124, Addis Ababa	+251 11 5518300
France	Za les bas musats 18, 89100, Malay-le-Grand	03 86 83 90 90
Gabon	BP 574, Port-Gentil Centre-ville	24101552689 24101560698
Ghana	Ederick Place, Accra-Ghana	302682448 302682404
Gibraltar	11 Horse Barrack Lane, 54000, Gibraltar	00350 200 75397 00350 200 41023
Greece	Sapfous 7-9, 10553, Athens	+30 21 0373 7000
Guinea	BP 206, GN, Conakry	(224) 622204545
Hong Kong	Unit H,13/F., World Tech Centre, Hong kong	(852) 2448 0116 9197 3519
Hungary	Késmárk utca 11-13, 1158, Budapest	+36 1 370 4519
India	C-175, Sector-63, Noida, Gautam Budh Nagar - 201301, Delh	(+91) 120 4016200
Ivory Coast	01 Rue Des Carrossiers-Zone 3, B.P 3747, Abidjan 01 (RCI)	22521251820 225 21 353494
Jordan	28 Basman St Down town, Amman	+962 6 46 222 68
Kuwait	P.O. BOX 3379 hawally, 32034, Hawally	+965 2200 1010
Lebanon	Damascus Highway; Sciale Building, Jamhour	9615922963

Country	Address	Phone
Luxembourg	Mariëndonkstraat 5, 5154 EG, Elshout	31620401500
Mali	BP E2900, Dravela Bolibana	223227216 / 223227259
Marruecos	Avenue 2 Mars, Résidence Nassrallah, Appt n° 2 1er, Casablanca	(+212) 522 86 30 95
Mauritania	134 Avenue Gamal Abdener llot D, Nouakchott	2225254469 / 2225251258
Mexico	Rosas Moreno N° 4-203 Colonia de San Rafael C.P. 06470 – Delegación Cuauhtémoc, Ciudad de México	(+52) 55 55468162
Montenegro	Rastovac bb, 81400, Niksic	+382 40 217 055
Netherlands	Mariëndonkstraat 5, 5154 EG, Elshout	31620401500
Nigeria	8, Isaac; John Str,G.R.A Ikeja Lagos	23408023360099
Paraguay	Denis Roa 155 c/ Guido Spano, Asunción	21665100
Peru	Calle los Negocios 428, Surquillo, Lima	(511) 421 6047
Portugal	Avenida Rainha D. Amélia, n°12-B, 1600-677, Lisboa	+351 210966324
Romania	Dudesti Pantelimon 23, 410554, Bucharest	031.805.49.58
Serbia	Rastovac bb, 81400, Niksic	+382 40 217 055

Country	Address	Phone
Slovakia	Milady Horakove 357/4, 568 02, Svitavy	420 461 540 130
Southafrica	Unit 25 & 26, San Croy Office Park, Die Agora Road, Croydon, Kempton Park, 1619, Johannesburg	(+27) 011 392 5652
Tunisia	2, Rue de Turquie, Tunis	21671333066
Ukraine	Block 6, Ap Housing Estate Topol-2, B, 49000, Dnepropetrovsk	380563704161 380563704161
United Arab Emirates	P.O.BOX 8543, Dubai	14506246200
Uruguay	Luis Alberto de Herrera 3468, 11600, Montevideo	598 2209 28 00
Vietnam	Lot 7 Ind. Zone for, Ha Noi	84437658111 84437658110

Durban

35 Adrain Road, Windermere
Durban, South Africa, 4001
Tel.: +27 31 303 3465
Fax: +27 31 303 8259

Johannesburg

Unit 25 & 26 San Croy office Park
Die Agora Road, Croydon, 1619
Tel.: +27 11 329 5652
Fax: +27 11 392 1694

creative housewares

20 Tekstiel St, Parrow. Cape Town. 7493, RSA
P.O. Box 6156 Parrow East, 7501, RSA.
Tel.: +27 21 931 8117 / Helpline: 086 111 5006
Tel.: +27 63 014 0457
Fax: +27 21 931 4058
www.creativehousewares.co.za

mellerware®

Engineering Technology for life, S.L.

Av. Barcelona, s/n
25790, Oliana – Lleida – Spain
www.mellerware.com