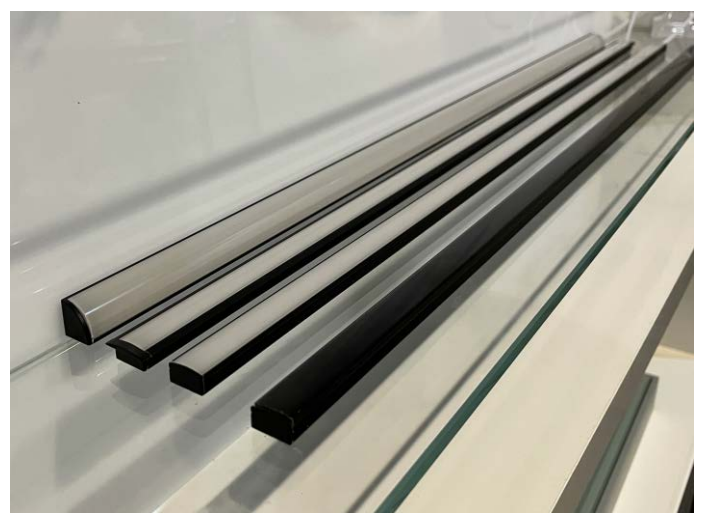


PROFILE BLACK 2216



PROFILE LP001 BLACK 2216



Profile LP001

Even light distribution with no dark spots

- ◆ 240 LEDs per metre, no spotting
- ◆ Black Recessed Profile
- ◆ Bespoke lengths made to order
- ◆ 12V Power supply required
- ◆ Simple and elegant appearance
- ◆ Please ring for exact price
- ◆ 3 Covers Available
Black - Mood Lighting Only
Opal - Task Lighting
Clear - Dots Visible, Brightest Option



2216 -240 LEDs per m

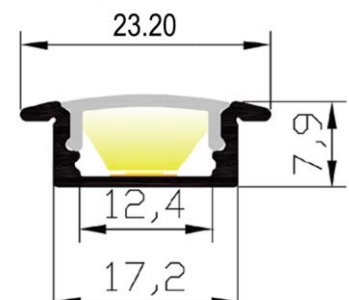
A 12V Power Supply will be required from our range



See our Dimmers range



Model		ED125-LP001-BLK-2216-240L		
Power		1m -2216 240L		Bespoke Lengths
Input Voltage	Dimmable with	12V DC		
Current	ED08-SF-TOUCH-4-DIM	2000mA		
Light Source		240 2216 SMD LEDs Per Metre - 14.9W		
PCB Width		10mm		
CCT		3000/4000/6000K		
Beam Angle		120°		
Luminous Flux Per Metre	3000K	1200lm±5%		TBC lm±5%
	4000K	1300lm±5%		TBC lm±5%
	6000K	1420m±5%		TBC lm±5%
Surface Material		Black Anodized Aluminium		



PROFILE LP002 BLACK 2216



2216 - 240 LEDs per m

Profile LP002 Even light distribution with no dark spots

- ◆ 240 LEDs per metre, no spotting
- ◆ Black Surface Profile
- ◆ Bespoke lengths made to order
- ◆ 12V Power supply required
- ◆ Simple and elegant appearance
- ◆ Please ring for exact price
- ◆ 3 Covers Available
Black - Mood Lighting Only
Opal - Task Lighting
Clear - Dots Visible, Brightest Option

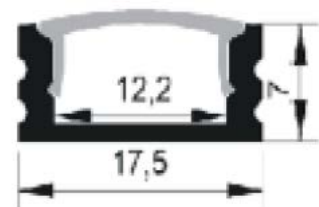
A 12V Power Supply will be required from our range



See our Dimmers range



Model		ED125-LP002-BLK-2216-240L		
Power		1m -2216 240L		Bespoke Lengths
Input Voltage	Dimmable with	12V DC		
Current	ED08-SF-TOUCH-4-DIM	2000mA		
Light Source		240 2216 SMD LEDs Per Metre - 14.9W		
PCB Width		10mm		
CCT		3000/4000/6000K		
Beam Angle		120°		
Luminous Flux Per Metre	3000K	1200lm±5%		TBC lm±5%
	4000K	1300lm±5%		TBC lm±5%
	6000K	1420m±5%		TBC lm±5%
Surface Material		Black Anodized Aluminium		



PROFILE LP006 BLACK 2216



Profile LP006 Even light distribution with no dark spots

- ◆ 240 LEDs per metre, no spotting
- ◆ Black Corner Surface Profile
- ◆ Bespoke lengths made to order
- ◆ 12V Power supply required
- ◆ Simple and elegant appearance
- ◆ Please ring for exact price
- ◆ 3 Covers Available
Black - Mood Lighting Only
Opal - Task Lighting
Clear - Dots Visible, Brightest Option

2216 -240 LEDs per m

A 12V Power Supply will be required from our range



See our Dimmers range



Model		ED125-LP006-BLK-2216-240L		
Power		1m -2216 240L		Bespoke Lengths
Input Voltage	Dimmable with	12V DC		
Current	ED08-SF-TOUCH-4-DIM	2000mA		
Light Source		240 2216 SMD LEDs Per Metre - 14.9W		
PCB Width		10mm		
CCT		3000/4000/6000K		
Beam Angle		120°		
Luminous Flux Per Metre	3000K	1200lm±5%		TBC lm±5%
	4000K	1300lm±5%		TBC lm±5%
	6000K	1420m±5%		TBC lm±5%
Surface Material		Black Anodized Aluminium		

