



KITCHEN LIGHTING LED RANGES



Why choose us?

Eden illumination is a Scottish LED lighting company based in Cowdenbeath, Fife. We source our LED lights from all over the world to ensure we provide you with the highest standard and most up to date LED lighting products at value for money prices.

The team at Eden Illumination have a wealth of LED lighting technology knowledge and are here to advise you on any LED lighting issue you may have.

We provide LED lights ideal for your kitchen, home and commercial lighting projects. Please visit our website www.edenillumination.co.uk for a our full range of LED products which include - Kitchen Lights, Down Lights, Flood Lights, Panel Lighting, Wardrobe Rails, Profile Lighting, Bathroom Lighting, Ceiling & Wall Lighting, 12V Power Supplies and Emergency Lighting.





Better Prices

Why not receive even better value by opening an account with us, then receive a 15% discount with an agreed credit limit with 30 days to pay.



We are committed to using the very best quality products. All Eden illumination products carry a 2 year guarantee for all our LED light fittings, this can be extended to 5 years on some ranges. If you are not happy with your purchase you have our 14 day money back guarantee.

If you wish a demonstration of the lighting range you are interested in, please ring us on 01383 514 244 to arrange an appointment.

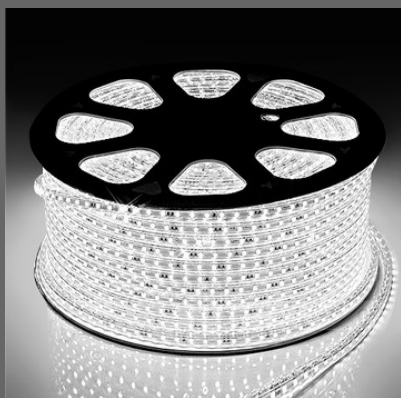




Colour is a personal preference, so we provide 3 types of white.

Cool White 6000-6500K
Neutral White 4000-4500K
Warm White 2700-3000K.

For those that like to mix things up then on certain lines we offer RGB





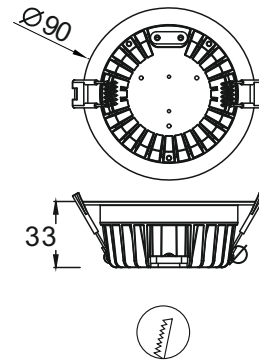
CONTENTS

Down Lights
Under Cabinet Lights
Shelf Lights
Strip Profile
LED Strip
12V Power Supplies
Bespoke Panels
Plinth Spot Lights



KITCHEN LED DOWN LIGHTS





ED20-OCT-10W

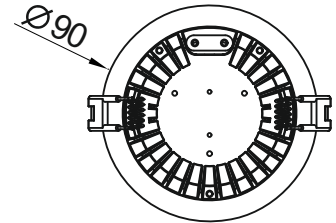


Hole Size 70mm

Model		ED20-OCT-10-A-D	
Power		10W±10%	10W±10%
Input voltage	Dimmable	AC100-240V 50/60Hz AC200-240V 50/60Hz	
LED Current		DC 350mA	
Light source		SMD LED	
CCT		3000K/4000K/6000K	
Beam Angle		80° LD226	
Luminous Flux	3000K	700 lm±5%	700 lm±5%
	4000K	760 lm±5%	760 lm±5%
	6000K	785 lm±5%	785 lm±5%
Aai figure	3000K	1M : 375.6 lx	1M : 375.6 lx
		2M : 93.60 lx	2M : 93.60 lx
		3M : 41.70 lx	3M : 41.70 lx
	4000K	1M : 420.0 lx	1M : 420.0 lx
		2M : 100.50 lx	2M : 100.50 lx
		3M : 44.60 lx	3M : 44.60 lx
	6000K	1M : 381.3 lx	1M : 381.3 lx
		2M : 95.20 lx	2M : 95.20 lx
		3M : 42.30 lx	3M : 42.30 lx
Surface Colour		White or Silver	

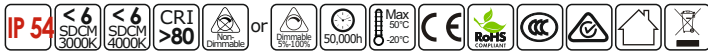
Our Best Seller! 10W Octavia

- ◆ Ring for our best price!
- ◆ Comes with driver
- ◆ Simple and elegant appearance
- ◆ Easy to install
- ◆ 2 Surface colour options
- ◆ Recessed Ceiling Down Light



Hole Size 80mm

ED20-OCT-11W



Model		ED20-OCT-11-A-D-IP54	
Power		11W±10%	11W±10%
Input voltage	Dimmable	AC100-240V 50/60Hz AC200-240V 50/60Hz	
LED Current		DC 350mA	
Light source		SMD LED	
CCT		3000K/4000K/6000K	
Beam Angle		80°	
Luminous Flux	3000K	700 lm±5%	700 lm±5%
	4000K	760 lm±5%	760 lm±5%
	6000K	785 lm±5%	785 lm±5%
Aai figure	3000K	1M : 375.6 lx	1M : 375.6 lx
		2M : 93.60 lx	2M : 93.60 lx
		3M : 41.70 lx	3M : 41.70 lx
	4000K	1M : 420.0 lx	1M : 420.0 lx
		2M : 100.50 lx	2M : 100.50 lx
		3M : 44.60 lx	3M : 44.60 lx
	6000K	1M : 381.3 lx	1M : 381.3 lx
		2M : 95.20 lx	2M : 95.20 lx
		3M : 42.30 lx	3M : 42.30 lx
Surface Colour		White or Silver	

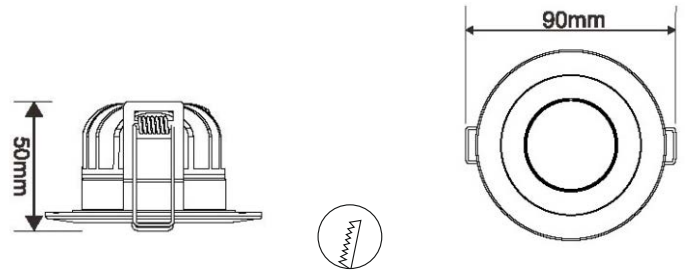
Waterproof 11W Octavia

- ◆ Ring for our best price!
- ◆ Comes with driver
- ◆ Simple and elegant appearance
- ◆ Easy to install
- ◆ 2 Surface colour options
- ◆ Recessed Ceiling Down Light



FIRE RATED & WATERPROOF

ED121-CREST-6W-CCT

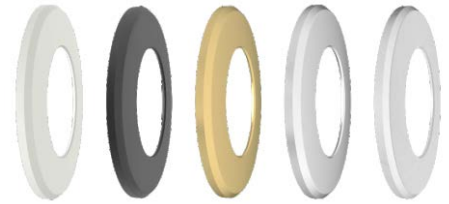


Hole Size 72-75mm

Model		CREST-6W-CCT	
Power		6W±10%	
Input voltage	Dimmable	AC180-265V 50/60Hz	
LED Current		DC 140mA	
Light source		2835 SMD LED	
CCT		3000K/4000K/5000K	
Beam Angle		40°	
Luminous Flux	3000K	550 lm±5%	
	4000K	600 lm±5%	
	5000K	650 lm±5%	
Surface Colour		Polished or Brushed Chrome, Black, White	

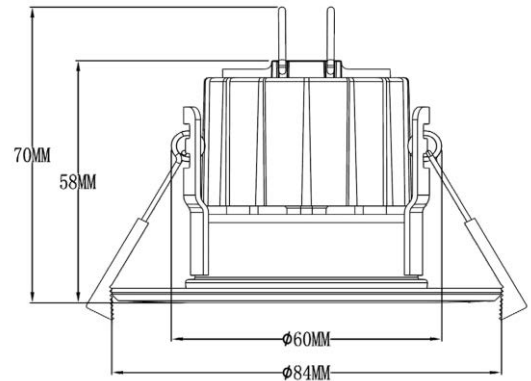
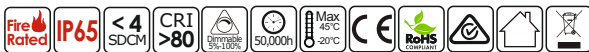
The Complete 6W LED Downlight

- ◆ Fire Rated
- ◆ IP65 Waterproof
- ◆ Dimmable
- ◆ CCT - Switchable between 5000K, 4000K and 3000K
- ◆ 50,000 Hours
- ◆ Covers are changeable
- ◆ Easy to install
- ◆ 4 Surface colour options
- ◆ Recessed ceiling Down Light



FIRE RATED & WATERPROOF

ED124-CRYSTAL-5W-CCT

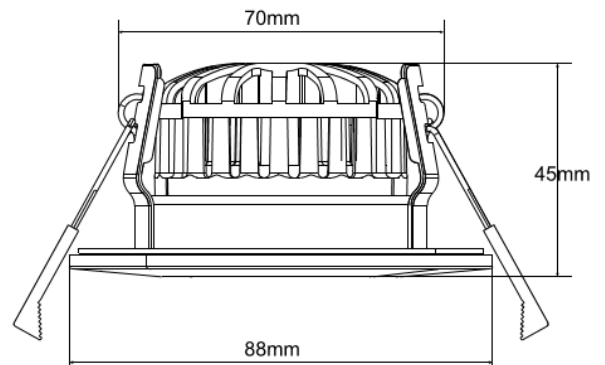
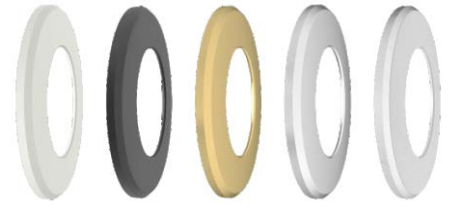


Hole Size 60-75mm

Model		CRYSTAL-5W-CCT	
Power		5W±10%	
Input voltage	Dimmable	AC220-240V 50/60Hz	
LED Current		DC 55mA	
Light source		2835 SMD LED	
CCT		2700K/3000K/4000K/6000K	
Beam Angle		60°	
Luminous Flux	2700K	470 lm±5%	
	3000K	480 lm±5%	
	4000K	490 lm±5%	
	6000K	500 lm±5%	
Surface Colour		Chrome, Gold, Brushed Brass, Black, White	

5W LED Downlight

- ◆ Fire Rated
- ◆ IP65 Waterproof
- ◆ Dimmable
- ◆ CCT - Switchable between 6000K, 4000K, 3000K, 2700K
- ◆ 50,000 Hours
- ◆ Covers are changeable
- ◆ Easy to install
- ◆ 5 Surface colour options
- ◆ Recessed ceiling Down Light
- ◆ Plug and Play Connector
- ◆ 5 Year Warranty



FIRE RATED & WATERPROOF

ED124-CRYSTAL-SLIM-8W-CCT

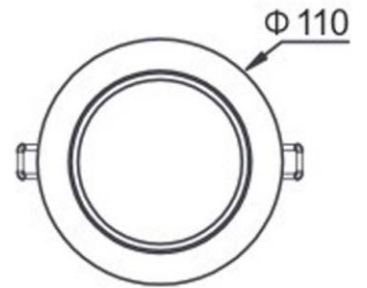


Hole Size 70mm

Model		CRYSTAL-8W-SLIM-CCT	
Power		8W±10%	
Input voltage	Dimmable	AC220-240V 50/60Hz	
LED Current		DC 55mA	
Light source		2835 SMD LED	
CCT		3000K/4000K/6000K	
Beam Angle		60°	
Luminous Flux	3000K	850 lm±5%	
	4000K	875 lm±5%	
	6000K	900 lm±5%	
Surface Colour		Chrome, Gold, Brushed Brass, Black, White	

8W LED Downlight

- ◆ Fire Rated
- ◆ IP65 Waterproof
- ◆ Dimmable
- ◆ CCT - Switchable between 6000K, 4000K, 3000K
- ◆ 50,000 Hours
- ◆ Covers are changeable
- ◆ Easy to install
- ◆ 5 Surface colour options
- ◆ Recessed ceiling Down Light
- ◆ Plug and Play Connector
- ◆ 5 Year Warranty



Hole Size 95mm
Depth 37mm

ED20-OCTON-RA-9W-D



Model		ED20-OCTON-LD227
Power		9W±10%
Input voltage	Dimmable	AC220-240V 50/60Hz
LED Current		55mA
Light source		2835 SMD LED
CCT		3K/4K/6K
Beam Angle		90°
Luminous Flux	3000K	720 lm±5%
	4000K	780 lm±5%
	6000K	820 lm±5%
Surface Colour		White

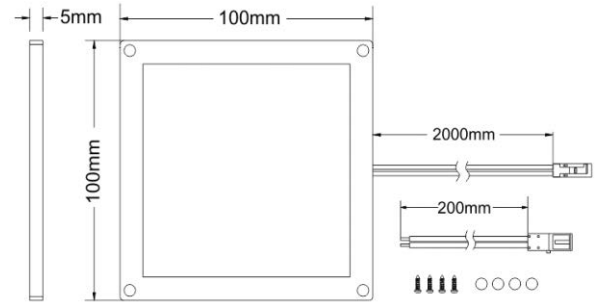
9W FIRE RATED LED Downlight

- ◆ 110mm Diameter
- ◆ IP54 Waterproof
- ◆ 9W Dimmable
- ◆ Colours available 6000K, 4000K and 3000K
- ◆ 35,000 Hours
- ◆ White Surround
- ◆ Easy to install
- ◆ Recessed Ceiling Down Light



LED UNDER CABINET LIGHTS





ED109-NATO-3W-SQUARE



Model		ED109-NATO-3W	
Power		3W±10%	
Input voltage	Dimmable with ED08-SF-TOUCH-4-DIM	12V DC	
Light source		3W LEDs	
CCT		6000K	
Beam Angle		100°	
Luminous Flux	6000K	170lm±5%	
Surface Material		White	

- ◆ KITS 1-6
- ◆ ONLY available in Square Version
- ◆ Comes with screws, sticky pad, 12V power supply, connector block & cables
- ◆ Easy to install
- ◆ Cool White only

- ED109-NATO-3W-SQUARE - KIT1
- ED109-NATO-3W-SQUARE - KIT2
- ED109-NATO-3W-SQUARE - KIT3
- ED109-NATO-3W-SQUARE - KIT4
- ED109-NATO-3W-SQUARE - KIT5
- ED109-NATO-3W-SQUARE - KIT6

IF WE ARE NOT
SUPPOSED TO
HAVE
MIDNIGHT
SNACKS,
WHY IS THERE A
LIGHT IN THE

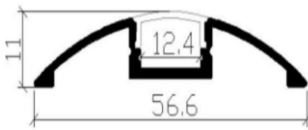
home



SLEEK



AT
YO



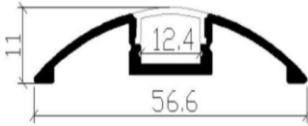
- ◆ Made to your measurements - Just email your size in mm
- ◆ Maximum Length 2000mm
- ◆ Requires with compatible 12V Power Supply
- ◆ Can be connected with other SLEEK units - contact us for details & prices
- ◆ All Sleek's come with a 2m cable and mounting brackets



ED123-SLEEK-LINEAR-2216



Model		ED123-SLEEK-LINEAR-2216					
Power Example Sizes		250mm	500mm	1000mm	1250mm	1500mm	1750mm
Input voltage	Dimmable with ED08-SF-TOUCH-4-DIM	12V DC					
Light source		240 x 2216 SMD LEDs per metre					
CCT		3000/4000/6000K					
Beam Angle		120°					
Luminous Flux	WW 3000K	300lm±5%	600lm±5%	900lm±5%	1200lm±5%	1500lm±5%	1800lm±5%
	NW 4000K	325lm±5%	650lm±5%	975lm±5%	1300lm±5%	1625lm±5%	1950lm±5%
	CW 6000K	355lm±5%	710lm±5%	1065lm±5%	1420m±5%	1775lm±5%	2130lm±5%
Surface Material		Aluminium					

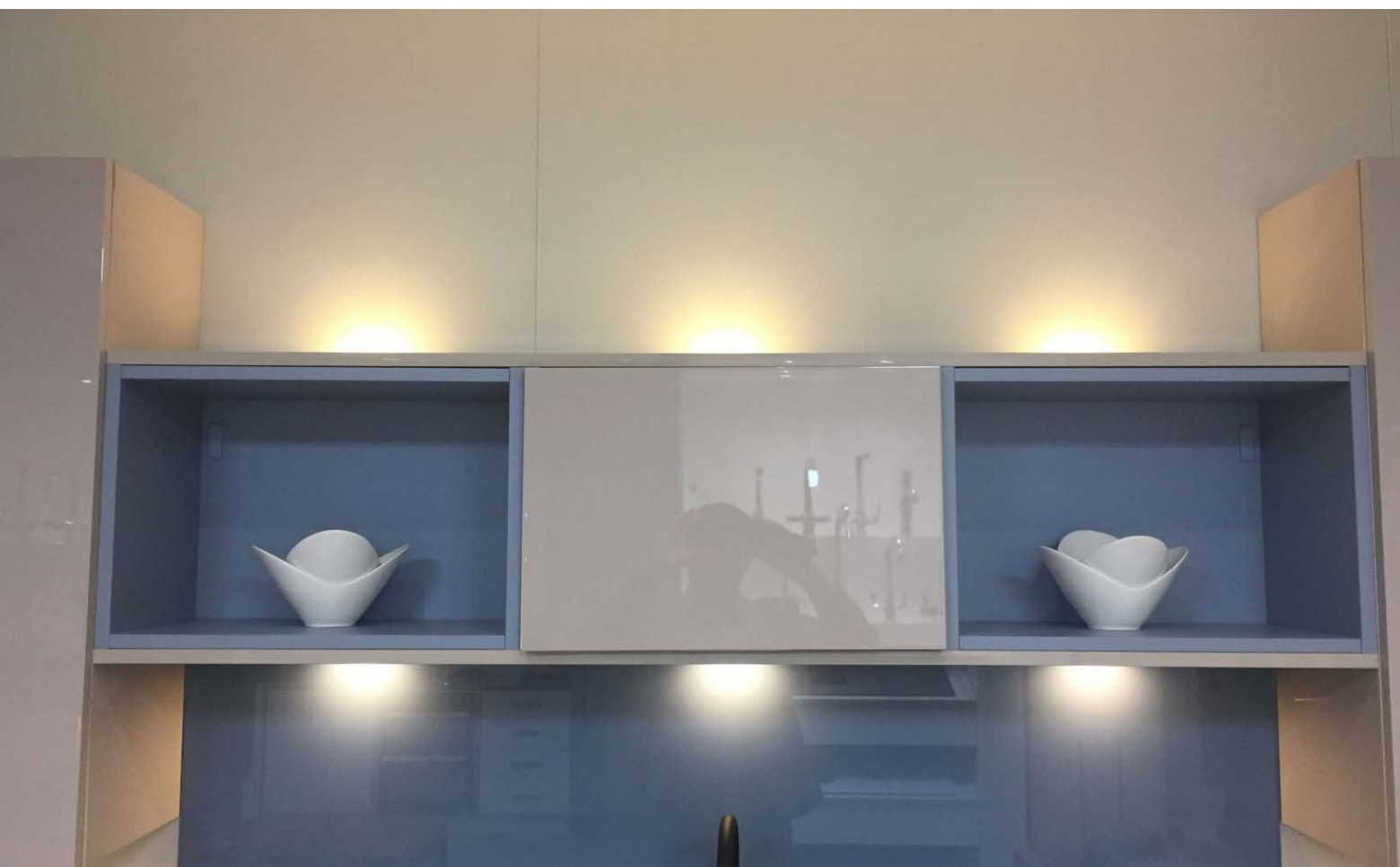


ED123-SLEEK-2216

- ◆ KIT 1- 1 x 250mm Sleek with 6W 12V Power Supply
- ◆ KIT 2- 2 x 250mm Sleek with 12W 12V Power Supply + Splitter
- ◆ KIT 3- 3 x 250mm Sleek with 18W 12V Power Supply + Splitter
- ◆ KIT 4- 4 x 250mm Sleek with 18W 12V Power Supply + Splitter
- ◆ KIT 5- 5 x 250mm Sleek with 30W 12V Power Supply + Splitter
- ◆ KIT 6- 6 x 250mm Sleek with 30W 12V Power Supply + Splitter
- ◆ All Sleek's come with a 2m cable and mounting brackets



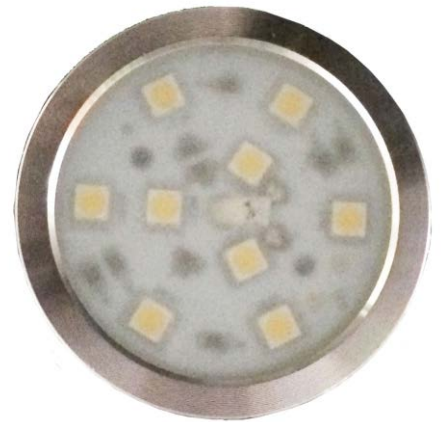
Model		ED123-SLEEK-2216					
Power		KIT 1 4W±10%	KIT2 8W±10%	KIT3 12W±10%	KIT4 16W±10%	KIT5 20W±10%	KIT6 24W±10%
Input voltage	Dimmable with ED08-SF-TOUCH-4-DIM	12V DC					
Light source		60 x 2216 SMD LEDs per unit					
CCT		3000/4000/6000K					
Beam Angle		120°					
Luminous Flux	WW 3000K	300lm±5%	600lm±5%	900lm±5%	1200lm±5%	1500lm±5%	1800lm±5%
	NW 4000K	325lm±5%	650lm±5%	975lm±5%	1300lm±5%	1625lm±5%	1950lm±5%
	CW 6000K	355lm±5%	710lm±5%	1065lm±5%	1420m±5%	1775lm±5%	2130lm±5%
Surface Material		Aluminium					





ED08-DISC

- ◆ KIT 1- 1 x Disc with 12V 500mA Power Supply
- ◆ KIT 2- 2 x Disc with 12V 800mA Power Supply + Splitter
- ◆ KIT 3- 3 x Disc with 12V 800mA Power Supply + Splitter
- ◆ KIT 4- 4 x Disc with 12V 800mA Power Supply + Splitter
- ◆ KIT 5- 5 x Disc with 12V 2A Power Supply + Splitter
- ◆ KIT 6- 6 x Disc with 12V 2A Power Supply + Splitter
- ◆ All Discs come with a 2m cable
- ◆ Rear Cable side exit versions can be special ordered



Model		ED08-DISC					
Power		KIT 1 2W±10%	KIT2 4W±10%	KIT3 6W±10%	KIT4 8W±10%	KIT5 10W±10%	KIT6 12W±10%
Input voltage	Dimmable with ED08-SF-TOUCH-4-DIM	12V DC					
Light source		9 x 5050 SMD LEDs per disc					
CCT		3000/6000K					
Beam Angle		90°					
Luminous Flux	2700K	120lm±5%	240lm±5%	360lm±5%	480lm±5%	600lm±5%	720lm±5%
	6000K	140lm±5%	280lm±5%	420lm±5%	560lm±5%	700lm±5%	840lm±5%
Surface Material		Aluminium					



Simple and elegant appearance.



Recessed mounting and surface mounting available.



High CRI, high lumen output, high illumination, tender and soft light



to perfectly present the object without black spot and dark area



Environmental-friendly, no UV and good heating dissipation



Life span up to 50,000hrs

Non dimmable

Main application in accent lighting such as cupboard & showcase, underneath kitchen cupboards.

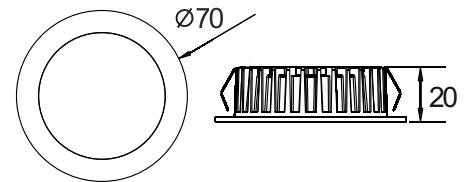




FAZ-4.5-LD209 (SMD)



Model		ED20-FAZ-4.5-LD209 (SMD)
Power		4.5W±10%
Input voltage	Non-Dimmable	AC100-240V 50/60Hz AC200-240V 50/60Hz
LED Current		DC 350mA
Light source		SMD LED
CCT		3000K/4000K/6000K
Beam Angle		90°
CRI		> 80
Luminous Flux	3000K	285±5%
	4000K	300±5%
	6000K	320±5%
Aai figure	3000K	1M : 103.9 lx
		2M : 25.90 lx
		3M : 11.50 lx
	4000K	1M : 111.8 lx
		2M : 27.90 lx
		3M : 12.30 lx
	6000K	1M : 107.1 lx
		2M : 26.60 lx
		3M : 11.80 lx
Surface Colour		White / Silver / Chrome



Hole size
 ⌀ 50-63mm



ED08-EYEBALL-2-3W-ADJ

H38 x D55 mm

Hole Size
42mm



Model		ED08-EYEBALL-3W-ADJ	
Power		3W±10%	
Input voltage		AC 220V-240VAC 50/60Hz	
Driver		Yes	
Light source		AC COB LED	
CCT		3000/6000K	
Beam Angle		45°	
Luminous Flux	3000K	200 lm±5%	
	6000K	230 lm±5%	
Surface Colour		White	
IP Rated		20	

3W Mini Down Light

- ◆ Adjustable
- ◆ Easy to install
- ◆ With Driver
- ◆ Perfect for Alcoves



LED GLASS SHELF LIGHTS





120 LEDs per m

- ◆ Bespoke lengths made to order
- ◆ Clip straight on to the glass shelf
- ◆ 12V Power supply required
- ◆ Simple and elegant appearance
- ◆ Shelf thickness 8mm

Please order a 12V Power Supply from our range



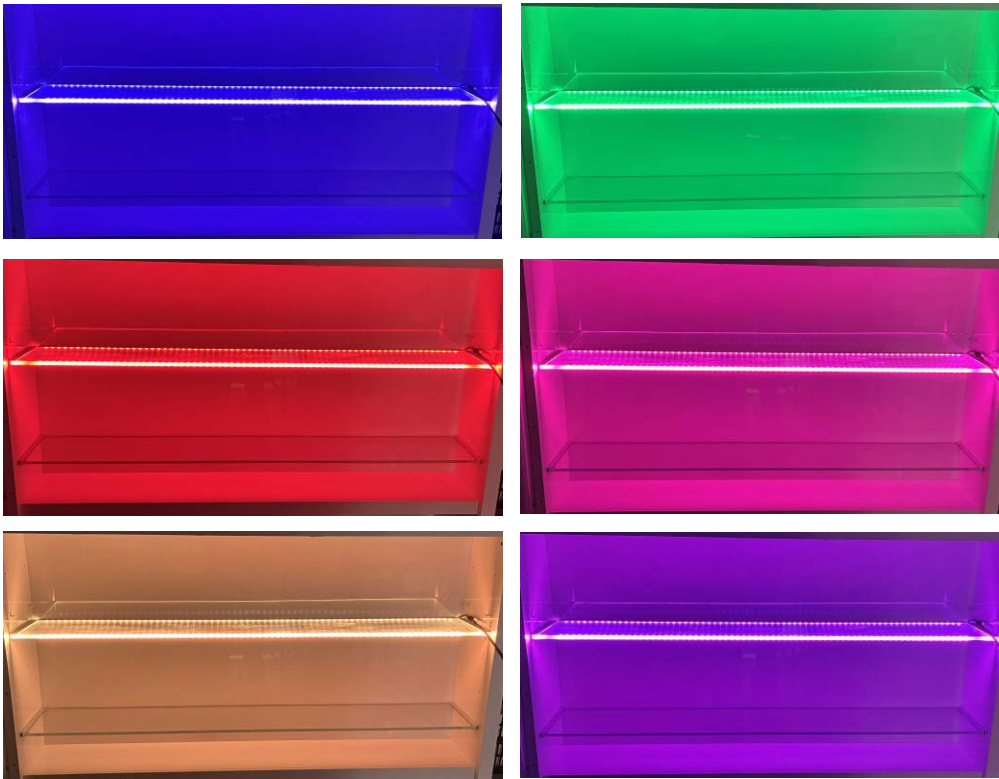
ED123-SHELF-12V



Model		ED123-SHELF-12V-2835-120L		
Power		1m -9.6W±10%	2m -19.2W±10%	Bespoke Lengths
Input Voltage	Dimmable with ED08-SF-TOUCH-4-DIM	12V DC		
Current		0.8A		
Light Source		120 2835 SMD LEDs Per Metre - 9.6W		
CCT		3000/4000/6000K		
Beam Angle		40°		
Luminous Flux Per Metre	2700K	2080lm±5%	4160lm±5%	
	4000K	2240lm±5%	4480lm±5%	
	6000K	2400lm±5%	4800lm±5%	
Surface Material		Alluminium		

Dimmable





60 LEDs per m

- ◆ Bespoke lengths made to order
- ◆ Clip straight on to the glass shelf
- ◆ 12V Power supply & RGB Controller required
- ◆ Simple and elegant appearance
- ◆ Shelf thickness 8mm

Please order a 12V Power Supply from our range



ED123-SHELF-12V-RGB



Model	ED123-SHELF-12V-RGB-60L		
Power	1m -14.4W±10%	2m -28.8W±10%	Bespoke Lengths
Input Voltage	Dimmable with ED08-SF-TOUCH-RGB	12V DC	
Current	0.8A		
Light Source	60 x 5050 SMD LEDs Per Metre - 14.4W		
CCT	RGB		
Beam Angle	40°		
Surface Material	Alluminium		

Please order a RGB Controller from our range





LED UNDER CABINET PROFILE LIGHTS



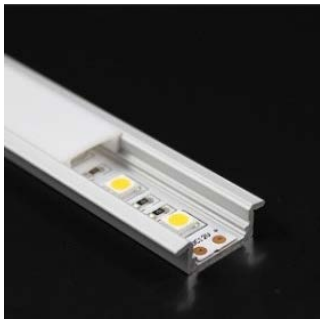


**2835 - 120 LEDs per m
Single Colour Only**

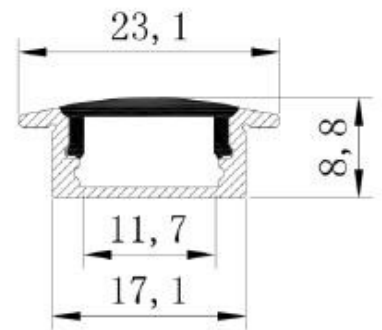


**5050 - 60 LEDs per m
Single Colour & RGB**

ED123-LP001-SF-5050-60L or ED123-LP001-SF-2835-120L



- ◆ Recessed Profile
- ◆ Bespoke lengths made to order
- ◆ 12V Power supply required
- ◆ Simple and elegant appearance
- ◆ Please ring for exact price



Model		ED123-LP001		
Power		1m -2835 120L	1m -5050 60 L	Bespoke Lengths
Input Voltage	Dimmable with	12V DC		
Current	ED08-SF-TOUCH-4-DIM	0.4A/ 0.8A		
Light Source		120 2835 SMD LEDs Per Metre - 9.6W		
		or		
		60 5050 SMD LEDs Per Metre - 14.4W		
CCT		3000/4000/6000K RGB(5050 only)		
Beam Angle		120°		
Luminous Flux Per Metre	3000K	2000lm±5%	880lm±5%	TBC lm±5%
	4000K	2200lm±5%	920lm±5%	TBC lm±5%
	6000K	2400lm±5%	960lm±5%	TBC lm±5%
Surface Material		Aluminium		

A 12V Power Supply will be required from our range



Dimmers & RGB controllers





2216 - 240 LEDs per m

Profile LP001



Even light distribution with no dark spots

- ◆ 240 LEDs per metre, no spotting
- ◆ Recessed Profile
- ◆ Bespoke lengths made to order
- ◆ 12V Power supply required
- ◆ Simple and elegant appearance
- ◆ Please ring for exact price

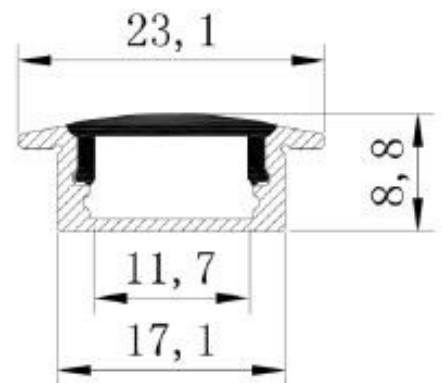
A 12V Power Supply will be required from our range

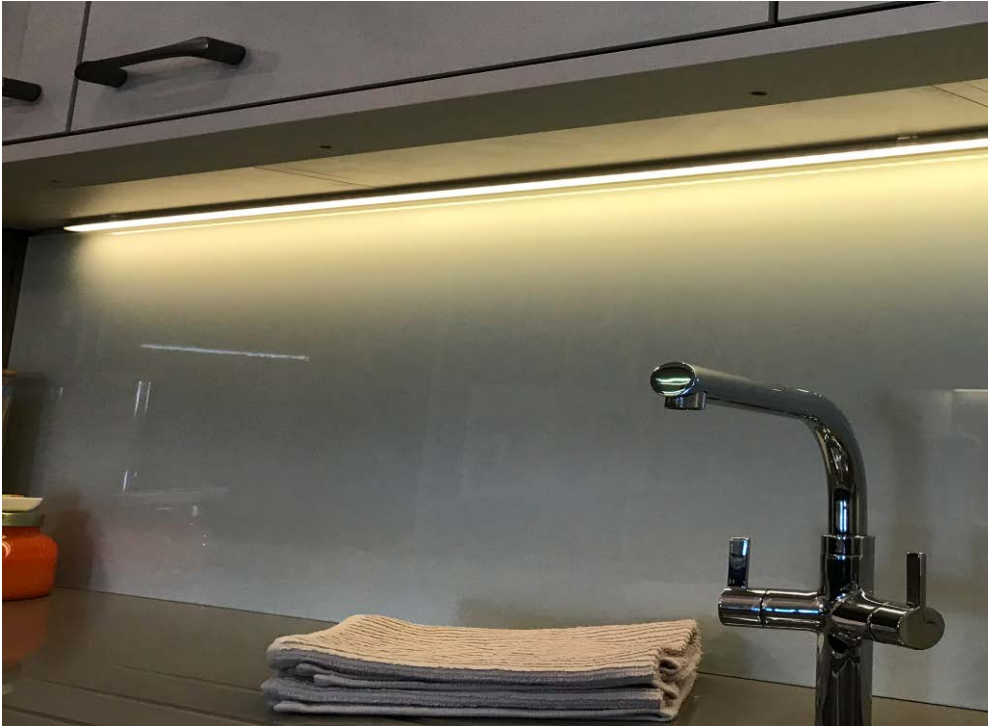


See our Dimmers range



Model		ED123-LP001-SF-2216-240L		
Power		1m -2216 240L		Bespoke Lengths
Input Voltage	Dimmable with	12V DC		
Current	ED08-SF-TOUCH-4-DIM	2000mA		
Light Source		240 2216 SMD LEDs Per Metre - 14.9W		
PCB Width		10mm		
CCT		3000/4000/6000K		
Beam Angle		120°		
Luminous Flux Per Metre	3000K	1200lm±5%		
	4000K	1300lm±5%		
	6000K	1420m±5%		
Surface Material		Aluminium		





ED123-LP002-SF-5050-60L or ED123-LP002-SF-2835-120L



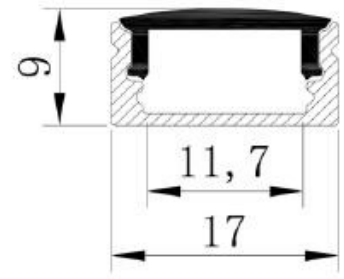
**2835 - 120 LEDs per m
Single Colour Only**



**5050 - 60 LEDs per m
Single Colour & RGB**



- ◆ Surface Mounted Profile with clips
- ◆ Bespoke lengths made to order
- ◆ 12V Power supply required
- ◆ Simple and elegant appearance
- ◆ Please ring for exact price



Model		ED123-LP002		
Power		1m -2835 120L	1m -5050 60 L	Bespoke Lengths
Input Voltage	Dimmable with	12V DC		
Current	ED08-SF-TOUCH-4-DIM	0.4A/ 0.8A		
Light Source		120 2835 SMD LEDs Per Metre - 9.6W		
		or		
		60 5050 SMD LEDs Per Metre - 14.4W		
CCT		3000/4000/6000K RGB(5050 only)		
Beam Angle		120°		
Luminous Flux Per Metre	3000K	2000lm±5%	880lm±5%	TBC lm±5%
	4000K	2200lm±5%	920lm±5%	TBC lm±5%
	6000K	2400lm±5%	960lm±5%	TBC lm±5%
Surface Material		Aluminium		

A 12V Power Supply will be required from our range



Dimmers & RGB controllers





2216 - 240 LEDs per m

Profile LP002



Even light distribution with no dark spots

- ◆ 240 LEDs per metre, no spotting
- ◆ Surface Mounted Profile with clips
- ◆ Bespoke lengths made to order
- ◆ 12V Power supply required
- ◆ Simple and elegant appearance
- ◆ Please ring for exact price

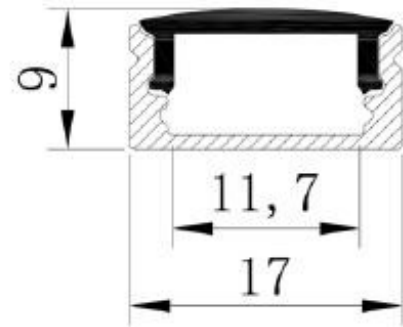
A 12V Power Supply will be required from our range



See our Dimmers range



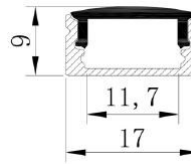
Model		ED123-LP002-SF-2216-240L		
Power		1m -2216 240L		Bespoke Lengths
Input Voltage	Dimmable with	12V DC		
Current	ED08-SF-TOUCH-4-DIM	2000mA		
Light Source		240 2216 SMD LEDs Per Metre - 14.9W		
PCB Width		10mm		
CCT		3000/4000/6000K		
Beam Angle		120°		
Luminous Flux Per Metre	3000K	1200lm±5%		TBC lm±5%
	4000K	1300lm±5%		TBC lm±5%
	6000K	1420m±5%		TBC lm±5%
Surface Material		Aluminium		





Profile LP002

- ◆ 60 LEDs per 250mm, no spotting
- ◆ Surface Mounted Profile with clips
- ◆ Length 250mm per profile
- ◆ 12V Power supply included
- ◆ Available in 3 Colours - 3000K 4000K & 6000K
- ◆ Available in Kits 1-6, includes connector block and 2m leads



2216 - 240 LEDs per m



Model		ED123-LP002-SF-2216-60L-KIT		
Power		250mm		
Input Voltage	Dimmable with	12V DC		
Current	ED08-SF-TOUCH-4-DIM	2000mA		
Light Source		60 x 2216 SMD LEDs Per 250mm - 3.75W		
PCB Width		10mm		
KITS		Available in Kits 1-6		
CCT		3000/4000/6000K		
Beam Angle		120°		
Luminous Flux Per 250mm	3000K	300lm±5%		
	4000K	325lm±5%		
	6000K	356m±5%		
Surface Material		Aluminium		



A 12V Power Supply included

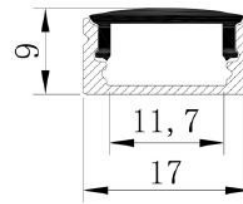


Optional - Can be dimmed using a Touch 4 Zone Dimmer



Profile LP002

- ◆ Kitchen Draw Light with PIR
- ◆ Surface Mounted Profile with clips
- ◆ Various Lengths
- ◆ Includes 2m Cable
- ◆ Available in 3 Colours - 3000K 4000K & 6000K
- ◆ PIR Sensor - 40 seconds
- ◆ Excludes 12V Power Supply & Connector Block, order separately so multiple Draw Units can be added together
- ◆ Lengths Available
300/400/450/500/550/600/800/900/1000mm



2835 - 120 LEDs per m

Model	ED123-LP002-DRAW-2835-120L		
Power		1000mm	
Input Voltage	12V DC		
Current	0.8A		
Light Source	120 x 2835 SMD LEDs Per Metre - 9.6W		
PCB Width	10mm		
Lengths	300/400/450/500/550/600/800/900/1000mm		
CCT	3000/4000/6000K		
Beam Angle	120°		
Luminous Flux Per Metre	3000K	2080lm±5%	
	4000K	2240lm±5%	
	6000K	2400m±5%	
Surface Material	Aluminium		

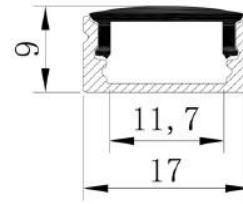


Order one 12V Power Supply for 1 unit, for multiple units add the wattage and order one larger power supply and connector block.



Profile LP002

- ◆ Cupboard Light with PIR
- ◆ Surface Mounted Profile with clips
- ◆ Various Lengths
- ◆ Includes 2m Cable
- ◆ Available in 3 Colours - 3000K 4000K & 6000K
- ◆ PIR Sensor - 40 seconds
- ◆ Excludes 12V Power Supply & Connector Block, order separately so multiple Units can be added together
- ◆ Standard Lengths Available 300/400/450/500/550/600/800/900/1000mm
- ◆ Larger Sizes Available Upon Request



2835 - 120 LEDs per m

Model		ED123-LP002-CUPBOARD-2835-120L	
Power		1000mm	
Input Voltage		12V DC	
Current		0.8A	
Light Source		120 x 2835 SMD LEDs Per Metre - 9.6W	
PCB Width		10mm	
Lengths		300/400/450/500/550/600/800/900/1000mm	
CCT		3000/4000/6000K	
Beam Angle		120°	
Luminous Flux Per Metre	3000K	2080lm±5%	
	4000K	2240lm±5%	
	6000K	2400m±5%	
Surface Material		Aluminium	



Order one 12V Power Supply for 1 unit, for multiple units add the wattage and order one larger power supply and connector block.



ED123-LP006-SF-5050-60L or ED123-LP006-SF-2835-120L



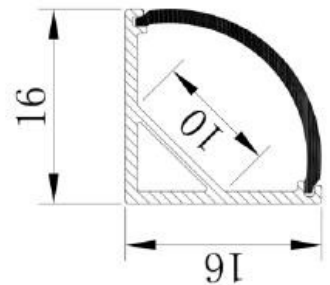
- ◆ Corner Mounted Profile with clips
- ◆ Bespoke lengths made to order
- ◆ 12V Power supply required
- ◆ Simple and elegant appearance
- ◆ Please ring for exact price



**2835 - 120 LEDs per m
Single Colour Only**



**5050 - 60 LEDs per m
Single Colour & RGB**



Model		ED123-LP006		
Power		1m -2835 120L	1m -5050 60 L	Bespoke Lengths
Input Voltage	Dimmable with	12V DC		
Current	ED08-SF-TOUCH-4-DIM	0.4A/ 0.8A		
Light Source		120 2835 SMD LEDs Per Metre - 9.6W		
		or		
		60 5050 SMD LEDs Per Metre - 14.4W		
CCT		3000/4000/6000K RGB(5050 only)		
Beam Angle		120°		
Luminous Flux Per Metre	3000K	2000lm±5%	880lm±5%	TBC lm±5%
	4000K	2200lm±5%	920lm±5%	TBC lm±5%
	6000K	2400lm±5%	960lm±5%	TBC lm±5%
Surface Material		Aluminium		

A 12V Power Supply will be required from our range



Dimmers & RGB controllers





2216 -240 LEDs per m

Profile LP006



Even light distribution with no dark spots

- ◆ 240 LEDs per metre, no spotting
- ◆ Corner Mounted Profile with clips
- ◆ Bespoke lengths made to order
- ◆ 12V Power supply required
- ◆ Simple and elegant appearance
- ◆ Please ring for exact price

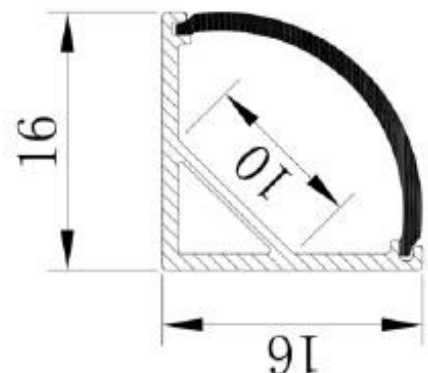
A 12V Power Supply will be required from our range

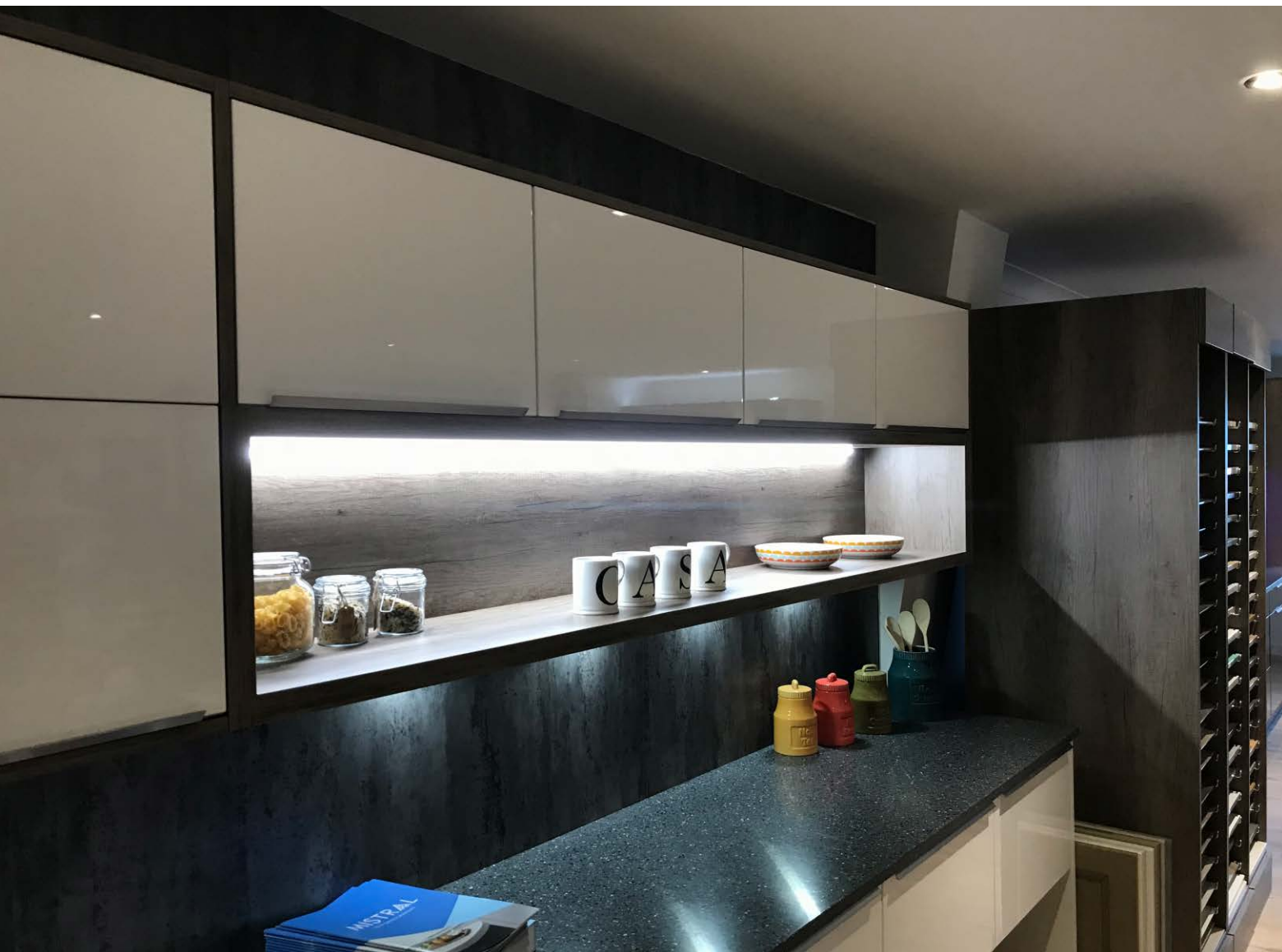


See our Dimmers range

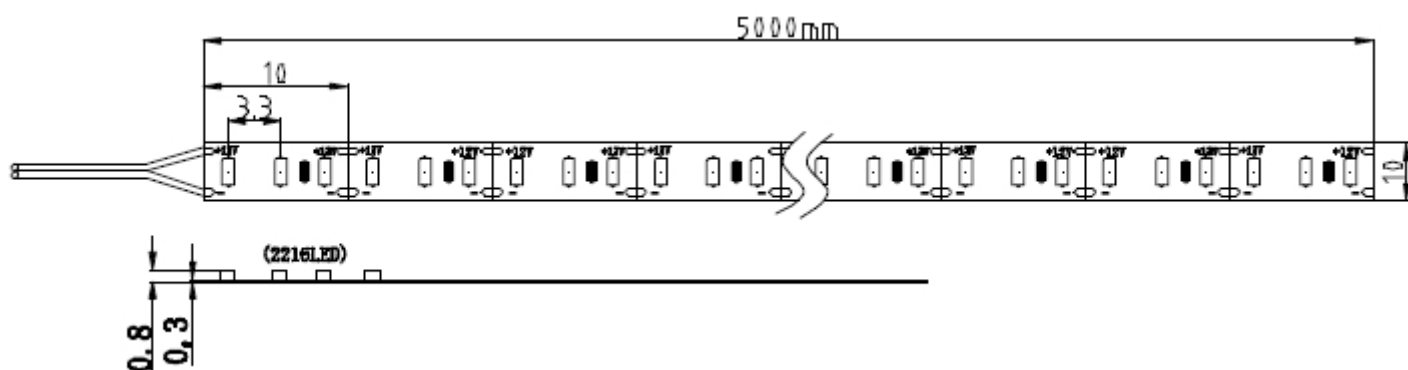


Model		ED123-LP006-SF-2216-240L		
Power		1m -2216 240L		Bespoke Lengths
Input Voltage	Dimmable with	12V DC		
Current	ED08-SF-TOUCH-4-DIM	2000mA		
Light Source		240 2216 SMD LEDs Per Metre - 14.9W		
PCB Width		10mm		
CCT		3000/4000/6000K		
Beam Angle		120°		
Luminous Flux Per Metre	3000K	1200lm±5%		TBC lm±5%
	4000K	1300lm±5%		TBC lm±5%
	6000K	1420m±5%		TBC lm±5%
Surface Material		Aluminium		





ED08-SF-12V-2216-240L







LED STRIP LIGHTS



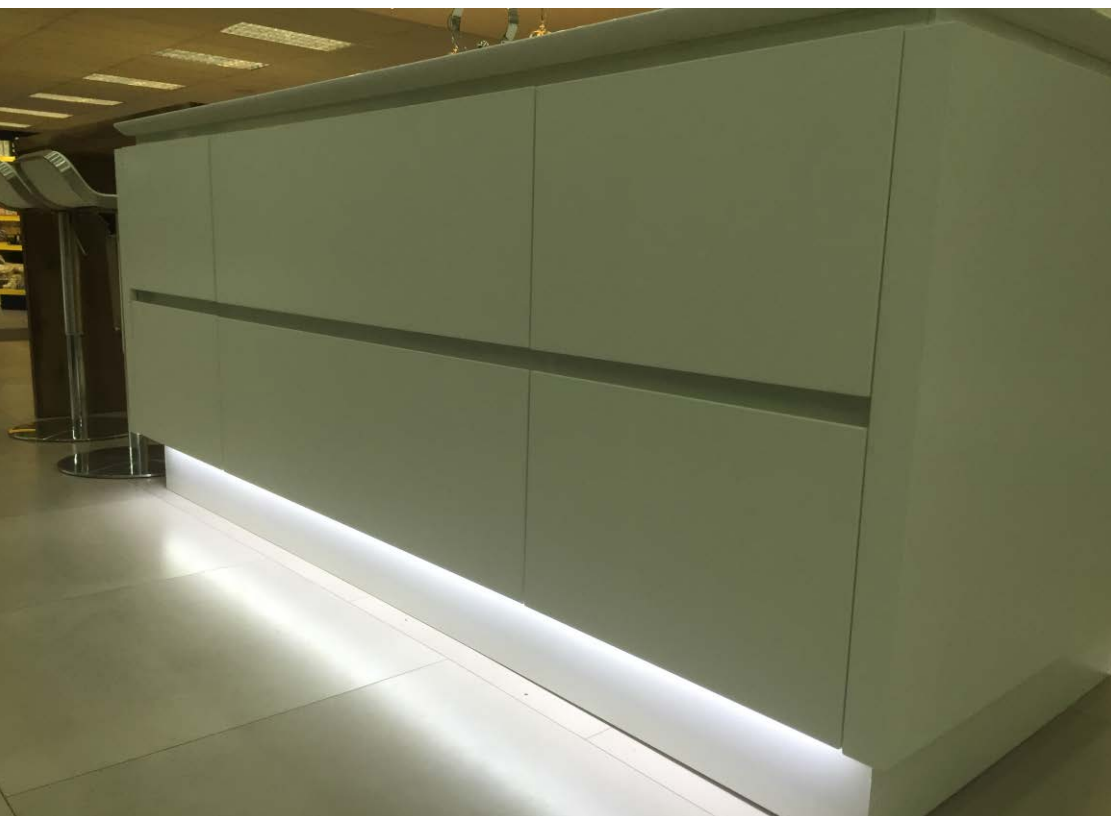
2216 - 240 LEDs per m - Ultra Bright Strip, No Spotting

5050 - 60 LEDs per m - Standard Task Lighting Strip

2835 - 60 LEDs per m - Zigzag Strip for Curved Installations

2835 - 120 LEDs per m - Used in our Glass Shelf Profile and Wardrobe Rails

3528 - 60 LEDs per m - Mood Lighting Only



Single Colour 5050 LEDs



RGB 5050 LEDs

ED08-SF-12V-5050-60L-IP44 (Waterproof)



Model		ED08-SF-12V-5050-60L-IP44				
Power		1m -14.4W±10%	2m -28.8W±10%	3m -43.2W±10%	4m -57.6W±10%	5m -72W±10%
Input Voltage	Dimmable with	12V DC				
Current	ED08-SF-TOUCH-4-DIM	1.2A				
Light Source		60 5050 SMD LEDs Per Metre - 14.4W				
CCT		3000/4000/6000K				
Beam Angle/ Width		120°/ 10mm				
Luminous Flux Per Metre	3000K	800lm±5%	1600lm±5%	2400lm±5%	3200lm±5%	4000lm±5%
	4000K	820lm±5%	1640lm±5%	2460lm±5%	3280lm±5%	4100lm±5%
	6000K	840lm±5%	1680lm±5%	2520lm±5%	3360lm±5%	4200lm±5%
Surface Material		White With 3M Tape				

- ◆ Sold by the metre
- ◆ Bespoke lengths made to order
- ◆ 12V Power supply required
- ◆ Can be cut every 3 LEDs
- ◆ For task lighting
- ◆ Dimmable
- ◆ RGB Option
- ◆ Uses 3m Tape

Choose a 12V Power Supply from our power supply range

See our full range of plug and play connector

See our range of Dimmers and RGB controllers





Single Colour 5050 LEDs



RGB 5050 LEDs

ED08-SF-12V-5050-60L



Model		ED08-SF-12V-5050-60L				
Power		1m -14.4W±10%	2m -28.8W±10%	3m -43.2W±10%	4m -57.6W±10%	5m -72W±10%
Input Voltage	Dimmable with	12V DC				
Current	ED08-SF-TOUCH-4-DIM	1.2A				
Light Source		60 5050 SMD LEDs Per Metre - 14.4W				
CCT		3000/4000/6000K/RGB				
Beam Angle/ Width		120°/ 10mm				
Luminous Flux Per Metre	3000K	840lm±5%	1680lm±5%	2520lm±5%	3360lm±5%	4200lm±5%
	4000K	900lm±5%	1800lm±5%	2700lm±5%	3600lm±5%	4500lm±5%
	6000K	960lm±5%	1920lm±5%	2880lm±5%	3840lm±5%	4800lm±5%
Surface Material		White With 3M Tape				

- ◆ Sold by the metre
- ◆ Bespoke lengths made to order
- ◆ 12V Power supply required
- ◆ Can be cut every 3 LEDs
- ◆ For task lighting
- ◆ Dimmable
- ◆ RGB Option
- ◆ Uses 3m Tape

Choose a 12V Power Supply from our power supply range

See our full range of plug and play connector

See our range of Dimmers and RGB controllers





RGBW 5050 LEDs

ED08-SF-12V-5050-60L-RGBW



Model		ED08-SF-12V-5050-60L-RGBW				
Power		1m -14W±10%	2m -28W±10%	3m -42W±10%	4m -56W±10%	5m -70W±10%
Input Voltage	Dimmable with ED08-SF-TOUCH-4-DIM	12V DC 1.2A				
Light Source		60 5050 SMD LEDs Per Metre - 14W				
CCT		6000-6500K +RGB				
Beam Angle/ Width		120°/ 12mm				
Luminous Flux Per Metre	6000K-6500K	960lm±5%	1920lm±5%	2880lm±5%	3840lm±5%	4800lm±5%
Surface Material		White With 3M Tape				

- ◆ Sold by the metre
- ◆ Bespoke lengths made to order
- ◆ 12V Power supply & RGBW Controller required
- ◆ Can be cut every 3 LEDs
- ◆ 6500K White Light for task lighting
- ◆ Dimmable
- ◆ RGB or White
- ◆ Uses 3m Tape

Order a 12V Power Supply & RGBW Controller

See our full range of plug and play connector

See our range of Dimmers and RGB controllers





60 LEDs per m

ED08-SF-12V-2835-60L



Model		ED08-SF-12V-2835-60L				
Power		1m -4.8W±10%	2m -9.6W±10%	3m -1.4W±10%	4m -19.2W±10%	5m -24W±10%
Input Voltage	Dimmable with	12V DC				
Current	ED08-SF-TOUCH-4-DIM	0.4A				
Light Source		60 2835 SMD LEDs Per Metre - 4.8W				
CCT		3000/4000/6000K				
Beam Angle/ Width		120°/ 8mm				
Luminous Flux Per Metre	2700K	1000lm±5%	2000lm±5%	3000lm±5%	4000lm±5%	5000lm±5%
	4000K	1100lm±5%	2200lm±5%	3300lm±5%	4400lm±5%	5500lm±5%
	6000K	1200lm±5%	2400lm±5%	3600lm±5%	4800lm±5%	6000lm±5%
Surface Material		White With 3M Tape				

- ◆ Sold by the metre
- ◆ Bespoke lengths made to order
- ◆ 12V Power supply required
- ◆ Can be cut every 3 LEDs
- ◆ For mood lighting
- ◆ Dimmable
- ◆ Uses 3m Tape

Choose a 12V Power Supply from our power supply range

See our full range of plug and play connector

See our range of Dimmers





240 LEDs per m



Even Light Distribution

ED08-SF-12V-2216-240L



Model		ED08-SF-12V-2216-240L				
Power		1m -14.9W±10%	2m -29.8W±10%	3m -44.7W±10%	4m -59.6W±10%	5m -74.5W±10%
Input Voltage	Dimmable with	12V DC				
Current	ED08-SF-TOUCH-4-DIM	2000mA				
Light Source		240 2216 SMD LEDs Per Metre - 14.9W				
CCT		3000/4000/6000K				
Beam Angle/ Width		120°/ 10mm				
Luminous Flux Per Metre	3000K	1200lm±5%	2400lm±5%	3600lm±5%	4800lm±5%	6000lm±5%
	4000K	1300lm±5%	2600lm±5%	3900lm±5%	5200lm±5%	6500lm±5%
	6000K	1420m±5%	2840lm±5%	4260lm±5%	5680lm±5%	7100lm±5%
Surface Material		White With 3M Tape				

- ◆ Sold by the metre
- ◆ Bespoke lengths made to order
- ◆ 12V Power supply required
- ◆ Can be cut every 3 LEDs
- ◆ For task lighting
- ◆ Dimmable
- ◆ Uses 3m Tape

Choose a 12V Power Supply from our power supply range

Not compatible with our plug and play connectors

See our range of Dimmers and RGB controllers





120 LEDs per m

ED08-SF-12V-2835-120L



Model		ED08-SF-12V-2835-120L				
Power		1m -9.6W±10%	2m -19.2W±10%	3m -28.8W±10%	4m -38.4W±10%	5m -48W±10%
Input Voltage	Dimmable with	12V DC				
Current	ED08-SF-TOUCH-4-DIM	0.8A				
Light Source		120 2835 SMD LEDs Per Metre - 9.6W				
CCT		3000/4000/6000K				
Beam Angle/ Width		120°/ 8mm				
Luminous Flux Per Metre	3000K	2000lm±5%	4000lm±5%	6000lm±5%	8000lm±5%	10000lm±5%
	4000K	2200lm±5%	4400lm±5%	6600lm±5%	8800lm±5%	11000lm±5%
	6000K	2400lm±5%	4800lm±5%	7200lm±5%	9600lm±5%	12000lm±5%
Surface Material		White With 3M Tape				

- ◆ Sold by the metre
- ◆ Bespoke lengths made to order
- ◆ 12V Power supply required
- ◆ Can be cut every 3 LEDs
- ◆ For task lighting
- ◆ Dimmable
- ◆ RGB Option
- ◆ 3m Tape

Choose a 12V Power Supply from our power supply range

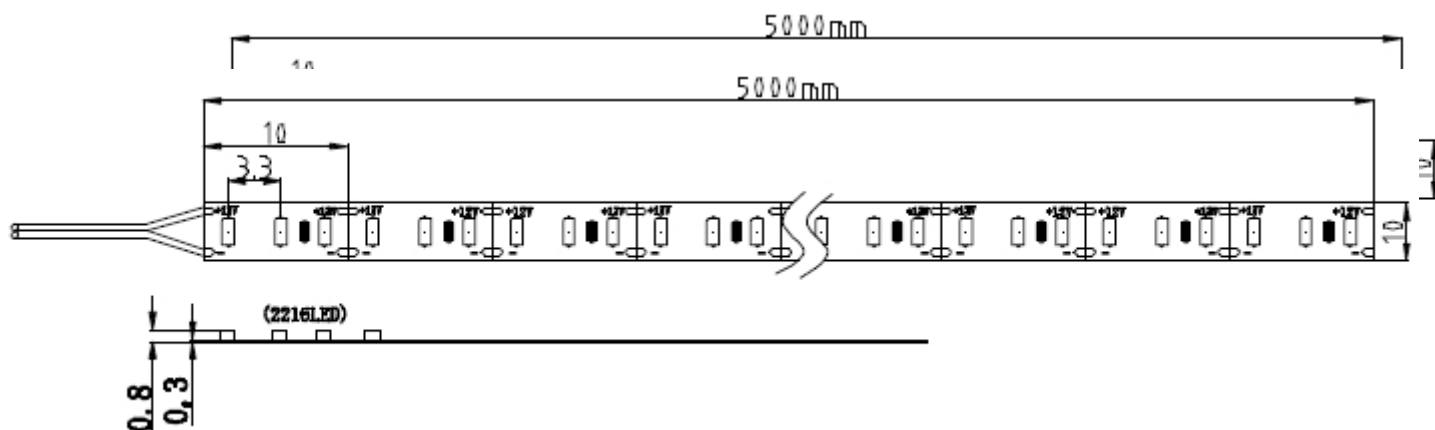
Not compatible with our plug and play connectors

See our range of Dimmers





ED08-SF-12V-2216-240L





ED08-SF-12V-5050-ZIGZAG-RGB



Model		ED08-SF-12V-5050-ZIGZAG- RGB				
Power		1m - 10W	2m -20W	3m -30W	4m -40W	5m - 50W
Input Voltage	Dimmable with	12V DC				
Current	ED08-SF-TOUCH-RGB	2000mA				
Light Source		42 RGB 5050 SMD LEDs Per Metre				
CCT		RGB				
Beam Angle/ Width		120° 10mm				
Luminous Flux	RGB	600lm±5%	1200m±5%	1800m±5%	2400lm±5%	3000m±5%
Surface Material		White With 3M Tape				

- ◆ Use to go around S shaped corners
- ◆ Sold by the metre
- ◆ Bespoke lengths made to order
- ◆ 12V Power supply required
- ◆ Can be cut every 3 LEDs
- ◆ Dimmable
- ◆ Uses 3m Tape
- ◆ Use this LED strip for whole project

Choose a 12V Power Supply from our power supply range

NOT compatible with our of plug and play connectors

See our range of Dimmers and RGB controllers





ED08-SF-12V-2835- ZIGZAG-60L



Model		ED08-SF-12V-2835-ZIGZAG- Single Colour				
Power		1m - 12.5W	2m -25W	3m -37.5W	4m -50W	5m - 62.5W
Input Voltage	Dimmable with	12V DC				
Current	ED08-SF-TOUCH-4-DIM	2000mA				
Light Source		60 Single Colour 2835 SMD LEDs per Metre				
CCT		3000/4500/6000K				
Beam Angle/ Width		120°/ 8mm				
Luminous Flux Per Metre	3000K	1200lm±5%	2400lm±5%	3600m±5%	4800lm±5%	6000lm±5%
	4000K	1250lm±5%	2500m±5%	3750m±5%	5000lm±5%	6250m±5%
	6000K	1300lm±5%	2600lm±5%	3900lm±5%	5200lm±5%	6500lm±5%
Surface Material		White With 3M Tape				

- ◆ Use to go around corners - 90 °
- ◆ Sold by the metre
- ◆ Bespoke lengths made to order
- ◆ 12V Power supply required
- ◆ Can be cut every 3 LEDs
- ◆ Dimmable
- ◆ Uses 3m Tape
- ◆ Use this LED strip for whole project
- ◆ 8mm Wide

Choose a 12V Power Supply from our power supply range

NOT compatible with our of plug and play connectors

See our range of Dimmers and controllers



**LED Strip Connectors
(Single Colour 5050, 2835)**



**Not compatible with
Zigzag & 2216 LED Strip**

**LED Strip Straight Connector
ED08-SF-12V-Connector
ED08-SF-12V-5050-RGB-Connector**

**LED Strip Corner Connector
ED08-SF-12V-Connector
-Corner
ED08-SF-12V-5050-RGB-Connector
-Corner**

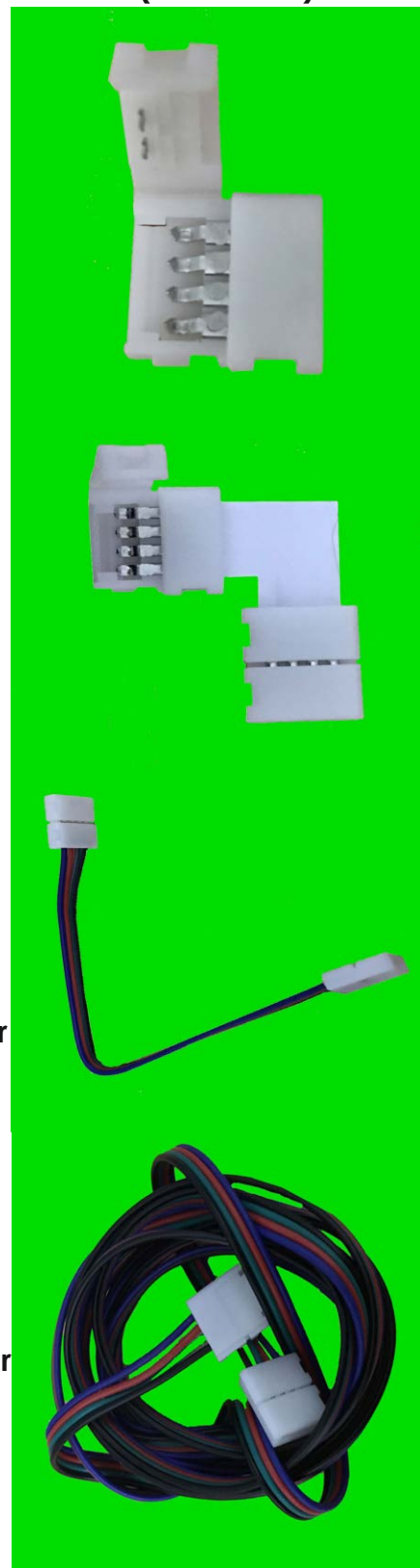
**LED Strip Wire 170mm Connector
ED08-SF-12V-Connector
-Wire
ED08-SF-12V-5050-RGB-Connector
-Wire**

**LED Strip 2m Wire Connector
ED08-SF-12V-Connector
-2m
ED08-SF-12V-5050-RGB-Connector
-2m**



**LED Strip Sticky Pad
ED05-Pad**

**LED Strip Connectors
(5050 RGB)**



LED Strip Connectors (5050 RGBW)



LED Strip Straight Connector
ED08-SF-12V-5050-RGBW-Connector

LED Strip Corner Connector
ED08-SF-12V-Connector-Corner
ED08-SF-12V-5050-RGB-Connector-Corner

LED Strip Connector Sticky Pad
ED05-Pad



12V POWER SUPPLIES

Use with Nato, Sleek, LED Strip & LED Profile



ED122-PS-US-12V-6W
H19 x W41 x L91mm



ED122-PS-US-12V-12W
H19 x W41 x L91mm



ED122-PS-US-12V-18W
H19 x W41 x L91mm



ED122-PS-US-12V-30W
H19 x W41 x L91mm



ED122-PS-12V-60W **ED122-PS-12V-75W**
H30 x W45 x L115mm H30 x W45 x L115mm

Use with

- ◆ LED Strip
- ◆ LED Profile
- ◆ LED Nato
- ◆ LED Sleek



Model	ED122-PS-US-12V		ED122-PS-US-12V		ED122-PS-12V	
Output Power	6W±10%	12W±10%	18W±10%	30W±10%	60W±10%	75W±10%
Input voltage	AC100-240V		AC100-240V		AC100-240V	
Output Current (A)	0-500mA	0-1000mA	0-1500mA	0-2500mA	0-5000mA	0-6250mA
Weight (Kg)	0.045	0.06	0.06	0.075	0.11	0.12
IP Rating	IP20		IP20		IP20	
Material	Plastic shell		Plastic shell		Plastic shell	



ED122-PS-12V-CLPS-100W
H18 x W60 x L178mm



ED122-PS-12V-CLPS-250W
H33 x W72 x L240mm



ED122-PS-12V-CLPS-150W
H33 x W60 x L208mm



ED122-PS-12V-CLPS-300W
H33 x W72 x L240mm



Model		ED122-PS-12V-CLPS		ED122-PS-12V-CLPS	
Output Power		100W±10%	150W±10%	250W±10%	300W±10%
Input voltage	Non-Dimmable	AC100-240V		AC100-240V	
Output Current (A)		8	12	20	30
Weight (Kg)		0.4	0.7	0.8	1.1
IP Rating		IP67		IP67	
Material		Aluminium shell		Aluminium shell	

- ◆ Use with
 - ◆ LED Strip
 - ◆ LED Profile
 - ◆ LED Nato
 - ◆ LED Sleek
- ◆ 12V Ultra Slim
- ◆ Waterproof Ip67



ED08-TOUCH-4-DIM (4 Zones)



Model		ED08-TOUCH-4-DIM
Power		AAA x 2
Input voltage	RGB-Dimmable	12V & 24V DC
Distancel		20-30m
Size - Remote / Controller		120*52*20mm 85*45*23mm
Colour Channels		One channel
Max Load per channel		6A
Memory Functionl		Yes
No of Controllers a Remote can control		Up to 4 Zones
Surface Material		ABS



ED08-TOUCH-RGB (RGB Single Zone)



Model		ED08-TOUCH-RGB
Power		AAA x 2
Input voltage	RGB-Dimmable	12V & 24V DC
Distance		20-30m
Size - Remote / Controller		110*52*20mm 85*45*23mm
Colour Channels		RGB three channels
Max Load per channel		6A
Memory Function		Yes
No of Controllers a Remote can control		Countless (non independent)
Surface Material		ABS



ED08-TOUCH-4-RGB (4 Zones)



Model		ED08-TOUCH-4-RGB
Power		AAA x 2
Input voltage	RGB-Dimmable	12V & 24V DC
Distance		20-30m
Size - Remote / Controller		120*52*20mm 85*45*23mm
Colour Channels		RGBW three channels
Max Load per channel		6A
Memory Function		Yes
No of Controllers a Remote can control		Up to 4 Zones
Surface Material		ABS



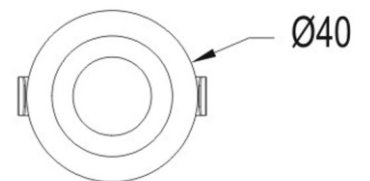
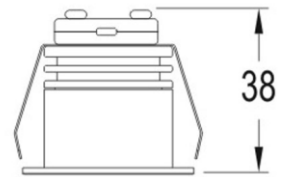
ED08-SF-TOUCH-**RGBW** (RGBW Single Zone)



Model		ED08-SF-TOUCH- RGBW
Power		AAA x 2
Input voltage	RGB-Dimmable	12V & 24V DC
Distancel		20-30m
Size - Remote / Controller		110*52*20mm 85*45*23mm
Colour Channels		RGBW four channels
Max Load per channel		6A
Memory Functionl		Yes
No of Controllers a Remote can control		Countless (non independent)
Surface Material		ABS



LED PLINTH SPOT LIGHTS



Hole Size 35mm

ED20-MINOS-2



Power	3W±10%	
Input voltage	Non-Dimmable	AC100-240V 50/60Hz
LED Current	DC 700mA	
Light source	CREE LED	
CCT	3000K/4000K/6000K	
Beam Angle	45°	
CRI	> 80	
Luminous Flux	3000K	200 lm±5%
	4000K	215 lm±5%
	6000K	233 lm±5%
Surface Colour	Silver /White/ Chrome	

High Powered Plinth Light or Mini Down Light

- ◆ 3 Colours available
- ◆ Small Driver
- ◆ Simple and elegant
- ◆ Easy to install

 **EDEN**
illumination

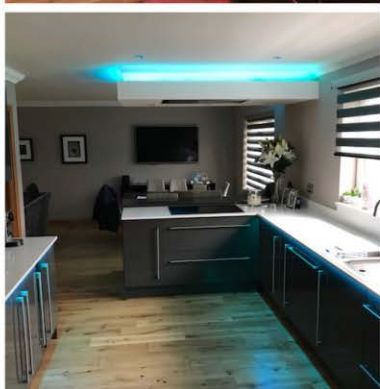
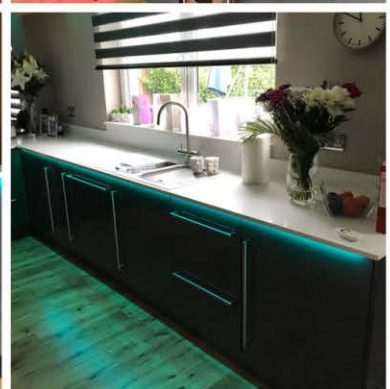
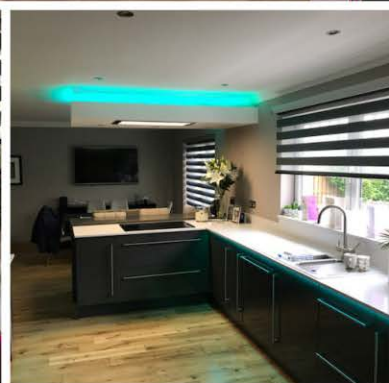
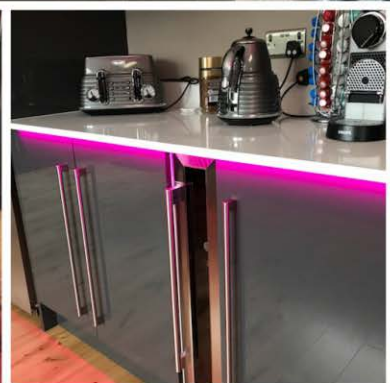
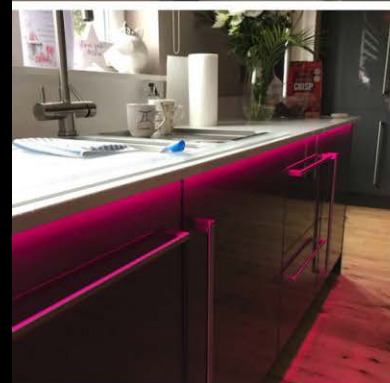




EDEN illumination



EDEN illumination



EDEN illumination



EDEN illumination



EDEN illumination





Please visit our website for our
full range of products and catalogues
www.edenillumination.co.uk