

# THE TRAVELER BREEZE ULTRALIGHT & AFFORDABLE

Happier  
Camper

STARTING AT  
**\$39,950**

ORDER NOW

## FEATURES & HIGHLIGHTS

The Traveler (HCT) Breeze is designed to be lighter, simpler and affordable. This double-hull fiberglass shell has a built-in kitchenette and the Adaptiv® modular space to add more components, such as a shower, to fit anybody's specific camping needs.

- Built to last for generations to come
- Towable by most cars and fits in a single parking spot
- Two areas that easily and quickly convert from a living space to an Adaptiv queen-sized (front) and full-sized (rear) bed
- Modular interior system – never static, reconfigure on the fly
- Compact yet sleeps up to 6 with the bunk beds
- Built-in kitchenette w/ sink, portable stove, and prep space
- Optional Adaptiv modular shower and toilet upgrades
- Available in two colors: Mammoth White or Venice Breeze
- Limited customization options available



ADD SLEEPING SPACE  
WITH BUNK BEDS



FRIDGE CHEST AND  
TOILET INCLUDED



BUILT-IN KITCHENETTE



SELF-SUSTAINED AND  
ADVENTURE READY

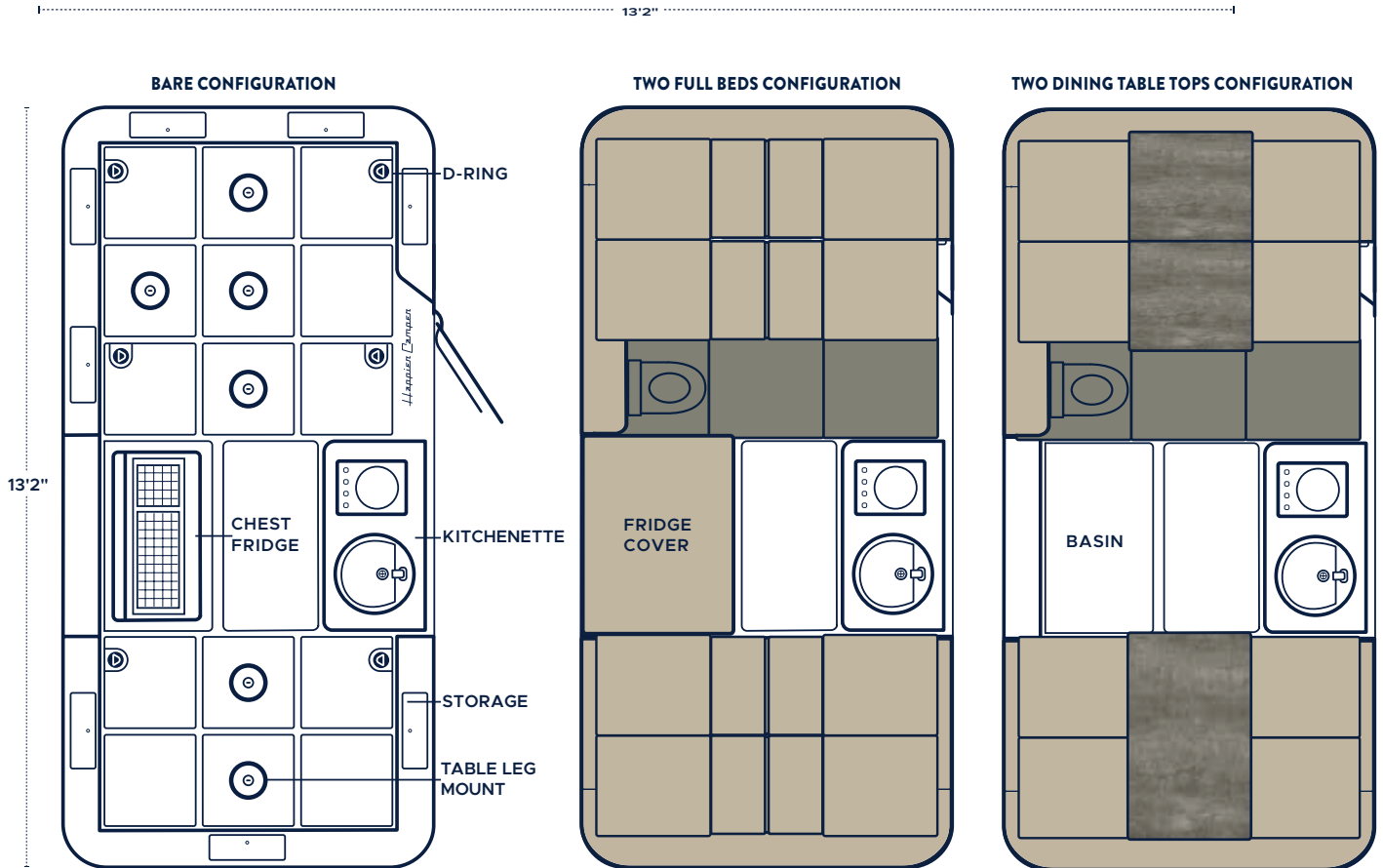
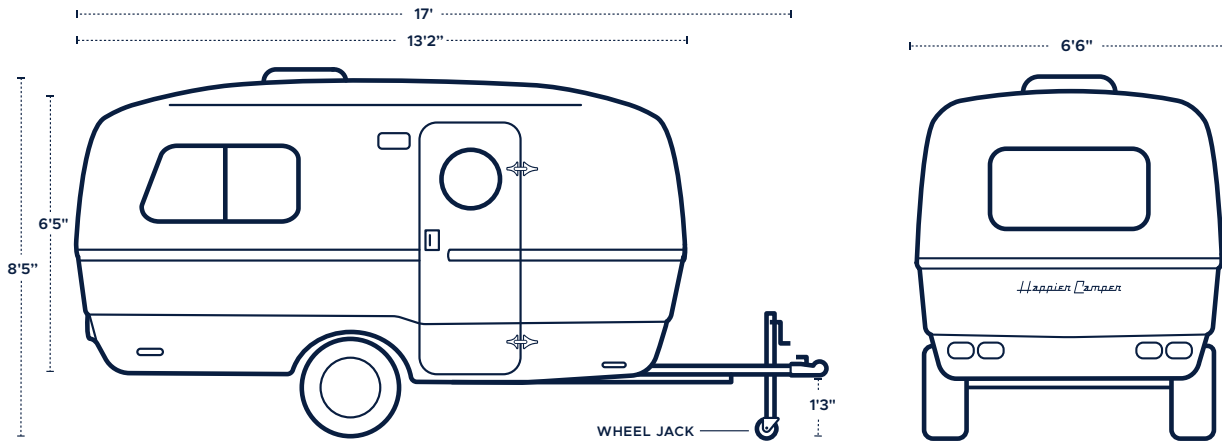
## BASE SPECIFICATIONS

SLEEPS	UP TO 6
DRY WEIGHT	~1800 LBS
EXTERIOR HEIGHT	8' 5"
EXTERIOR WIDTH	6' 6"
SHELL LENGTH	13' 2"

OVERALL LENGTH	17"
INSIDE WIDTH AT BED	6' 5"
INTERIOR HEIGHT	6' 5"
GVWR	3500 LBS
WALKABLE FLOOR SPACE	85 SF

MEASUREMENTS MAY VARY

## TECHNICAL SPECIFICATIONS & FLOORPLAN



The modular floor is made of 1.5" thick honeycomb fiberglass. It's strong and light. Grooves are embedded in the floor to hold the Adaptiv® cube components in place just like Lego®. Use D-rings to tie down items such as kayaks.

Add a bunkbed to add another sleeping space in the front or the back. Add an Adaptiv row to extend the front full bed to a queen bed.

Table legs easily attach to the floor and are conveniently placed to create a sturdy surface. Add patio bases to use your tables outside.