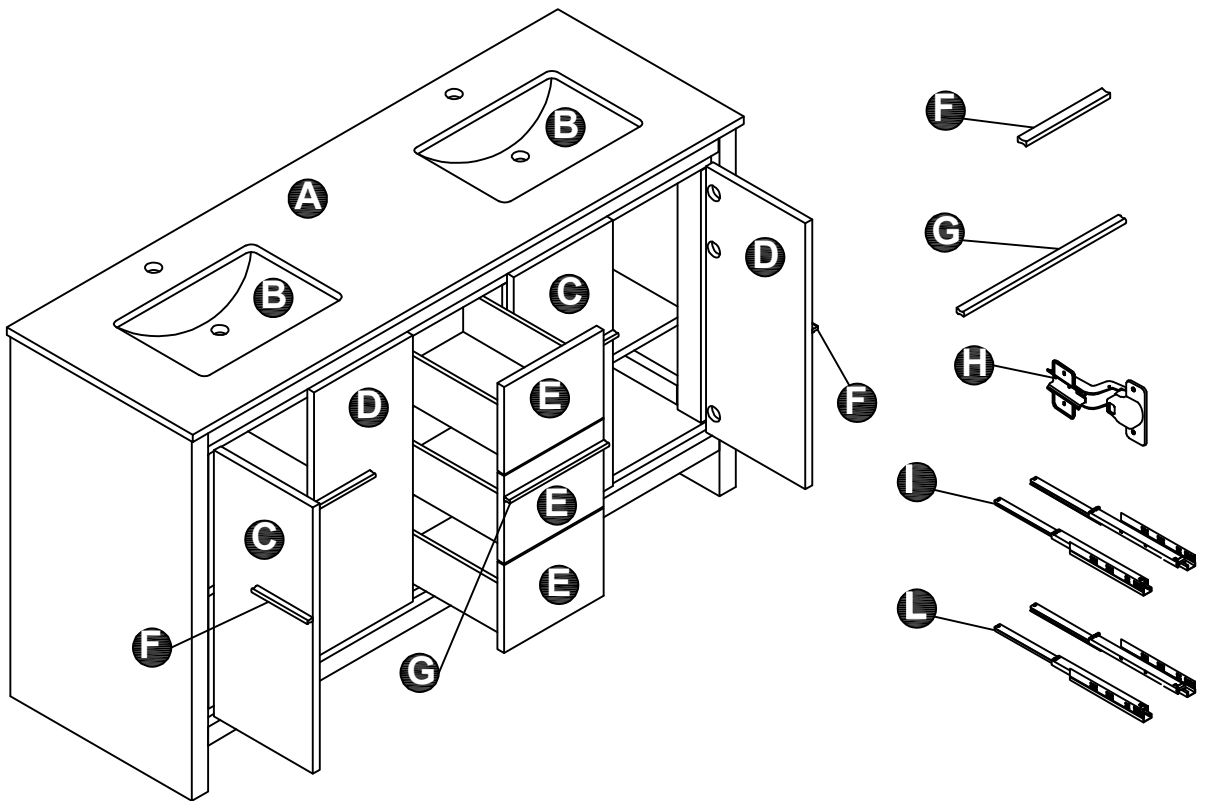


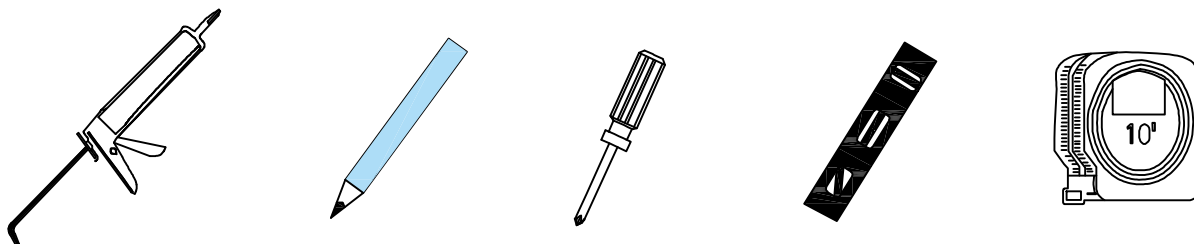
PART LIST



PART	DESCRIPTIONS	QUANTITY
A	Countertop	1
B	Basin	2
C	Door Left	2
D	Door Right	2
E	Drawer	3

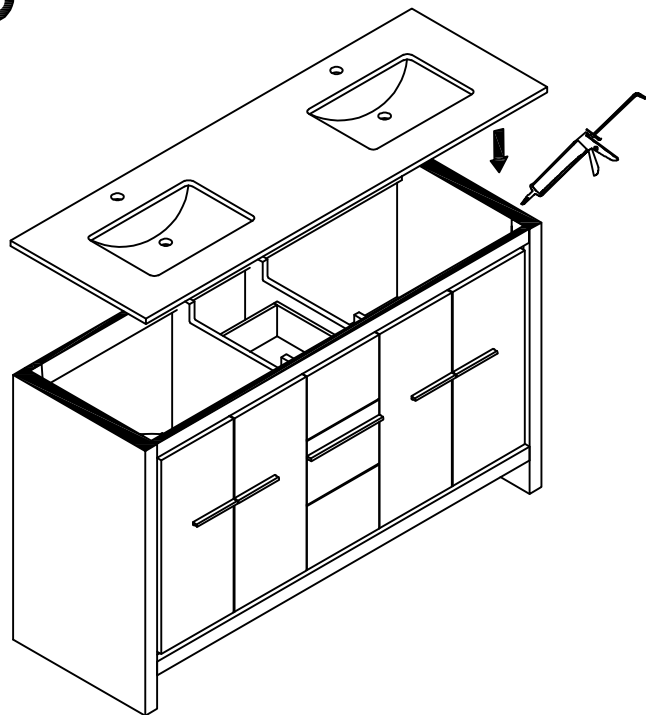
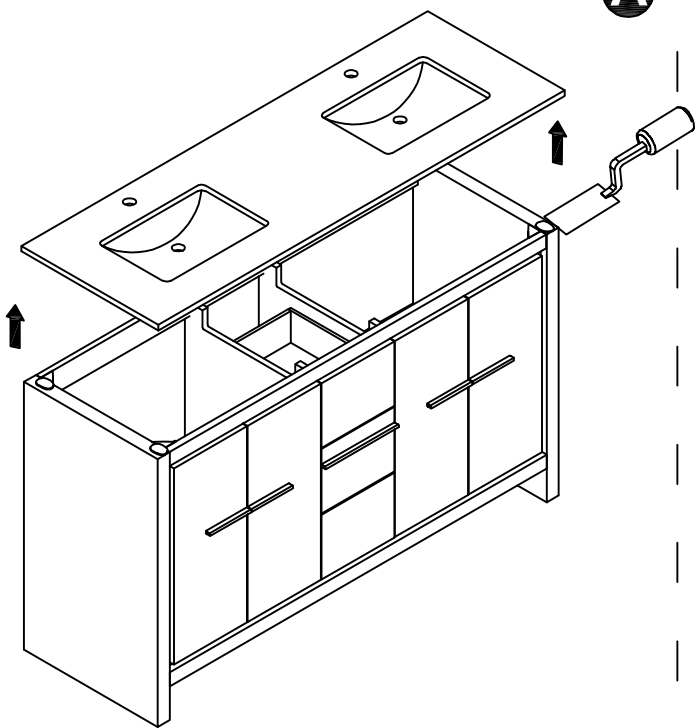
PART	DESCRIPTIONS	QUANTITY
F	Handle	4
G	Handle	1
H	Hingle	12
I	Drawer glides (Midd)	1
L	Drawer glides (Push)	2

TOOLS REQUIRED (NOT INCLUDED)

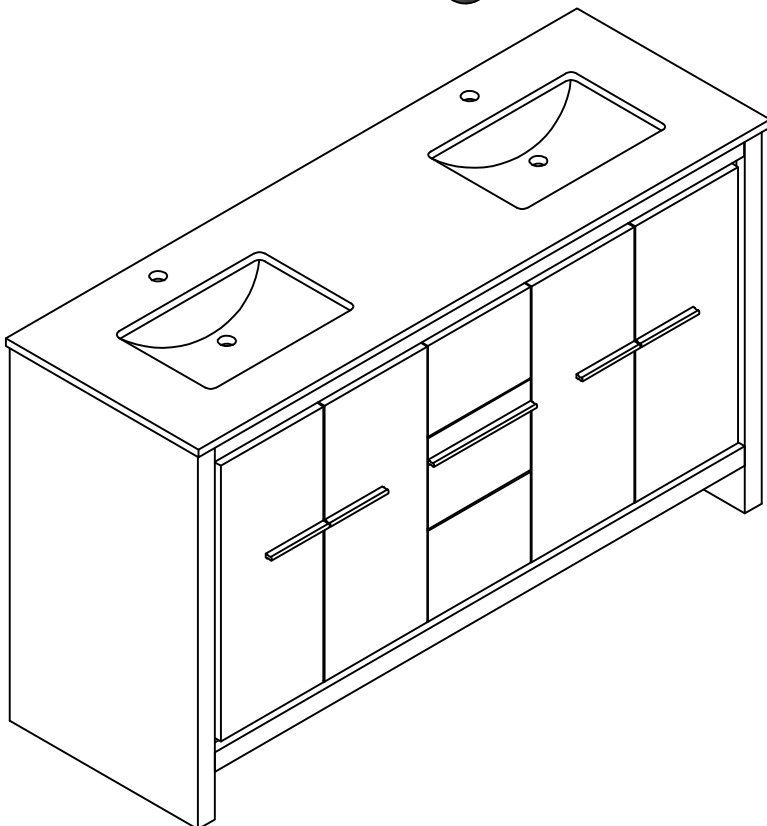


INSTALLATION

A **B**



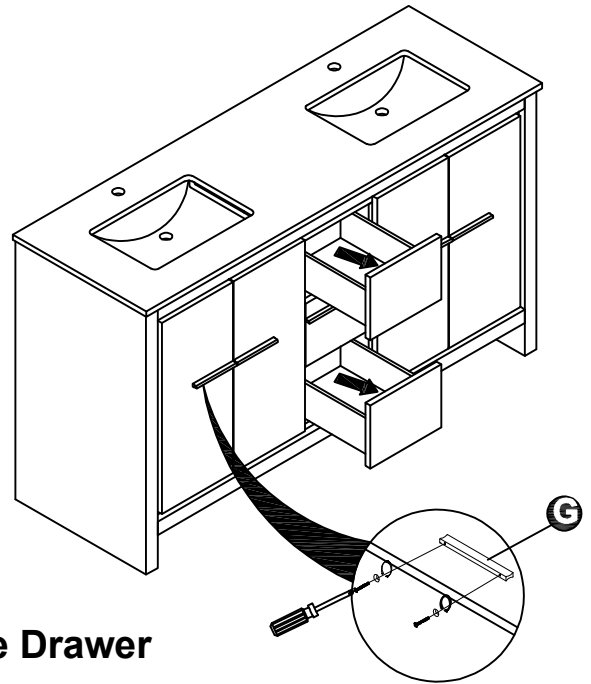
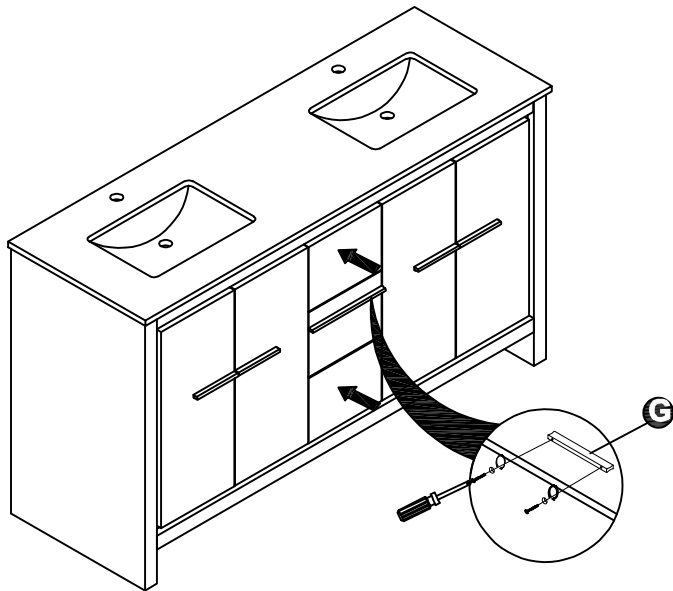
C



24!

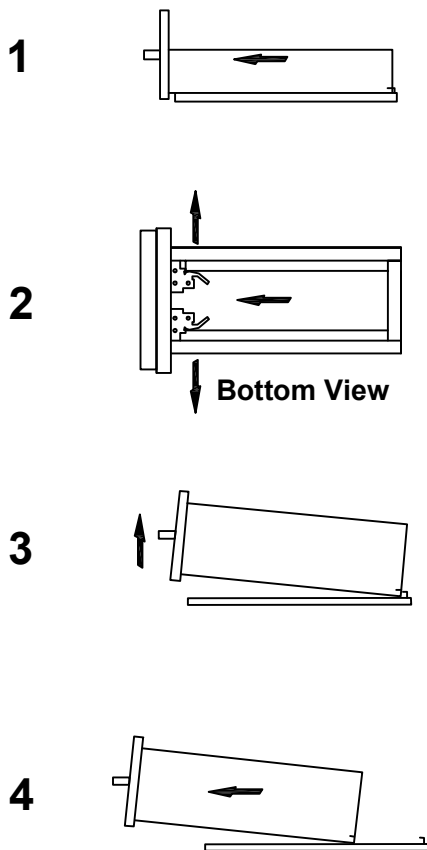
DRAWER

A



1 Push Open / Close Drawer

REMOVE



INSTALL

