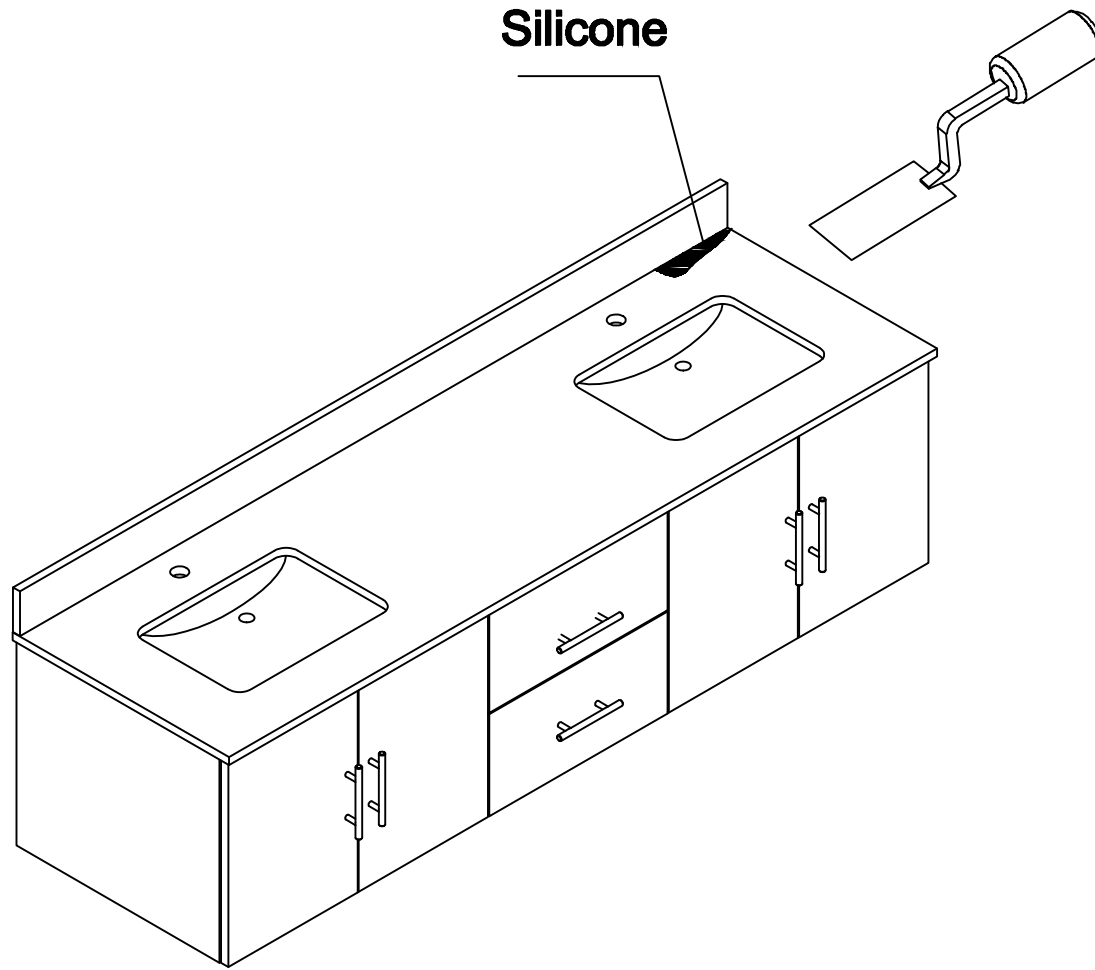


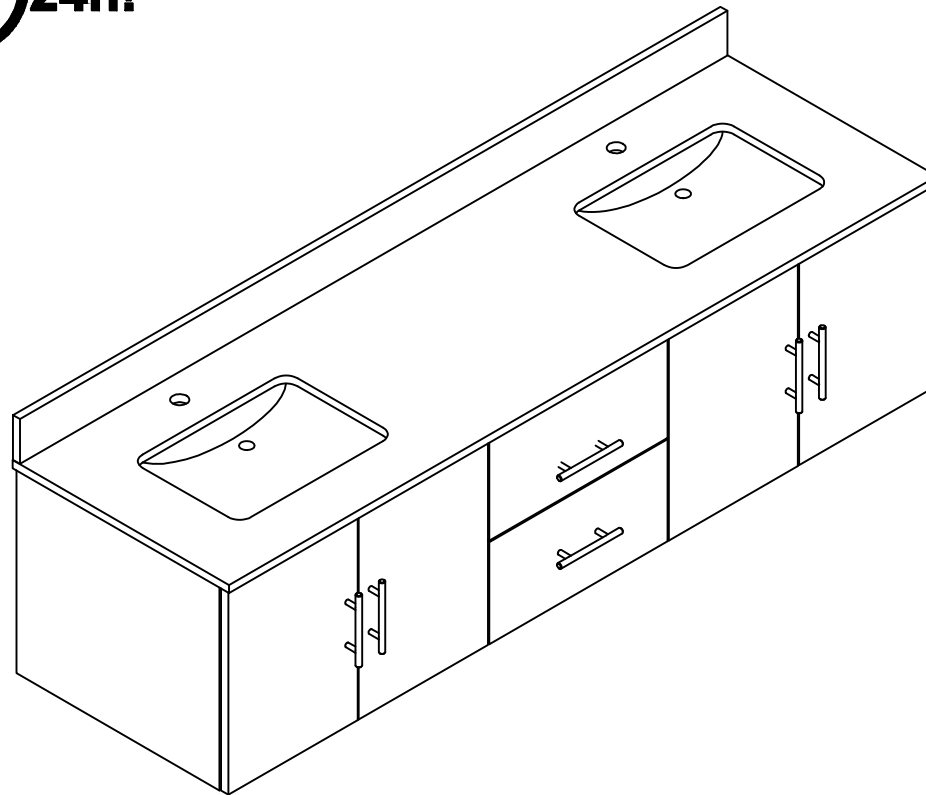
7

Silicone



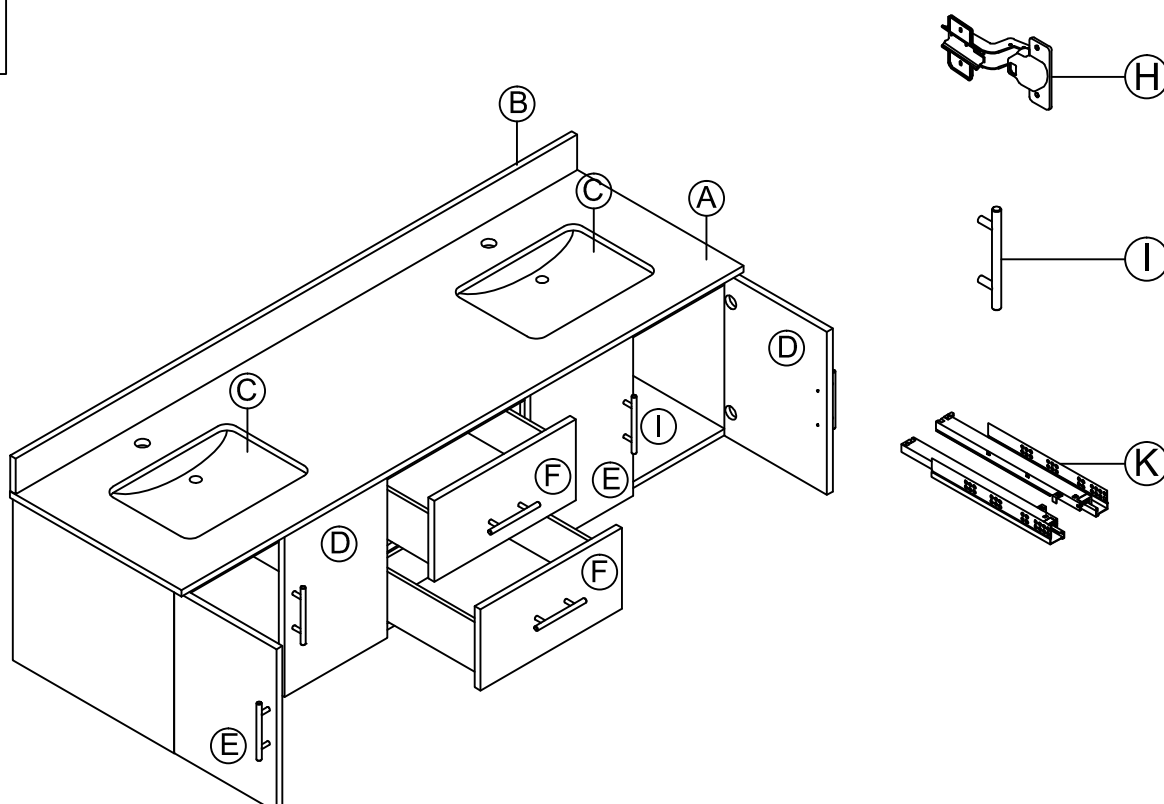
INSTALLATION

8



INSTALLATION

9

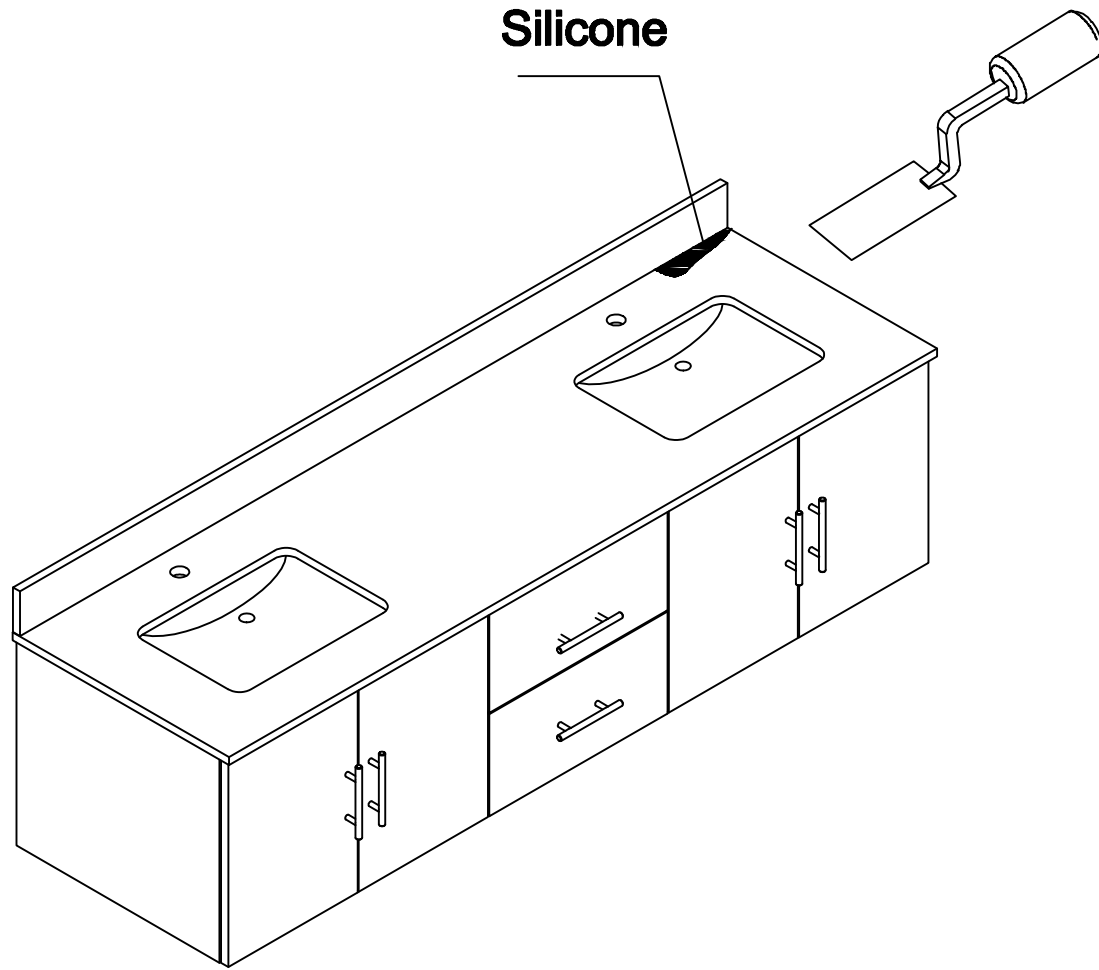


PART#	DESCRIPTION	QUANTITY
A	Countertop	1
B	Backsplash	1
C	Basin	2
D	Door (right)	2
E	Door (left)	2
F	Drawer	2
H	Hinge (door)	8
I	handle	6
K	Drawer glides	2

PART LIST

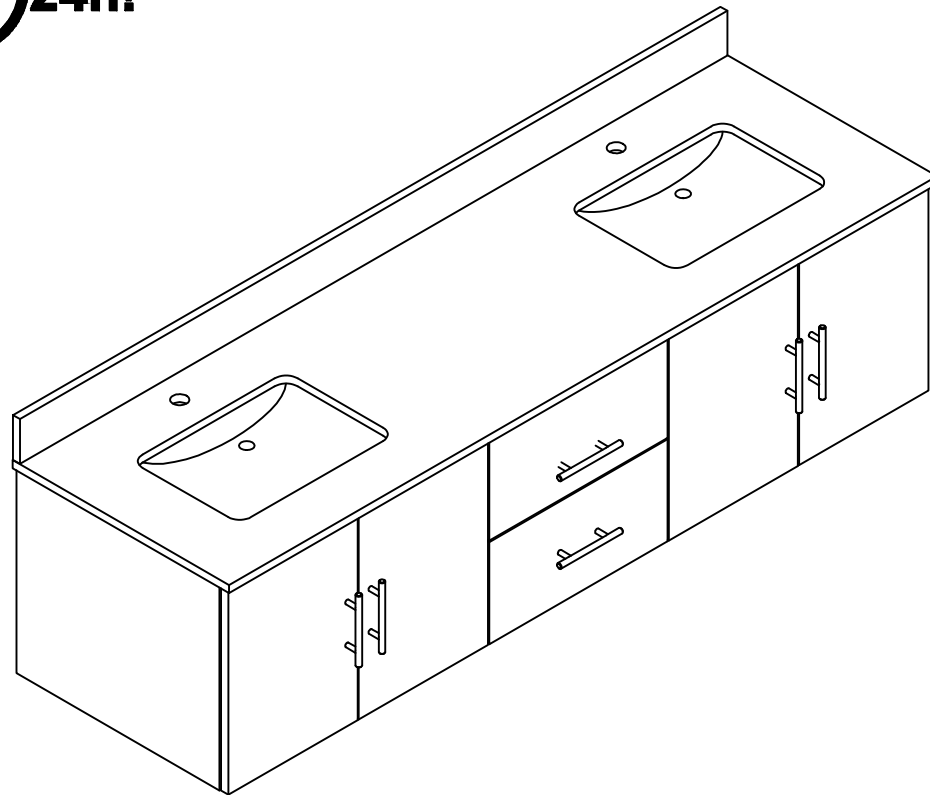
7

Silicone



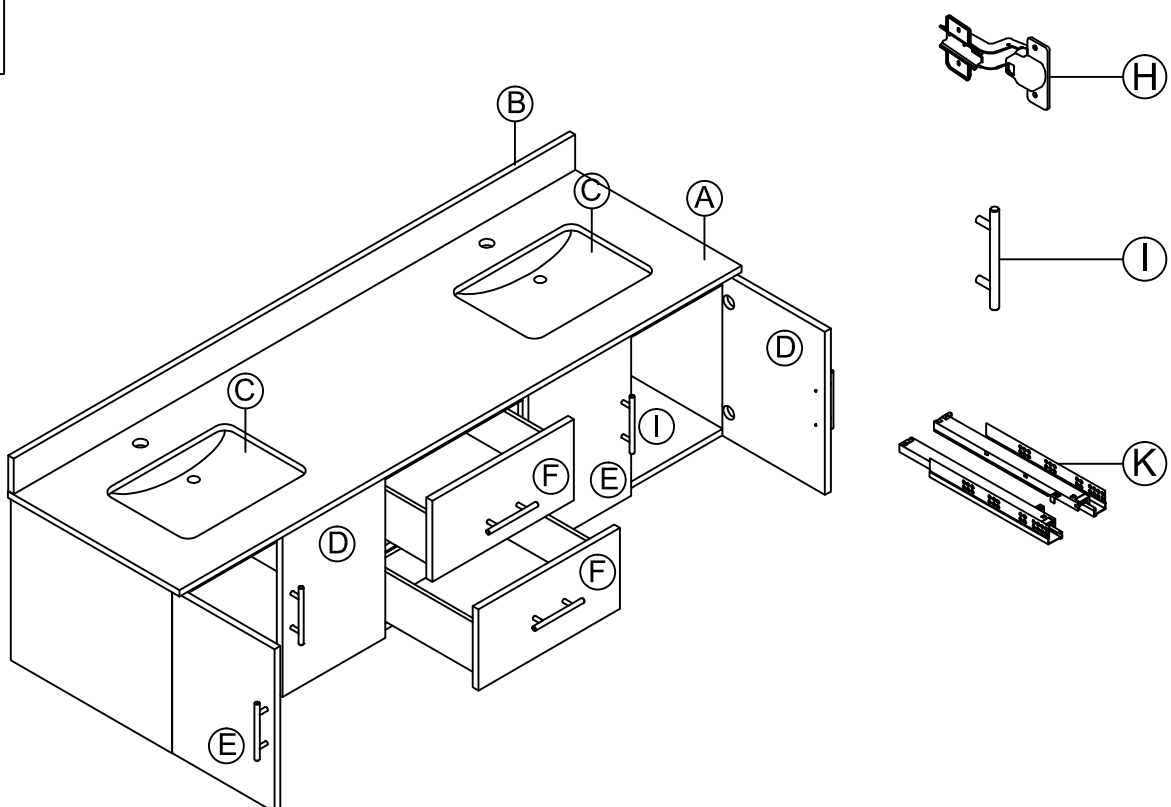
INSTALLATION

8



INSTALLATION

9



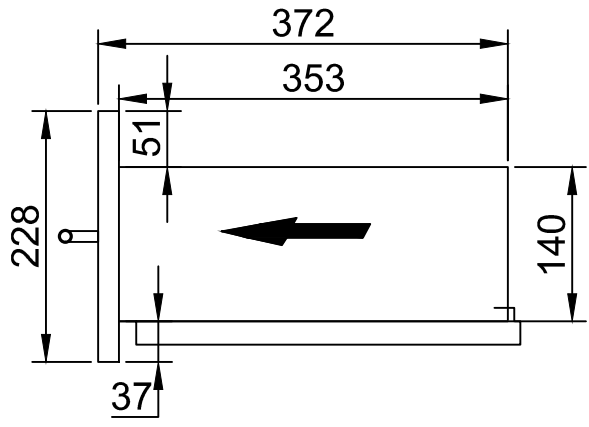
PART#	DESCRIPTION	QUANTITY
A	Countertop	1
B	Backsplash	1
C	Basin	2
D	Door (left)	2
E	Door (right)	2
F	Drawer (middle)	2
H	Hinge (door)	8
I	handle	10
K	Drawer glides	6

PART LIST

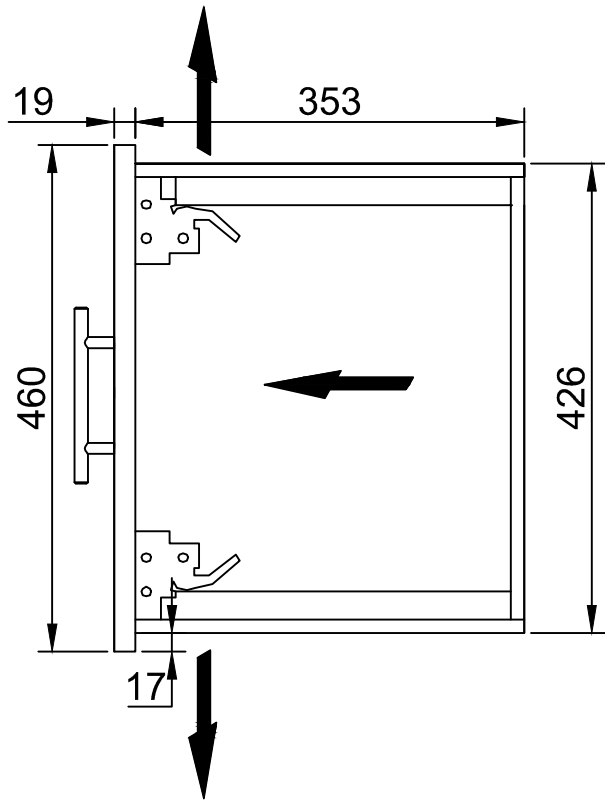
REMOVE

INSTALL

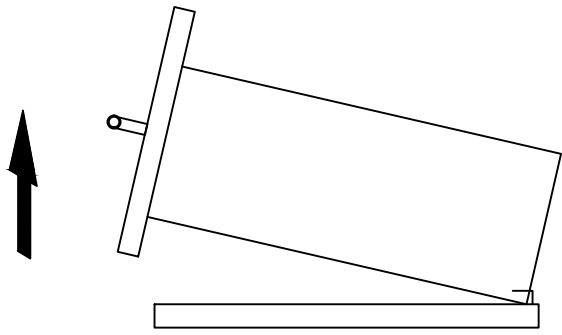
1



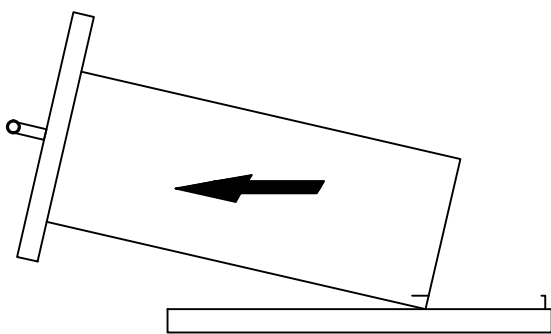
2



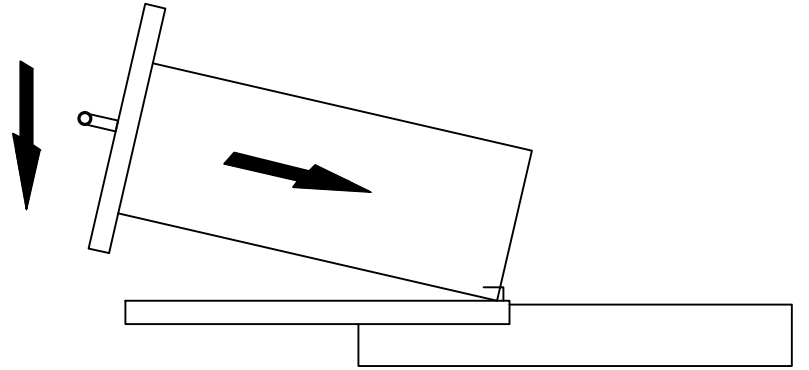
3



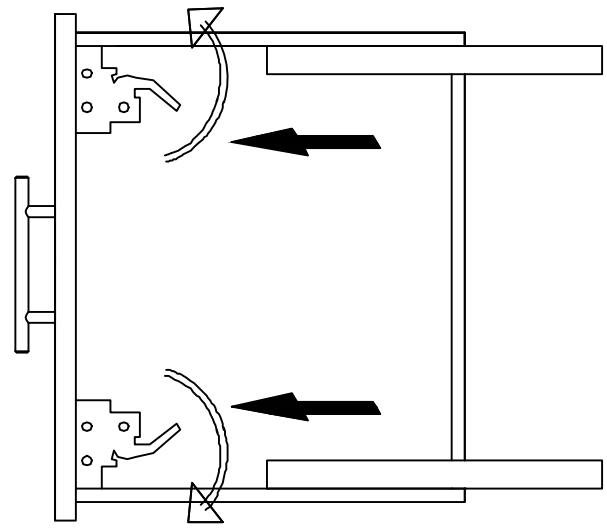
4



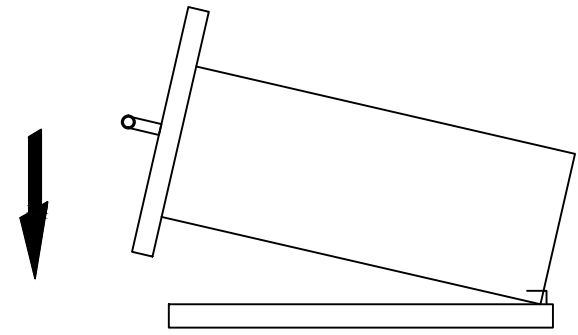
1



2



3



4

