

MIRROR

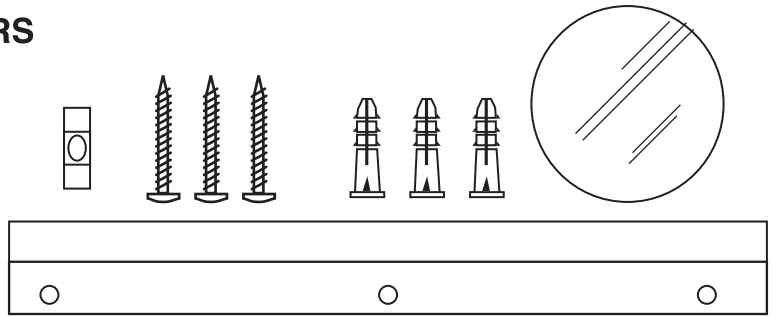
MOUNTING INSTRUCTIONS FOR MIRRORS

Parts List:

- Mirror with Mounting Bracket
- Wall Mounting Clip
- Plastic Wall Anchors
- Screws
- Disposable Level

Tools Needed:

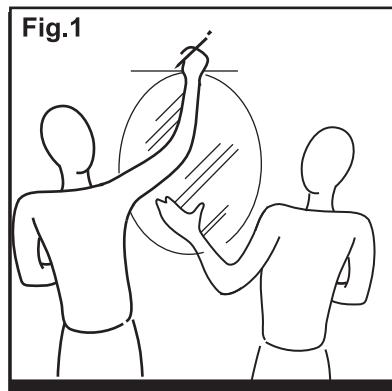
Pencil and Eraser, Drill and 3/16" Drill Bit, Screw Gun or Driver with Phillips Head, Tape Measure, Hammer and Friend to help. (Two People are required to mount this mirror).



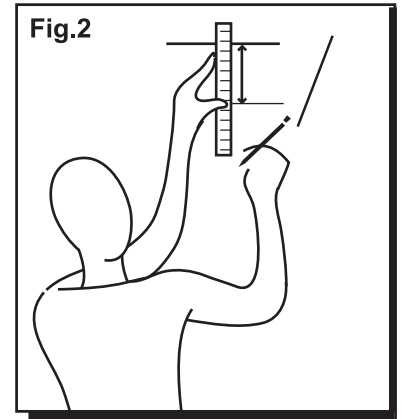
WARNING: Always wear safety goggles and gloves when handling glass. Handle mirror carefully. Do not bump mirror against hard surfaces. Place on towel or soft surface such as carpet when handling. READ INSTRUCTIONS CAREFULLY BEFORE STARTING.

#1 Using a tape measure, check the location where the mirror is to be installed. Be sure the mirror will fit in the desired location.

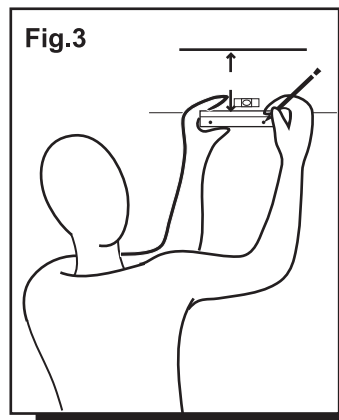
#2 Place the mirror on the wall in area chosen. (Two people are needed for this task). Position the mirror at the desired height in the center of the location. With Pencil mark a line or dot on the very top edge of the arch. See (Fig.1) Set mirror aside in safe place.



#3 From the line made on the wall, using a tape rule, measure down and mark the spot on the wall with a line. (Fig.2)

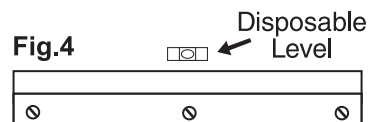


#4 From this spot, 6" below the first mark that corresponds to the top of the arch, position the Hanging Clip. Mark the locations for the screw holes at the bottom of the clip, using the level to make sure the clip is level and straight. (Fig.3) Set the clip and level aside.



#5 Using the Drill and 3/16" Drill Bit-Pre Drill the holes for the wall anchors. Lightly tap the plastic wall anchors into place with hammer.

#6 Reposition the Clip and secure to the wall with the screws provided. Check the level again to determine that the clip is straight and level. (Fig.4)



#7 Carefully place the mirror with the mounting plate onto the installed wall clip. Mirror can be adjusted side to side by gently sliding the mirror along the clip. With mirror centered installation is complete - you look marvelous.

