





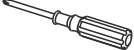





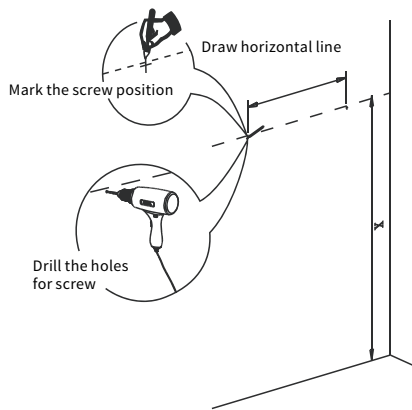
# BELLATERRA HOME

Fine Hand-Crafted Wood Bathroom Vanities

## MODEL: 808204

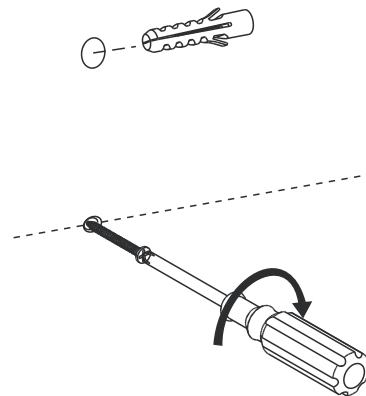
TOOL LIST (NOT INCLUDED)	PARTS LIST (INCLUDED)
 Tape Measure	 Screw (2pcs)
 Pencil	 Anchor (2pcs)
 Electric Drill	
 Drill Bit	
 Screwdriver	
 Spirit Level	

Mark the position of the screw holes on the wall by measuring the space between the mounting brackets on the back of the mirror. Vertical position (X) is decided by the use. Use a spirit level to ensure the screws holes are in line.



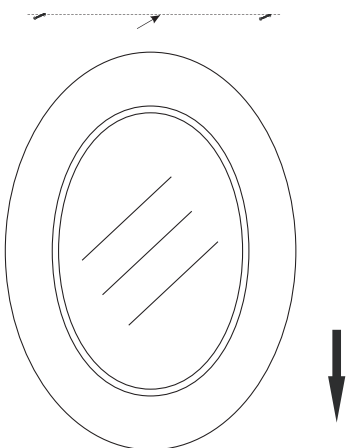
### STEP 1

Insert the anchor into the screw hole for reinforcement



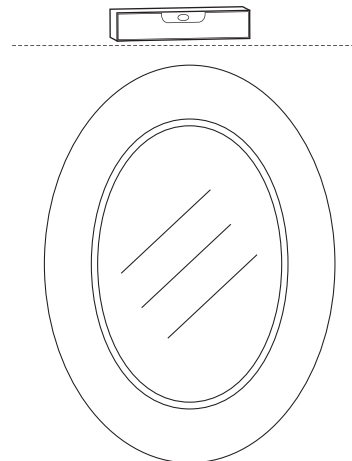
### STEP 2

Attach the mirror to the wall by lowering the bracket onto the screws.



### STEP 3

Use a spirit level to ensure the mirror is level from left to right, adjust if needed.



### STEP 4

Licensed professional installation is recommended. These instruction are for mounting into studs or other in-wall reinforcement, drywall alone is not sufficient to support wall-hung vanities. Other installation techniques may require a licensed professional.

**NOTE: SINK STYLE, SHAPE, FAUCET HOLES, CUTOUT ON TOP, VANITY MAY VARY FROM THE PICTURE ABOVE. INSTRUCTIONAL PURPOSE ONLY.**