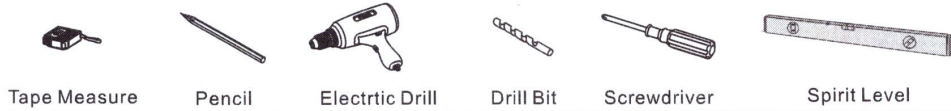


BELLATERRA HOME

Model: 7611-MC-ES

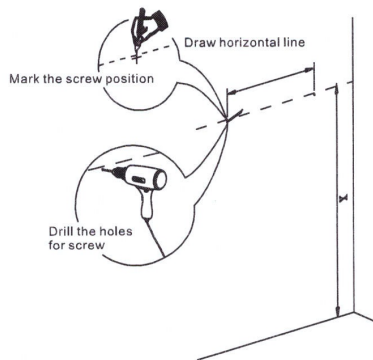
Tools List (Not included)



Parts List (Included)

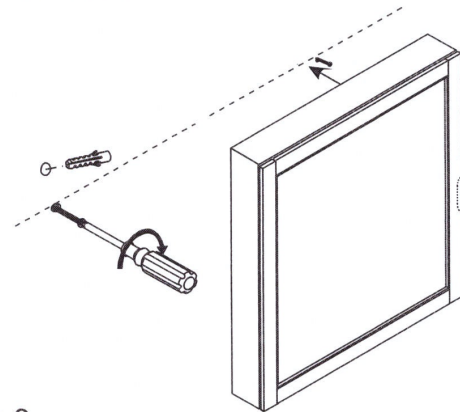


Mark the position of the screw holes on the wall by measuring the space between the mounting brackets on the back of the mirror cabinet. Vertical position (X) is decided by the use. Use a spirit level to ensure the screws holes are in line.



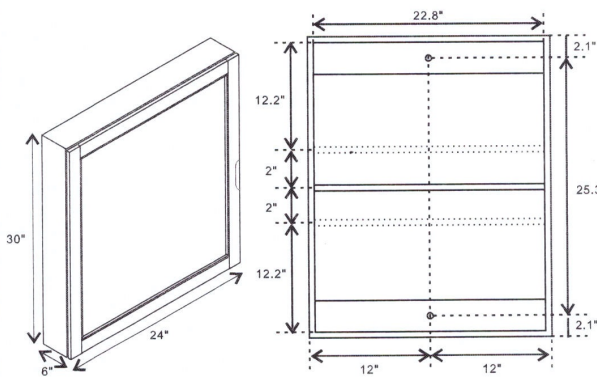
Step 1

Insert the anchor into the screw hole for reinforcement, attach the mirror cabinet onto the wall by driving the screw through the hole on the back of the cabinet, then cover with the decoration cap.



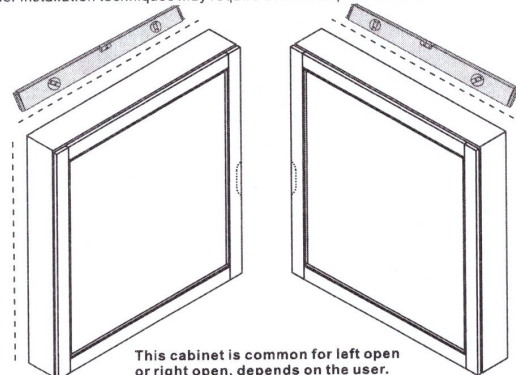
Step 2

Please refer to the measurement of the mirror cabinet as below, interior shelf adjustable.

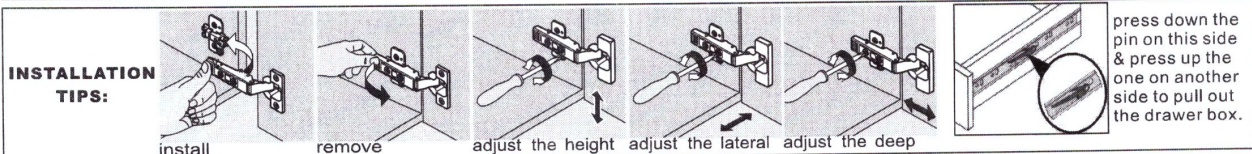


Step 3

Use a spirit level to ensure the mirror is level from left to right, adjust if needed. Licensed professional installation is recommended. These instructions are for mounting into studs or other in-wall reinforcement, drywall alone is not sufficient to support wall-hung vanities. Other installation techniques may require a licensed professional.



Step 4



NOTE: SINK STYLE, SHAPE, FAUCET HOLES, CUTOUT ON TOP, VANITY MAY VARY FROM THE PICTURE ABOVE. INSTRUCTIONAL PURPOSE ONLY.

Professional installation is recommended.
www.bellaterra-home.com

Bellaterra Home LLC, All Rights Reserved 2016