




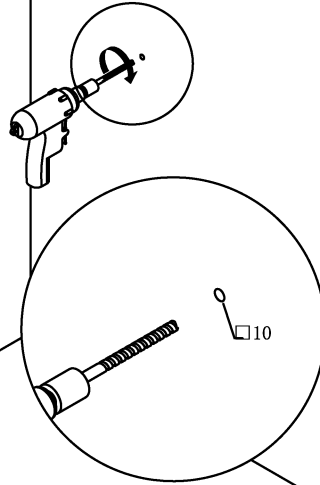
Item No. :502001B-36

Assembly Instructions

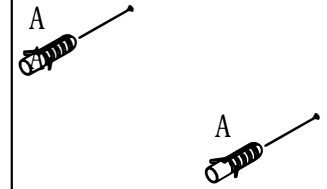
Hardware

| No. | Draw | Qty |
|-----|---|-------|
| A |  | 2 PCS |
| B |  | 2 PCS |
| C |  | 2 PCS |

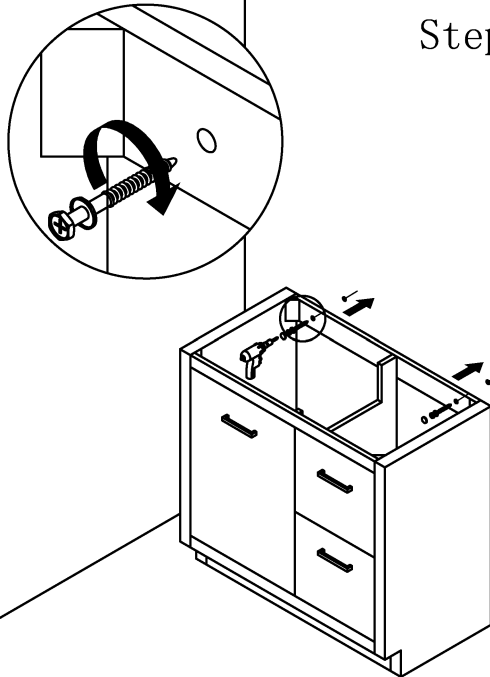
Step1



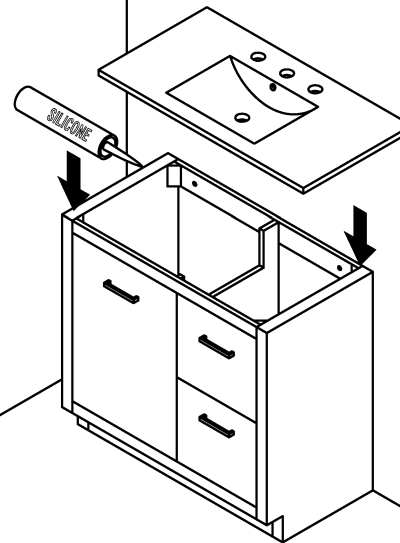
Step2



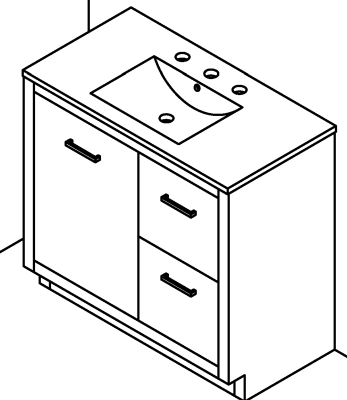
Step3



Step4



Finished



Description:
Main Cabinet
Size:
900x470x850mm

Tools:

