




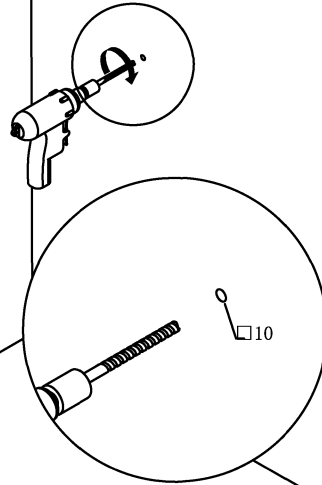
Item No. : 502001B-30

Hardware

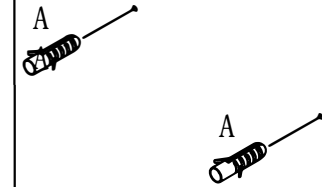
No.	Draw	Qty
A		2 PCS
B		2 PCS
C		2 PCS

Assembly Instructions

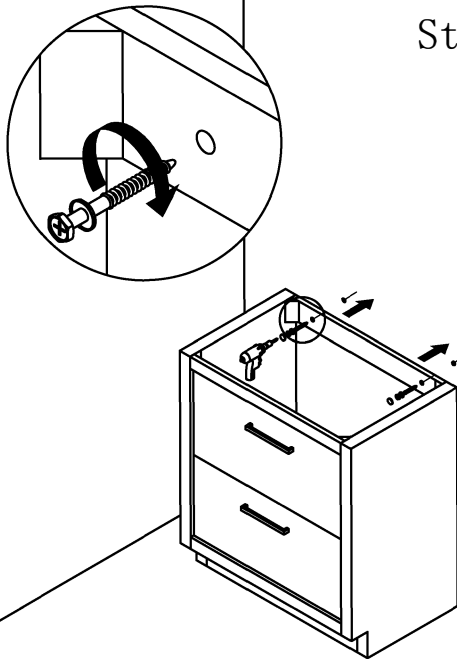
Step1



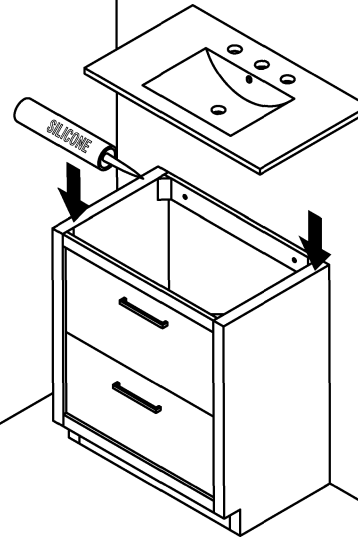
Step2



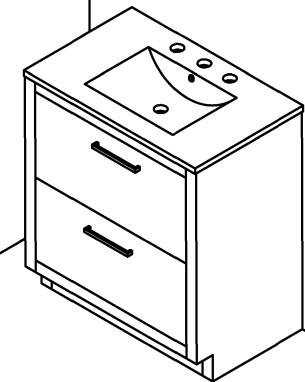
Step3



Step4



Finished



Description:
Main Cabinet
Size:
750x470x850mm

Tools:

