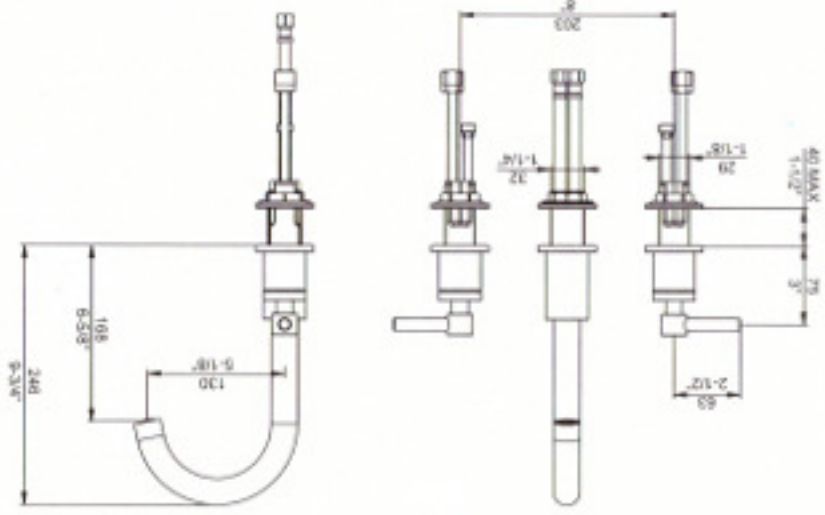
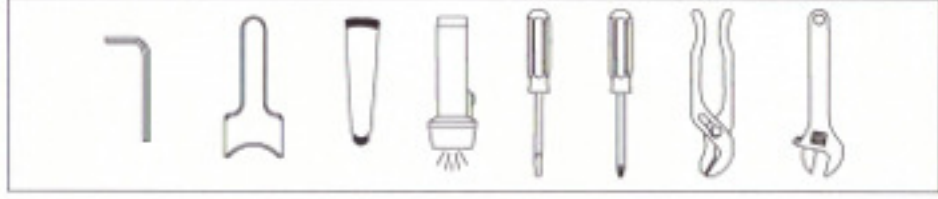


Basin Faucet

DIMENSION DRAWINGS:



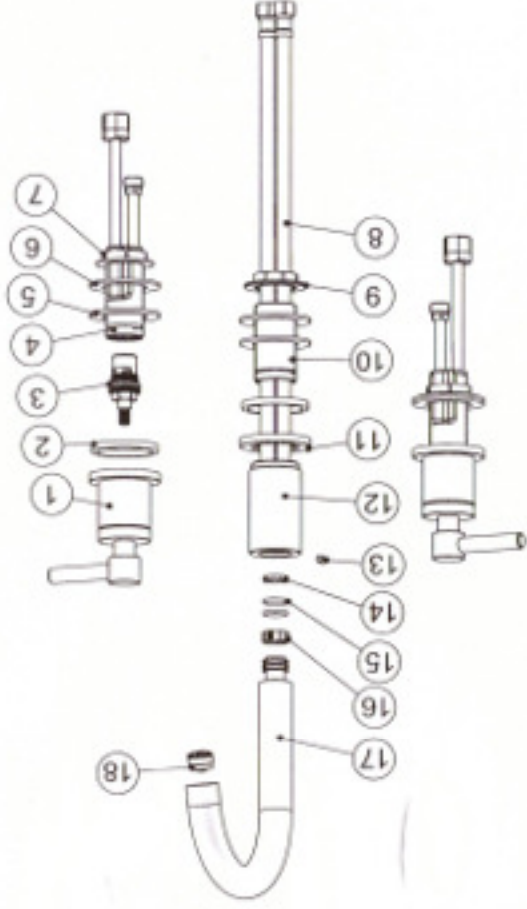
YOU MAY NEED



1

PARTS:

No	Component
1	Handle
2	Washer
3	Cartridge
4	Valve
5	Washer
6	Washer
7	Lock Nut
8	Flexible Hose
9	Lock Nut
10	Screwed Connector
11	Base Ring
12	Body
13	Screw
14	Plastic Ring
15	O-Ring
16	Plastic Ring
17	Spout Pipe
18	Aerator



TROUBLE-SHOOTING

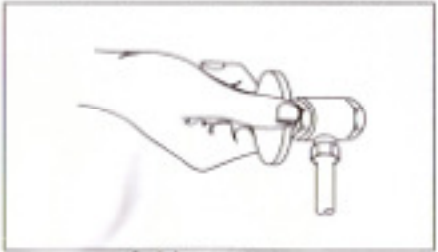
If you've followed the instruction carefully and your faucet still does not work properly, take these corrective steps.

Problem	Cause	Action
Leaks underneath handle.	Cartridge has come loose.	Tighten the cartridge.
Aerator leaks or has an inconsistent water flow pattern.	Aerator is dirty or worn out or misaligned.	Unscrew the aerator to clean or replace washer, or replace the aerator.
Water will not shut off completely.	Dirty or worn out washer in cartridge.	Remove handle and cartridge to check if the washer is damaged permanently or dirty. Re-install cartridge.

2

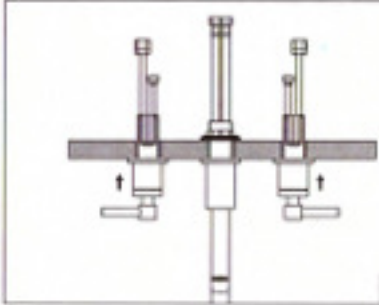
INSTALLATION PROCEDURES

1. Turn Offwater Supply



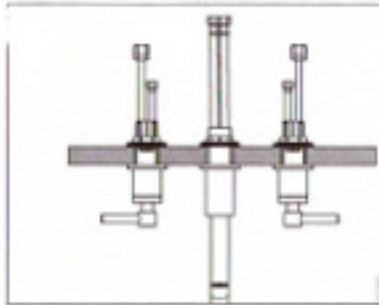
You should clean all the dirt from valve outlets. Turning off the water supply valves. This is usually found near the water meter. If you are replacing an existing faucet, remove the faucet from the sink and clean the sink surface thoroughly.

2-2



Place Mounting Nut, Metal Washer and Rubber Washer over Valve Shank. From underside sink, insert valve body through mounting holes. The hot valve, labeled with red tag should be positioned to the left side of the spout.

2-4



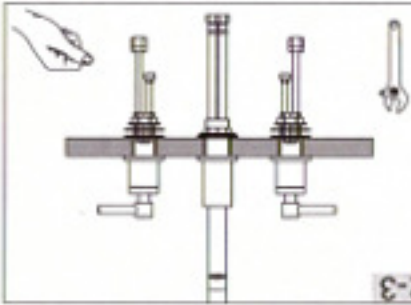
2-1



2. Install Faucet

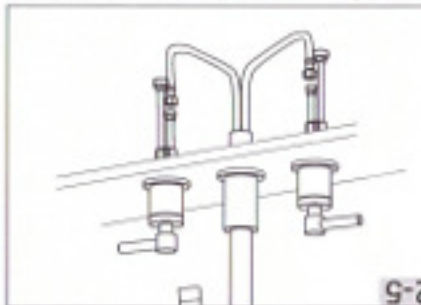
Be sure that O-Ring is placed to the bottom of the spout body. Insert Spout Shank through the center hole of sink. From underneath sink, place Plastic Washer and Metal Washer onto spout shank and tighten with Mounting Nut by hand before final tightening, be sure Pop-up Hole-facing back.

2-3



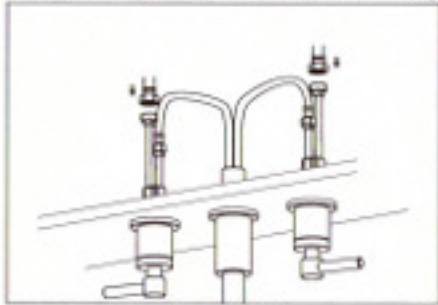
From underneath sink, tighten Mounting Nut by hand. Before final tightening, make sure Valve Body Side Connector facing Spout Body.

2-5



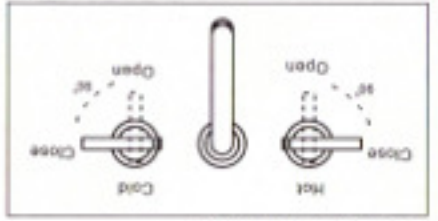
Connect Spout hot water flexible hoses to the Left Valve Side Connector. Tighten flexible hoses Nut. Connect Spout cold water supply line to the right Valve Side Connector.

3. Water Supply Line Connections



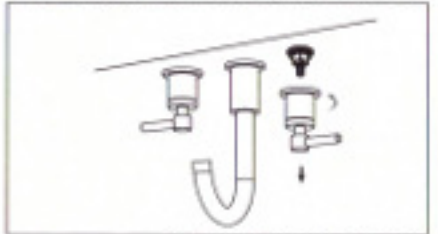
Connect hot and cold water flexible hoses to faucets. **Warning!!!** Do not over-tighten nut during installation. Over-tighten may crack the valve and cause severe leak.

5. Valve Function



By rotating the handle closed to the spout, the Valve will be activated allowing water to flow. The water flow will increase by continuing to rotate handle. By rotating the right handle to the left, the water temperature will decrease to cold flow only. By rotating handle left to the right, the water temperature will increase to hot only.

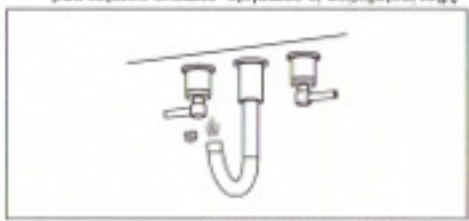
7. Handle Removal



Turn off water and relieve pressure! Detach handle from faucet using a small flathead screwdriver, unscrew set screw using Allen Wrench and take off handle.

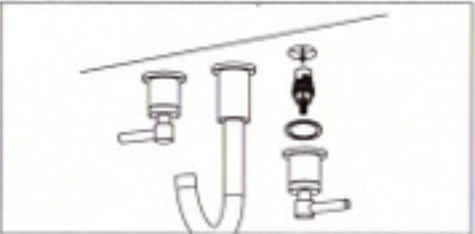
MAINTENANCE AND CARE

6. Faucet Start Up



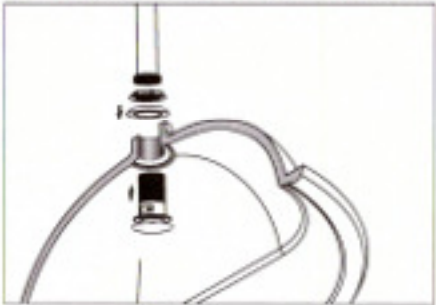
After installation is complete, remove aerator and rotate handle to the close position. Turn on the Water Supply Valves, and check all connections for leak. Turn on your faucet and allow both hot and cold water to run at least one minute each. Replace Aerator.

8. Valve Removal



Remove handle. Unscrew Dome Cap counter clockwise by hand. Unscrew Retaining Nut using adjustable wrench. Take out cartridge assembly and inspect. Replace parts as necessary. Reassemble parts by reversing steps.

4. POP-UP Assembly Installation



As shown, insert Flange with washer through Sink drain Hole. From underside, thread Drain Body into Flange, holding the drain body in position with Red Opening Facing Back, tighten Metal Locknut securely. Thread Drain Tailpiece into Drain Body.