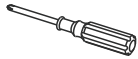


BELLATERRA HOME

Model: 203054-ES

Tools List (Not included)



Screwdriver



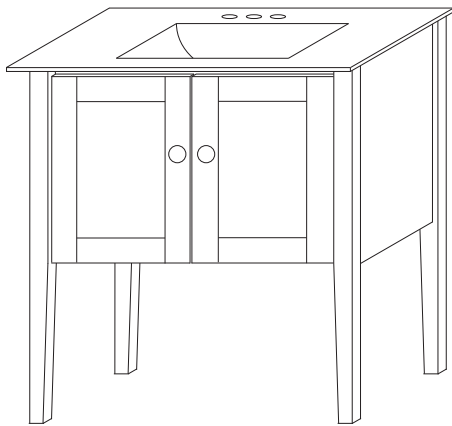
Silicone

Parts List (Included)



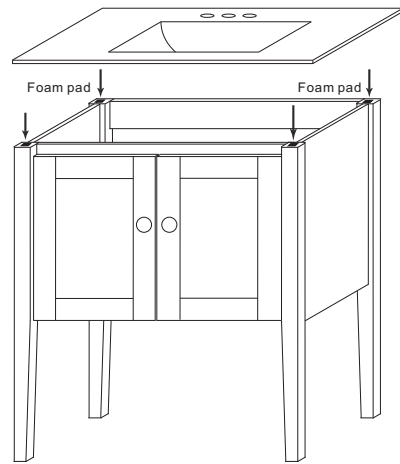
Foam pad
(4pcs)

Check if the integrated phoenix stone sink on the top of vanity stays firm on the vanity.



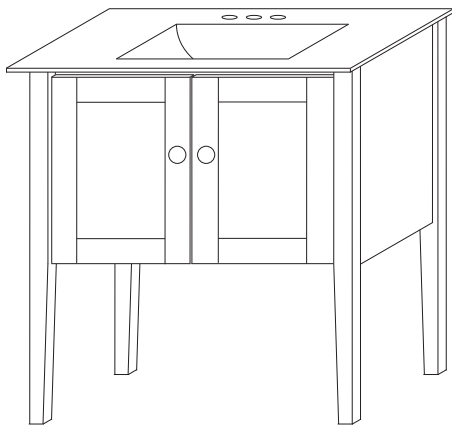
Step 1

If the integrated phoenix stone sink is not staying firm on the vanity, please use the foam pad to fill the gap.



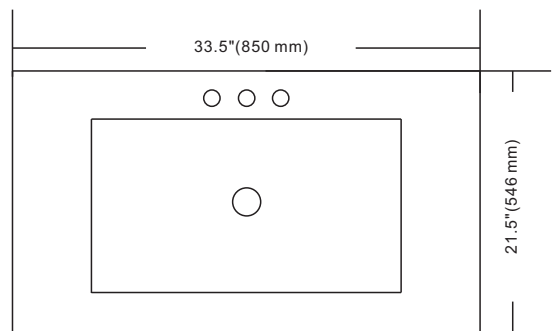
Step 2

Finally, place the phoenix stone sink again to check the stability.



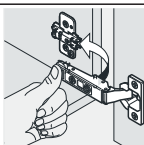
Step 3

Please refer to the measurement of the counter top as below.

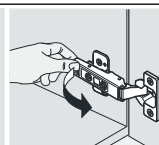


Step 4

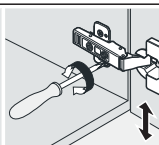
INSTALLATION TIPS:



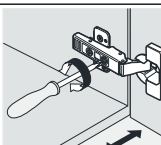
install



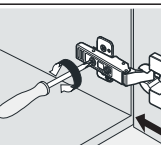
remove



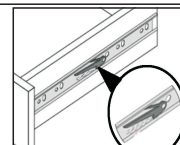
adjust the height



adjust the lateral



adjust the deep



press down the pin on this side & press up the one on another side to pull out the drawer box.

NOTE: SINK STYLE, SHAPE, FAUCET HOLES, CUTOUT ON TOP, VANITY MAY VARY FROM THE PICTURE ABOVE. INSTRUCTIONAL PURPOSE ONLY.

Professional installation is recommended.
www.bellaterra-home.com

Bellaterra Home LLC, All Rights Reserved 2015