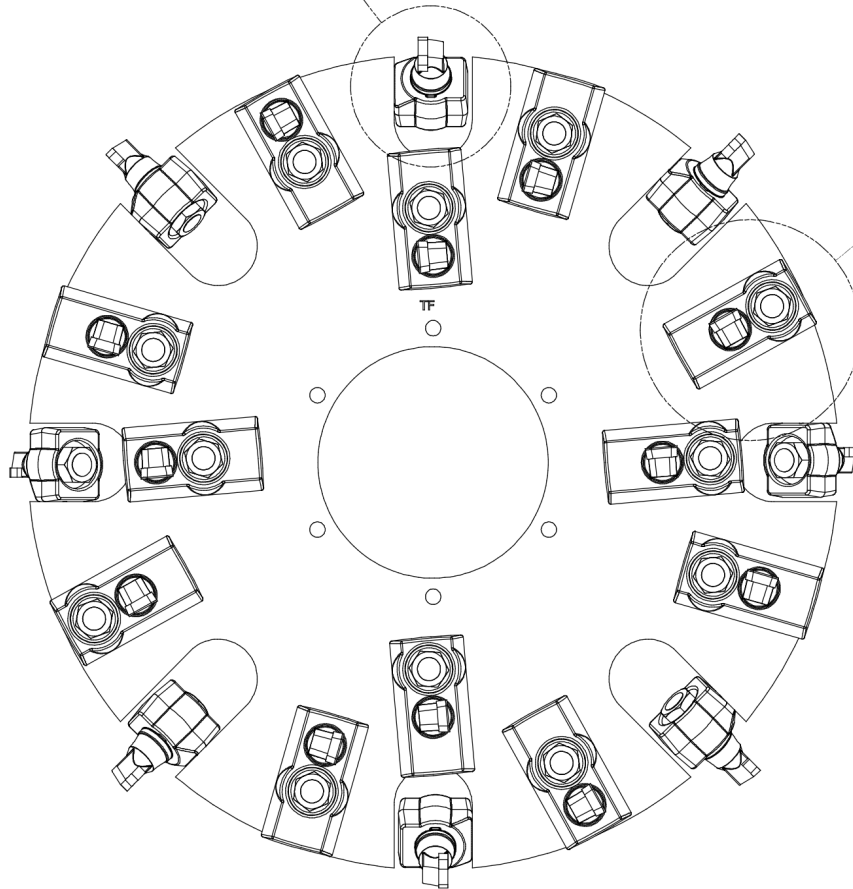
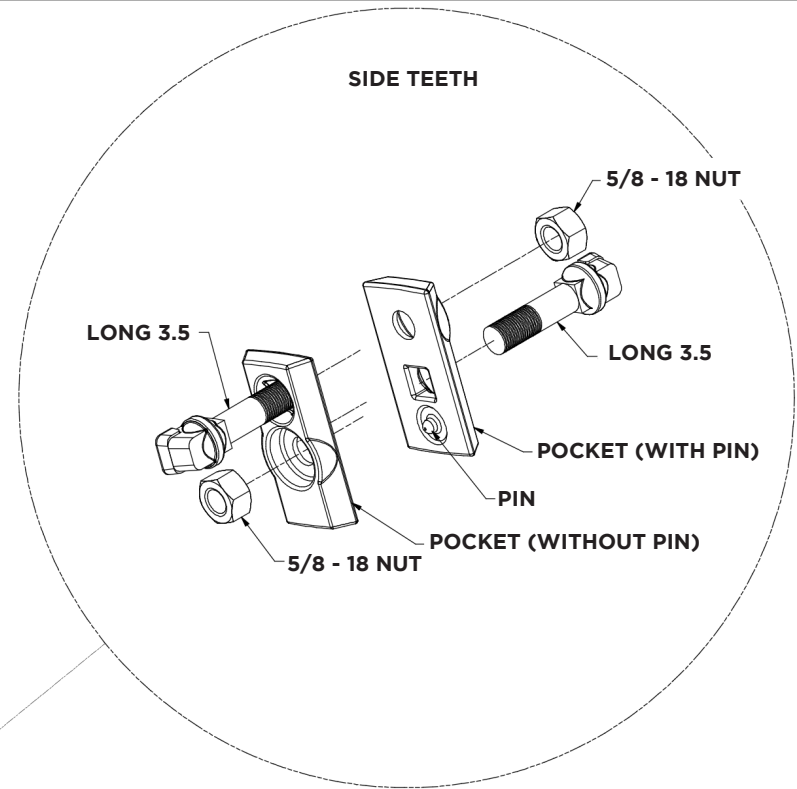
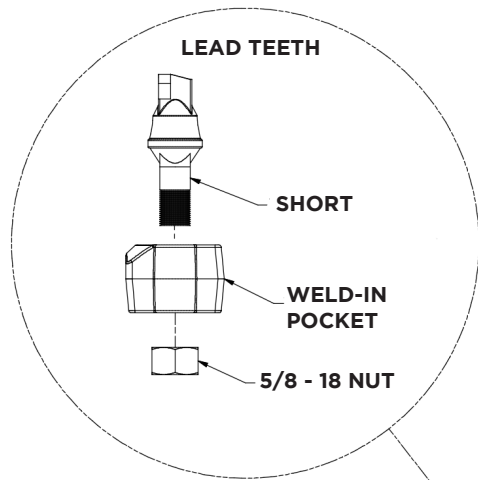


GUIDELINES FOR YOUR REVOLUTION WHEEL



INSTRUCTIONS

- 1) Teeth should be re-torqued after initial 30 minutes of use.
All Teeth - 150 Ft/Lbs.
- 2) A 15/16" socket is required for installing and removing tooth nuts. Some disks may also require a short socket extension to reach lead tooth nuts.

*Tip - A 1 1/4" hole saw with center drill removed can be used to dislodge debris around nut.
- 3) Teeth must be installed with carbide tip facing the cutting disk rotation direction.
- 4) Use of damaged or excessively worn teeth and pockets will reduce life of cutting disk and machine. Replace teeth and pockets as required.
- 5) When side pocket begins to round near perimeter of wheel, rotate pocket to an unworn edge to maximize wheel life.
- 6) Teeth and pockets with light wear can be moved from one side of cutting disk to the other side of the disk to extend use.
- 7) When moving or replacing pockets you must use a pinned pocket at a station with locator pin hole. Use a plain (non-pinned) pocket at a station without locator pin hole. This will insure a correct tooth pattern