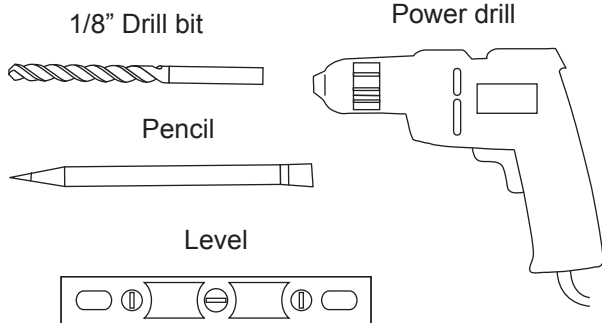


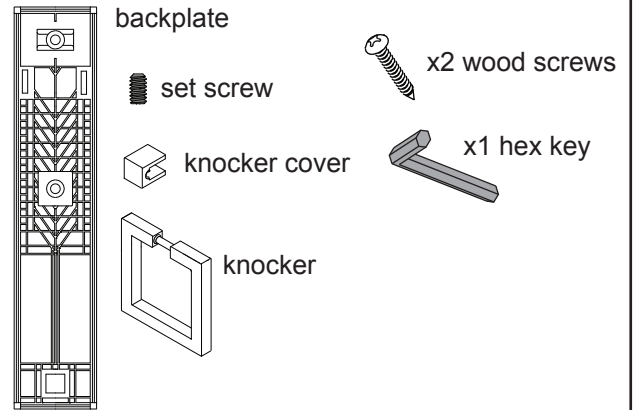
Door Knocker Installation Instructions (Model 3660)

If you have any questions about how to install your hardware, please call us directly at (800) 464-7491 or (310) 374-5700 (for outside of USA) or contact us at support@architecturalmailboxes.com.

Recommended tools (not included)

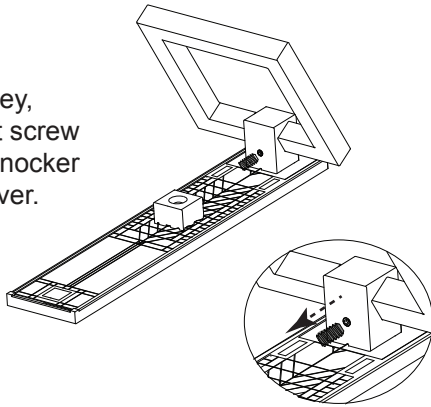


Parts and Hardware (included)

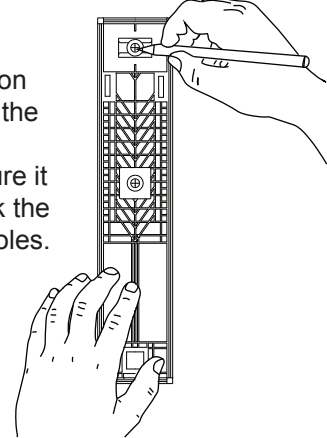


1

Using the hex key, unscrew the set screw to remove the knocker and knocker cover.




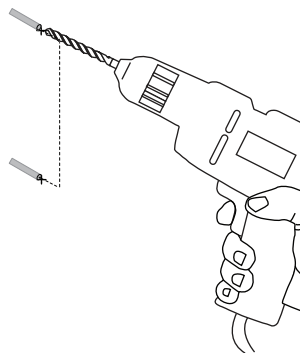
Center the door knocker backplate on the exterior side of the door at the desired location, making sure it is level. Then, mark the center of the two holes.



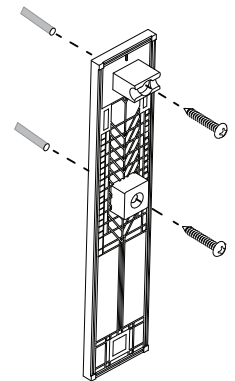
2

Drill pilot holes at each marked location, making sure **not** to drill through the door.

 **Tip:** Mark the drill bit with a marker or tape at about 1" from its end, then use the mark as a guide to make sure you don't drill through the door.

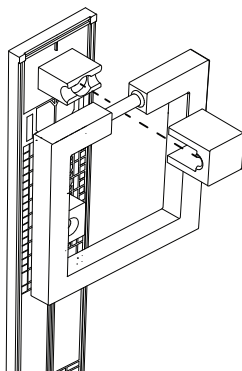


Using the two wood screws, secure the door knocker back plate to the door.



3

Mount the square door knocker and cover to the backplate.



Secure with the small set screw and hex key.

