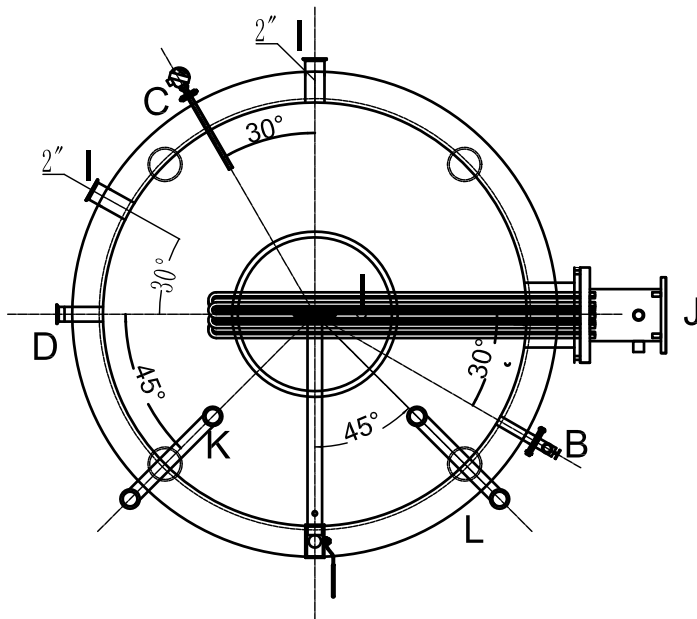
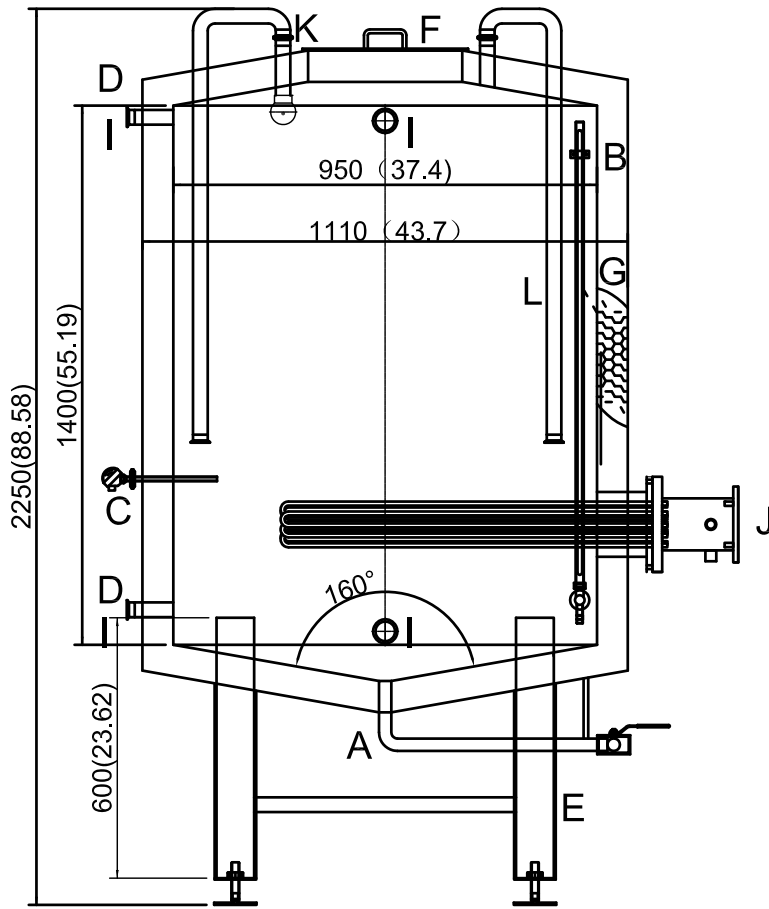


7BBL



Technical Specs

	Interior	Jacket
Material	SUS304	SUS304
Working pressure psi	Ordinary pressure	29
Tank Size	Ø43.7" * 88.6"	
Quantity(Nos)	1	
Heating way	Steam heating	
Storage medium	Hot water	
Insulation material	Polyurethane	
Insulation thickness	3.15"	
Outer tank thickness	0.079"	
Inter tank thickness	0.118"	
Cone angle	160°	
Effective volume BBL	7	
Total volume BBL	9.5	

Specification

Icon	Name	Connecting style	Size
L	CIP pipe	Clamp	Ø1.5"
K	Add water entry		Ø1.5"
J	heating element	Flange connection	Ø4"
I	Hot water outlet	Clamp	Ø2"
H	Steam jacketed	Welding	
G	Insulation thickness		3.15"
F	Manhole door	Quick-open	Ø15.75"
E	Supporting leg	Welding	Ø4"
D	Hot water outlet	Clamp	Ø1.5"
C	Temperature probe		1/2" NPT
B	Level gauge		
A	Drainage outlet	Thread	Ø1.5"

Brewhouse Solutions LLC

7BBL Hot water tank		
	Assembly Diagram	