

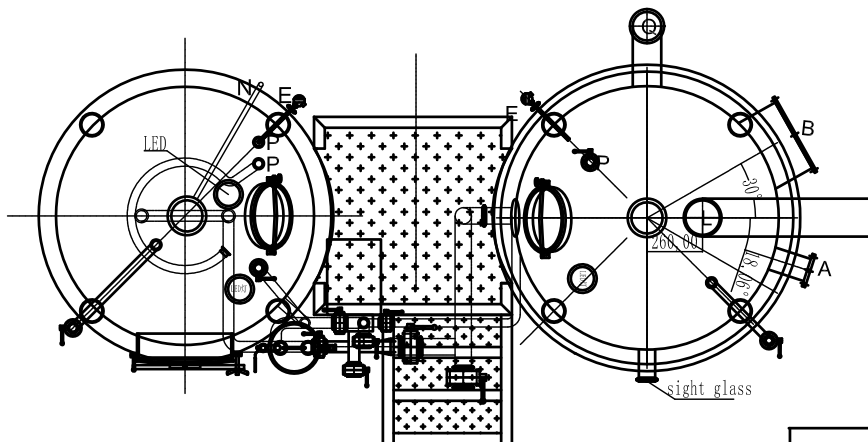
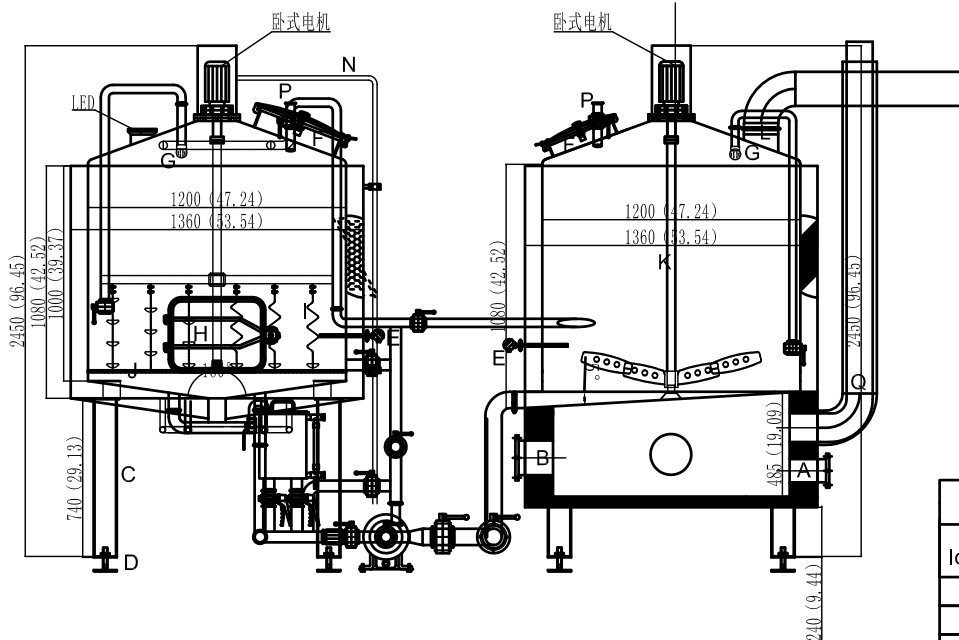
7BBL

Technical Specs

	Interior	Exterior
Material	SUS304	SUS304
Storage liquid	Wort	
Working pressure psi	Ordinary pressure 29	
Tank Size		
Quantity (Nos)	1	
Heating mode	Direct fired heating	
Insulation material	Polyurethane	
Insulation thickness	3.15"	
Outer tank thickness	0.079"	
Inter tank thickness	0.118"	
Cover thickness	0.118"	
Cone angle	140°	
Effective volume BBL	7	
Total volume BBL	9.5	

Lauter tank

Mash/kettle/whirlpool tank



Specification

Icon	Name	Connecting Style	Size
P	Hot water inlet	Clamp	ø1.5"
O	Chimney		ø6.24"
L	Steam outlet	Clamp	ø6.24"
K	Agitator		
J	Sieve plate		
I	Rake knife		
H	Vinasse door	Quick-open	ø16.8"*13"
G	Cleaning ball	Clamp	ø1.5"
F	Manhole door	Quick-open	ø15.75"
E	Temperature probe	Clamp	1/2"NPT
D	Adjusting bolt	Thread	M20
C	Supporting leg	Welding	ø4"
B	Check hole	Flange	ø13.78"
A	Burner interface	Flange	ø4"

Brewhouse Solutions LLC

7BBL Brewhouse			
		Assembly Diagram	