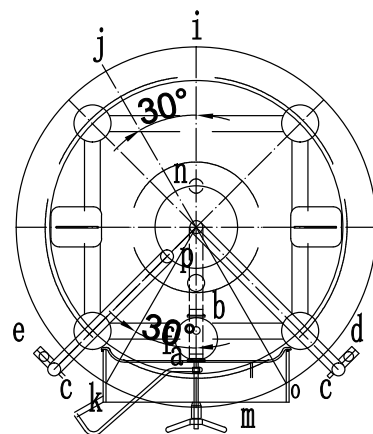
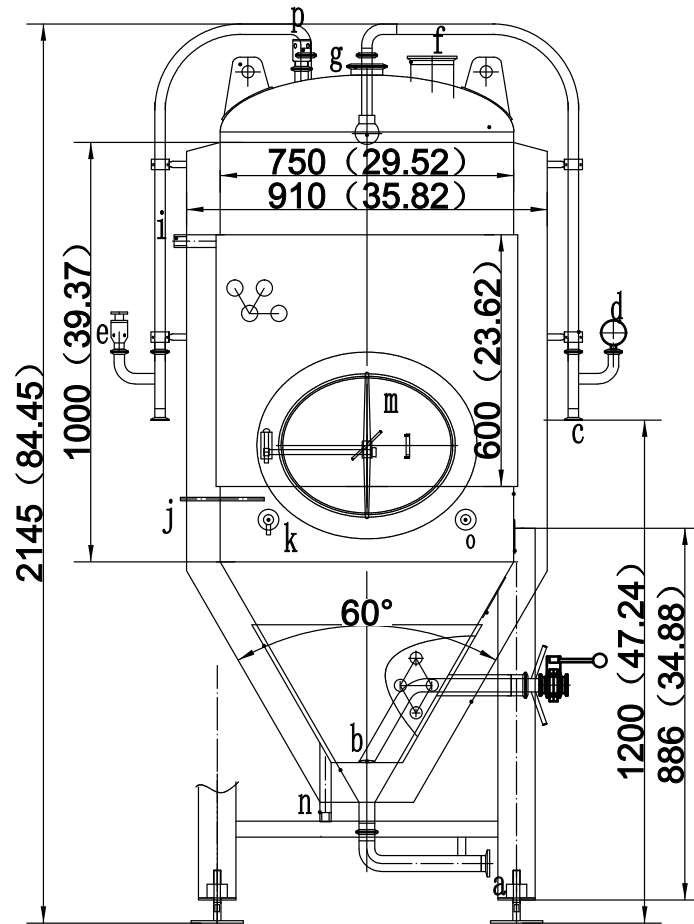


## Orifice table

Symbol	Nominal size	Connection mode	Use
a	Ø38	Clamp	Drainage port
b	Ø51	Clamp	Racking arm port
c	Ø38	Clamp	CIP outlet
d	Ø38	Clamp	Pressure gauge connection port
e	Ø38	Clamp	PRV connectoin port
f	Ø102	Clamp	Dry hops port
g	Ø102	Clamp	CIP connection port
h			
i	Ø32	Thread	Ice water outlet
j	Ø10	Thread	Temperature thermowell
k	Ø32	Clamp	Sampling valve
l			
m	430*330	quick-open	Manhole door
n	Ø32	Thread	Ice water inlet
o	Ø38	quick-open	Thermometer
p	Ø38	Clamp	Safety valve



### Productoin requirement

1. Effective volume: 3.5BBL;;Gross volume: 4.6BBL;
2. The tank bladder material 304L stainless steel, inner laye rplate thickness 3.0 mm,jacket plate thickness2.0 mm.
3. The inner surface polished to Ra<0.4um.Shell weld shall ensure that the internal level, weld shall be ground flush, can not have uneven edge and scratches.
4. Inside of equipment treat with Acid cleaning passivation.

3. 5BBL FV tank				
Design		Stage remark	Wight	scale
Check				
Audit				
Approve		Total page		