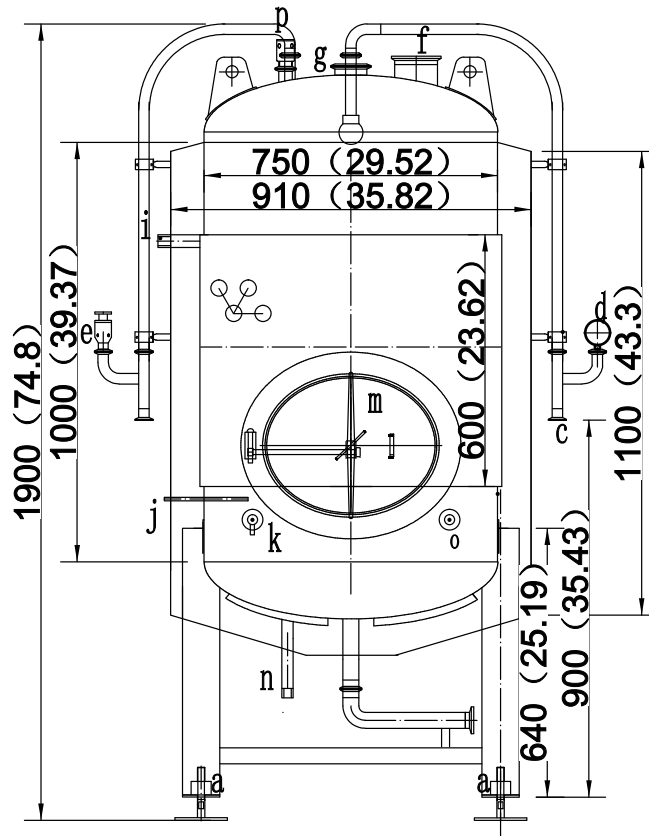


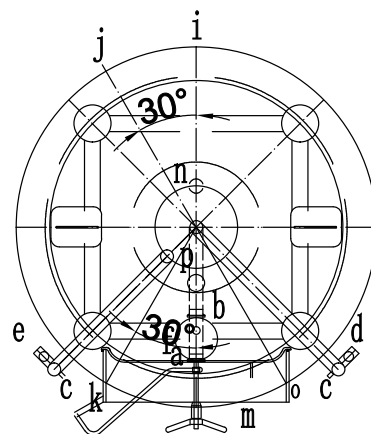
## Orifice table



| Symbol | Nominal size | Connection mode | Use                            |
|--------|--------------|-----------------|--------------------------------|
| a      | Ø38          | Clamp           | Drainage port                  |
| b      | Ø51          | Clamp           | Racking arm port               |
| c      | Ø38          | Clamp           | CIP outlet                     |
| d      | Ø38          | Clamp           | Pressure gauge connection port |
| e      | Ø38          | Clamp           | PRV connectoin port            |
| f      | Ø102         | Clamp           | Dry hops port                  |
| g      | Ø102         | Clamp           | CIP connection port            |
| h      |              |                 |                                |
| i      | Ø32          | Thread          | Ice water outlet               |
| j      | Ø10          | Thread          | Temperature thermowell         |
| k      | Ø32          | Clamp           | Sampling valve                 |
| l      |              |                 |                                |
| m      | 430*330      | quick-open      | Manhole door                   |
| n      | Ø32          | Thread          | Ice water inlet                |
| o      | Ø38          | quick-open      | Thermometer                    |
| p      | Ø38          | Clamp           | Safety valve                   |

### Productoin requirement

1. Effective volume: 3.5BBL;;Gross volume: 4.6BBL;
2. The tank bladder material 304L stainless steel, inner laye rplate thickness 3.0 mm,jacket plate thickness2.0 mm.
3. The inner surface polished to Ra<0.4um.Shell weld shall ensure that the internal level, weld shall be ground flush, can not have uneven edge and scratches.
4. Inside of equipment treat with Acid cleaning passivation.



| 3. 5BBL BBT tank |  |              |       |       |
|------------------|--|--------------|-------|-------|
| Design           |  | Stage remark | Wight | scale |
| Check            |  |              |       |       |
| Audit            |  |              |       |       |
| Approve          |  | Total page   |       |       |