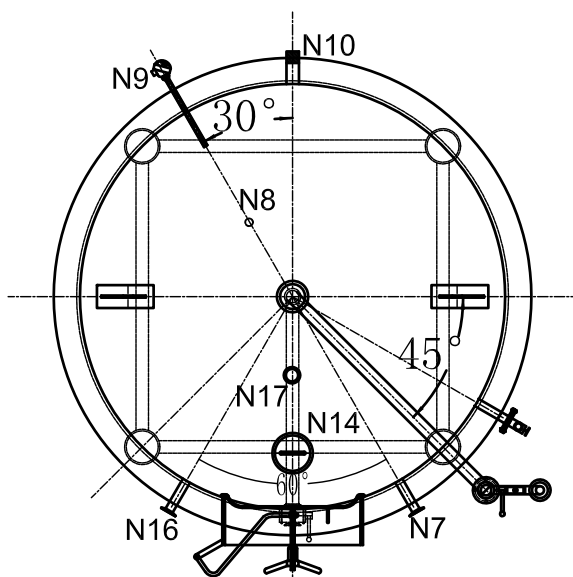
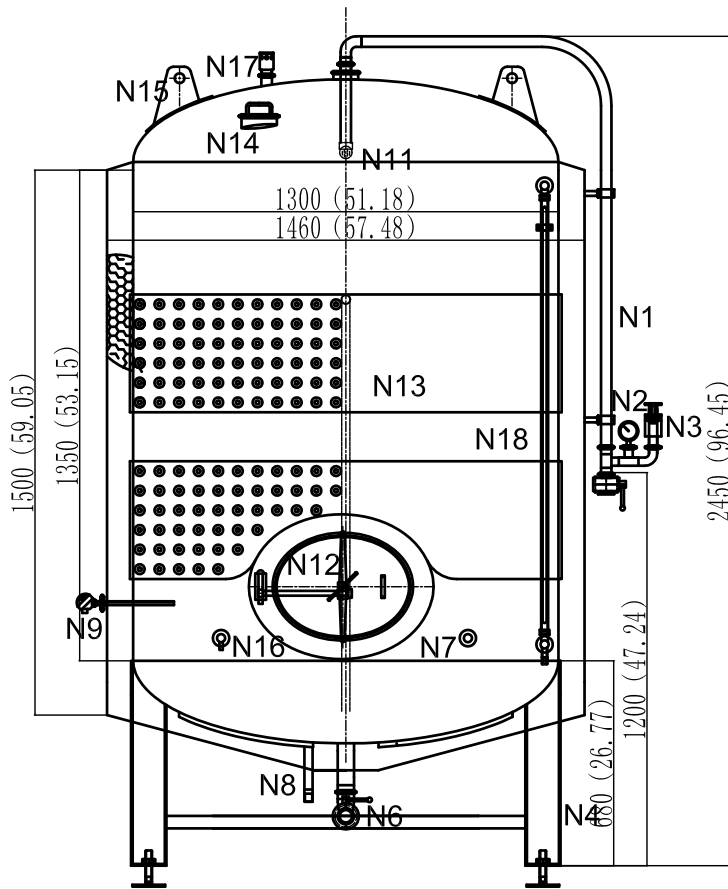


15BBL



Technical Specs

	Interior	Jacket
Material	SUS304	SUS304
Working pressure psi	21.8	29
Design pressure psi	43.5	58
Tank Size	ø57.5"*96.5"	
Quantity (Nos)	1	
Cooling mode	Glycol	
Insulation material	Polyurethane	
Insulation thickness	3.15"	
Outer tank thickness	0.079"	
Inter tank thickness	0.118"	
Cover thickness	0.118"	
Cone angle	150°	
Cylinder volume BBL	17	
Cover volume BBL	2.14	
Effective volume BBL	15	
Total volume BBL	19.14	

Specification

Icon	Size	Connecting style	Name
N18			Level gauge
N17	Ø1.5"	Clamp	Safety valve
N16	Ø1.5"	Clamp	Sampling valve
N15			Hoisting ring
N14	Ø4"	Clamp	Dry hops adding port
N13		Welding	Glycol jacket
N12	Ø22.8"*18.9"	Quick-open	Manhole door
N11	Ø1.5"	Clamp	Cleaning ball
N10	1 NPT	Thread	Glycol outlet
N9	½ NPT	Thread	Temperature probe
N8	1 NPT	Thread	Glycol inlet
N7	Ø1.5"	Clamp	Carbonation port
N6	Ø1.5"	Clamp	Drainage valve
N5	M20	Thread	Adjusting bolt
N4	Ø4"	Welding	Supporting leg
N3	Ø1.5"	Clamp	Pressure relief valve
N2	Ø1.5"	Clamp	Pressure gauge
N1	Ø1.5"	Clamp	CIP pipe

Brewhouse Solutions LLC

1500L BBT		Assembly Diagram		