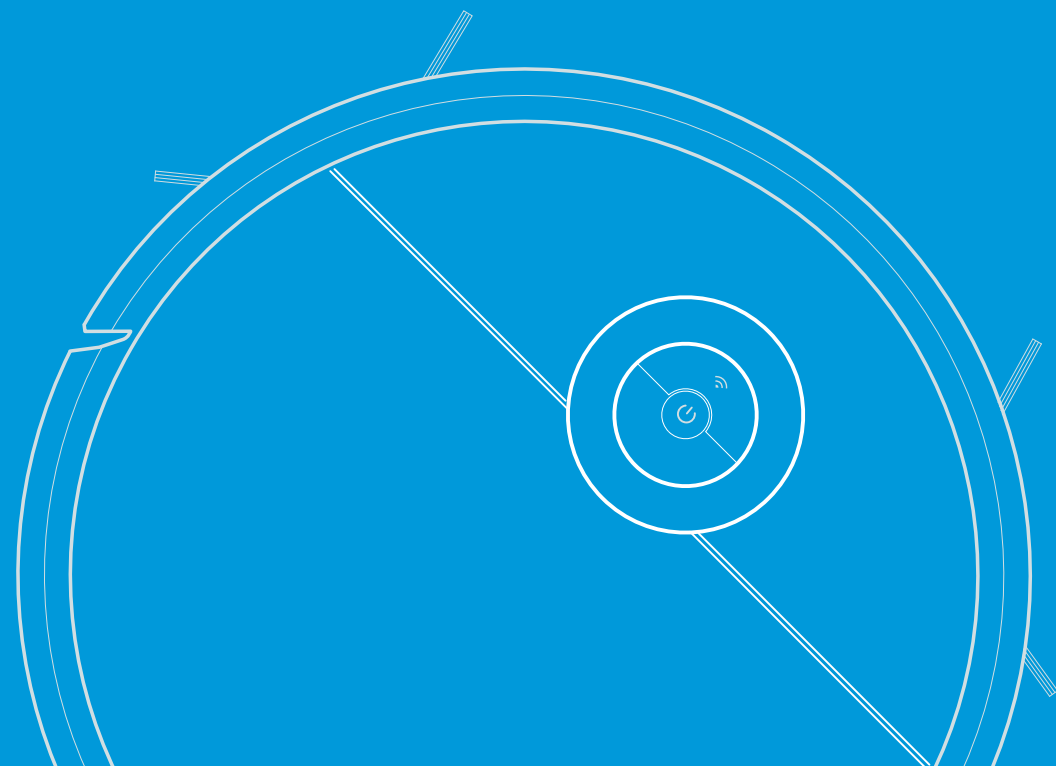


# APP

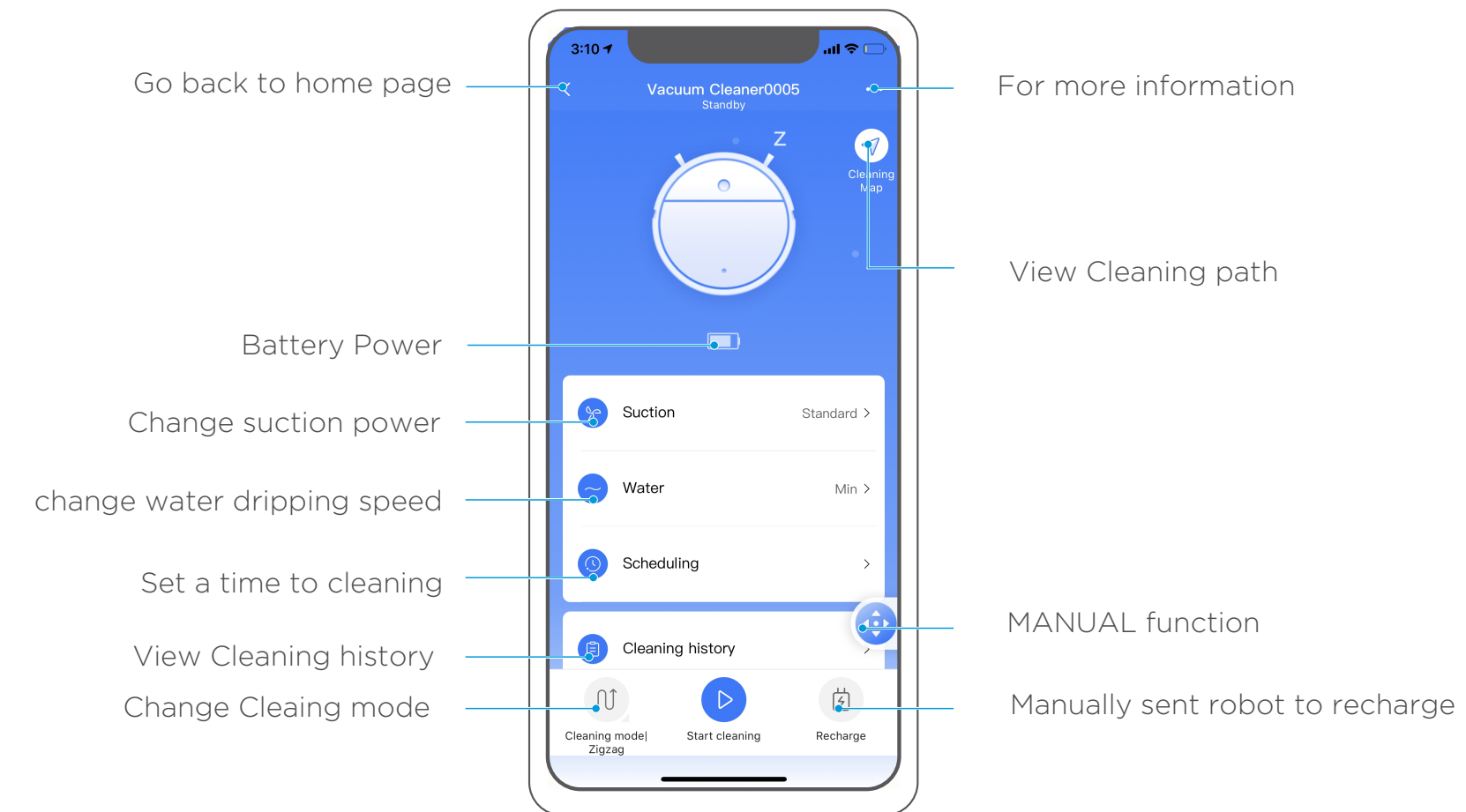


✓ iOS 8.0 or later ✓ Android 4.4 or later



VCR09

Quick Start Guide

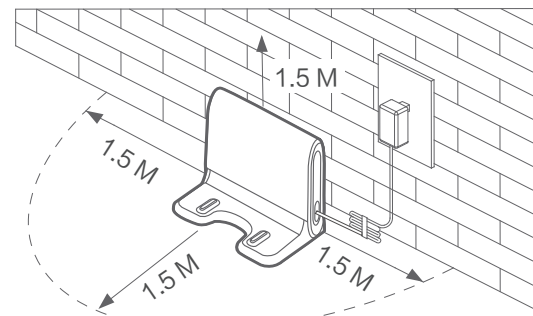


After matching appliance with your smart phone, you can achieve all functions by APP.

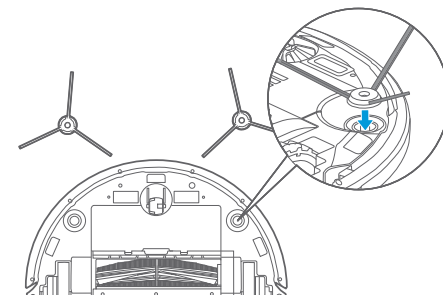
## Quick start guide

## First use

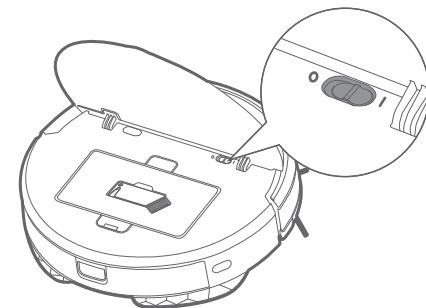
### Step 1



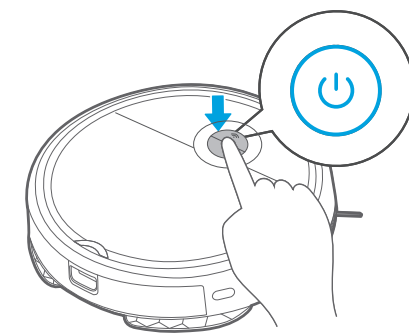
### Step 2



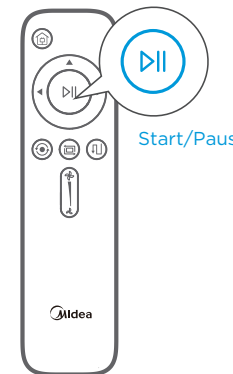
### Step 3



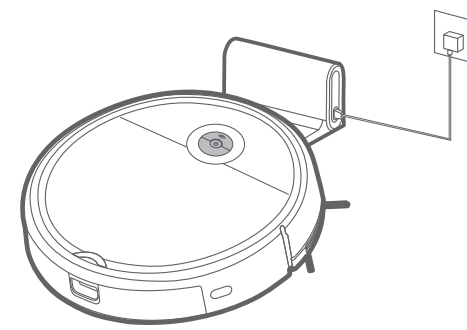
### Step 4



OR



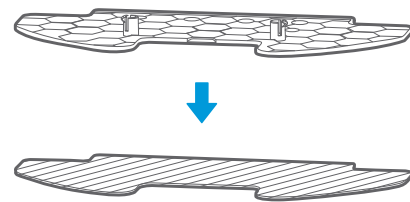
### Step 5



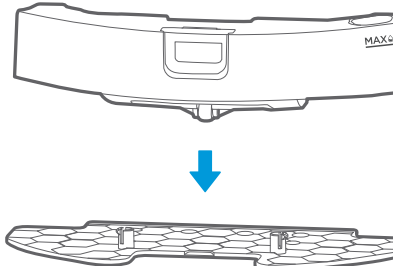
## Quick start guide

## For mopping system

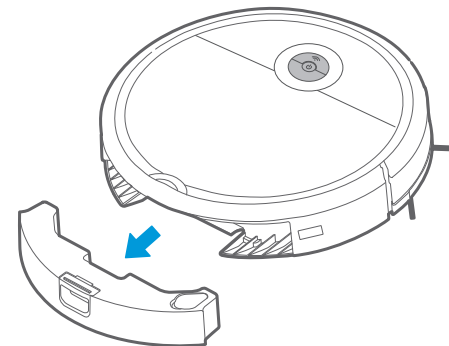
### 1 Attach the mop to the holder.



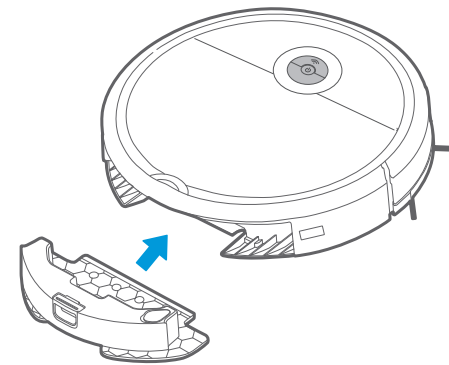
### 4 Mount the water tank onto the mop holder.



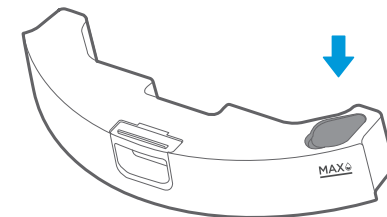
### 2 Press the button on tank and remove the tank.



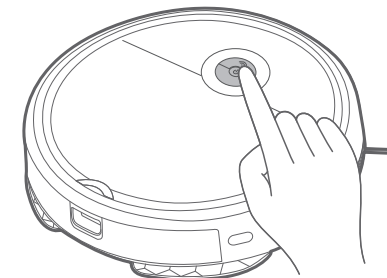
### 5 Then insert the water tank assembly into the appliance.



### 3 Fill the water.



### 6 Press “⏻” and start mopping.



## App quick guide

### Step 1

Scan the QR code and download the APP. Follow the instructions on the interface to register and login APP.



### Step 4

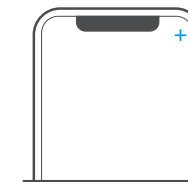
Once the network access is configured successfully, you can operate your cleaner by App.

### ⚠ Caution

Make sure your phone is connected to home WiFi.

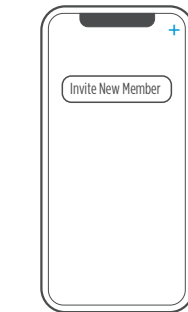
### Step 2

Click “+” key on the upper right corner of the interface and add the device from device list.



### Step 5

Click “+” key on the upper right corner of the interface and select “Invite New Member”. Follow the prompts on the mobile phone then you can invite your family members to control the smart cleaner together.



## Network access guide

### Step 3

a. make sure master switch is turned ON;  
b. short press button once to turn on the robot;  
c. long press button around 3 seconds and release after a tick sound is heard, and Wi-Fi indicator light is flickering;  
d. click “Next Step” on App and conduct network accessing config operation as per the prompts on the interface.

