

# Pulleys

Timing Pulley | Mi-Lock Pulley | V-Belt Pulley



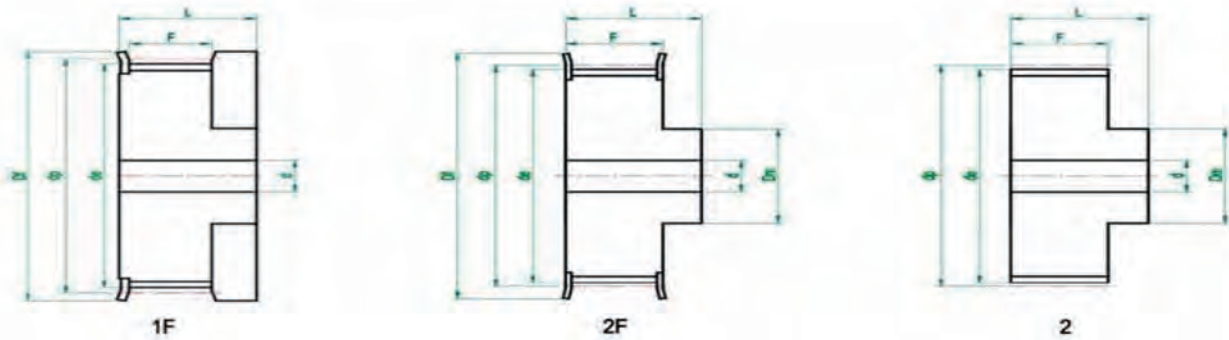


## PULLEYS

---

<b>HTD Timing Pulleys</b> .....	<b>172</b>
3M HTD Timing Pulley (Pilot Bore) .....	172
5M HTD Timing Pulley (Pilot Bore) .....	173
HTD Pulley Types (Taper Lock) .....	173
8M HTD Timing Pulley (Taper Lock) .....	176
14M HTD Timing Pulley (Taper Lock) .....	178
<b>Mi-Lock Pulley &amp; Bushes</b> .....	<b>180</b>
<b>V-Belt Pulleys</b> .....	<b>182</b>
Pulley Types (Taper Lock) .....	182
SPA V-Pulley (Taperlock) .....	183
SPB V-Pulley (taperlock) .....	187
SPC V-Pulley (taperlock) .....	191
SPZ Pulley (taper-lock) .....	194
<b>Aluminium V-Pulleys (Made in Australia)</b> .....	<b>196</b>

Finer Power Transmissions keeps a range of 3M and 5M HTD timing pulleys in Pilot Bore.



## 3M HTD Timing Pulley (Pilot Bore)

Part No.	Type	Material	Z	dp	de	Df	Dm	F	L	d	Flange	Approx KG
10-3M-9	1F	Al	10	9.55	8.79	13	12	10.2	17.5	-	100	0.01
10-3M-15	1F	Al	10	9.55	8.79	13	12	17	26	-	100	0.01
12-3M-9	1F	Al	12	11.46	10.7	15	15	10.2	17.5	-	101	0.01
12-3M-15	1F	Al	12	11.46	10.7	15	15	17	26	-	101	0.01
14-3M-9	1F	Al	14	13.37	12.61	16	16	10.2	17.5	-	102	0.01
14-3M-15	1F	Al	14	13.37	12.61	16	16	17	26	-	102	0.01
15-3M-9	1F	Al	15	14.32	13.56	18	17.5	10.2	17.5	-	104	0.01
15-3M-15	1F	Al	15	14.32	13.56	18	17.5	17	26	-	104	0.01
16-3M-9	2F	Al	16	15.28	14.52	18	10	12.8	20.6	4	104	0.01
16-3M-15	2F	Al	16	15.28	14.52	18	10	19.5	26	4	104	0.01
18-3M-9	2F	Al	18	17.19	16.43	19.5	11	12.8	20.6	6	105	0.01
18-3M-15	2F	Al	18	17.19	16.43	19.5	11	19.5	26	6	105	0.01
20-3M-9	2F	Al	20	19.1	18.34	23	13	12.8	20.6	6	107	0.01
20-3M-15	2F	Al	20	19.1	18.34	23	13	19.5	26	6	107	0.01
21-3M-9	2F	Al	21	20.05	19.29	25	14	12.8	20.6	6	108	0.01
21-3M-15	2F	Al	21	20.05	19.29	25	14	19.5	26	6	108	0.02
22-3M-9	2F	Al	22	21.01	20.25	25	14	12.8	20.6	6	108	0.01
22-3M-15	2F	Al	22	21.01	20.25	25	14	19.5	26	6	108	0.02
26-3M-9	2F	Al	26	24.83	24.07	32	16	12.8	20.6	6	109	0.02
26-3M-15	2F	Al	26	24.83	24.07	32	16	19.5	26	6	109	0.03
32-3M-9	2F	Al	32	30.56	29.8	36	22	12.8	20.6	6	111	0.03
32-3M-15	2F	Al	32	30.56	29.8	36	22	19.5	26	6	111	0.03

## 3M HTD Timing Pulley (Pilot Bore)

Part No.	Type	Material	Z	dp	de	Df	Dm	F	L	d	Flange	Approx KG
36-3M-9	2F	Al	36	34.38	33.62	38	26	13.4	22.2	6	112	0.05
36-3M-15	2F	Al	36	34.38	33.62	38	26	19.5	30	6	112	0.06
40-3M-9	2F	Al	40	38.2	37.44	42	28	13.4	22.2	6	113	0.06
40-3M-15	2F	Al	40	38.2	37.44	42	28	20	30	6	113	0.08
44-3M-9	2F	Al	44	42.02	41.26	48	33	13.4	22.2	6	114	0.07
44-3M-15	2F	Al	44	42.02	41.26	48	33	20	30	6	114	0.1
48-3M-9	2	Al	48	45.84	45.08	-	33	13.4	22.2	8	-	0.11
48-3M-15	2	Al	48	45.84	45.08	-	33	20	30	8	-	0.1
60-3M-9	2	Al	60	57.3	56.54	-	33	13.4	22.2	8	-	0.11
60-3M-15	2	Al	60	57.3	56.54	-	33	20	30	8	-	0.15
72-3M-9	2	Al	72	68.76	68.76	-	33	13.4	22.2	8	-	0.15
72-3M-15	2	Al	72	68.76	68.76	-	33	20	30	8	-	0.21

## 5M HTD Timing Pulley (Pilot Bore)

Part No.	Type	Material	Z	dp	de	Df	Dm	F	L	d	Flange	Approx KG
12-5M-9PB	2F	St	12	19.1	17.96	23	12.5	14.5	20	6	202	0.03
12-5M-15PB	2F	St	12	19.1	17.96	23	12.5	20.5	26	6	202	0.03
12-5M-25PB	2F	St	12	19.1	17.96	23	12.5	30.5	36	6	202	0.05
14-5M-9PB	2F	St	14	22.28	21.14	25	13.5	14.5	20	6	203	0.04
14-5M-15PB	2F	St	14	22.28	21.14	25	13.5	20.5	26	6	203	0.04
14-5M-25PB	2F	St	14	22.28	21.14	25	13.5	30.5	36	6	203	0.08
15-5M-9PB	2F	St	15	23.87	22.73	28	16	14.5	20	6	204	0.05
15-5M-15PB	2F	St	15	23.87	22.73	28	16	20.5	26	6	204	0.05
15-5M-25PB	2F	St	15	23.87	22.73	28	16	30.5	36	6	204	0.09
16-5M-9PB	2F	St	16	25.46	24.32	28	16.5	14.5	20	6	204	0.06
16-5M-15PB	2F	St	16	25.46	24.32	28	16.5	20.5	26	6	204	0.06
16-5M-25PB	2F	St	16	25.46	24.32	28	16.5	30.5	36	6	204	0.11
18-5M-9PB	2F	St	18	28.65	27.51	32	20	14.5	20	6	205	0.07
18-5M-15PB	2F	St	18	28.65	27.51	32	20	20.5	26	6	205	0.09
18-5M-25PB	2F	St	18	28.65	27.51	32	20	30.5	36	6	205	0.13
20-5M-9PB	2F	St	20	31.83	30.69	36	23	14.5	22.5	6	206	0.1
20-5M-15PB	2F	St	20	31.83	30.69	36	23	20.5	26	6	206	0.12
20-5M-25PB	2F	St	20	31.83	30.69	36	23	30.5	38	6	206	0.17
21-5M-9PB	2F	St	21	33.42	32.28	38	24	14.5	22.5	6	207	0.12
21-5M-15PB	2F	St	21	33.42	32.28	38	24	20.5	26	6	207	0.14
21-5M-25PB	2F	St	21	33.42	32.28	38	24	30.5	38	6	207	0.2

## 5M HTD Timing Pulley (Pilot Bore)

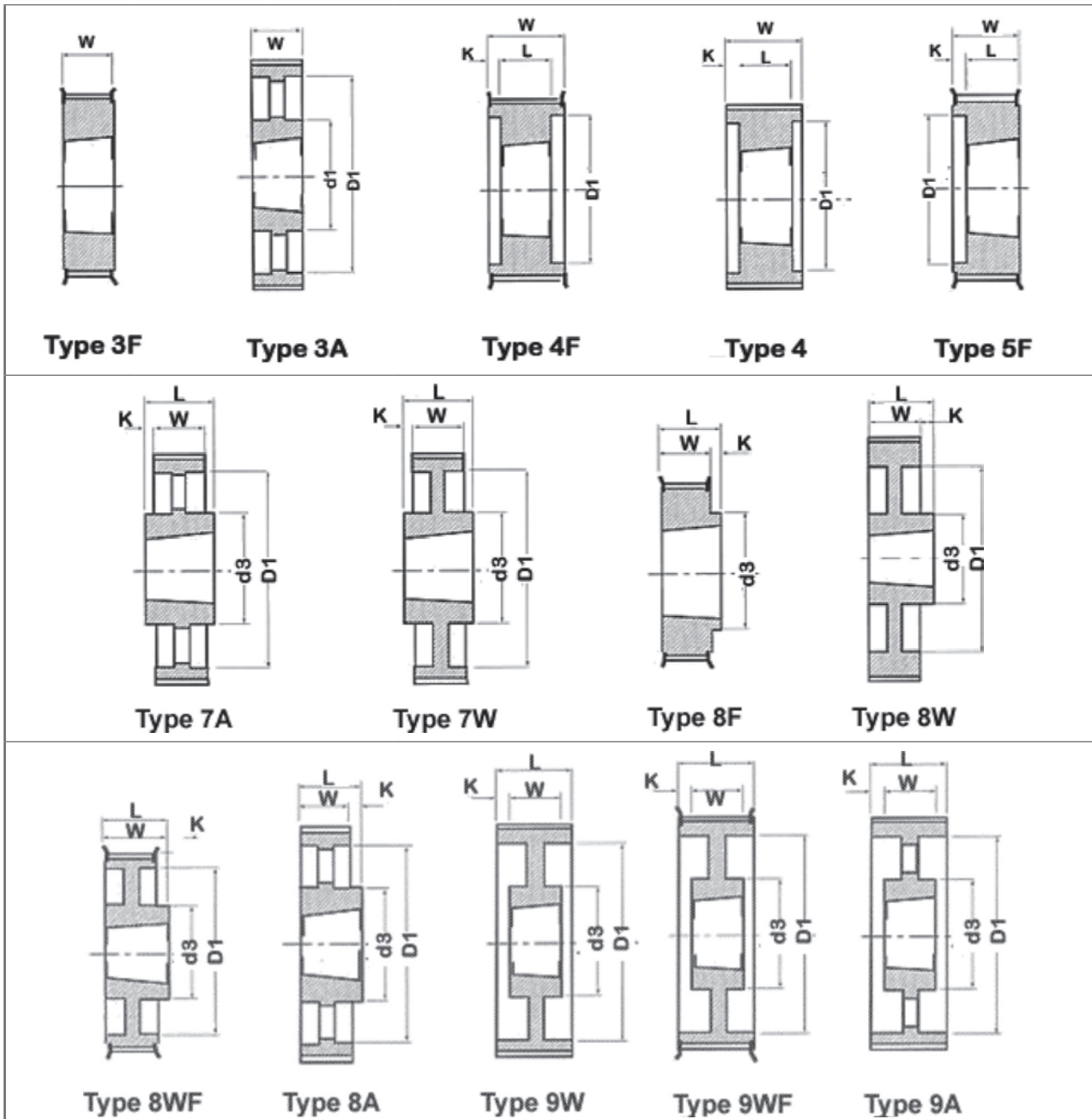
Part No.	Type	Material	Z	dp	de	Df	Dm	F	L	d	Flange	Approx KG
22-5M-9PB	2F	St	22	35.01	33.87	38	25.5	14.5	22.5	6	207	0.13
22-5M-15PB	2F	St	22	35.01	33.87	38	25.5	20.5	26	6	207	0.15
22-5M-25PB	2F	St	22	35.01	33.87	38	25.5	30.5	38	6	207	0.22
24-5M-9PB	2F	St	24	38.2	37.06	42	27	14.5	22.5	6	208	0.15
24-5M-15PB	2F	St	24	38.2	37.06	42	27	20.5	26	6	208	0.19
24-5M-25PB	2F	St	24	38.2	37.06	42	27	30.5	38	6	208	0.26
26-5M-9PB	2F	St	26	41.38	40.24	44	30	14.5	22.5	6	209	0.18
26-5M-15PB	2F	St	26	41.38	40.24	44	30	20.5	28	6	209	0.23
26-5M-25PB	2F	St	26	41.38	40.24	44	30	30.5	38	6	209	0.32
28-5M-9PB	2F	St	28	44.56	43.42	48	30.5	14.5	22.5	6	210	0.21
28-5M-15PB	2F	St	28	44.56	43.42	48	30.5	20.5	28	6	210	0.26
28-5M-25PB	2F	St	28	44.56	43.42	48	30.5	30.5	38	6	210	0.37
30-5M-9PB	2F	St	30	47.75	46.6	51	35	14.5	22.5	6	211	0.25
30-5M-15PB	2F	St	30	47.75	46.6	51	35	20.5	28	6	211	0.32
30-5M-25PB	2F	St	30	47.75	46.6	51	35	30.5	38	6	211	0.44
32-5M-9PB	2F	St	32	50.93	49.79	54	38	14.5	22.5	8	212	0.28
32-5M-15PB	2F	St	32	50.93	49.79	54	38	20.5	28	8	212	0.35
32-5M-25PB	2F	St	32	50.93	49.79	54	38	30.5	38	8	212	0.48
36-5M-9PB	2F	St	36	57.3	56.16	60	38	14.5	22.5	8	214	0.33
36-5M-15PB	2F	St	36	57.3	56.16	60	38	20.5	28	8	214	0.43
36-5M-25PB	2F	St	36	57.3	56.16	60	38	30.5	38	8	214	0.59
40-5M-9PB	2F	St	40	63.66	62.52	71	38	14.5	22.5	8	217	0.42
40-5M-15PB	2F	St	40	63.66	62.52	71	38	20.5	28	8	217	0.52
40-5M-25PB	2F	St	40	63.66	62.52	71	38	30.5	38	8	217	0.75
44-5M-9PB	2	Al	44	70.03	68.89	-	38	14.5	25.5	8	-	0.17
44-5M-15PB	2	Al	44	70.03	68.89	-	38	20.5	30	8	-	0.23
44-5M-25PB	2	Al	44	70.03	68.89	-	38	30.5	40	8	-	0.32
48-5M-9PB	2	Al	48	76.39	75.25	-	45	14.5	25.5	8	-	0.18
48-5M-15PB	2	Al	48	76.39	75.25	-	38	20.5	30	8	-	0.29
48-5M-25PB	2	Al	48	76.39	75.25	-	38	30.5	40	8	-	0.28
60-5M-9PB	2	Al	60	95.49	94.35	-	45	14.5	25.5	8	-	0.23
60-5M-15PB	2	Al	60	95.49	94.35	-	50	20.5	30	8	-	0.3
60-5M-25PB	2	Al	60	95.49	94.35	-	50	30.5	40	8	-	0.44
72-5M-9PB	2	Al	72	114.59	113.45	-	45	14.5	25.5	8	-	0.42
72-5M-15PB	2	Al	72	114.59	113.45	-	50	20.5	30	8	-	0.59
72-5M-25PB	2	Al	72	114.59	113.45	-	50	30.5	40	8	-	0.85

"Why compete against your supplier when you can be our partner"

Finer Power Transmissions carries a large range of Taper Locked, HTD Timing Pulley's in 8M and 14M pitch.

Timing Pulleys are measured by:

38	8M	50
Teeth	Pitch	Width



## 8M HTD Timing Pulley (Taper Lock)

Size	Z	Type	Mat	Bush	Outside Dia.	Hub Dia.	K	W	L	d3	D1	Max. Bore
22-8M-20	22	-	GG	1008/1108	54.65	60.0	-	28.0	-	-	-	25
22-8M-30	22	-	GG	1008/1108	54.65	60.0	-	38.0	-	-	-	25
24-8M-20	24	-	GG	1108	59.75	66.0	-	28.0	-	-	-	28
24-8M-30	24	-	GG	1108	59.75	66.0	-	38.0	-	-	-	28
26-8M-20	26	-	GG	1108	64.84	71.0	-	28.0	-	-	-	28
26-8M-30	26	-	GG	1108	64.84	71.0	-	38.0	-	-	-	28
28-8M-20	28	-	GG	1108	70.08	75.0	-	28.0	-	-	-	28
28-8M-30	28	-	GG	1210	70.08	75.0	-	38.0	-	-	-	35
28-8M-50	28	-	GG	1210	70.08	75.0	-	60.0	-	-	-	35
30-8M-20	30	-	GG	1108	75.13	83.0	-	28.0	-	-	-	28
30-8M-30	30	-	GG	1615	75.13	83.0	-	38.0	-	-	-	42
30-8M-50	30	-	GG	1615	75.13	83.0	-	60.0	-	-	-	42
32-8M-20	32	-	GG	1610	80.16	87.0	-	28.0	-	-	-	42
32-8M-30	32	-	GG	1615	80.16	87.0	-	38.0	-	-	-	42
32-8M-50	32	-	GG	1615	80.16	87.0	-	60.0	-	-	-	42
34-8M-20	34	-	GG	1610	85.22	91.0	-	28.0	-	-	-	42
34-8M-30	34	-	GG	1610	85.22	91.0	-	28.0	-	-	-	42
34-8M-50	34	-	GG	1615	85.22	91.0	-	60.0	-	-	-	42
34-8M-85	34	-	GG	1615	85.22	91.0	-	95.0	-	-	-	42
36-8M-20	36	-	GG	1610	90.30	98.5	-	28.0	-	-	-	42
36-8M-30	36	-	GG	1615	90.30	98.5	-	38.0	-	-	-	42
36-8M-50	36	-	GG	1615	95.39	103.0	-	60.0	-	-	-	42
36-8M-85	36	-	GG	1615	90.35	98.5	-	95.0	-	-	-	42
38-8M-20	38	-	GG	1610	95.39	103.0	-	28.0	-	-	-	42
38-8M-30	38	-	GG	1615	95.39	103.0	-	38.0	-	-	-	42
38-8M-50	38	-	GG	1615	95.39	103.0	-	60.0	-	-	-	42
38-8M-85	38	-	GG	1615	95.39	103.0	-	95.0	-	-	-	42
40-8M-20	40	-	GG	1610	100.49	106.0	-	28.0	-	-	-	42
40-8M-30	40	-	GG	1615	100.49	106.0	-	38.0	-	-	-	42
40-8M-50	40	-	GG	2012	100.49	106.0	-	60.0	-	-	-	50
40-8M-85	40	-	GG	2012	100.49	106.0	-	95.0	-	-	-	50
44-8M-20	44	-	GG	2012	110.67	119.0	-	28.0	-	-	-	50
44-8M-30	44	-	GG	2012	110.67	119.0	-	38.0	-	-	-	50
44-8M-50	44	-	GG	2012	110.67	119.0	-	60.0	-	-	-	50
44-8M-85	44	-	GG	2012	110.67	119.0	-	95.9	-	-	-	50



## 8M HTD Timing Pulley (Taper Lock) continued

Size	Z	Type	Mat	Bush	Outside Dia.	Hub Dia.	K	W	L	d3	D1	Max. Bore
48-8M-20	48	-	GG	2012	120.86	127.0	-	28.0	-	96	-	50
48-8M-30	48	-	GG	2012	120.86	127.0	-	38.0	-	-	-	50
48-8M-50	48	-	GG	2012	120.86	127.0	-	60.0	-	-	-	50
48-8M-85	48	-	GG	2517	120.86	127.0	-	95.0	-	-	-	60
56-8M-20	56	-	GG	2012	141.23	148.0	-	28.0	-	110	-	50
56-8M-30	56	-	GG	2012	141.23	148.0	-	38.0	-	-	-	50
56-8M-50	56	-	GG	2517	141.23	148.0	-	60.0	-	-	-	60
56-8M-85	56	-	GG	2517	120.86	127.0	-	95.0	-	-	-	60
64-8M-20	64	-	GG	2012	161.60	168.0	-	28.0	-	110	-	50
64-8M-30	64	-	GG	2517	161.60	168.0	-	38.0	-	125	-	60
64-8M-50	64	-	GG	2517	161.60	168.0	-	60.0	-	-	-	60
64-8M-85	64	-	GG	2517	161.60	168.0	-	95.0	-	-	-	60
72-8M-20	72	-	GG	2012	181.97	192.0	-	28.0	-	110	-	50
72-8M-30	72	-	GG	2517	181.97	192.0	-	38.0	-	125	-	60
72-8M-50	72	-	GG	2517	181.97	192.0	-	60.0	-	125	-	60
72-8M-85	72	-	GG	3020	181.97	192.0	-	95.0	-	-	-	75
80-8M-20	80	-	GG	2012	202.35	-	-	28.0	-	110	-	50
80-8M-30	80	-	GG	2517	202.35	-	-	38.0	-	125	-	60
80-8M-50	80	-	GG	3020	202.35	-	-	60.0	-	-	-	75
80-8M-85	80	-	GG	3020	202.35	-	-	95.0	-	-	-	75
90-8M-20	90	-	GG	2012	227.81	-	-	28.0	-	110	-	50
90-8M-30	90	-	GG	2517	227.81	-	-	38.0	-	125	-	60
90-8M-50	90	-	GG	3020	227.81	-	-	60.0	-	170	-	75
90-8M-85	90	-	GG	3020	227.81	-	-	95.0	-	170	-	75
112-8M-30	112	-	GG	2517	283.83	-	-	38.0	-	125	-	60
112-8M-50	112	-	GG	3020	283.83	-	-	60.0	-	170	-	75
112-8M-85	112	-	GG	3020	283.83	-	-	95.0	-	170	-	75
144-8M-30	144	-	GG	2517	365.32	-	-	38.0	-	125	-	60
144-8M-50	144	-	GG	3020	365.32	-	-	60.0	-	170	-	75
144-8M-85	144	-	GG	3525	365.32	-	-	95.0	-	190	-	90
168-8M-50	168	-	GG	3525	426.44	-	-	60.0	-	190	-	90
168-8M-85	168	-	GG	3525	426.44	-	-	95.0	-	190	-	90
192-8M-50	192	-	GG	3525	487.55	-	-	60.0	-	190	-	90
192-8M-85	192	-	GG	3525	487.55	-	-	95.0	-	190	-	90

## 14M HTD Timing Pulley (Taper Lock)

Size	Z	Type	Mat	Bush	Outside Dia.	Hub Dia.	K	W	L	d3	D1	Max. Bore
28-14M-40	28	-	GG	2012	122.12	127	-	54	-	-	-	50
28-14M-55	28	-	GG	2012	122.12	127	-	70	-	-	-	50
28-14M-85	28	-	GG	2517	122.12	127	-	102	-	-	-	60
28-14M-115	28	-	GG	2517	122.12	127	-	133	-	-	-	60
29-14M-40	29	-	GG	2012	126.57	138	-	54	-	-	-	50
29-14M-55	29	-	GG	2012	126.57	138	-	70	-	-	-	50
29-14M-85	29	-	GG	2517	126.57	138	-	102	-	-	-	60
29-14M-115	29	-	GG	2517	126.57	138	-	133	-	-	-	60
30-14M-40	30	-	GG	2012	130.99	138	-	54	-	-	-	50
30-14M-55	30	-	GG	2517	130.99	138	-	70	-	-	-	60
30-14M-85	30	-	GG	2517	130.99	138	-	102	-	-	-	60
30-14M-115	30	-	GG	2517	130.99	138	-	133	-	-	-	60
32-14M-40	32	-	GG	2012	139.88	154	-	54	-	-	-	50
32-14M-55	32	-	GG	2517	139.88	154	-	70	-	-	-	60
32-14M-85	32	-	GG	2517	139.88	154	-	102	-	-	-	60
32-14M-115	32	-	GG	2517	139.88	154	-	133	-	-	-	60
34-14M-40	34	-	GG	2517	148.79	160	-	54	-	-	-	60
34-14M-55	34	-	GG	2517	146.79	160	-	70	-	-	-	60
34-14M-85	34	-	GG	2517	146.79	160	-	102	-	-	-	60
34-14M-115	34	-	GG	2517	146.79	160	-	133	-	-	-	60
36-14M-40	36	-	GG	2517	157.68	168	-	54	-	-	-	60
36-14M-55	36	-	GG	2517	157.68	168	-	70	-	-	-	60
36-14M-85	36	-	GG	3020	157.68	168	-	102	-	-	-	75
36-14M-115	36	-	GG	3020	157.68	168	-	133	-	-	-	75
38-14M-40	38	-	GG	2517	166.6	183	-	54	-	-	-	60
38-14M-55	38	-	GG	2517	166.6	183	-	70	-	-	-	60
38-14M-85	38	-	GG	3020	166.6	183	-	102	-	-	-	75
38-14M-115	38	-	GG	3020	166.6	183	-	133	-	-	-	75
40-14M-40	40	-	GG	2517	175.49	188	-	54	-	-	-	60
40-14M-55	40	-	GG	2517	175.49	188	-	70	-	-	-	60
40-14M-85	40	-	GG	3020	175.49	188	-	102	-	-	-	75
40-14M-115	40	-	GG	3020	175.49	188	-	133	-	-	-	75
44-14M-40	44	-	GG	3020	193.28	211	-	54	-	-	-	75
44-14M-55	44	-	GG	3020	293.28	211	-	70	-	-	-	75
44-14M-85	44	-	GG	3030	293.28	211	-	102	-	-	-	75
44-14M-115	44	-	GG	3030	293.28	211	-	133	-	-	-	75
48-14M-40	48	-	GG	3020	211.11	226	-	54	-	-	-	75
48-14M-55	48	-	GG	3020	211.11	226	-	70	-	-	-	75
48-14M-85	48	-	GG	3030	211.11	226	-	102	-	-	-	75
48-14M-115	48	-	GG	3030	211.11	226	-	133	-	-	-	75

## 14M HTD Timing Pulley (Taper Lock) continued

Size	Z	Type	Mat	Bush	Outside Dia.	Hub Dia.	K	W	L	d3	D1	Max. Bore
56-14M-40	56	-	GG	3020	246.76	256	-	54	-	170	-	75
56-14M-55	56	-	GG	3020	246.76	256	-	70	-	170	-	75
56-14M-85	56	-	GG	3535	246.76	256	-	102	-	190	-	90
56-14M-115	56	-	GG	3535	246.76	256	-	133	-	-	-	90
64-14M-40	64	-	GG	3020	282.41	296	-	54	-	170	-	75
64-14M-55	64	-	GG	3020	282.41	296	-	70	-	170	-	75
64-14M-85	64	-	GG	3525	282.41	296	-	102	-	190	-	90
64-14M-115	64	-	GG	3535	282.41	296	-	133	-	190	-	90
72-14M-40	72	-	GG	3020	318.06	-	-	54	-	170	-	75
72-14M-55	72	-	GG	3020	318.06	-	-	70	-	170	-	75
72-14M-85	72	-	GG	3535	318.06	-	-	102	-	190	-	90
72-14M-115	72	-	GG	3535	318.06	-	-	133	-	190	-	90
80-14M-40	80	-	GG	3535	353.71	-	-	133	-	190	-	90
80-14M-55	80	-	GG	3020	353.71	-	-	70	-	170	-	75
80-14M-85	80	-	GG	3525	353.71	-	-	102	-	190	-	90
80-14M-115	80	-	GG	3535	353.71	-	-	133	-	190	-	90
90-14M-40	90	-	GG	3020	398.28	-	-	54	-	170	-	75
90-14M-55	90	-	GG	3020	398.28	-	-	70	-	170	-	75
90-14M-85	90	-	GG	3525	398.28	-	-	102	-	190	-	90
90-14M-115	90	-	GG	3535	398.28	-	-	133	-	190	-	90
112-14M-40	112	-	GG	3020	496.32	-	-	54	-	170	-	75
112-14M-55	112	-	GG	3020	496.32	-	-	70	-	170	-	75
112-14M-85	112	-	GG	3525	496.32	-	-	70	-	170	-	75
112-14M-115	112	-	GG	3535	496.32	-	-	133	-	190	-	90
144-14M-40	144	-	GG	3020	638.92	-	-	54	-	170	-	75
144-14M-55	144	-	GG	3020	638.92	-	-	70	-	170	-	75
144-14M-85	144	-	GG	3535	638.92	-	-	102	-	190	-	90
144-14M-115	144	-	GG	4040	638.92	-	-	133	-	230	-	100
168-14M-40	168	-	GG	3020	745.87	-	-	54	-	170	-	75
168-14M-55	168	-	GG	3020	745.87	-	-	70	-	170	-	75
168-14M-85	168	-	GG	3525	745.87	-	-	102	-	190	-	90
168-14M-115	168	-	GG	4040	745.87	-	-	133	-	230	-	100
192-14M-40	192	-	GG	3020	852.82	-	-	54	-	170	-	75
192-14M-55	192	-	GG	3020	852.82	-	-	70	-	170	-	75
192-14M-85	192	-	GG	4040	852.82	-	-	102	-	230	-	100
192-14M-115	192	-	GG	4040	852.82	-	-	133	-	230	-	100
216-14M-40	216	-	GG	3020	959.76	-	-	54	-	170	-	75
216-14M-55	216	-	GG	3535	959.76	-	-	-	-	-	-	-
216-14M-85	216	-	GG	4040	959.76	-	-	102	-	230	-	100
216-14M-115	216	-	GG	4040	959.76	-	-	133	-	230	-	100

Constructed from cast iron, this range of Mi-Lock pulleys can handle both A and B section belts (NB. Pitch circle sizing is based on PCD of A section).

Mi-Lock pulleys can be put together to make multi-groove pulleys of varying sections and sizes which allow you to reduce your total inventory.

## MI-LOCK V-PULLEYS

Finer Part	Pulley Size Pitch A	Pulley Size Pitch B	Outside Diameter	Mass Kg	Suitable Bush & Size
71MM-MI-LOCK	71MM	81MM	88MM	0.42	No 1
75MM-MI-LOCK	75MM	85MM	92MM	0.47	No 1
80MM-MI-LOCK	80MM	90MM	97MM	0.53	No 1
85MM-MI-LOCK	85MM	95MM	102MM	0.62	No 1
90MM-MI-LOCK	90MM	100MM	107MM	0.72	No 1
95MM-MI-LOCK	95MM	105MM	111MM	0.80	No 1
100MM-MI-LOCK	100MM	110MM	117MM	0.91	No 1
106MM-MI-LOCK	106MM	116MM	123MM	1.02	No 1
112MM-MI-LOCK	112MM	122MM	129MM	0.98	No 1
118MM-MI-LOCK	118MM	128MM	135MM	1.05	No 1
125MM-MI-LOCK	125MM	135MM	142MM	1.17	No 1
132MM-MI-LOCK	132MM	142MM	149MM	1.28	No 1
140MM-MI-LOCK	140MM	150MM	157MM	1.49	No 2
150MM-MI-LOCK	150MM	160MM	167MM	1.61	No 2
160MM-MI-LOCK	160MM	170MM	177MM	1.75	No 2
180MM-MI-LOCK	180MM	190MM	197MM	2.03	No 2
200MM-MI-LOCK	200MM	209MM	216MM	2.38	No 2
224MM-MI-LOCK	224MM	233MM	240MM	3.34	No 2
250MM-MI-LOCK	250MM	259MM	266MM	4.22	No 2
280MM-MI-LOCK	280MM	289MM	296MM	4.34	No 2
315MM-MI-LOCK	315MM	324MM	331MM	4.45	No 2
355MM-MI-LOCK	355MM	364MM	371MM	4.94	No 2
400MM-MI-LOCK	400MM	409MM	416MM	7.51	No 2
450MM-MI-LOCK	450MM	459MM	466MM	9.05	No 2

## MI-LOCK No 1 Bushes

Bore Size	
Metric	Imperial
10mm	3/8"
12mm	7/16"
14mm	1/2"
15mm	9/16"
16mm	5/8"
18mm	11/16"
19mm	3/4"
20mm	13/16"
22mm	7/8"
24mm	15/16"
25mm	1"
28mm	1-1/16"
	1-1/8"

## MI-LOCK No 2 Bushes

Bore Size			
Metric		Imperial	
16mm	32mm	1/2"	1-1/8"
18mm	35mm	9/16"	1-1/16"
19mm	38mm	5/8"	1-3/16"
20mm	40mm	11/16"	1-1/4"
22mm	42mm	3/4"	1-5/16"
24mm		13/16"	1-3/8"
25mm		7/8"	1-7/16"
28mm		15/16"	1-1/2"
30mm		1"	1-9/16"

"Why compete against your supplier when you can be our partner"

Finer stock a range of quality V-Belt Pulleys. Constructed from cast iron, each pulley is Taper Locked to accommodate a range of shaft sizes.

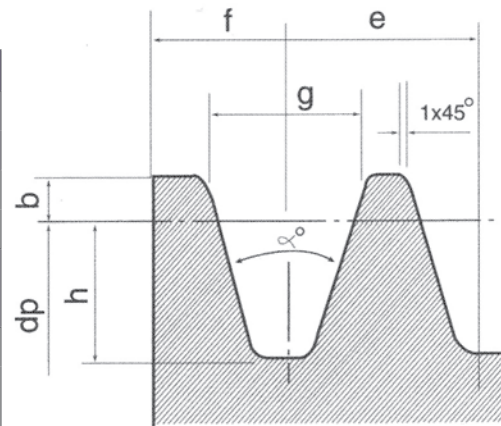
Finer pulleys under go stringent balancing tests, to ensure each pulley functions efficiently. The pulleys are finished in a black coating; this acts as a primer to help protect the pulleys from environmental factors.

**Finer Power Transmissions carry a range of Taper Lock V-Belt Pulleys in:**

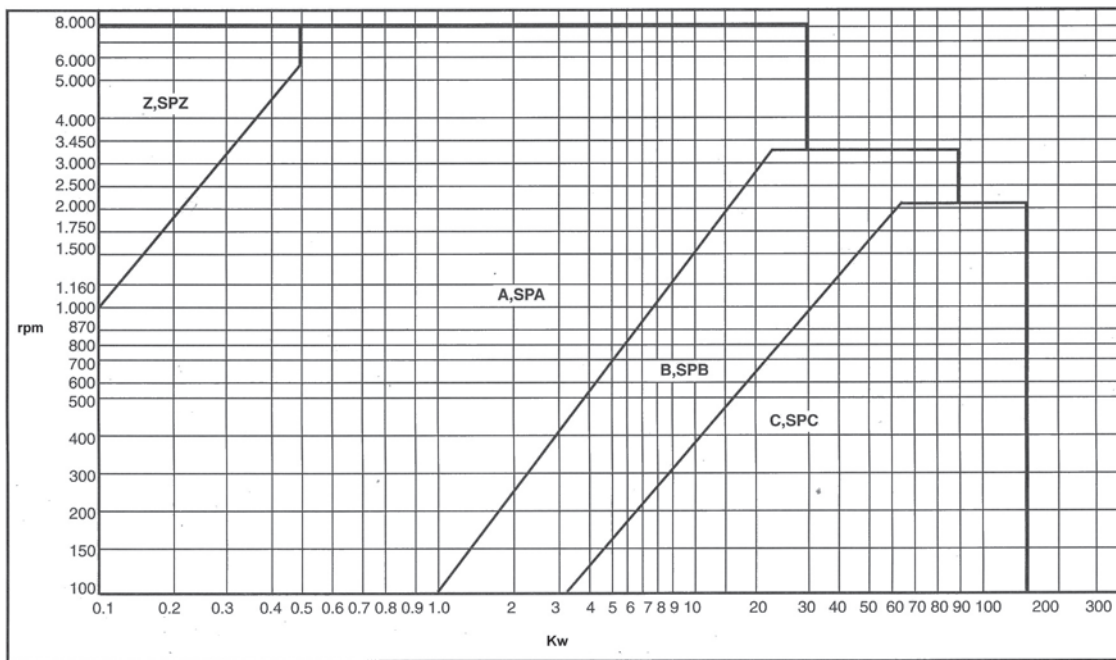
SPZ, SPA, SPB and SPC.

## Groove Dimensions

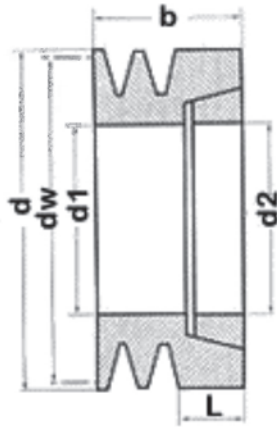
Size	dp		f	e	g	h	b
SPZ	<80	34	8	12	9.7	9	2
	>80	38			9.9		
SPA	<118	34	10	15	12.7	11	2.75
	>118	38			12.9		
SPB	<190	34	12.5	19	16.1	14	3.5
	>190	38			16.4		
SPC	<315	34	17	25.5	21.9	19	4.8
	>315	38			22.3		



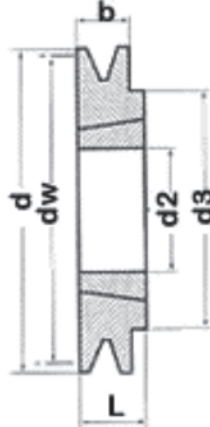
## V-Belt Pulley Selection Table



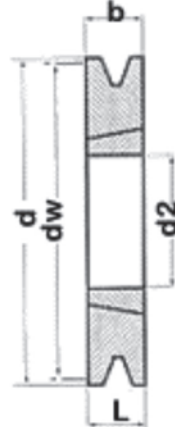
## V-Belt Pulley



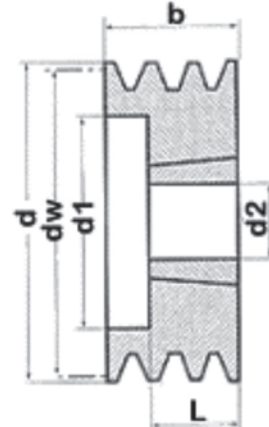
Type 1



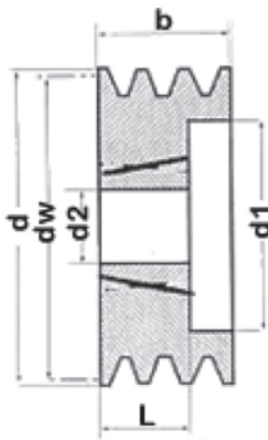
Type 2



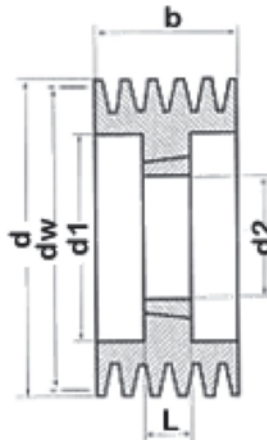
Type 3



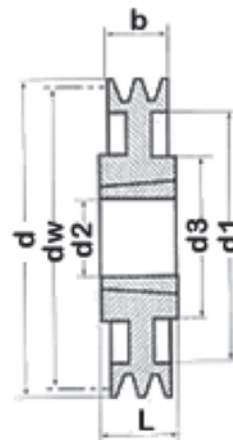
Type 4



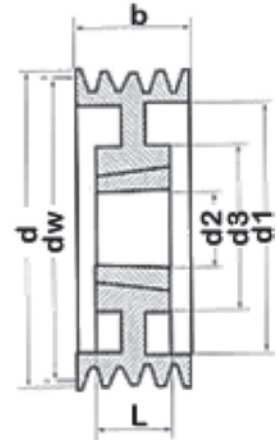
Type 5



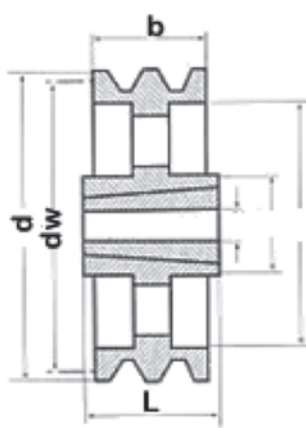
Type 6



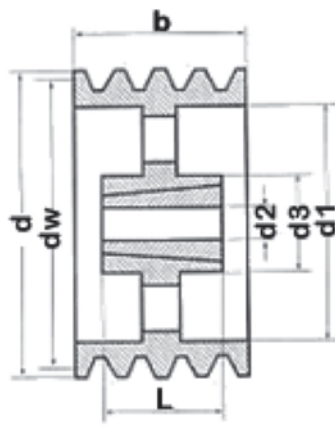
Type 7



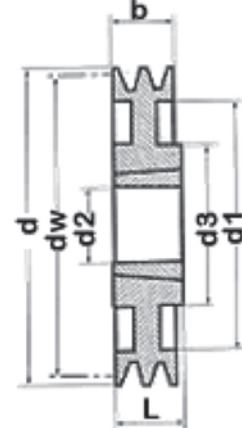
Type 8



Type 9



Type 10



Type 11

Pulley (dw)	Grooves	Bush	d2 Max	Type	L	b	d3	d1	d	App. Kg
63	1	1008/1108	25/28			20			69	0.6
	2	1008/1108	25/28			35			69	0.8
67	1	1108	28			20			73	0.4
	2	1108	28			35			73	0.6
71	1	1108	28			20			79	0.4
	2	1108	28			35			79	0.6
	3	1108	28			50			79	0.8
75	1	1108	28			20			80.6	0.5
	2	1108	28			35			80.6	0.7
80	1	1210	32			20			85.6	.5
	2	1108/1210	28/32			35			85.6	.75
	3	1210	32			50			85.6	.95
85	1	1210	32			20			90.6	.6
	2	1210	32			35			90.6	.8
	3	1210	32			50			90.6	1.00
90	1	1210	32			20			95.6	.7
	2	1610	42			35			95.6	.8
	3	1610	42			50			95.6	1.05
	4	1615	42			65			95.6	1.35
95	1	1210	32			20			100.6	.8
	2	1610	42			35			100.6	1
	3	1610	42			50			100.6	1.2
	4	1615	42			65			100.6	1.5
100	1	1610	42			20			105.6	.85
	2	1610	42			35			105.6	1
	3	1610	42			50			105.6	1.40
	4	1610/1615	42			65			105.6	1.8
	5	1615	42			80			105.6	2.2
	6	1610/1615	42			95			105.6	2.35
106	1	1610	42			20			111.6	1
	2	1610	42			35			111.6	1.3
	3	1610	42			50			111.6	1.5
	4	2012	50			65			111.6	1.7
	5	2012	50			80			111.6	2.10
	6	2012	50			95			111.6	2.4
112	1	1610	42			20			117.6	1.05
	2	1610	42			35			117.6	1.35
	3	2012	50			50			117.6	1.8
	4	2012	50			65			117.6	2
	5	2012	50			80			117.6	2.5
	6	2012	50			95			117.6	2.7
118	1	1610	42			2			123.6	1.2
	2	1610	42			4			123.6	1.6
	3	2012	50			5			123.6	1.85
	4	2012	50			5			123.6	2.2
	5	2012	50			5			123.6	2.7
	6	2012	50			4			123.6	3

# SPA V-Pulley (Taperlock)



"Australia's Only Genuine Wholesaler"

Pulley (dw)	Grooves	Bush	d2 Max	Type	L	b	d3	d1	d	App. Kg
125	1	1610	42			20			130.6	1.35
	2	1610	42			35			130.6	1.85
	3	2012	50			50			130.6	2.25
	4	2012	50			65			130.6	2.7
	5	2012	50			80			130.6	3.1
	6	2012	50			95			130.6	3.5
132	1	1610	42			20			137.6	1.6
	2	2012	50			35			137.6	2.1
	3	2012	50			50			137.6	2.55
	4	2517	65			65			137.6	2.8
	5	2517	65			80			137.6	3.3
	6	2517	65			95			137.6	3.8
140	1	1610	42			20			145.6	1.8
	2	2012	50			35			145.6	2.5
	3	2517	65			50			145.6	2.8
	4	2517	65			65			145.6	3.8
	5	2517	65			80			145.6	4
	6	2517	65			95			145.6	4.65
150	1	1610	42			20			155.6	2.2
	2	2012	50			35			155.6	3
	3	2517	65			50			155.6	3.55
	4	2517	65			65			155.6	4.1
	5	2517	65			80			155.6	4.9
	6	2517	65			95			155.6	5.2
160	1	1610	42			20			165.6	1.85
	2	2012	50			35			165.6	3.5
	3	2517	65			50			165.6	4.4
	4	2517	65			65			165.6	5.1
	5	2517	65			80			165.6	5.5
	6	2517	65			95			165.6	6.2
170	1	1610	42			20			175.6	2
	2	2012	50			35			175.6	3.3
	3	2517	65			50			175.6	4.5
	4	2517	65			65			175.6	5.9
	5	2517	65			80			175.6	6.6
180	1	1610	42			20			185.6	2
	2	2012	50			35			185.6	3.8
	3	2517	65			50			185.6	6
	4	2517	65			65			185.6	6.65
	5	3020	75			80			185.6	6.8
	6	3020	75			95			185.6	9.3
190	1	1610	42			20			195.6	2.7
	2	2012	50			35			195.6	4.4
	3	2517	65			50			195.6	5.5



Pulley (dw)	Grooves	Bush	d2 Max	Type	L	b	d3	d1	d	App. Kg
200	1	2012	50			20			205.6	3
	2	2517	65			35			205.6	4.4
	3	2517	65			50			205.6	5.2
	4	3020	75			65			205.6	8.3
	5	3020	75			80			205.6	8.9
	6	3020	75			95			205.6	9.8
212	1	2012	50			20			217.6	2.9
	2	2517	65			35			217.6	4.7
	3	2517	65			50			217.6	6
	4	3020	75			65			217.6	8
224	1	2012	50			20			229.6	3.25
	2	2517	65			35			229.6	5.25
	3	2517	65			50			229.6	6.2
	4	3020	75			65			229.6	11.2
	5	3020	75			80			229.6	12.1
	6	3020	75			95			229.6	13.4
236	1	2012	50			20			241.6	3.2
	2	2517	65			35			241.6	5.4
	3	2517	65			50			241.6	6.6
	4	3020	75			65			241.6	9.8
	5	3020	75			80			241.6	12.2
250	1	2012	50			20			255.6	3.8
	2	2517	65			35			255.6	5.8
	3	2517	65			50			255.6	6.55
	4	3020	75			65			255.6	9.7
	5	3020	75			80			255.6	10.5
	6	3020	75			95			255.6	11.7
280	1	2012	50			20			285.6	4.7
	2	2517	65			35			285.6	6.4
	3	2517	65			50			285.6	8.9
	4	3020	75			65			285.6	10.40
	5	3535	90			80			285.6	15.1
	6	3535	90			95			285.6	16.7
300	1	2012	50			20			305.6	
	2	2517	65			35			305.6	4.3
	3	3020	75			50			305.6	6.2
315	1	2012	50			20			320.6	4.9
	2	2517	65			35			320.6	7.5
	3	3020	75			50			320.6	11.8
	4	3020	75			65			320.6	15.5
	5	3535	90			80			320.6	17.3
	6	3535	90			95			320.6	18.9
335	4	3020	75			65			340.6	12.8
355	1	2012	50			20			360.6	5.5
	2	2517	65			35			360.6	8.8
	3	3020	75			50			360.6	12.2
	4	3020	75			65			360.6	13.5
	5	3535	90			80			360.6	20.2
	6	3535	90			95			360.6	21

# SPA V-Pulley (Taperlock)



"Australia's Only Genuine Wholesaler"

Pulley (dw)	Grooves	Bush	d2 Max	Type	L	b	d3	d1	d	App. Kg
400	1	2012	50			20			405.6	5.91
	2	2517	65			35			405.6	9.35
	3	3020	75			50			405.6	13.32
	4	3020	75			65			405.6	15.45
	5	3535	90			80			405.6	22.09
	6	3535	90			95			405.6	24.25
450	1	2012/2517	50/65			20			455.6	6.77
	2	2517	65			35			455.6	10.62
	3	3020	75			50			455.6	15.11
	4	3020	75			65			455.6	17.94
	5	3535	90			80			455.6	24.65
	6	3535	90			95			455.6	27.31
500	1	2517	65			20			505.6	6.5
	2	2517	65			35			505.6	12.11
	3	3020	75			50			505.6	17.09
	4	3020	75			65			505.6	20.07
	5	3535	90			80			505.6	27.33
	6	3535	90			95			505.6	30.55
630	1	2517	65			20			635.6	16.00
	2	3020	75			35			635.6	17.8
	3	3020	75			50			635.6	22.68
	4	3535	90			65			635.6	31.17
	5	3535	90			80			635.6	35.31
	6	4040	100			95			635.6	47.72
800	3	3535	90			50			805.6	34.76
	4	3535	90			65			805.6	41.11
	5	4040	100			80			805.6	54.54
	6	4040	100			95			805.6	59.75
1000	3	3535	90			50			1005.6	45.99
	4	4040	100			65			1005.6	63.94
	5	4545	110			80			1005.6	76.41
	6	4545	110			95			1005.6	85.40



Pulley (dw)	Grooves	Bush	d2 Max	Type	L	b	d3	d1	d	App. Kg
80	1	1108/1210	28/32			25			87	0.5
	2	1108/1210	28/32			44			87	0.7
	3	1108/1210	28/32			63			87	1.1
85	1	1210	32			25			92	0.6
	2	1210	32			44			92	0.8
90	1	1210	32			25			97	0.6
	2	1210	32			44			97	1
	3	1210	32			63			97	1.3
95	1	1210/1610	32/42			25			102	1
	2	1210/1610	32/42			44			102	1.2
100	1	1610	42			25			107	0.88
	2	1610	42			44			107	1.3
	3	1610	42			63			107	1.8
	4	1615	42			82			107	2.2
106	1	1610	42			25			112	1
	2	1610	42			44			112	1.5
	3	1610	42			63			112	2
	4	1610	42			82			112	2.5
	5	1615	42			101			112	2.75
112	1	1610	42			25			119	1.21
	2	1610	42			44			119	1.72
	3	1610	42			63			119	2.29
	4	1610	42			82			119	2.95
118	1	1610	42			25			125	1.4
	2	1610	42			44			125	1.94
	3	1610	42			63			125	2.55
	4	1610	42			82			125	3.2
125	1	1610	42			25			132	1.63
	2	2012	50			44			132	2.07
	3	2012	50			63			132	2.73
	4	2012	50			82			132	3.39
	5	2012	50			101			132	4.05
132	1	1610	42			25			139	1.87
	2	2012	50			44			139	2.4
	3	2012	50			63			139	3.11
	4	2012	50			82			139	3.82
	5	2012/2517	50/65			101			139	4.2
140	1	1610	42			25			147	2.16
	2	2012	50			44			147	2.81
	3	2012	50			63			147	3.56
	4	2517	65			82			147	4.85
	5	2517	65			101			147	4.49
	6	2517	65			120			147	5.53
150	1	1610	42			25			157	2.55
	2	2012	50			44			157	3.34
	3	2517	65			63			157	4.1
	4	2517	65			82			157	6.26
	5	2517	65			101			157	5.73
	6	2517	65			120			157	6.56

# SPB V-Pulley (taperlock)



"Australia's Only Genuine Wholesaler"

Pulley (dw)	Grooves	Bush	d2 Max	Type	L	b	d3	d1	d	App. Kg
160	1	1610	42			25			167	2.97
	2	2012	50			44			167	3.92
	3	2517	65			63			167	4.7
	4	2517	65			82			167	5.78
	5	2517	65			101			167	6.67
	6	3020	75			120			167	6.20
170	1	1610	42			25			177	3.3
	2	2012	50			44			177	4.5
	3	2517	65			63			177	5.6
	4	2517	65			82			177	6.7
	5	3020	75			101			177	6.8
	6	3020	75			120			177	7.8
180	1	1610	42			158			187	3.9
	2	2517	65			44			187	5.62
	3	2517	65			63			187	6.91
	4	2517	65			82			187	7.68
	5	3020	75			101			187	7.89
	6	3020	75			120			187	8.91
	8	3020	75			158			187	12.21
190	1	2012	50			25			197	4.12
	2	2517	65			44			197	6.5
	3	2517	65			63			197	8.1
	4	2517	65			82			197	8.71
	5	3020	75			101			197	9.08
	6	3020	75			120			197	10.16
	8	3030	75			158			197	14.11
200	1	2012	50			25			207	4.64
	2	2517	65			44			207	7.53
	3	2517	65			63			207	9.31
	4	3020	75			82			207	9.38
	5	3020	75			101			207	10.58
	6	3020	75			120			207	11.78
	8	3535	90			158			207	15.22
212	1	2012	50			25			219	5.31
	2	2517	65			44			219	8.56
	3	2517	65			63			219	9.9
	4	3020	75			82			219	10.89
	5	3020	75			101			219	12.17
	6	3535	90			120			219	15.35
224	1	2012	50			25			231	6.01
	2	2517	65			44			231	9.60
	3	2517	65			63			231	11.30
	4	3020	75			82			231	12.48
	5	3020	75			101			231	13.89
	6	3535	90			120			231	18.02
	8	3535	90			158			231	20.75

Pulley (dw)	Grooves	Bush	d2 Max	Type	L	b	d3	d1	d	App. Kg
236	1	2012	50			25			243	6.76
	2	2517	65			44			243	10.62
	3	2517	65			63			243	7.72
	4	3020	75			82			243	14.16
	5	3535	90			101			243	19.39
	6	3535	90			120			243	20.84
250	1	2012	50			25			257	7.68
	2	2517	65			44			257	6.7
	3	3020	75			63			257	12.6
	4	3020	75			82			257	16.08
	5	3535	90			101			257	22.77
	6	3535	90			120			257	24.31
	8	3535	90			158			257	27.39
280	1	2012	50			25			287	4.13
	2	2517	65			44			287	7.53
	3	3020	75			63			287	10.74
	4	3020	75			82			287	13.4
	5	3535	90			101			287	19.15
	6	3535	90			120			287	21.04
	8	3535	90			158			287	25
300	1	2012	50			25			307	6.8
	2	2517	65			44			307	8.14
	3	3020	75			63			307	11.64
	4	3020/3535	75/90			82			307	14.92
	5	3535	90			101			307	20.67
	6	3535	90			120			307	22.75
315	1	2012	50			25			322	7.9
	2	2517	65			44			322	8.66
	3	3020	75			63			322	12.21
	4	3535	90			82			322	19.81
	5	3535	90			101			322	21.75
	6	3535	90			120			322	23.98
335	2	2517	65			44			342	11.3
	3	3020	75			63			342	12
	4	3535	90			82			342	16.4
355	2	3020	75			44			362	11.74
	3	3020	75			63			362	14.24
	4	3535	90			82			362	15.5
	5	3535	90			101			362	23.46
	6	3535	90			120			362	27.75
	8	3535	90			158			362	31.6
400	2	3020	75			44			407	13.87
	3	3535	90			63			407	18.60
	4	3535	90			82			407	23.15
	5	3535	90			101			407	26.63
	6	3535	90			120			407	29.36
	8	4040	100			158			407	41.00

# SPB V-Pulley (taperlock)



"Australia's Only Genuine Wholesaler"

Pulley (dw)	Grooves	Bush	d2 Max	Type	L	b	d3	d1	d	App. Kg
450	2	3020/3535	75/90			63			457	14
	3	3535	90			82			457	22
	4	3535	90			82			457	25
	5	3535	90			101			457	29
500	2	3020	75			44			507	18.12
	3	3535	90			63			507	24.7
	4	3535	90			82			507	32.92
	5	3535	90			101			507	39.08
	6	4040	100			120			507	48.28
	8	4040	100			158			507	58
560	4	3535	90			82			567	32.92
	5	4040	100			101			567	39.08
	6	4040	100			120			567	48.28
630	2	3020	75			44			637	27.66
	3	3535	90			63			637	37.2
	4	3535	90			82			637	43.62
	5	4040	100			101			637	53.11
	6	4040	100			120			637	61.62
	8	4545	110			158			637	59.86
800	3	3535	90			63			807	52.39
	4	4040	100			82			807	65.8
	5	4040	100			101			807	74.87
	6	4545	110			120			807	89.49
	8	4545	110			158			807	109.62
1000	3	4040				63			1007	
	4	4040				82			1007	
	5	4545				101			1007	
	6	4545				120			1007	
	8	5050				158			1007	



Pulley (dw)	Grooves	Bush	d2 Max	Type	L	b	d3	d1	d	App. Kg
150	1	2012/2517	50/65			50			159.6	6
200	1	2517	65			50			209.6	8
	3	2517	60			85			209.6	10.41
	4	3020	75			110.5			209.6	11.57
	5	3020/3535	75/90			136			209.6	14.38
	6	3535	90			161.5			209.6	16.13
	8	3535	90			212.5			209.6	16.93
212	3	2517/3020	65/75			85			221.6	11.35
	4	3020	75			110.5			221.6	13.22
	5	3535	90			136			221.6	16.98
	6	3535	90			161.5			221.6	18.85
	8	3535	90			212.5			221.6	22.59
224	1	2517	65			50			233.6	10.00
	2	3020	75			59.5			233.6	10.97
	3	3020	75			85			233.6	12.97
	4	3535	90			110.5			233.6	17.72
	5	3535	90			136			233.6	19.71
	6	3535	90			161.5			233.6	21.71
	8	3535	90			212.5			233.6	25.69
236	3	3020	75			85			245.6	14.67
	4	3535	90			110.5			245.6	20.49
	5	3535	90			136			245.6	22.6
	6	3535	90			161.5			245.6	24.72
	8	3535	90			212.5			245.6	28.94
250	2	3020	75			50			259.6	14.00
	3	3020	75			85			259.6	16.76
	4	3535	90			110.5			259.6	23.91
	5	3535	90			136			259.6	26.16
	6	3535	90			161.5			259.6	28.42
	8	3535	90			212.5			259.6	32.93
265	3	3535	90			85			274.6	25.04
	4	3535	90			110.5			274.6	21.11
	5	3535	90			136			274.6	23.52
	6	3535	90			161.5			274.6	26.01
	8	3535	90			212.5			274.6	30.91
280	3	3535	90			85			289.6	19.55
	4	3535	90			110.5			289.6	22.23
	5	3535	90			136			289.6	24.91
	6	3535	90			161.5			289.6	27.6
	8	3535	90			212.5			289.6	32.84
300	3	3535	90			85			309.6	21.01
	4	3535	90			110.5			309.6	23.95
	5	3535	90			136			309.6	26.89
	6	3535	90			161.5			309.6	29.83
	8	4040	100			212.5			309.6	49.93
	10	4545	110			263.5			309.6	54

# SPC V-Pulley (taperlock)



"Australia's Only Genuine Wholesaler"

Pulley (dw)	Grooves	Bush	d2 Max	Type	L	b	d3	d1	d	App. Kg
315	3	3535	90			85			324.6	22.04
	4	3535	90			110.5			324.6	25.18
	5	3535	90			136			324.6	28.32
	6	3535	90			161.5			324.6	31.45
	8	4040	100			212.5			324.6	44.28
	10	4545	110			263.5			324.6	60
335	3	3535	90			85			344.6	22.60
	4	3535	90			110.5			344.6	27.60
	5	3535	90			136			344.6	31.11
	6	3535	90			161.5			344.6	34.62
	8	4040	100			212.5			344.6	47.97
	10	4545	110			263.5			344.6	81
	12	5050	125			314.5			344.6	124
355	3	3535	90			85			364.6	26.01
	4	3535	90			110.5			364.6	29.44
	5	3535	90			136			364.6	33.23
	6	3535	90			161.5			364.6	37.02
	8	4040	100			212.5			364.6	51.05
	10	4545	110			263.5			364.6	85
	12	5050	125			314.5			364.6	124
375	3	3535	90			85			384.6	25.1
	4	3535	90			110.5			384.6	30.72
	5	3535	90			136			384.6	35.84
	6	4040	100			161.5			384.6	46.39
	8	4545	110			212.5			384.6	59.70
	10	4545	110			263.5			384.6	92
	12	5050	125			314.5			384.6	138
400	3	3535	90			85			409.6	28.14
	4	3535	90			110.5			409.6	33.24
	5	3535	90			136			409.6	38.32
	6	4040	100			161.5			409.6	50.20
	8	4545	110			212.5			409.6	63.87
	10	4545	125			263.5			409.6	73
	12	5050	125			314.5			409.6	156
425	3	3535	90			85			434.6	28.75
	4	3535	90			110.5			434.6	33.76
	5	3535	90			136			434.6	45.51
	6	4040/4545	100/110			161.5			434.6	56.22
	8	4545/5050	110/125			212.5			434.6	64.97
	10	5050	125			263.5			434.6	105
	12	5050	125			314.5			434.6	130
450	3	3535	90			85			459.6	30.39
	4	3535	90			110.5			459.6	35.9
	5	4040	100			136			459.6	47.85
	6	4545	110			161.5			459.6	58.92
	8	5050	125			212.5			459.6	73.99
	10	5050	125			263.5			459.6	94
	12	5050	125			314.5			459.6	133



"Why compete against your supplier when you can be our partner"

Pulley (dw)	Grooves	Bush	d2 Max	Type	L	b	d3	d1	d	App. Kg
475	3	3535	90			85			484.6	32.46
	4	3535	90			110.5			484.6	38.41
	5	4040	100			136			484.6	50.60
	6	4545	110			161.5			484.6	61.46
	8	5050	125			212.5			484.6	77.64
	10	5050	125			263.5			484.6	125
	12	5050	125			314.5			484.6	142
500	3	3535	90			85			509.6	34.52
	4	3535	90			110.5			509.6	41.06
	5	4040	100			136			509.6	53.49
	6	4545	110			161.5			509.6	64.69
	8	5050	125			212.5			509.6	81.31
	10	5050	125			263.5			509.6	111
	12	5050	125			314.5			509.6	148
530	3	3535	90			85			539.6	36.82
	4	3535/4040	90/100			110.5			539.6	50.27
	5	4040/4545	100/4545			136			539.6	62.18
	6	4545	110			161.5			539.6	73.77
	8	5050	125			212.5			539.6	85.60
	10	5050	125			263.5			539.6	145
	12	5050	125			314.5			539.6	155
560	3	3535	90			85			569.6	39.41
	4	4040	100			110.5			569.6	53.43
	5	4545	110			136			569.6	65.72
	6	5050	125			161.5			569.6	77.67
	8	5050	125			212.5			569.6	90.9
	10	5050	125			263.5			569.6	121
	12	5050	125			314.5			569.6	164
630	3	4040	100			85			639.6	52.10
	4	4545	110			110.5			639.6	66.03
	5	5050	125			136			639.6	79.3
	6	5050	125			161.5			639.6	87.39
	8	5050	125			212.5			639.6	102.88
	10	5050	125			263.5			639.6	130
	12	5050	125			314.5			639.6	185
800	3	4545	110			85			809.6	72
	4	5050	125			110.5			809.6	90.77
	5	5050	125			136			809.6	102.46
	6	5050	125			161.5			809.6	113.65
	8	5050	125			212.5			809.6	136.55
	10	5050	125			263.5			809.6	170
	12	6050	150			314.5			809.6	277
1000	4	5050	125			110.5			1009.6	117.11
	5	5050	125			136			1009.6	133.59
	6	5050	125			161.5			1009.6	149.8
	8	5050	125			212.5			1009.6	181.35
	10	5050	125			263.5			1009.6	230
	12	6050	150			314.5			1009.6	346
1250	5	5050	125			136			1259.6	187
	6	5050	125			161.5			1259.6	200
	8	5050	125			212.5			1259.6	252

# SPZ Pulley (taper-lock)



"Australia's Only Genuine Wholesaler"

Pulley (dw)	Grooves	Bush	d2 Max	Type	L	b	d3	d1	d	App. Kg
56	1	1008	25			38			54	0.45
	2	1008/1108	25/28			50			54	0.53
60	1	1008	25			16			64	0.25
	2	1108	28			49			64	0.6
63	1	1108	28			16			67	0.3
	2	1108	28			28			67	0.4
	3	1108	28			40			67	0.16
67	1	1108	28			16			71	0.3
	2	1108	28			28			71	0.42
	3	1108	28			40			71	0.57
71	1	1108	28			16			75	0.4
	2	1108	28			28			75	0.5
	3	1108	28			40			75	0.6
75	1	1108	28			16			79	0.5
	2	1210	32			28			79	0.5
	3	1210	32			40			79	0.6
80	1	1210	32			16			84	0.4
	2	1210	32			28			84	0.5
	3	1210	32			40			84	0.7
	4	1210	32			52			84	0.8
85	1	1210	32			16			89	0.5
	2	1610	42			28			89	0.6
	3	1610	42			40			89	0.8
	4	1610	42			52			89	0.9
90	1	1210	32			16			94	0.7
	2	1610	42			28			94	0.8
	3	1610	42			40			94	0.9
	4	1610	42			52			94	1.2
95	1	1210	32			16			99	0.8
	2	1610	42			28			99	0.9
	3	1610	42			40			99	1.06
	4	1610	42			52			99	1.2
100	1	1210	32			16			104	0.9
	2	1610	42			28			104	1
	3	1610	42			40			104	1.2
	4	1610	42			52			104	1.4
106	1	1610	42			16			110	1.1
	2	1610	42			28			110	1.2
	3	1610	42			40			110	1.3
	4	1610	42			52			110	1.7
112	1	1610	42			16			116	1.15
	2	1610	42			28			116	1.3
	3	2012	50			40			116	1.4
	4	2012	50			52			116	1.7
118	1	1610	42			16			122	1.2
	2	1610	42			28			122	1.5
	3	2012	50			40			122	1.6
	4	2012	50			52			122	2
125	1	1610	42			16			129	1.3
	2	1610	42			28			129	1.8
	3	2012	50			40			129	2
	4	2012	50			52			129	2.3

Every effort has been taken to ensure that the data listed in this catalogue is correct. Finer Power Transmissions P/L will not accept liability for any damage or loss caused as a result of the data in this catalogue.

"Why compete against your supplier when you can be our partner"

Pulley (dw)	Grooves	Bush	d2 Max	Type	L	b	d3	d1	d	App. Kg
132	1	1610	42			16			136	1.5
	2	1610	42			28			136	2
	3	2012	50			40			136	2.4
	4	2012	50			52			136	2.7
140	1	1610	42			16			144	1.6
	2	1610	42			28			144	2.4
	3	2012	50			40			144	2.8
	4	2012	50			52			144	3.1
150	1	1610	42			16			154	2
	2	2012	50			28			154	2.8
	3	2012	50			40			154	3.4
	4	2517	65			52			154	3.8
160	1	1610	42			16			164	1.7
	2	2012	50			28			164	3.3
	3	2012	50			40			164	3.9
	4	2517	65			52			164	4.6
180	1	1610	42			16			184	2
	2	2012	50			28			184	3
	3	2012	50			40			184	3.6
	4	2517	65			52			184	6.5
200	1	2012	50			16			204	2.7
	2	2012	50			28			204	3.3
	3	2012	50			40			204	4
	4	2517	65			52			204	5.2
224	1	2012	50			16			228	3
	2	2012	50			28			228	3.7
	3	2012	50			40			228	4.4
	4	2517	65			52			228	6
250	1	2012	50			16			254	2.8
	2	2012	50			28			254	4
	3	2012	50			40			254	4.6
	4	2517	65			52			254	7
280	1	2012	50			16			284	3.5
	2	2012	50			28			284	4.4
	3	2517	65			40			284	6.4
	4	2517	65			52			284	7.6
315	1	2012	50			16			319	3.8
	2	2012	50			28			319	5.1
	3	2517	65			40			319	7.4
	4	2517	65			52			319	8.6
355	1	2012	50			16			359	4.5
	2	2012	50			28			359	8.4
	3	2517	65			40			359	8.8
	4	2517	65			52			359	9.4
400	1	2012	50			16			404	4.33
	2	2517	65			28			404	6.9
	3	2517	65			40			404	8.65
	4	2517	65			52			404	10.23

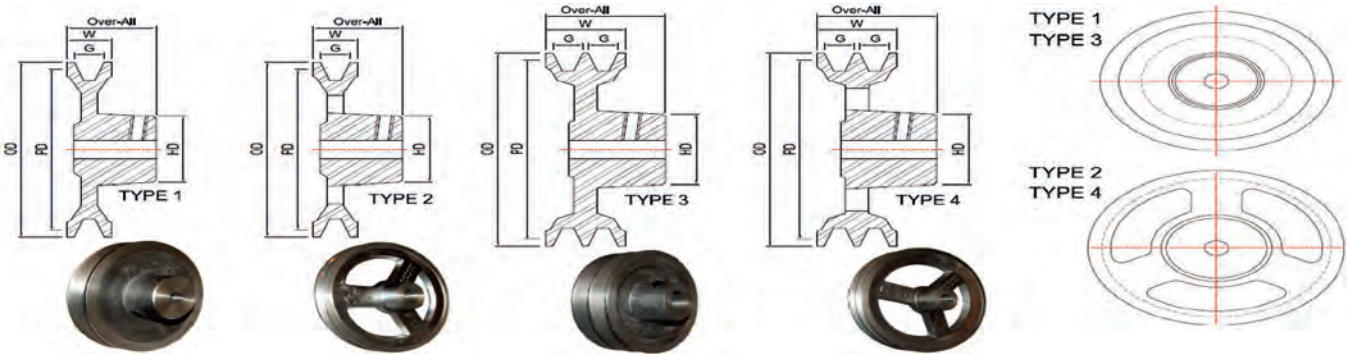
# Aluminium V-Pulleys (Made in Australia)



"Australia's Only Genuine Wholesaler"

Finer Power Transmissions stocks a range of Aluminium Pulleys that are manufactured in Australia.

In addition to the below stocked range, Finer Power Transmissions can supply specific bore sizes made to order.



## A Section

PCD		No of Grooves	Type	OD	W	HD	G	Over-All	LTB	Grub Screw	1/2"	5/8"	3/4"	1"
Inches	mm										No Key	3/16" Key	3/16" Key	1/4" Key
1.25	32	1	1	41	19	35	12.7	38	34	5/16" UNC	✓	✓	✓	
1.5	38	1	1	49	19	35	12.7	38	34	5/16" UNC	✓	✓	✓	
1.75	44	1	1	54	19	39	12.7	38	34	5/16" UNC	✓	✓	✓	
2	50	1	1	61	19	40	12.7	38	34	5/16" UNC	✓	✓	✓	✓
		2	3		34	41		55	49	5/16" UNC	✓	✓	✓	✓
2.25	57	1	1	67	19	39	12.7	38	33	5/16" UNC	✓	✓	✓	✓
2.5	63	1	1	74	19	43	12.7	55	33	5/16" UNC	✓	✓	✓	✓
		2	3		34	43		38	48	5/16" UNC	✓	✓	✓	✓
2.75	70	1	1	79	19	43	12.7	36	32	5/16" UNC	✓	✓	✓	✓
3	76	1	1	86	19	43	12.7	38	35	5/16" UNC	✓	✓	✓	✓
		2	3		34	49		55	43	5/16" UNC	✓	✓	✓	✓
3.25	82	1	1	92	19	45	12.7	48	35	5/16" UNC	✓	✓	✓	✓
3.5	89	1	1	99	19	44	12.7	36	35	5/16" UNC	✓	✓	✓	✓
		2	3		34	49		55	43	5/16" UNC	✓	✓	✓	✓
4	102	1	1	112	19	46	12.7	48	47	5/16" UNC	✓	✓	✓	✓
		2	3		34	46		50	42	5/16" UNC	✓	✓	✓	✓
4.5	114	1	1	124	19	47	12.7	38	35	5/16" UNC	✓	✓	✓	✓
		2	3		34	48		56	45	5/16" UNC	✓	✓	✓	✓
5	127	1	1	137	19	48	12.7	40	37	5/16" UNC	✓	✓	✓	✓
		2	3		34	49		51	41	5/16" UNC	✓	✓	✓	✓
5.5	140	1	2	150	19	49	12.7	40	36	5/16" UNC	✓	✓	✓	✓
		2	3		34	50		54	46	5/16" UNC	✓	✓	✓	✓
6	152	1	2	163	19	49	12.7	40	37	5/16" UNC	✓	✓	✓	✓
		2	4		34	55		53	44	5/16" UNC	✓	✓	✓	✓
6.5	165	1	2	176	19	52	12.7	40	37	5/16" UNC	✓	✓	✓	✓
7	178	1	2	189	19	57	12.7	40	38	5/16" UNC	✓	✓	✓	✓
		2	4		34	57		53	44	5/16" UNC	✓	✓	✓	✓

"Why compete against your supplier when you can be our partner"

## A Section

PCD		No of Grooves	Type	OD	W	HD	G	Over-All	LTB	Grub Screw	1/2"	5/8"	3/4"	1"
Inches	mm										No Key	3/16" Key	3/16" Key	1/4" Key
8	203	1	2	215	20	55	12.7	45	42	5/16" UNC	✓	✓	✓	✓
		2	4		34	55		68	47	5/16" UNC	✓		✓	✓
9	229	1	2	248	20	55	12.7	44	42	5/16" UNC	✓	✓	✓	✓
		2	4		34	55		55	47	5/16" UNC	✓		✓	✓
10	254	1	2	265	20	55	12.7	49	47	5/16" UNC	✓	✓	✓	✓
		2	4		34	55		59	49	5/16" UNC	✓		✓	✓
12	305	1	2	315	20	58	12.7	48	45	5/16" UNC	✓	✓	✓	✓
		2	4		34	55		58	48	5/16" UNC	✓		✓	✓
14	355	1	2	369	21	66	12.7	62	49	5/16" UNC	✓	✓	✓	✓
		2	4		34	67		64	55	5/16" UNC	✓			
15	381	1	2	393	20	67	12.7	62	60	5/16" UNC	✓		✓	✓
16	406	1	2	420	22	66	12.7	60	59	5/16" UNC	✓		✓	✓
		2	4		35	67		66	56	5/16" UNC	✓			
18	457	1	2	471	22	75	12.7	66	63	5/16" UNC	✓		✓	✓
		2	4		35	75		70	60	5/16" UNC	✓			

## B Section

PCD		No of Grooves	Type	OD	W	HD	G	Over-All	LTB	Grub Screw	1/2"	5/8"	3/4"	1"
Inches	mm										No Key	3/16" Key	3/16" Key	1/4" Key
2	50	1	1	63	24	40	16	44	38	5/16" UNC	✓	✓	✓	✓
		2	3		44	43		34	59	5/16" UNC	✓	✓	✓	✓
2.5	63	1	1	76	24	44	16	43	38	5/16" UNC	✓	✓	✓	✓
3	76	1	1	89	24	45	16	42	38	5/16" UNC	✓	✓	✓	✓
		2	3		45	50		65	51	5/16" UNC	✓	✓	✓	✓
3.5	89	1	1	102	24	50	17	43	35	5/16" UNC	✓	✓	✓	✓
		2	3		45	50		66	53	5/16" UNC	✓	✓	✓	✓
4	102	1	1	114	24	52	18	43	37	5/16" UNC	✓	✓	✓	✓
		2	3		45	70		66	50	5/16" UNC	✓	✓	✓	✓
4.5	114	1	1	127	24	52	19	41	36	5/16" UNC	✓	✓	✓	✓
		2	3		45	65		66	50	5/16" UNC	✓	✓	✓	✓
5	127	1	1	140	24	52	20	42	36	5/16" UNC	✓	✓	✓	✓
		2	3		45	60		77	55	5/16" UNC	✓	✓	✓	✓
5.5	140	1	1	152	24	53	21	46	40	5/16" UNC	✓	✓	✓	✓
		2	3		45	53		66	58	5/16" UNC	✓	✓	✓	✓
6	152	1	1	165	24	60	22	45	40	5/16" UNC	✓	✓	✓	✓
		2	3		45	58		62	50	5/16" UNC	✓	✓	✓	✓
7	165	1	1	190	24	49	23	49	43	5/16" UNC	✓		✓	✓
		2	3		45	55		66	51	5/16" UNC	✓		✓	✓

## B Section

PCD		No of Grooves	Type	OD	W	HD	G	Over-All	LTB	Grub Screw	1/2"	5/8"	3/4"	1"
Inches	mm										No Key	3/16" Key	3/16" Key	1/4" Key
8	178	1	1	216	24	60	24	54	47	5/16" UNC	✓		✓	✓
		2	3		45	63					69	55	5/16" UNC	✓
9	203	1	2	241	24	53	25	53	47	5/16" UNC	✓		✓	✓
		2	4		45	57					68	53	5/16" UNC	✓
10	229	1	2	267	24	56	26	49	44	5/16" UNC	✓		✓	✓
		2	4		45	57					64	51	5/16" UNC	✓
12	305	1	2	318	24	65	27	48	46	5/16" UNC	✓		✓	✓
		2	4		45	64					70	58	5/16" UNC	✓
14	355	1	2	368	24	67	28	62	58	5/16" UNC				✓
		2	4		45	67					74	69	5/16" UNC	
16	406	1	2	419	24	68	29	58	52	5/16" UNC	✓			
		2	4		45	73					75	62	5/16" UNC	
18	457	1	2	470	24	67	30	65	64	5/16" UNC				✓
		2	4		45	78					71	55	5/16" UNC	✓

