

Brilliance Series Track Lights



CRI90
CRI95

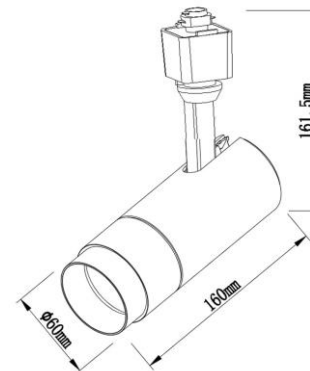
50000 H

Description

- Built-In driver for a Compact and Elegant Look and Easy installation
- Beam angle: 15D/24D/38D/60D
- SDCM<5 is the basic, if customer need, SDCM<3
- UGR<16; CRI>90 or CRI>95, R9>0.
- Power: 15W; input: 90-277 VAC
- On/off, Triac, 0-10 V is available.

Characteristic

- Power Supply: 15W / 20W / 30W
- Power Factor: >0.95
- UGR<16
- Lamp body Color: white/black
- LEDs Brand: Luminous for the standard type.



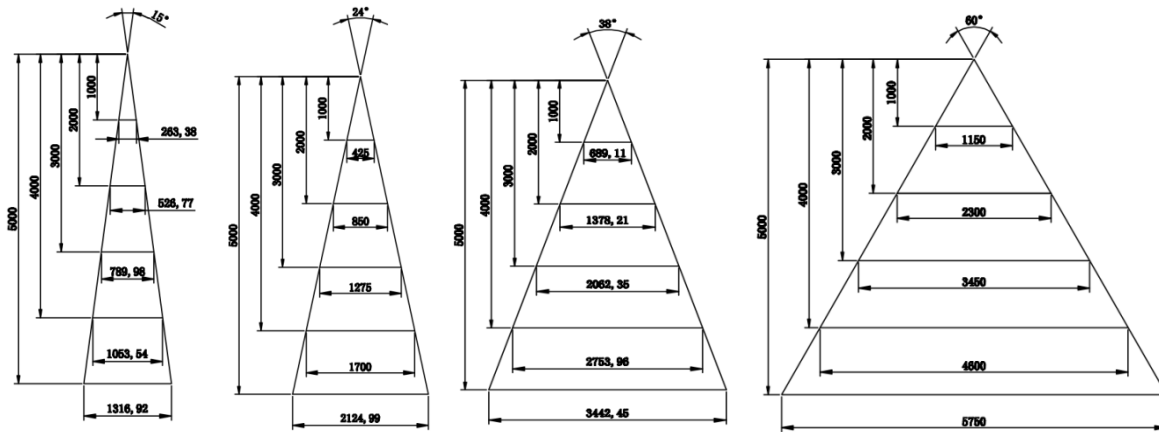
Technical Parameters:

NO.	Power	Size	Efficiency	Input Voltage	Installation ways	CCT
WH200005	15W	Φ60mm×160mm×161.5mm	90lm/w	AC90-277V	2 wires / 3 wires / 4 wires track mounted	4000K or customized to requirement

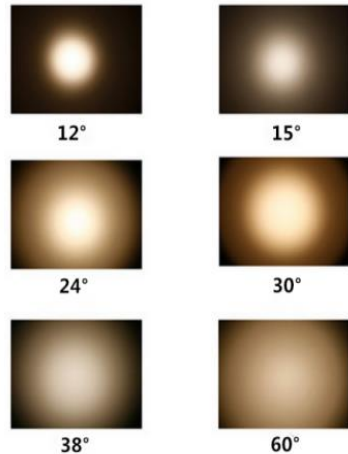
NO.	Power	Size	Efficiency	Input Voltage	Installation ways	CCT
WH200006	20W	Φ70mm×168mm×157.5mm	90lm/w	AC90-277V	2 wires / 3 wires / 4 wires track mounted	4000K or customized to requirement

NO.	Power	Size	Efficiency	Input Voltage	Installation ways	CCT
WH200007	30W	Φ80mm×179mm×182. 5mm Φ3.14"x 7.04"x 7.16"	90lm/w	AC90-277V	2wires/3wires/4wi res track mounted	2700K/3000K/4000K/5000K, or customized

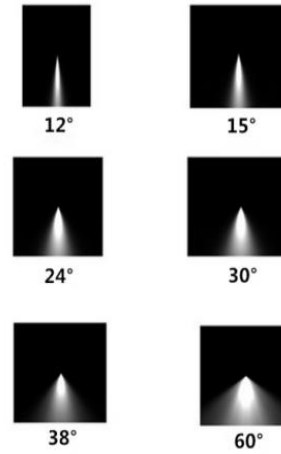
Beam Angle, Installation Height (mm) & Light diameter/distance(mm)



Different effect light spot

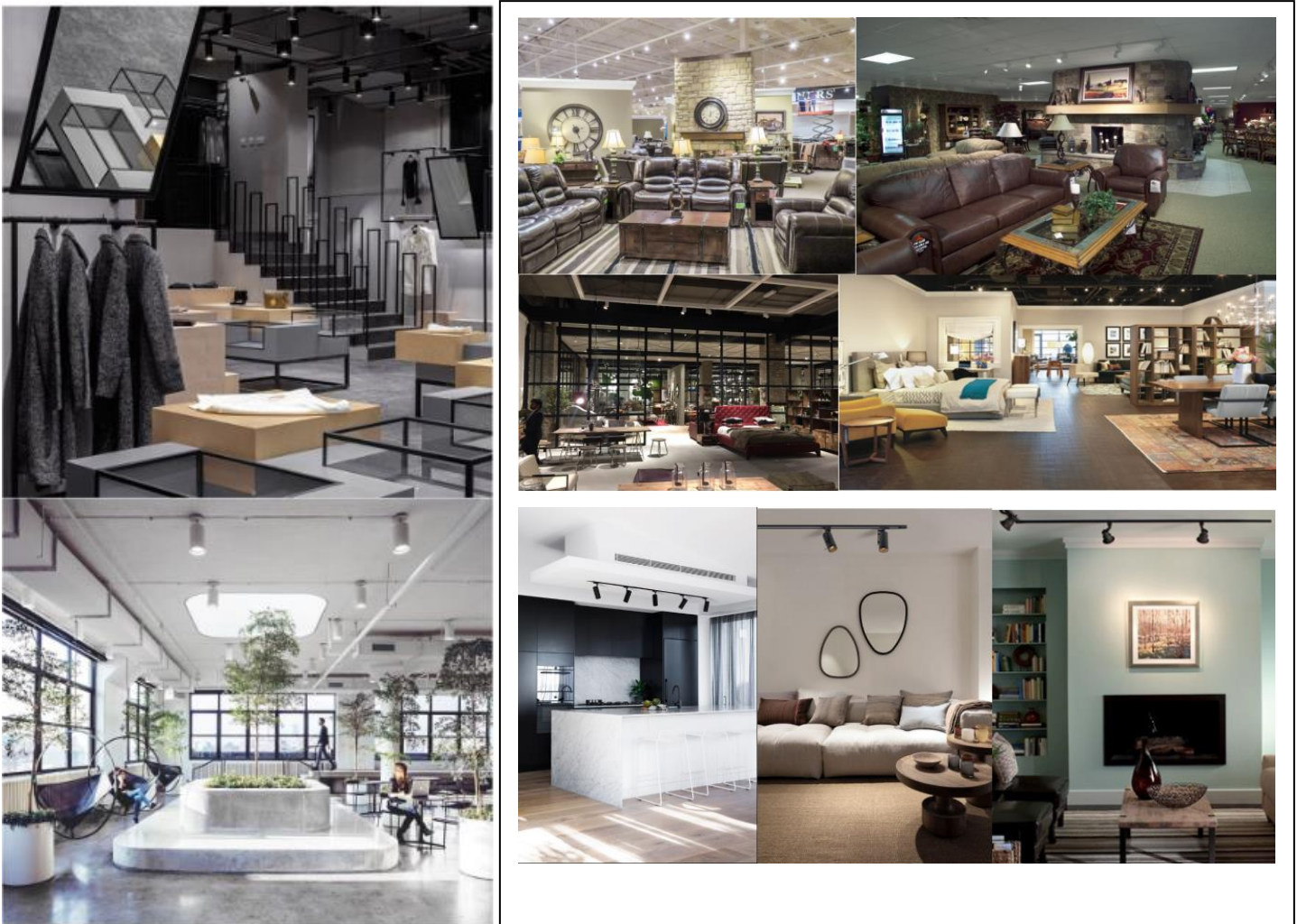


Different beam angle

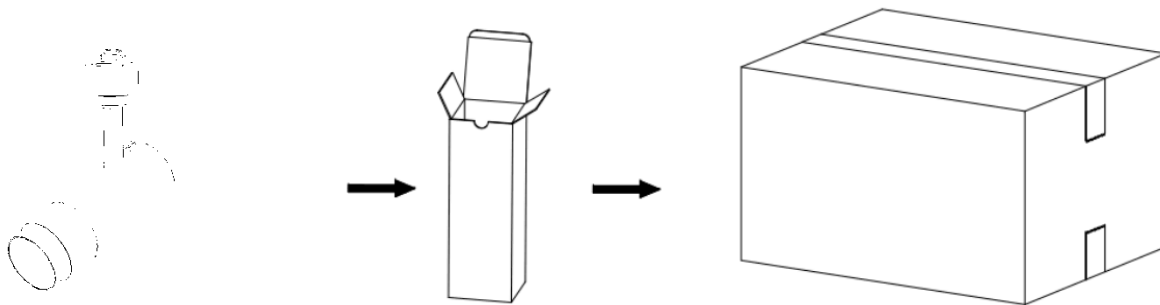


Why LED Center USA Lights: Enhanced Colors, Light Softness and Light Clarity

Applications: Suitable for furniture stores, shopping malls, supermarkets, Clothing shops, Living room, restaurant...



Packing Information:



Product Name	Item No.	Dimension (inch)	Inner packing size (inch)	Outer packing size (inch)	Net weight (lb)	Gross weight (lb)	Package Carton (PCS)

Family Series Track	DT-P1560G-	Φ 2.36"* L6.29"*	3.34"*2.75"*9.	17.91"*17.91	1.22	47	36PCS/CTN
Lights	G015Y-015	H6.35"	44"	"*11.41"	lb/box	LB/CTN	

Storage and use conditions:

1. The storage environment requires waterproof, moisture-proof and dust-proof;
2. Storage temperature: -45° C-+80° C;
3. The storage humidity is between 30% and 95%;
4. Use voltage: AC90-277V;
5. Working environment temperature: Indoor -40° C - +50° C;
6. Relative humidity: 10% - 95%.

Note:

1. This product is suitable for use in indoor and dry environments. It should avoid to installed in places with heat, hot steam, moisture, corrosive gases, etc., and prevent the entry of oil, water, or other liquids, so as not to affect product performance and life.
2. For the sake of safety, non-professionals and non-authorized personnel cannot perform internal maintenance and replacement of parts on the product;
3. Please use LED ceiling light under the rated working voltage. Below or higher than the rated voltage will damage the internal components of the lamp;
4. When installing the track light, the track head must be fully engaged on the track strip card slot, and tighten the card position to stuck the track head , to ensure electrical connection between the rail head and the rail bar connection copper a good contact.
5. Do not look directly at the light source when the light is on, and avoid eye burns.
6. When a smoke or unpleasant odor is detected during start-up or use, turn off the main power immediately.
7. Shut off the power supply must be shut down for five minutes, so that after the capacitor has a full discharge time, the product can only be maintained after cooling.