



Theralux Active™ Quantum Purity
PHOTOCATALYTIC POOL STERILISER

A new kind of swimming pool.

Converting backyard swimming pools to naturally purified mineral water.



SPASA NSW
Product of the Year

Combines with Essential Earth Minerals for a magnesium rich natural pool

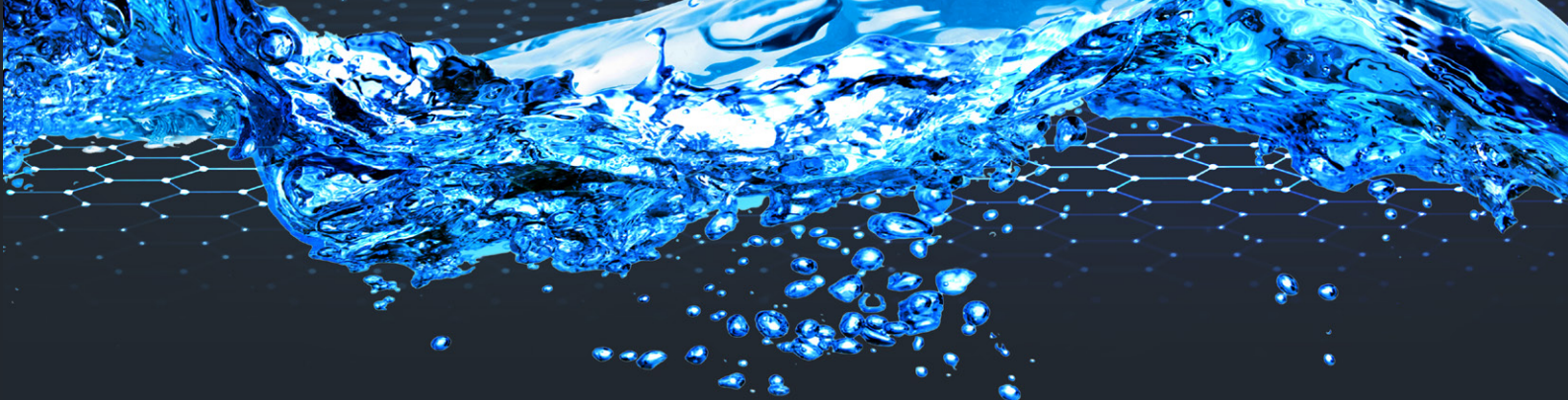


theralux | POOL WATER AT ITS BEST™

The world's most powerful, environmentally sustainable and chemical-free pool water purifier.

	Theralux Active™ Quantum Purity	Ozone	UV	Ionisers
Exceeds the effects of boiling water	✓	—	—	—
Destroys all known viruses, bacteria and pathogens	✓	—	—	—
Uses AOP Photocatalytic Oxidisation (The world's strongest oxidiser)	✓	—	—	—
Allows chlorine levels to be drinking water or less	✓	—	—	✓
Releases toxin free water	✓	—	✓	—
Makes water sparkle like diamonds with Photocatalytic Oxidisation	✓	—	—	—
Breaks down body fats, urine, sweat, sunscreen deposits and oils	✓	—	—	—
Helps prevent build-up of scum line deposits on pool surface	✓	—	—	—
Prevents eye and skin irritations	✓	✓	✓	✓
No risk of pool surface and equipment staining and corrosion	✓	—	✓	—
Easy to retro fit (one device fully assembled)	✓	—	✓	—





Complete purification

A chemical-free process designed to eliminate all bacteria and viruses the way nature intended.



Chemical reduction

Do away with harsh chemicals. Swim in water with chlorine levels similar to your household tap.



Gentle for you

Eliminate unwanted side effects such as sore eyes, itchy skin and discoloured hair.



Low maintenance

Running costs are reduced via greater efficiency, long lamp life and no need to invest in harsh chemicals.



No nasty smells

You'll never need to scrub your skin or swimwear after taking a swim, ever again.



Natural by design

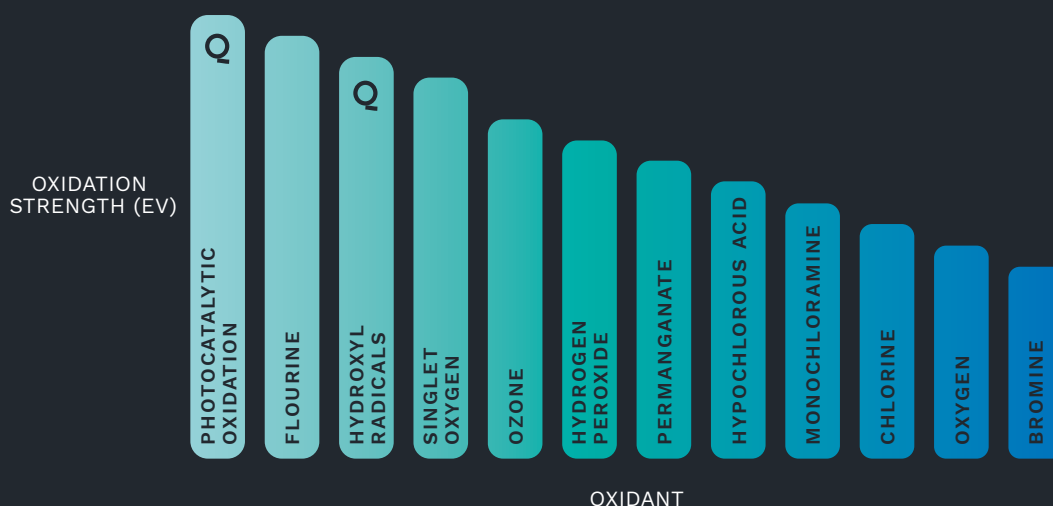
Known as Green Chemistry, our powerful sterilisation is superior to the effect of boiling water.

Why Quantum Purity?

Second to none. Combines state of the art Photocatalytic & Hydroxyl Radical technology to form Nature's Silver Bullet.

With a wide range of products available on the market that offer a variety of technologies to sanitise swimming pool water, how do you decide what method is best for you?

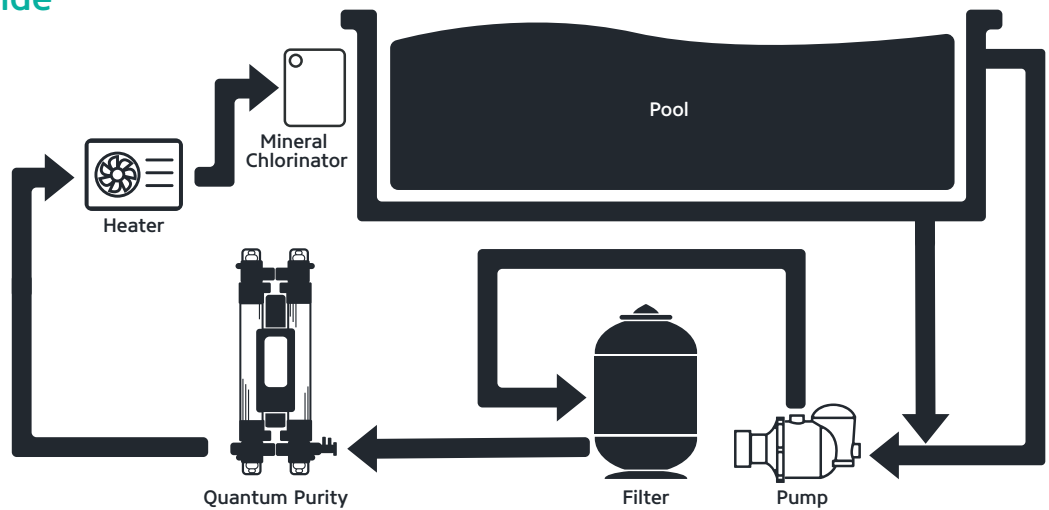
The table below identifies some key players including chlorine, ozone, hydroxyl radicals and Photocatalytic Oxidisation at the top, as the strongest and most effective sterilisation agents in existence.



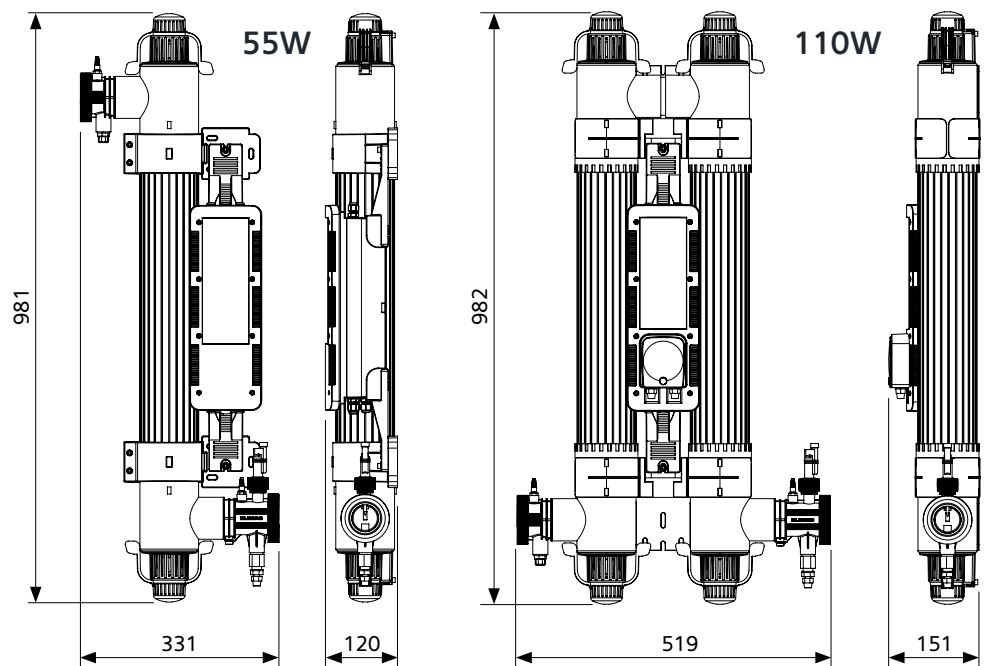
Installation Guide

Installed in under 60 minutes!

Integrates into all existing pools



Dimensions (mm)



Model options

All Quantum units are supplied complete with flow sensor, analogue lamp life indicator and reset switch.

Product code	Lamp output	Max pool volume
THERAQ6055	55W	65m ³
THERAQ6110	110W	130m ³



Theralux Active™ Service Guarantee
2 year warranty



Theralux Active™ Lifetime Pool Care
Exclusive customer care and support for the life of your pool

A DIVISION OF



Visit theralux.com.au or call
Australia 1300 131 788
New Zealand +64 9 527 0753

AVAILABLE FROM