

Media Filter

A premium and industry-leading fibreglass media filter designed for water-conscious filtration in all salt, mineral salt and fresh water pools. For sparkling pools up to 100,000 litres.

- > **Quality 6-way multiport valve, integrated sight glass and liquid filled pressure gauge for optimum filter control**
- > **Cylindrical shape provides the most efficient filtration operation and up to 370 kPa operating pressure**
- > **Long life UV stabilised, filament wound fibreglass tank**
- > **Large media area for better filtration with high efficiency**
- > **Specially designed T-Laterals and hub assembly to optimise water flow for efficient filtration and backwashing**
- > **Robust ABS barrel unions for easy installation and maintenance**



Features

- > Virtually maintenance free and easy to use
- > Constructed from strong corrosion and UV resistant bobbin-wound reinforced fibreglass, providing long and reliable working life
- > Large diameter tank for maximum filtration area
- > Built-in waste port sight glass for high visibility of water during backwashing
- > Stainless steel liquid filled pressure gauge makes it easy to see when backwashing is required
- > Suitable for sand, glass and Zelbrite media



Performance Data & Media Required

Model	Size (inches)	Multiport Valve	Sand Required (bags)	Zelbrite Required (bags)	Glass Required		Maximum Flow Rate (lpm)	Minimum Backwash Flow Rate (lpm)	6 Hour Turnover (litres)	Filtration Area (m2)
					Fine/Medium (bags)	Medium/Coarse (bags)				
HMF2140B	21"	40mm	5	5	3	2	185	123	66,600	0.22
HMF2540B	25"	40mm	8	8	5	3	260	173	93,600	0.32
HMF2550B	25"	50mm	8	8	5	3	305	173	109,800	0.32
HMF2850B	28"	50mm	11	11	6	4	336	224	120,960	0.38

Operating Limits

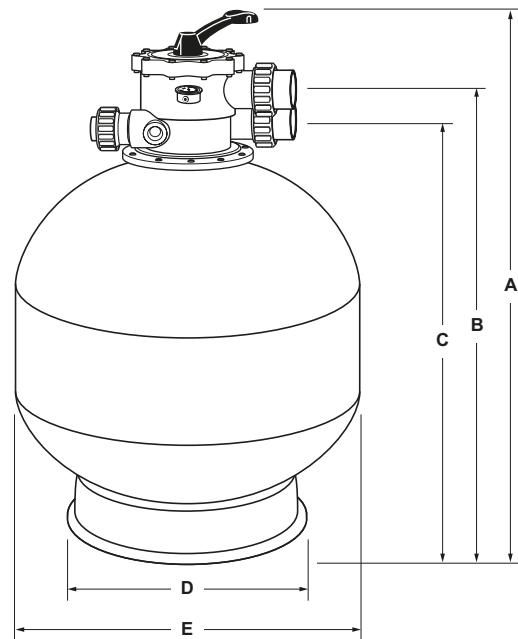
Maximum water temperature	40°C
Maximum operating pressure	370kPa

Warranty

Component	Coverage
Tank	10 years
Multiport Valve	3 years

Dimensions (mm)

Model	A	B	C	D	E	Inlet PVC	Outlet PVC	Waste PVC
HMF2140B	867	731	671	497	524		40	
HMF2540B	967	831	771	497	635		40	
HMF2550B	1017	863	783	497	635		50	
HMF2850B	1080	926	846	497	700		50	



Tank warranty