

# 8 Star 200 & 400 VSD Pump



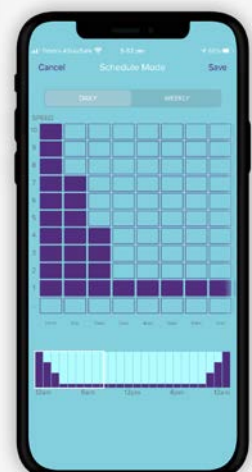
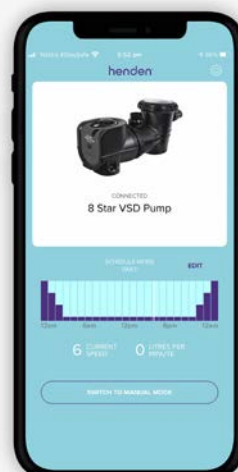
The premium high efficiency pool pump that operates super quietly. Designed to save money on running costs and ideal for pool filtration, in-floor pool cleaning systems, connection to external pool controllers, heat pumps and gas heaters. Suitable for pools up to 140,000 litres.

- > Large 4.5 litre lint pot allows for longer intervals between cleaning
- > Fully variable frequency drive with user friendly selectable speed dial
- > Multi-coloured LED indicator light for operating conditions and warnings
- > Loss of prime protection to protect the pump in the event no water is detected
- > Drain plug to enable quick draining of the casing for easy removal and maintenance
- > High performance water cooled motor for super quiet, efficient use all year round
- > Double insulated to water circuit with Equipotential Bonding Point for AS/NZ 3000 wiring standards
- > 40/50mm ABS quick coupling barrel unions for easy connection and installation

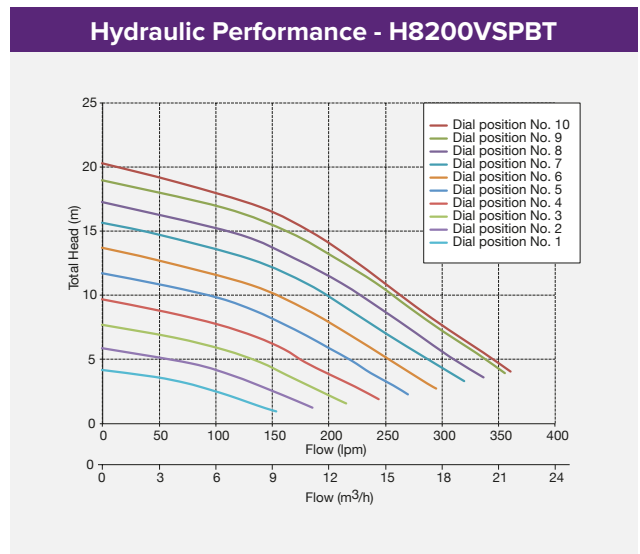


## Features

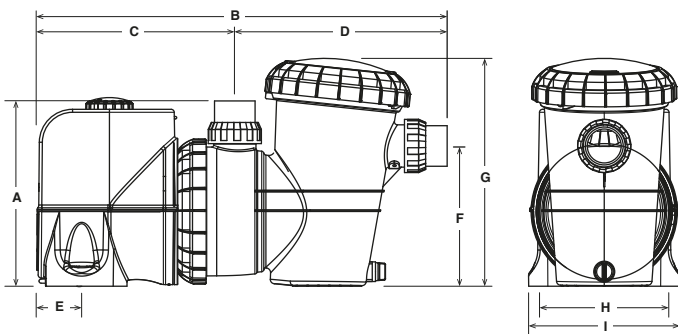
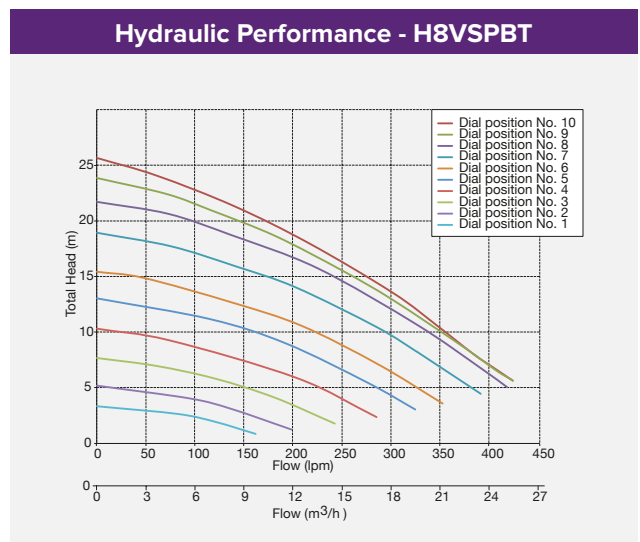
- > **Bluetooth enabled**  
To allow setup and control functionality from your iOS or Android smartphone
- > **Programmable schedules**  
Schedule hourly run times at desired speed for every day or every week via Bluetooth app  
Fully flexible to suit most applications  
Improves surface skimming capabilities



Electrical Data		
Model	H8200VSPBT	H8VSPBT
Voltage (V)	220-240	
Supply frequency (Hz)	50/60	50
Motor input power (W)	128W @ Dial 1 524W @ Dial 5 1,111W @ Dial 10	126W @ Dial 1 728W @ Dial 5 1,639W @ Dial 10
Motor output power (W / hp)	90W / 0.1 hp @ Dial 1 367W / 0.5 hp @ Dial 5 778W / 1 hp @ Dial 10	87.5W / 0.1 hp @ Dial 1 506.8W / 0.7 hp @ Dial 5 1220W / 1.6 hp @ Dial 10
Motor speed (rpm)	1,500 to 3,600	1,050 to 3,100
Backwash (rpm)	Variable speed	
Enclosure class (IP)	45	
Insulation class	F	
Power lead length	3m	
Approval No.	SGS-150025-EA	



Operating Limits	
Maximum water temperature	40°C
Maximum ambient temperature	50°C



Dimensions (mm)										Mounting Holes Diameter	Inlet/Outlet PVC	Net Weight (kg)
A	B	C	D	E	F	G	H	I		10	40/50	14

## 400 Model Only

- > **High performance water cooled motor**  
Captures noise and vibrations, allowing you to run your pump at any time of day or night  
Does not require air ventilation, giving more flexibility with positioning  
Any waste heat generated is transferred into the pool water, helping reduce pool heating costs
- > **Backwash speed cycling technology**  
For effective media cleaning and reducing waste water when backwashing
- > **4 Year Guarantee**  
Peace of mind from an Australian owned, designed and engineered pool pump

- > **Constant flow/speed compensation**  
As debris starts to build up in the filter, pressure in the system builds up, and this reduces the flow the pump produces. Uses intelligent technology to overcome this and automatically ramps up the speed of the motor to maintain the same flow
- > **Weatherproof RJ45 communication port**  
For speed adjustment via connection to a Henden Water Quality Hub, gas heater or heat pump

