

henden™

The pool professionals' choice



**Pumps
Heaters
Chlorinators
Filters
Solar Covers**

Reach your pool potential with our quality service.

When you're building and maintaining a pool, you want access to the right equipment, when you need it. With Henden you can be confident we've got you covered.



Available everywhere

Stocked in all Reece Irrigation & Pools branches across Australia.



Fast delivery direct to site

One pump or a whole pool set up.



Infield warranty service

We'll fix it for you.



Pumps

Single Speed Pump	4
2 Speed Pump	6
3 Speed Pump	8
VSD Pump	10

Heat Pumps

Inverter Heat Pump	12
Heat Pump	14

Chlorinators

Salt and Mineral Chlorinator	16
Smart Chlorinator	18
Mineral Salt & Activator	20
pH Dosing Pump	22

Filters

Cartridge Filter	24
Media Filter	26
Filter Media	28

Robotic Pool Cleaners

H2	30
H3	32

Pool Covers

Solar Pool Covers	34
Mobile Pool Roller	36
In-Ground Cover Box	38



Single Speed Pump 200, 300 & 420

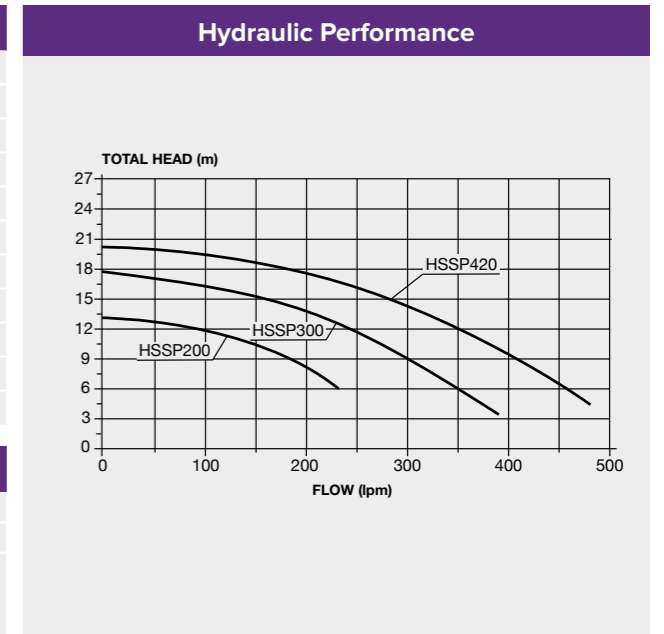
A reliable, universal pool pump that's perfect for all residential pool types up to 90,000 litres: in-ground, above ground, large swim spas, plunge pools and solar heated pools.

- > See through lid for visibility and easy maintenance
- > Self resetting thermal overload protection in the event of the pump overheating
- > Corrosion resistant Noryl impeller for longer lasting trouble-free performance
- > 316 stainless steel motor shaft
- > High performance silicon carbide Viton mechanical seal for long life in pool water'
- > 40/50mm ABS quick coupling barrel unions for easy connection and installation

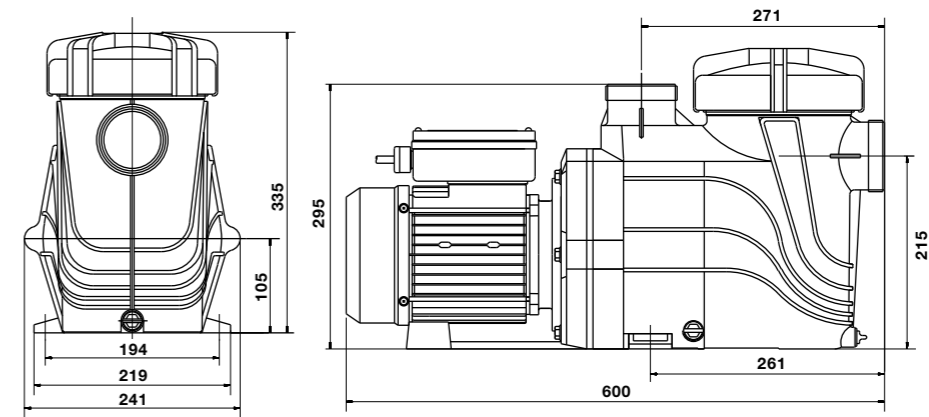


Electrical Data			
Model	HSSP200	HSSP300	HSSP420
Voltage (V)	220-240		
Phase	Single		
Supply frequency (Hz)	50		
Run current (A)	3.8	5.8	8.3
Motor input power (W)	75W	1100W	1650W
Motor output power (W / hp)	550W / 0.8 hp	750W / 1 hp	1300W / 1.7 hp
RPM	2900		
Enclosure class (IP)	55		
Insulation class	F		
Approval No.	TUV02147EA		

Operating Limits	
Maximum water temperature	40°C
Maximum ambient temperature	50°C
dBa @ 1 metre	61 - (HSSP200) 62 - (HSSP300) 65 - (HSSP420)



Dimensions (mm)				
Model	Mounting Holes Diameter	Inlet PVC	Outlet PVC	Net Weight (kg)
HSSP200	11	40 & 50	40 & 50	13.6
HSSP300				15.5
HSSP420				17.6



Features

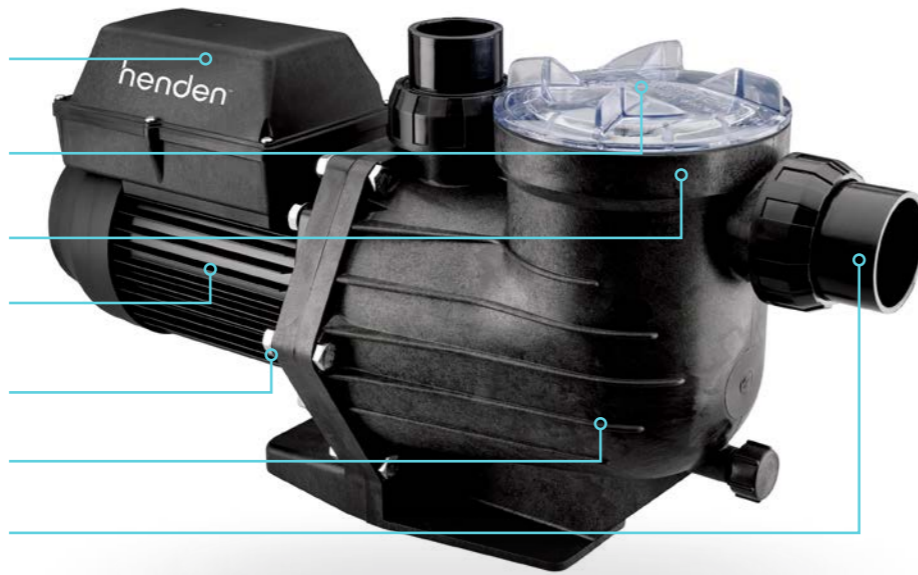
- > **Durable Exterior**
Constructed of strong corrosion and UV resistant materials for long and reliable working life
- > **High Performance Motor**
Totally enclosed to protect against the elements, with power reserves for extended operating life
- > **Double Insulated to Water Circuit**
Provided with an Equipotential Bonding Point for AS/NZ 3000 wiring standards
- > Fully serviceable, allowing for easy maintenance and repair
- > Drain plugs enable simple water drainage for easy maintenance
- > 3m power lead with 10 amp three pin plug fitted to all models
- > **4 Year Guarantee**
Peace of mind from an Australian owned, designed and engineered pool pump



6 Star 2 Speed Pump

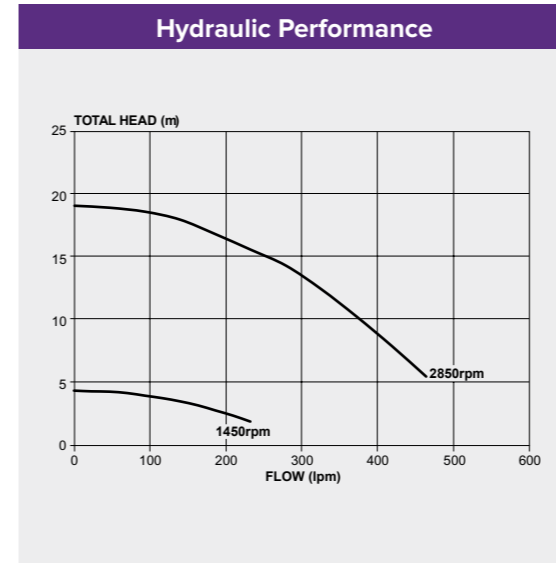
The 6 Star energy efficient pump with 2 speed control for maximum performance. Specifically designed to circulate swimming pool water for filtration, heating and automatic pool cleaning applications. Suitable for pools up to 95,000 litres.

- > **2 speed variable control for maximum performance and efficiency**
- > **See through lid for visibility and easy maintenance**
- > **Extra large leaf basket for longer intervals between cleaning**
- > **Robust and reliable AC motor for longer pump life**
- > **Auto-reset thermal protection to prevent overheating of the motor**
- > **Strong corrosion resistant, UV stabilised materials**
- > **40/50mm ABS quick coupling barrel unions for easy connection and installation**

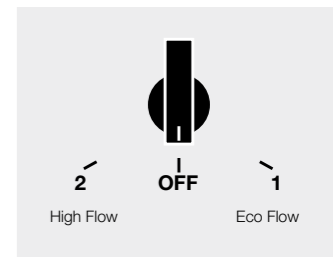


Electrical Data	
Model	H62SP
RPM	Eco Flow Speed – 1450 High Flow Speed – 2850
Enclosure Class (IP)	25
Insulation Class	Class F 155 Insulation
Voltage (V)	240 AC
Supply Frequency (Hz)	50
Run Current (A)	7.1
Motor Input Power (W)	Eco Flow - 279W Hi Flow – 1510W
Motor Output Power (W / hp)	Eco Flow - 223W / 0.3 hp Hi Flow – 1208W / 1.6 hp

Operating Limits	
Maximum water temperature	50°C
Maximum ambient temperature	55°C

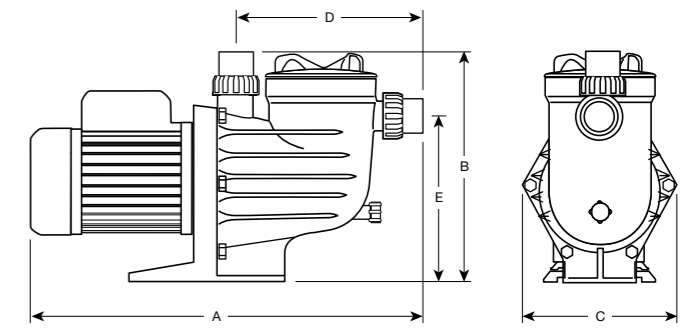


Low Energy Operation:
2 speed settings:
1. **Eco Flow – Lowest Speed**
2. **High Flow – Highest Speed**
Eco Flow mode provides the lowest speed and therefore the greatest energy savings.



Operation	Recommended Speed Setting
Pool filtration	Eco Flow
Automatic pool cleaner operation	High Flow
Backwashing your media filter	
Manually cleaning your pool	
Water feature operation	
Spa jet operation	
Solar pool heating	

Dimensions (mm)									
A	B	C	D	E	Mounting Holes Dia.	Inlet PVC	Outlet PVC	Net Weight (Kg)	
645	330	250	305	246	10	40/50	40/50	15.9	



Features

- > **2 Speed Control**
Switch between Eco Flow (lowest speed) for pool filtration and High Flow for automatic pool cleaning, heating and backwashing applications
- > **Smaller Footprint**
To fit into those tight and confined spaces
- > **Energy Efficient**
Lower emissions, power usage and energy costs compared to single speed pumps
- > **Lower Noise Levels**
Quiet at only 54.3dB, allowing you to run your pump at any time of day or night
- > **4 Year Guarantee**
Peace of mind from an Australian owned, designed and engineered pool pump



8 Star 3 Speed Pump

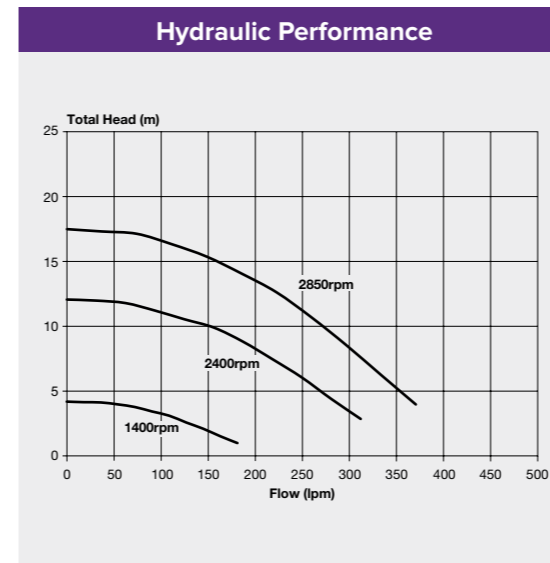
The 8 Star energy efficient pump with 3 speed control for maximum performance. Saves up to 70% of running costs compared to a single speed pump. Specifically designed to circulate swimming pool water for filtration, heating and sanitising applications. Suitable for pools up to 90,000 litres.

- > **3 speed variable control with fully programmable speed options for maximum performance and efficiency**
- > **See through lid for visibility and easy maintenance**
- > **Extra large leaf basket for longer intervals between cleaning**
- > **Advanced technology brushless DC motor for longer pump life**
- > **Auto reset thermal protection to prevent over heating of the motor**
- > **Strong corrosion resistant, UV stabilised materials**
- > **40/50mm ABS quick coupling barrel unions for easy connection and installation**



Electrical Data	
Model	H83SP
RPM	Eco Flow Speed – 1400
	Mid Flow Speed – 2400
	High Flow Speed – 2850
Enclosure Class (IP)	24
Insulation Class	Class B130 Insulation
Voltage (V)	220-240
Supply Frequency (Hz)	50
Run Current (A)	6.3
Motor Input Power (W)	Eco Flow - 168W
	Mid Flow – 679W
	High Flow – 1125W
Motor Output Power (W / hp)	Eco Flow - 127W / 0.2 hp
	Mid Flow – 521W / 0.7 hp
	High Flow – 853W / 1.1 hp

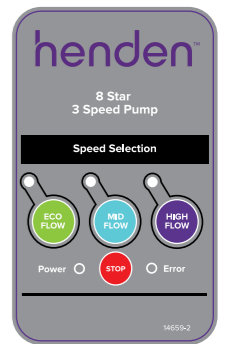
Operating Limits	
Maximum water temperature	50°C
Maximum ambient temperature	55°C



Low Energy Operation:
3 speed settings which are also fully programmable:

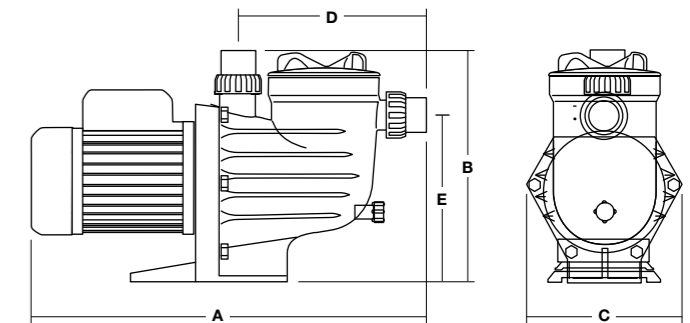
1. **Eco Flow – Lowest Speed**
2. **Mid Flow – Medium Speed**
3. **High Flow – Highest Speed**

Eco Flow mode provides the lowest speed and the greatest energy savings.



Operation	Recommended Speed Setting
Pool filtration	Eco Flow
Automatic pool cleaner operation	Mid Flow
Backwashing your media filter	High Flow
Manually cleaning your pool	
Water feature operation	
Spa jet operation	
Solar pool heating	

Dimensions (mm)									
A	B	C	D	E	Mounting Holes Dia.	Inlet PVC	Outlet PVC	Net Weight (Kg)	
645	330	250	305	246	10	40/50	40/50	15.9	



Features

- > **3 Speed Control**
Switch between Eco Flow (lowest speed) for pool filtration, Mid Flow for pool cleaning and High Flow for all other pool sanitisation and heating applications
- > **Programmable Intelligence**
Fully programmable speed options by adjusting the RPM of the motor from the factory pre-sets for Eco, Mid and High Flow speeds. This maximises your pool efficiency, use and performance.
- > **Energy Efficient**
Lower emissions, power usage and energy costs compared to single speed pumps
- > **Lower Noise Levels**
Quiet at only 60.5dB, allowing you to run your pump at any time of day or night
- > **4 Year Guarantee**
Peace of mind from an Australian owned, designed and engineered pool pump



8 Star 200 & 400 VSD Pump

The premium high efficiency pool pump that operates super quietly. Designed to save money on running costs and ideal for pool filtration, in-floor pool cleaning systems, connection to external pool controllers, heat pumps and gas heaters. Suitable for pools up to 140,000 litres.

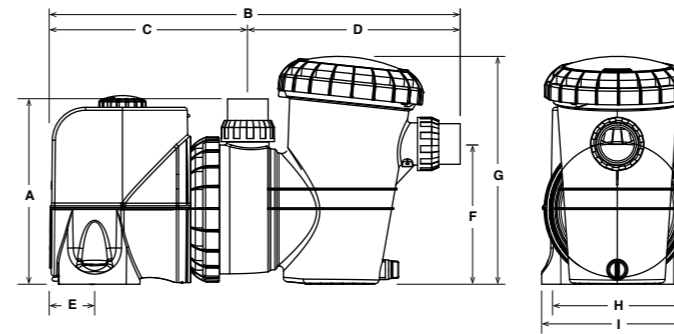


- > Large 4.5 litre lint pot allows for longer intervals between cleaning
- > Fully variable frequency drive with user friendly selectable speed dial
- > Multi-coloured LED indicator light for operating conditions and warnings
- > Loss of prime protection to protect the pump in the event no water is detected
- > Drain plug to enable quick draining of the casing for easy removal and maintenance
- > High performance water cooled motor for super quiet, efficient use all year round
- > Double insulated to water circuit with Equipotential Bonding Point for AS/NZ 3000 wiring standards
- > 40/50mm ABS quick coupling barrel unions for easy connection and installation

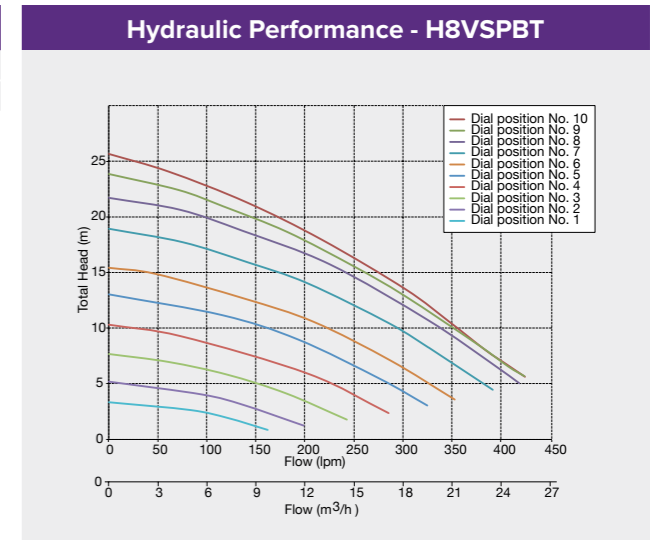
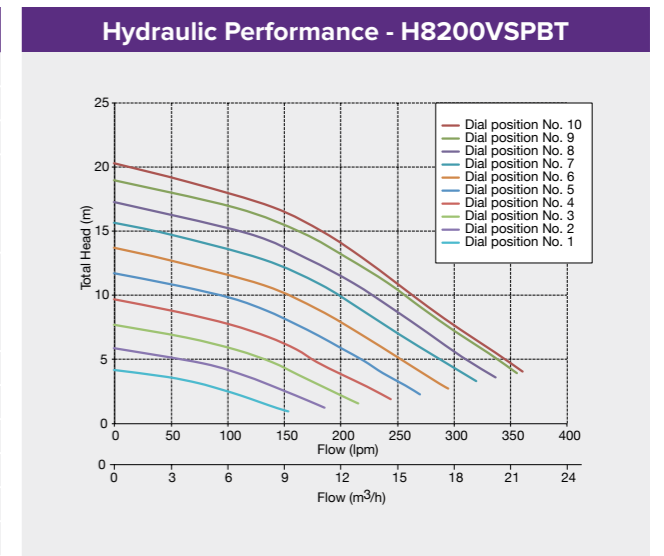


Electrical Data		
Model	H8200VSPBT	H8VSPBT
Voltage (V)	220-240	
Supply frequency (Hz)	50/60	50
Motor input power (W)	128W @ Dial 1 524W @ Dial 5 1,111W @ Dial 10	126W @ Dial 1 728W @ Dial 5 1,639W @ Dial 10
Motor output power (W / hp)	90W / 0.1 hp @ Dial 1 367W / 0.5 hp @ Dial 5 778W / 1 hp @ Dial 10	87.5W / 0.1 hp @ Dial 1 506.8W / 0.7 hp @ Dial 5 1220W / 1.6 hp @ Dial 10
Motor speed (rpm)	1,500 to 3,600	1,050 to 3,100
Backwash (rpm)	Variable speed	
Enclosure class (IP)	45	
Insulation class	F	
Power lead length	3m	
Approval No.	SGS-150025-EA	

Operating Limits	
Maximum water temperature	40°C
Maximum ambient temperature	50°C

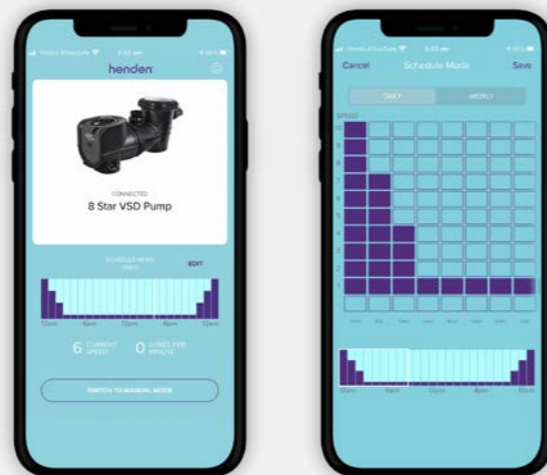


Dimensions (mm)											
A	B	C	D	E	F	G	H	I	Mounting Holes Diameter	Inlet/Outlet PVC	Net Weight (kg)
305	670	320	350	65	230	380	200	250	10	40/50	14



Features

- > **Bluetooth enabled**
To allow setup and control functionality from your iOS or Android smartphone
- > **Programmable schedules**
Schedule hourly run times at desired speed for every day or every week via Bluetooth app
Fully flexible to suit most applications
Improves surface skimming capabilities



400 Model Only

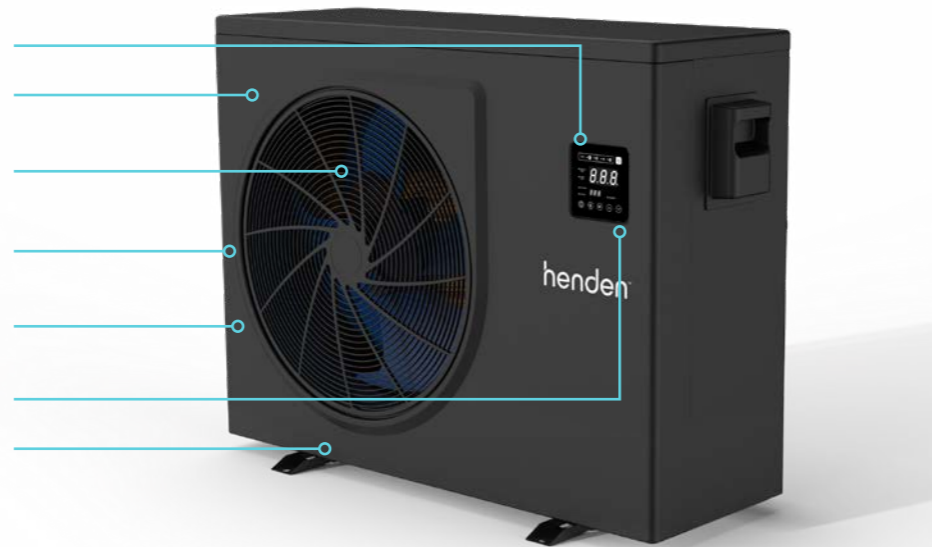
- > **High performance water cooled motor**
Captures noise and vibrations, allowing you to run your pump at any time of day or night
Does not require air ventilation, giving more flexibility with positioning
Any waste heat generated is transferred into the pool water, helping reduce pool heating costs
- > **Backwash speed cycling technology**
For effective media cleaning and reducing waste water when backwashing
- > **4 Year Guarantee**
Peace of mind from an Australian owned, designed and engineered pool pump
- > **Constant flow/speed compensation**
As debris starts to build up in the filter, pressure in the system builds up, and this reduces the flow the pump produces. Uses intelligent technology to overcome this and automatically ramps up the speed of the motor to maintain the same flow
- > **Weatherproof RJ45 communication port**
For speed adjustment via connection to a Henden Water Quality Hub, gas heater or heat pump



Henden Inverter Heat Pump

Harness the power of this high performing heat pump. Built with inverter technology for energy efficiency and designed for super quiet operation, this sleek and compact heat pump is perfect for Australian residential pools.

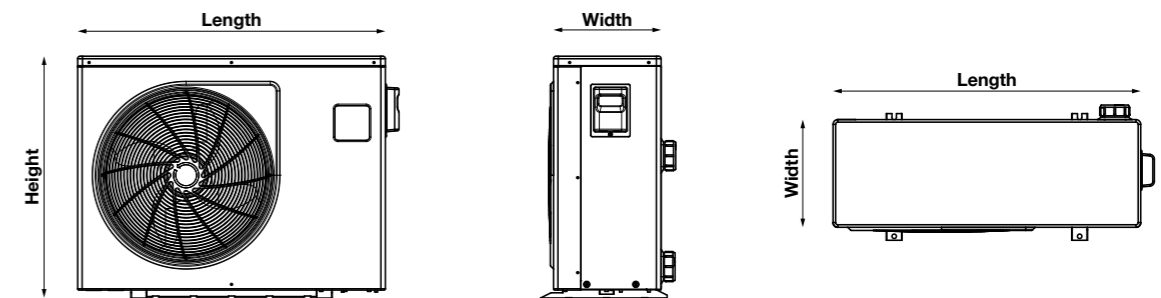
- > Intuitive LED touch display for ease of use
- > UV protected and ABS corrosion-resistant casing for increased longevity
- > Noise-reducing fan blades for super quiet operation
- > Full DC inverter compressor for increased efficiency
- > Uses environmentally friendly R32 refrigerant gas
- > Built-in timer modes for user flexibility
- > Condensation hose port for simple drainage



Performance					
Performance at conditions: Air 27°C / Water 26°C / Humidity 80%					
Heater Model	9kW	13kW	15kW	20kW	24kW
Heating capacity (kW)	1.8 - 9	2.6 - 13.5	2.9 - 15.4	3.7 - 20	6.5 - 24.3
Power input (kW)	0.17 - 1.55	0.24 - 2.33	0.27 - 2.7	0.3 - 3.3	0.45 - 3.74
COP range	10.7 - 5.8	10.8 - 5.8	10.7 - 5.8	12 - 6.1	12.2 - 6.2

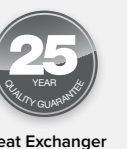
Technical Specifications					
Heater Model	9kW	13kW	15kW	20kW	24kW
Power supply	230v / 1Ph / 50Hz	230v / 1Ph / 50Hz	230v / 1Ph / 50Hz	230v / 1Ph / 50Hz	230v / 1Ph / 50Hz
Electrical connection	10A	15A	Hardwired	Hardwired	Hardwired
Maximum input current (A)	8	12	14	17	19
Casing	ABS	ABS	ABS	ABS	ABS
Water connection	40mm	40mm	40mm	40mm	40mm
Sounds pressure 1m dB(A)	41 - 52	41 - 52	44 - 55	43 - 56	45 - 56
Ideal water flow	50 lpm	75 lpm	80 lpm	100 lpm	140 lpm

Dimensions					
Heater Model	9kW	13kW	15kW	20kW	24kW
Length x width x height	888 x 319 x 609mm	888 x 319 x 609mm	972 x 340 x 766mm	1145 x 465 x 840mm	1115 x 428 x 825mm
Weight	43kg	50kg	61kg	74kg	92kg



Features

- > **Built with full DC Inverter Compressor**
For quick heating and optimal performance when you need it.
- > **Quiet Operation**
Uniquely shaped fan blades and inverter technology make this one of the quietest heat pumps on the market.
- > **Sleek Design**
Fits easily in any backyard space, whether it's next to the pool or down the side of the house.
- > **Titanium Heat Exchanger**
Allows for optimal heat transfer and increased operating efficiency. Featuring a strong anti-corrosive coating, this heat exchanger works in all levels of water chemistry.
- > **Energy Efficient**
A performance-focused design using R32 refrigerant means energy savings for your customers, resulting in lower running costs.
- > **Wi-Fi enabled**
Built in Wi-Fi and app compatibility makes managing the heat pump simple.



Heat Pump

by Nirvana

This high performance heat pump is ideal for in-ground and above ground swimming pools, spas, swim spas, plunge pools and light commercial applications.

- > **Swept wing fan blades designed to reduce noise**
- > **Electronic control board easy to use**
- > **Ultra-resistant composite cabinet provides durability and easy care**
- > **Oversized blue fin protected evaporator for better performance**
- > **R410A Refrigerant environmentally friendly, clean and efficient**
- > **Corrosion inhibiting treatments inside the unit and electronic box**
- > **Acoustic cover that protects compressor and reduces noise**
- > **Auto defrost, electronic and intelligent**



Performance Data*									
Model	27°C 80% 27°C**		27°C 63% 27°C**		10°C 63% 27°C**		Minimum Flow Rate (lpm)	Maximum Flow Rate (lpm)	Optimum Flow Rate (lpm)
	kW	COP	kW	COP	kW	COP			
HHP16B/HHP16C	16	6.6	15	6.4	10.5	4.4	160	300	265
HHP23B/HHP23C	23.5	6.6	22	6.4	14.5	4.5			
HHP28B/HHP28C	28	6.4	27	6.2	19	4.3			
HHP35B/HHP35C	35	6.2	32.5	6.0	23	4.2			

Dimensions					
Model	Height (mm)	Width (mm)	Length (mm)	Weight (kg)	Water Connections
HHP16B/HHP16C	770	970	990	90	50mm
HHP23B/HHP23C	970	970	990	110	
HHP28B/HHP28C	970	970	990	112	
HHP35B/HHP35C	1070	970	990	114	

Technical Data					
Heat Exchanger	Control Board	Defrost Mode	Compressor Type	Cabinet	Refrigerant
Titanium Double Coil	Digital	Passive	Scroll	Injected polypropylene composite reinforced with fibreglass	R410A

Warranty	
Component	Coverage
Labour	1 year
Parts	3 years
Compressor	5 years
Titanium coil	10 years
Cabinet	15 years

Electrical Data			
Model	Phase	Amp Total	Min. Circuit Current (Amp)
HHP16B/HHP16C	1	14.7	21.5
HHP23B/HHP23C	1	23.2	34.5
HHP28B/HHP28C	1	28.6	40.0
HHP35B/HHP35C	3	15.7	15.7

Features

- > **Scroll Compressor Technology**
Provides unparalleled efficiency along with quiet, sustainable and proven reliability
- > **Thermostatic Expansion Valve**
The thermostatic valve regulates the supply of refrigerant to the evaporator based on weather conditions to maximise performance
- > **Heat Exchanger**
Our unique double coil heat exchange is manufactured from titanium to produce optimal heat transfer while resisting corrosion and erosion. It is excellent for all common pool chemical systems including salt water, mineral salt and chlorine.
- > **Variable Speed Drive Fan**
The variable speed drive fan has three modes to choose from:
Quiet mode – keeps the fan speed low and reduces the output of the unit
Smart mode – varies the fan speed to get maximum output relative to outside temperatures
Boost mode – increases thermal output of the unit
- > **Compatibility**
Equipped with a Wi-Fi card for communication with the Henden Smart Chlorinator.

Important notes

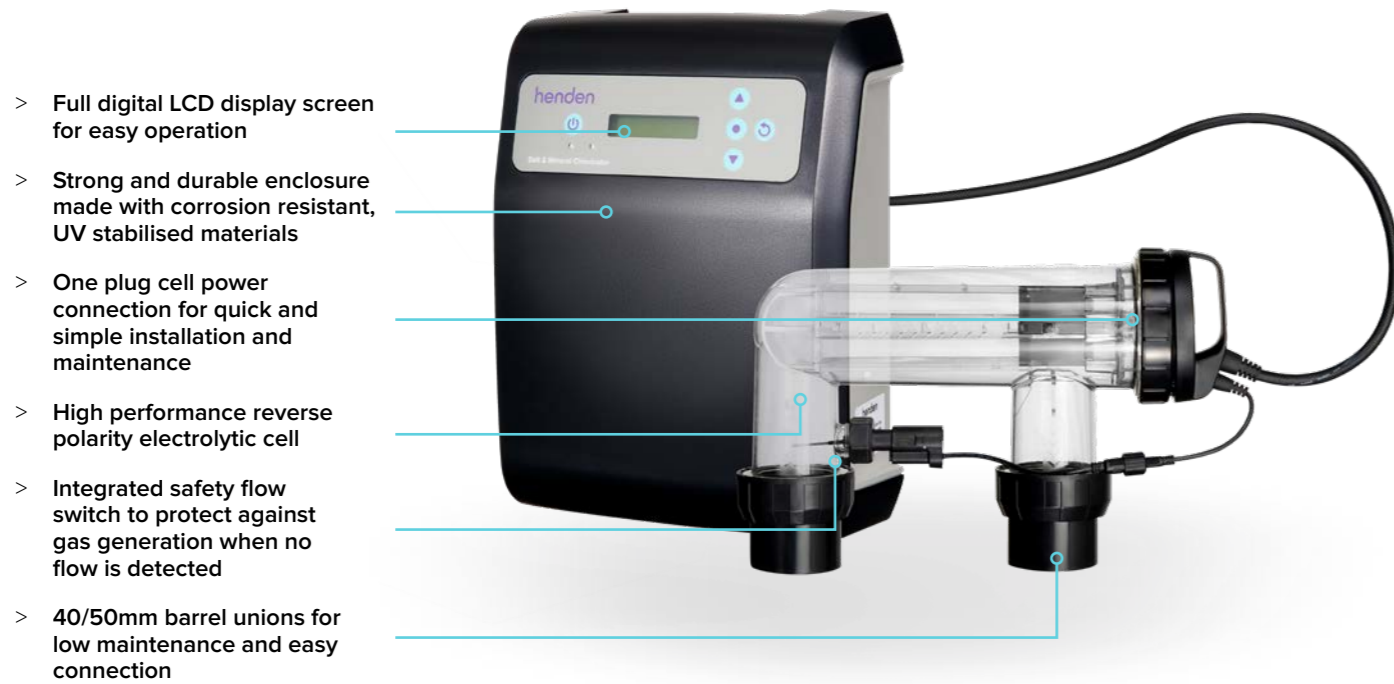
- > **Low operating costs**
At low temperatures, every bit of energy efficiency matters as that's when your heat pump works the hardest. The Henden heat pump by Nirvana has the highest ranked coefficient of performance as certified by the AHRI at low ambient temperatures, which means the lowest total running costs.

* Reference only, results may change based on ambient air temperatures the use of a pool cover, location and region of the installation.
 ** Rated in accordance to AHRI standard 1160: ambient air temperature (°C) humidity (%) | pool water temperature (°C).



Salt and Mineral Chlorinator

Sanitise pools with your choice of salt water or mineral water for highly crystal clear water. Ideal for in-ground and above ground residential pools, plunge pools and large swim spas up to 175,000 litres.



- > Full digital LCD display screen for easy operation
- > Strong and durable enclosure made with corrosion resistant, UV stabilised materials
- > One plug cell power connection for quick and simple installation and maintenance
- > High performance reverse polarity electrolytic cell
- > Integrated safety flow switch to protect against gas generation when no flow is detected
- > 40/50mm barrel unions for low maintenance and easy connection

Sanitiser Output					
Model	Chlorine Gas Production (g/hr 100%)	Calcium Hypochlorite (g/hr 65% equivalent)	Maximum Pool Size (Litres)		
			Cool Climates <25°C	Temperate Climates 25°C to 30°C	Tropical Climates >30°C
HSMC15	15	23	60,000	45,000	30,000
HSMC25	25	38	110,000	80,000	55,000
HSMC35	35	53	160,000	110,000	80,000

Dimensions								
Controller				Cell Housing				
Height (mm)	Width (mm)	Depth (mm)	Mounting holes (mm)	Height (mm)	Width (mm)	Diameter	Inlet	Outlet
320	240	113	164	239	390	119	50	50

Electrical Data All Models	
Voltage (V)	220-240
Phase	1
Supply Frequency (Hz)	50/60
Enclosure Class (IP)	34
Approval No.	GMA-504803-EA

Warranty	
Component	Coverage
Power Supply	4 years
Electrolytic Cell	3 years

Features

Energy Efficient Modes

- > Spa – reduces chlorine output by 80% of the chlorinator’s manual chlorine output setting
- > Cover – reduces chlorine output by 80% of the chlorinator’s manual chlorine output setting **(with added functionality to remotely switch to this mode using an automated pool cover controller)**
- > Boost – sets chlorine output to 100% for 24 hours and overrides the chlorinator’s manual chlorine output setting

- > Winter – reduces cell current output to 85%, the chlorinator’s manual chlorine output setting remains the same
- > Alarms for add salt, low salt and no flow
- > Two independent timers
- > Adjustable chlorine output in 5% increments
- > Extended memory save with battery blackout protection
- > Switchmode power supply to minimise wasted energy
- > Operating Salt Level: 3,000 – 6,000ppm

Important notes

In 'hard water' applications (above 275ppm), reverse polarity systems will require regular (monthly) inspection and manual cleaning.

If using mineral salts in areas with hard water, reverse polarity systems may require occasional manual cleaning. Mineral salts can form scale on the cell that isn't removed through the polarity reversal process, therefore more frequent manual cleaning may be required. In some cases this scale is soft enough to remove with a strong jet of water if acid cleaning proves ineffective.

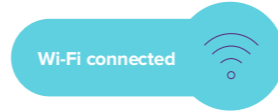
The appropriate chlorinator size for your pool is dependent on the local climate and the bather load of the pool. Please note that chlorinator cell life can be increased with shorter running times during winter and lower output settings. Henden recommends that a chlorinator is run for between 6-8 hours a day during summer, and between 2-4 hours during winter.



Power supply warranty

Smart Chlorinator

Combining all the great features of the Henden Salt and Mineral Chlorinator with the innovative Henden Water Quality Hub, this intelligent unit allows you to test, monitor and maintain the quality of the pool's water. The Henden Smart Chlorinator is the complete system to manage your pool's health on the go.



- > Full digital LCD display screen for easy operation
- > Strong and durable enclosure made with corrosion resistant, UV stabilised materials
- > Plug and play system for easy installation
- > Integrated safety flow switch to protect against gas generation when no flow is detected
- > High performance reverse polarity electrolytic cell
- > One plug cell power connection for quick and simple installation and maintenance
- > 40/50mm barrel unions for low maintenance and easy connection



Model	Chlorine Gas Production (g/hr 100%)	Calcium Hypochlorite (g/hr 65% equivalent)	Sanitiser Output		
			Maximum Pool Size (Litres)		
			Cool Climates <25°C	Temperate Climates 25°C to 30°C	Tropical Climates >30°C
HSMARTCHLOR15	15	23	60,000	45,000	30,000
HSMARTCHLOR15	25	38	110,000	80,000	55,000
HSMARTCHLOR15	35	53	160,000	110,000	80,000

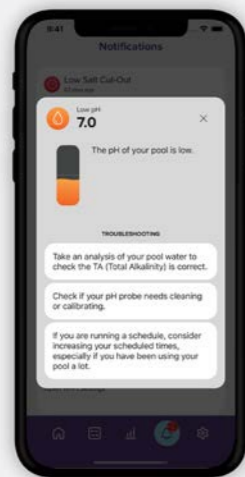
Dimensions												
Salt and Mineral Chlorinator				Water Quality Hub				Cell Housing				
Height (mm)	Width (mm)	Depth (mm)	Mounting holes (mm)	Height (mm)	Width (mm)	Depth (mm)	Mounting holes (mm)	Height (mm)	Width (mm)	Diameter	Inlet	Outlet
320	240	113	164	153	240	97	164	239	390	119	50	50

Electrical Data All Models	
Voltage (V)	220-240
Phase	1
Supply Frequency (Hz)	50/60
Enclosure Class (IP)	34
Approval No.	GMA-504803-EA

Warranty	
Component	Coverage
Control Unit	4 years
Power Supply	4 years
Electrolytic Cell	3 years
Acid Dosing Pump	12 months
Probes	6 months

Features

- > **Wi-Fi Connectivity**
With a fully integrated app for remote monitoring and control directly from your iOS or Android smartphone
- > **App Functions**
Receive notifications on the status of the unit and condition of the pool's water
Switch between modes and set timers
Troubleshoot chemistry issues with simple recommendations
Control your Henden Heat Pump and Henden 400 VSD Pump



- > **pH Probe**
Monitors and maintains pH by controlling acid dosing, to achieve chosen set-point
- > **ORP Probe**
Monitors and maintains ORP by controlling cell output, to achieve chosen set-point
- > **Salt/Temperature Probe**
Reports and sends alerts on the salt and temperature level of the pool's water
- > **Probe Housing**
Includes a unique manifold to house the probes, with an injection point for acid
Eliminates unnecessary pipework for quick and easy installation
Ensures accurate probe readings
- > **Acid dosing pump included**
Allows you to maintain pH by controlling the dosage of diluted acid

Important notes

In 'hard water' applications (above 275ppm), reverse polarity systems will require regular (monthly) inspection and manual cleaning.

If using mineral salts in areas with hard water, reverse polarity systems may require occasional manual cleaning. Mineral salts can form scale on the cell that isn't removed through the polarity reversal process, therefore more frequent manual cleaning may be required. In some cases this scale is soft enough to remove with a strong jet of water if acid cleaning proves ineffective.

The appropriate chlorinator size for your pool is dependent on the local climate and the bather load of the pool. Please note that chlorinator cell life can be increased with shorter running times during winter and lower output settings. Please note, chlorinator sizing is a guide only. The Chlorinator model for any given pool size (litres), is based on an average 8 hours run time.

- > **Modes for every application**
Includes Spa, Cover, Boost and Winter modes as featured in the Salt and Mineral Chlorinator
Adds Backwash, Maintenance and Service modes to ensure safety when backwashing a media filter and carrying out maintenance or service in the pool equipment area
- > **Controls your Henden Heat Pump**
When connected via RJ45, controls the temperature to maintain chosen set-point and on/off function
- > **Controls your Henden 400 VSD Pump**
When connected via RJ45, controls speed, preferences, backwash and on/off function



Control unit warranty

Mineral Salt & Activator

The Mineral Salt and Mineral Activator create soft and natural feeling water, providing a luxurious therapeutic experience in the pool. A unique blend of minerals that can be used with all Henden chlorinators.

- > Add to either new or existing pools
- > Can be used in conjunction with all Henden chlorinators
- > Simple and easy to add to your pool



Dosage Rate Instructions

Converting Existing Salt Pools	
Pool Size (Litres)	Henden Mineral Salt (15 kg bags)
Up to 5,000	1 Bag = 15kg
Up to 10,000	2 Bags = 30kg
Up to 15,000	3 Bags = 45kg
Up to 20,000	4 Bags = 60kg
Up to 25,000	5 Bags = 75kg
Up to 30,000	6 Bags = 90kg
Up to 35,000	7 Bags = 105kg
Up to 40,000	8 Bags = 120kg
Up to 45,000	9 Bags = 135kg
Up to 50,000	10 Bags = 150kg
Up to 55,000	11 Bags = 165kg
Up to 60,000	12 Bags = 180kg
Up to 65,000	13 Bags = 195kg
Up to 70,000	14 Bags = 210kg
Up to 75,000	15 Bags = 225kg

New Mineral Salt Pools		
Pool Size (Litres)	Henden Mineral Salt (15 kg bags)	Henden Mineral Activator (15 kg bags)
Up to 5,000	1 Bag = 15kg	1 Bag = 15kg
Up to 10,000	2 Bags = 30kg	2 Bags = 30kg
Up to 15,000	3 Bags = 45kg	3 Bags = 45kg
Up to 20,000	4 Bags = 60kg	4 Bags = 60kg
Up to 25,000	5 Bags = 75kg	5 Bags = 75kg
Up to 30,000	6 Bags = 90kg	6 Bags = 90kg
Up to 35,000	7 Bags = 105kg	7 Bags = 105kg
Up to 40,000	8 Bags = 120kg	8 Bags = 120kg
Up to 45,000	9 Bags = 135kg	9 Bags = 135kg
Up to 50,000	10 Bags = 150kg	10 Bags = 150kg
Up to 55,000	11 Bags = 165kg	11 Bags = 165kg
Up to 60,000	12 Bags = 180kg	12 Bags = 180kg
Up to 65,000	13 Bags = 195kg	13 Bags = 195kg
Up to 70,000	14 Bags = 210kg	14 Bags = 210kg
Up to 75,000	15 Bags = 225kg	15 Bags = 225kg

Benefits

- > Moisturises skin as you swim
- > Gentle on sensitive skin
- > Helps draw out impurities from the skin
- > Natural relief for muscular complaints
- > Aids in relaxation of the nervous system
- > Assists in reducing stress and anxiety
- > Absorbed easily into skin tissue
- > Produces a mild flocking agent, enhancing water quality and the whole bathing experience

Important notes

When the need arises to top up your pool with Henden Mineral Salt or Henden Mineral Activator, due to dilution through rainfall or backwashing, Henden recommends you use equal quantities of Mineral Salt to Mineral Activator (ratio 1:1) and that you maintain your TDS level between 4,000 and 6,000ppm. This will ensure your mineral pool water stays soft, silky and crystal clear.

After adding Henden Mineral Salts to your pool, the water may temporarily have discolouration and form clusters of foam on the surface. This is completely normal and is part of the mineralisation stage and transformation process. This may last up to 4 days, however after this time, your pool will return to normal and become crystal clear and clean. It is recommended that you run your filter pump for a minimum 24 hours after the addition of Henden Mineral Salts.

pH Dosing Pump

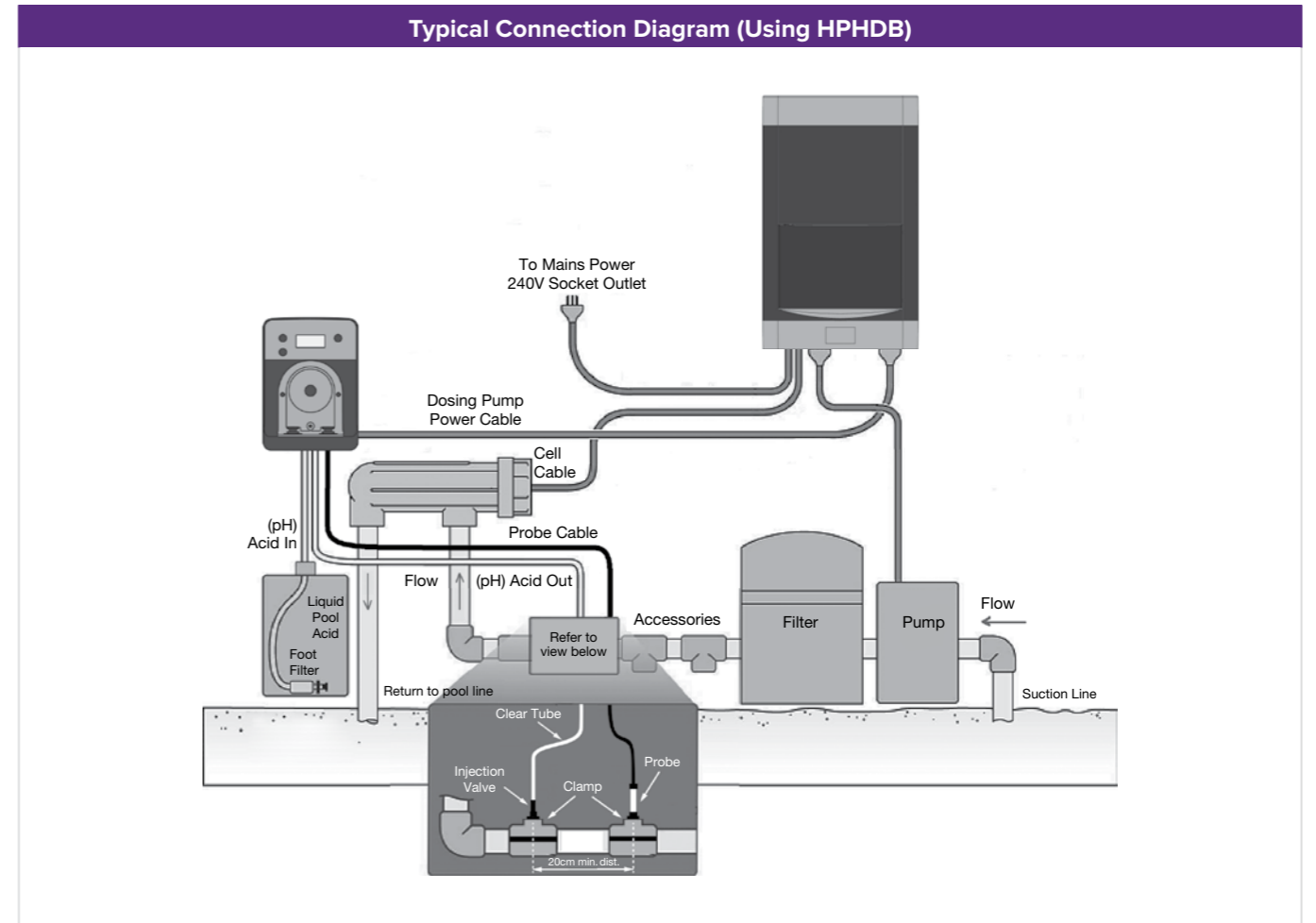
Keep the pool's pH in check with an automatic acid dosing pump. For crystal clear and clean water in residential pools all year round.

- > pH and calibration settings for simple operation
- > Digital LCD display for easy operation
- > Built with strong corrosion and UV resistant materials for long service life
- > Strong and durable corrosion resistant Tygon peristaltic tube and roller holder
- > Improved, large diameter tube allows a higher volume of acid to pass through



Model	Description	Features	Depth	Width	Height
HPHDB	Stand alone acid dosing pump for automatic pH control (Australia only)	Approved C38, 3 pin piggy back plug and lead	120mm	105mm	140mm

Electrical Data – All Models			
Voltage (V)	Supply Freq/Phase	Enclosure Class IP	Approval #
230-240	50/60Hz/1	IPX4	SGS-131220-EA



Features

- > Automatically doses and maintains safe pH acid levels in your pool
- > Compliments and assists in the disinfection of salt water chlorinators, chlorine and liquid chlorine systems
- > Low maintenance, less chemicals to handle and use
- > Plug and play system for easy installation
- > Has alarms for low and high pH which stop the pump and displays the current status
- > 100% compatible with pool acid commonly used to help balance your pool pH levels
- > Suitable for aftermarket and other non Henden chlorinators*
- > 2 year warranty

Important notes

* For installation information and advice on connecting with Henden and non Henden Chlorinators, please read the installation and operating instructions supplied with the product.

The pH controller automatically doses a diluted acid solution into the pool when the pH level needs to be reduced. The peristaltic pump draws this diluted acid from a container in which the solution is mixed.

Use the table below to determine what water/acid ratio is recommended for your pool, in an approved 20 litre Hydrochloric Acid container.

IMPORTANT:
KEEP BARE HANDS AWAY FROM POOL ACID AND ALWAYS USE CAUTION WHEN HANDLING POOL CHEMICALS.

Pool Size	Recommended Water/Acid Dilution Ratio		Volumes for a Suitable 20 Litre Container	
	Water (parts)	Acid (parts)	Water (Litres)	Hydrochloric Acid (litres)
Up To 100,000 litres	5	1	17	3
Above 100,000 to 160,000 litres	3	1	15	5

Note: These ratios are based on Hydrochloric Acid strength of 28% and should not be any greater than this percentage. Please ensure that you keep the storage area of the acid well ventilated and ensure you use a suitable container with resistance to Hydrochloric Acid. These containers can be purchased at pool stores.



Cartridge Filter

This high performance cartridge filter has been specifically designed for the water-conscious filtration in all salt, mineral salt and fresh water pools. For sparkling pools up to 90,000 litres.

- > Automatic air bleed to purge trapped air during filtration
- > Durable polyurethane end caps reinforced to support pleats and protect the element
- > 20-50 micron rating filtration for high water quality
- > High quality Du Pont polyester mesh for clog free, long life
- > Large spaces between pleats for easy cleaning and long filtration cycles
- > ABS tank construction is robust, UV resistant and non-corrosive for long life
- > ABS barrel unions for simple installation

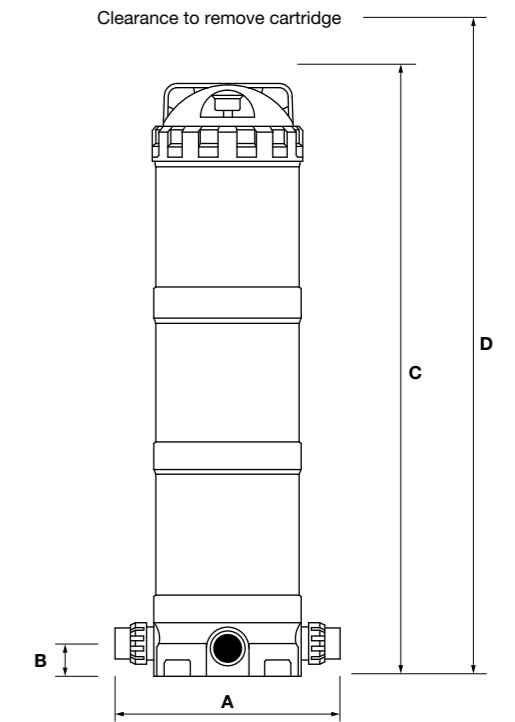


Performance Data & Media Required					
Model	Filtration Area (m ²)	Filtration Area (ft ²)	Maximum Flow Rate (lpm)	6 Hour Turnover* (litres)	8 Hour Turnover** (litres)
HCF100	9.29	100	400	144,000	192,000
HCF150	13.93	150	450	162,000	216,000

Operating Limits	
Maximum water temperature	50°C
Maximum operating pressure	280kPa

Dimensions (mm)						
Model	A	B	C	D	Inlet PVC	Outlet PVC
HCF100	330	60	635	1000	40/50	40/50
HCF150			820	1360		

Replacement Filter	
Model	Replacement Filter P/N
HCF100	Q2312HSP
HCF150	Q2313HSP



Features

- > The filter lid is retained by a lock ring which enables easy access for element cleaning
- > Low profile design means elements are easier to lift out for cleaning and require less height for installation
- > The element is constructed of Du Pont Reemay which is recognised for its excellent filtration and long life
- > A quality pressure gauge makes it easy to see when element cleaning is required
- > A manual air bleed enables the filter to be de-pressurised before opening for cleaning
- > A choice of two inlet ports enables the inlet plumbing to be installed at either 90° or 180° to the outlet for greater flexibility in installation
- > Less water used, no backwashing needed
- > Perfect for use with energy efficient pool pumps
- > Replacement filter elements available
- > 10 year warranty

Important notes

* Figure based on 6 hour turnover @12.5m head.
 ** Figure based on 8 hour turnover @12.5m head.



Media Filter

A premium and industry-leading fibreglass media filter designed for water-conscious filtration in all salt, mineral salt and fresh water pools. For sparkling pools up to 100,000 litres.

- > Quality 6-way multiport valve, integrated sight glass and liquid filled pressure gauge for optimum filter control
- > Cylindrical shape provides the most efficient filtration operation and up to 370 kPa operating pressure
- > Long life UV stabilised, filament wound fibreglass tank
- > Large media area for better filtration with high efficiency
- > Specially designed T-Laterals and hub assembly to optimise water flow for efficient filtration and backwashing
- > Robust ABS barrel unions for easy installation and maintenance

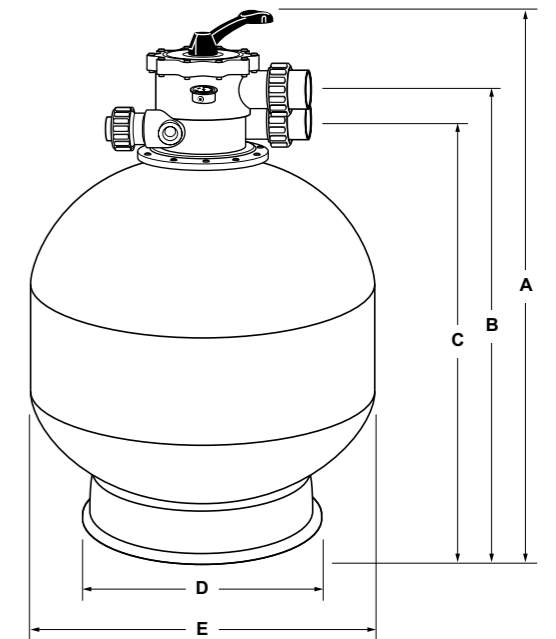


Performance Data & Media Required										
Model	Size (inches)	Multiport Valve	Sand Required (bags)	Zelbrite Required (bags)	Glass Required		Maximum Flow Rate (lpm)	Minimum Backwash Flow Rate (lpm)	6 Hour Turnover (litres)	Filtration Area (m2)
					Fine/Medium (bags)	Medium/Coarse (bags)				
HMF2140B	21"	40mm	5	5	3	2	185	123	66,600	0.22
HMF2540B	25"	40mm	8	8	5	3	260	173	93,600	0.32
HMF2550B	25"	50mm	8	8	5	3	305	173	109,800	0.32
HMF2850B	28"	50mm	11	11	6	4	336	224	120,960	0.38

Operating Limits	
Maximum water temperature	40°C
Maximum operating pressure	370kPa

Dimensions (mm)								
Model	A	B	C	D	E	Inlet PVC	Outlet PVC	Waste PVC
HMF2140B	867	731	671	497	524			40
HMF2540B	967	831	771	497	635			40
HMF2550B	1017	863	783	497	635			50
HMF2850B	1080	926	846	497	700			50

Warranty	
Component	Coverage
Tank	10 years
Multiport Valve	3 years



Features

- > Virtually maintenance free and easy to use
- > Constructed from strong corrosion and UV resistant bobbin-wound reinforced fibreglass, providing long and reliable working life
- > Large diameter tank for maximum filtration area
- > Built-in waste port sight glass for high visibility of water during backwashing
- > Stainless steel liquid filled pressure gauge makes it easy to see when backwashing is required
- > Suitable for sand, glass and Zelbrite media



Tank warranty

Glass Media

Convenient and hassle-free filtration media for brighter and clearer swimming pools and spas. Ideal filtration media for in-ground and above ground pools.



> **FINE/MEDIUM**
Grain size 0.75 to 1.7mm

> **MEDIUM/COARSE**
Grain size 1.7mm to 3.0mm

Zelbrite Media

High performance natural filtration media for brighter and clearer swimming pools and spas. Ideal filtration media for in-ground and above ground pools. Zelbrite upgrades standard sand filters into high performance water purifiers.



> **Natural zeolite mineral**
Grain size 0.5 to 2mm

Features

- > **100% crushed recycled glass**
Hasn't been in contact with any food or beverage grade materials or products. Bacteria cannot flourish or grow within our unique glass media
- > **Non harmful to breathe**
Glass is not a carcinogenic product, creating a safer environment for all
- > **Cuts chemical usage by up to 50%**
Due to the self sterilisation nature of the glass and an oxidation process that takes place when water passes over the glass. Lowers the consumption of chlorine and coagulants
- > **Outstanding performance**
Real cost benefits over the life of a filter
- > **Up to 25% less water to backwash**
Better permeability results in easier and less backwashing time. Provides a 25% improvement in turbidity removal over sand media
- > **Less likely to block or channel**
Will not support moss or fungus growth in the media

Features

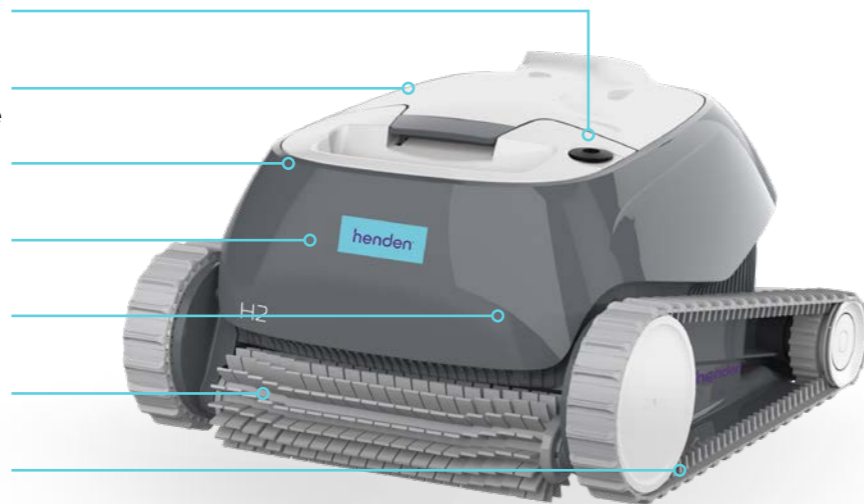
- > Higher dirt holding capacity and the ability to remove finer particles than traditional sand and DE filters
- > Provides cleaner pool water that is visibly brighter and clearer
- > Reduces need for backwashing, saving water
- > Zelbrite performs chemical ion exchange to absorb ammonia, making the pool water safer and more appealing
- > Hard grains of Zelbrite ensure that it remains effective within the filter for over five years
- > No modifications are required to standard sand filters to accept Zelbrite
- > Zelbrite can be simply recharged to keep it performing at best
- > Natural 'buffering' characteristics of Zelbrite and the resulting lower use of disinfectants allows a lower use of chemicals for pH control
- > Zelbrite lowers the output required from salt water chlorinators, extending the cell plate life

Note: May contain traces of clay and fine particles - thoroughly backwash and rinse before first filter cycle

Henden H2 Robotic Pool Cleaner

The Henden H2 is our most affordable Robotic Pool Cleaner. Easy to use, it takes all the effort out of maintaining a perfect pool. The clever navigation technology ensures floors and walls are cleaned effectively, every time. Designed for easy use and maintenance, the H2 is a quality piece of pool equipment, guaranteed to last.

- > On/Off power supply for simple operation
- > Clever scanning and navigation technology for an effective cleaning route
- > Additional ultra-fine filters for a deeper clean
- > Easy to clean filter basket for simple maintenance
- > 15m cable length for pools up to 10m long
- > All terrain brush with active scrubbing technology
- > Dual tracks for continuous traction

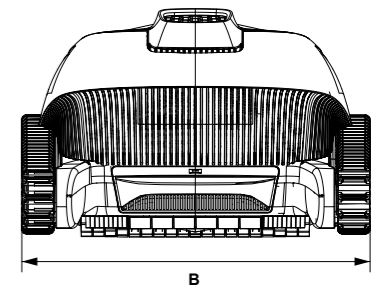
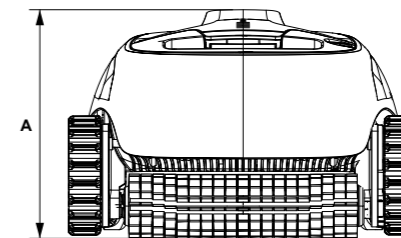
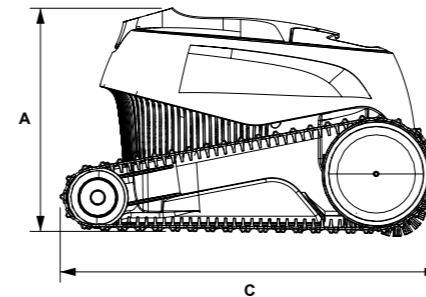


Water Conditions	
Chlorine Maximum	4 ppm
pH Range	7.0–7.8
Temperature Range	6–34°C
Salinity Maximum	5000 ppm
Minimum Depth	0.80m/2.6ft
Maximum Depth	5m/16.4ft

Electrical Data	
Digital Power Supply Input:	200-230 AC Volts, 50-60 Hertz
Digital Power Supply Output	<30 VDC
Motor Protection	IP54

Pool Suitability	
Ideal Pool Length	Up to 10 metres
Cable Length	15 metres
Cycle Time	2 hours
Cleaning Coverage	Floor and walls

Dimensions	
A (Height)	250mm
B (Width)	400mm
C (Length)	425mm
Weight	6.5kg



Features

- > **2 Hour Cleaning Cycle**
The quick cleaning cycle makes maintaining a pool easier than ever.
- > **Clever Scanning and Navigation Technology**
The combination of clever scanning software and a built-in navigation system, ensures pools are cleaned in using the most effective route, every time.
- > **Ultra-Fine Filtration**
The additional ultra-fine filters provided ensure a deep clean, every time.

Kit Components

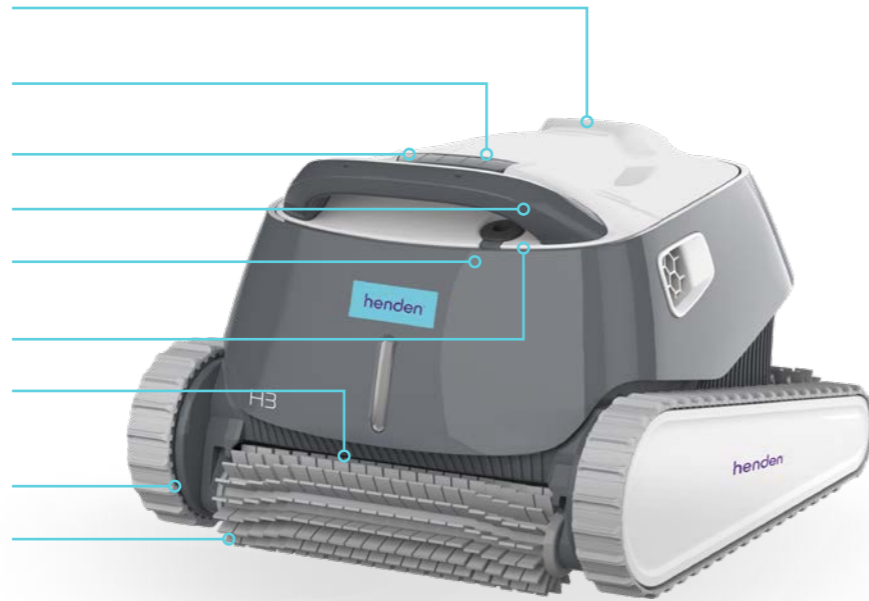
- > H2 Robotic Pool Cleaner
- > Ultra-Fine Filters
- > H2 Power Supply
- > Filter Basket



Henden H3 Robotic Pool Cleaner

The Henden H3 is our most advanced Robotic Pool Cleaner. Packed with intelligent features to keep your pool sparkling all year around. Active scrubbing and clever navigation technology deliver the best cleaning result across floor, walls and waterline. Designed for easy use and maintenance, the H3 is a quality piece of pool equipment, guaranteed to last.

- > Clever scanning and navigation technology for an effective cleaning route
- > Pop up filter basket for simple maintenance
- > Ultra-fine filters for a deeper clean
- > Grab handle for easy use
- > On/Off power supply with weekly timer for convenient operation
- > 18m cable length for pools up to 12m long
- > All terrain front and rear brush system with active scrubbing technology for an enhanced clean
- > Dual tracks for continuous traction
- > Fast, clean water release for ease of use

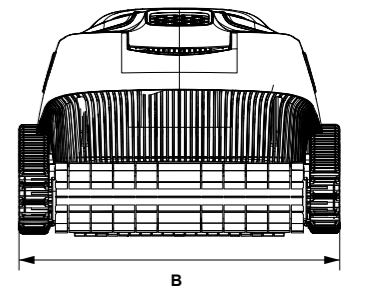
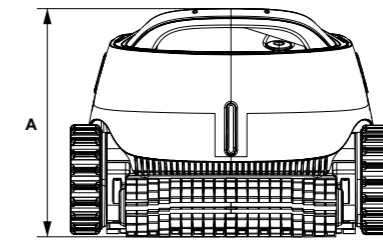
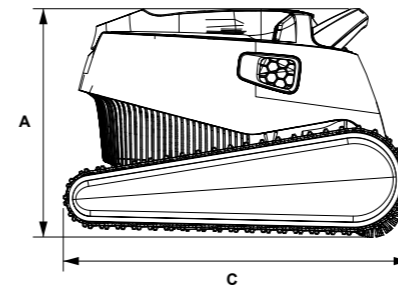


Water Conditions	
Chlorine Maximum	4 ppm
pH Range	7.0–7.8
Temperature Range	6–34°C
Salinity Max	5000 ppm
Minimum Depth	0.80m/2.6ft
Maximum Depth	5m/16.4ft

Electrical Data	
Digital Power Supply Input:	200-230 AC Volts 50-60 Hertz
Digital Power Supply Output	<30 VDC
Motor Protection	IP54

Pool Suitability	
Ideal Pool Length	Up to 12 metres
Cable Length	18 metres
Cycle Time	2 hours
Cleaning Coverage	Floor, walls and waterline

Dimensions	
A (Height)	300mm
B (Width)	400mm
C (Length)	430mm
Weight	7.5kg



Features

- > **2 Hour Cleaning Cycle**
The quick cleaning cycle makes maintaining a pool easier than ever.
- > **Clever Scanning and Navigation Technology**
The combination of clever scanning software and a built-in navigation system, ensures pools are cleaned using the most effective route.
- > **Ultra-Fine Filtration**
The ultra-fine filter basket ensures a deep clean, every time.
- > **Weekly Timer**
Schedule the H3 Robotic Pool Cleaner to work on preferred days, for enhanced convenience.
- > **Super strong grip**
The multi-directional water jets provide allow the H3 to grip all vertical and horizontal surfaces. Improving waterline scrubbing and ensuring no part of the pool gets left behind.

Kit Components

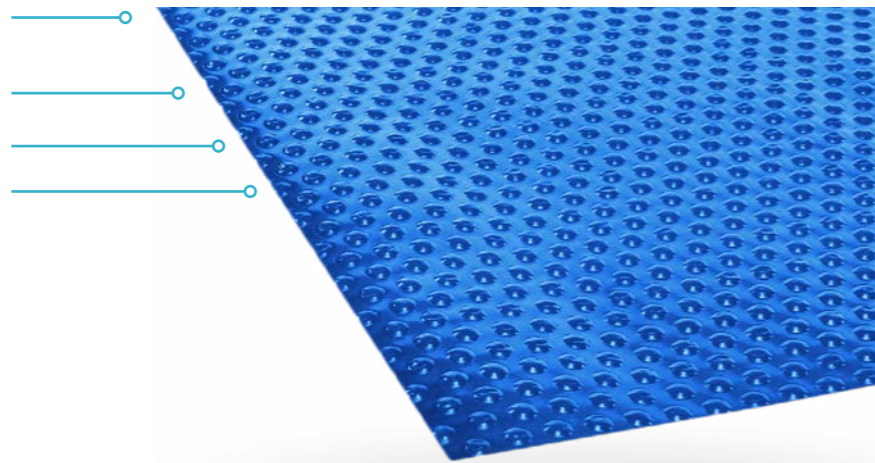
- > **H3 Robotic Pool Cleaner**
- > **Ultra-Fine Filter Basket**
- > **H3 Power Supply**



Solar Pool Covers

Help your customers get the most out of their pool with Henden Solar Pool Covers. Protect the pool from debris, trap heat and reduce heat loss and water evaporation. Made sustainably in Australia, they're designed for premium performance. Available in standard or custom sizes & delivered pre-cut straight to site ready to install.

- > **550 micron pool cover for long lasting performance**
- > **Air pockets to insulate air and trap heat**
- > **Available in our signature Henden Blue**
- > **Suitable for all pools**



Cut to size and ready to install

Henden takes the hassle out of sizing and installation. The Henden Solar Pool Cover is cut to size and delivered to site ready to install, saving you time on the job.

Product size	Product Code
Custom	1537840
6 x 3m	1537841
7.5 x 3.5m	1537842
8 x 4m	1537843
9 x 4.5m	1537844

Market leading warranty

The Henden Solar Pool Cover is covered by a 10 Year Pro Rata warranty. This means your pool cover is covered against manufacturer defects for a total of 10 years from the original date of purchase, with certain discounts applied every year the pool cover ages.

Years	Discount off replacement
1 to 4	100%
5 to 7	50%
8 to 10	25%

Benefits

- > **Long lasting high performance**
At 0.55mm thick, the 550 micron pool cover lasts much longer than thinner pool covers
- > **Heat retention**
Trap and retain the sun's heat to increase the temperature of the pool by 6-8°C while reducing heat loss by up to 75%. This allows you to extend the swimming season into Spring and Autumn
- > **Protection from debris**
Simply and effectively reduce maintenance and keep your pool free of debris, from garden dirt to leaves and insects
- > **Save water**
Reduce up to 95% of water evaporation and save up to thousands of litres of water per month, during Summer
- > **Australian made**
100% designed and produced in Australia

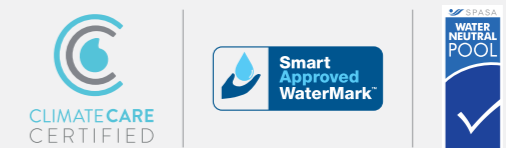
Committed to sustainability

We minimise our impact on the environment through continuous improvement, adopting strategies such as source reduction, use of recyclable and recycled materials and encouraging re-use where possible, without compromising our commitment to quality.

Our environmentally friendly solar pool covers are:

- > Compliant with ISO14001 environmental standards
- > Contain up to 15% post-industrial recycled content
- > A 100% recyclable product

Our covers are approved by:



Note: Solar Pool Covers are not safety covers. They are not designed to support the weight of a person or pet. Potentially save thousands of litres of water per month during Summer

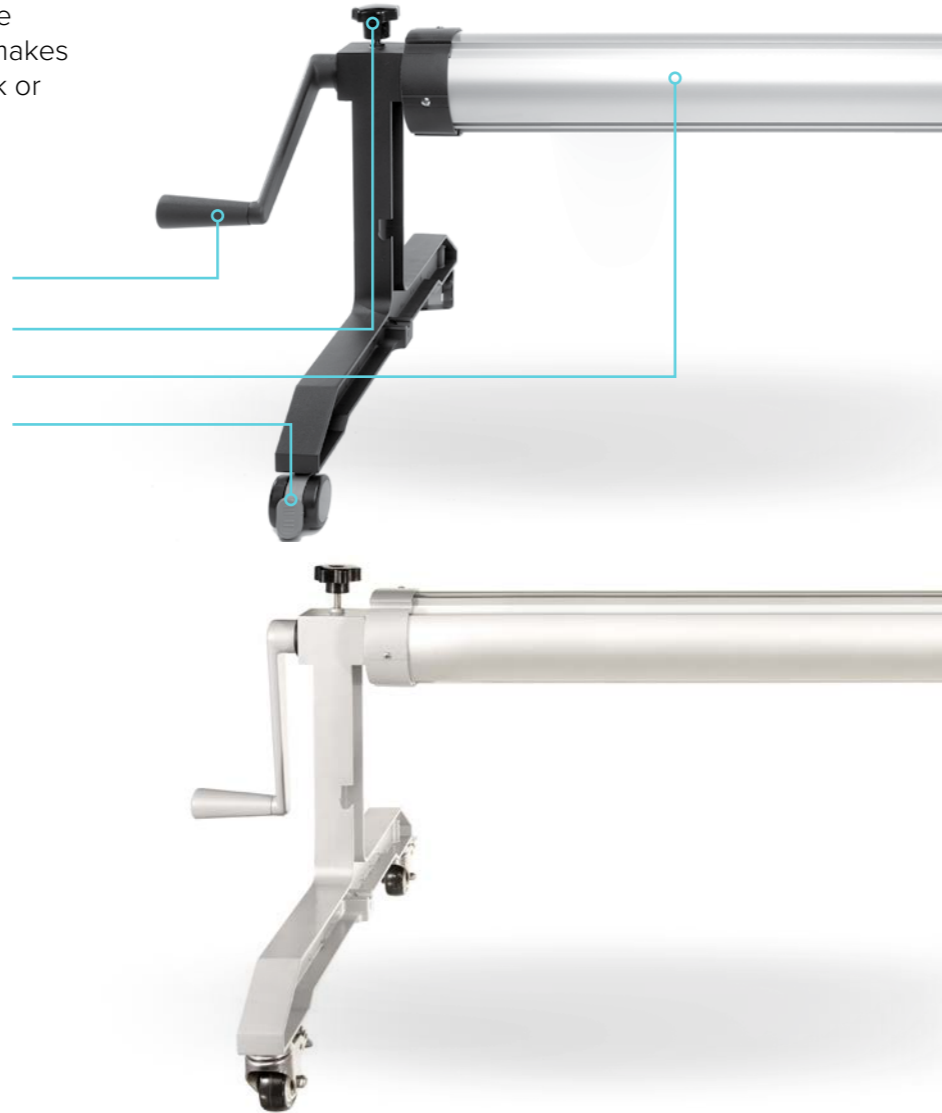


Pro Rata warranty

Mobile Pool Roller

A convenient and cost-effective solution to keep every swimming area safe and tidy and prevent damage to the cover. Built for one person operation, its lightweight design makes it easy to roll and unroll. Available in black or metallic silver to suit any pool aesthetic.

- > **Functional handle for ease of use**
- > **Full locking system to prevent unrolling**
- > **Rust resistant structure for longevity**
- > **Lockable caster wheels for convenient and safe movement around the pool area**



Product Size

Available in a range of standard sizes to accommodate most pools.

Size	Product Code	
	Silver	Black
3.9m	1537851	1537852
4.9m	1537853	1537854

Warranty

The Henden Mobile Pool Roller is covered against manufacturer defects for a total of 5 years on the complete roller and 1 year on cover straps and clips, from the original date of purchase.

Years	Product Part
1	Cover straps and clips
5	Roller

Features

- > Unrolls in less than a minute
- > Available in classic colours: metallic silver and black, and a range of sizes to suit most pools
- > Made of rust-resistant materials, including cast aluminium
- > Functional handle to roll the solar pool cover on and off easily
- > Full locking system to prevent unrolling when not in use
- > Lockable caster wheels make it convenient and safe to move the cover around the pool area
- > Includes a smart clamp system and straps to adjust and fasten your cover to the pool roller
- > Includes over cover to protect the roller when not in use and extend lifespan

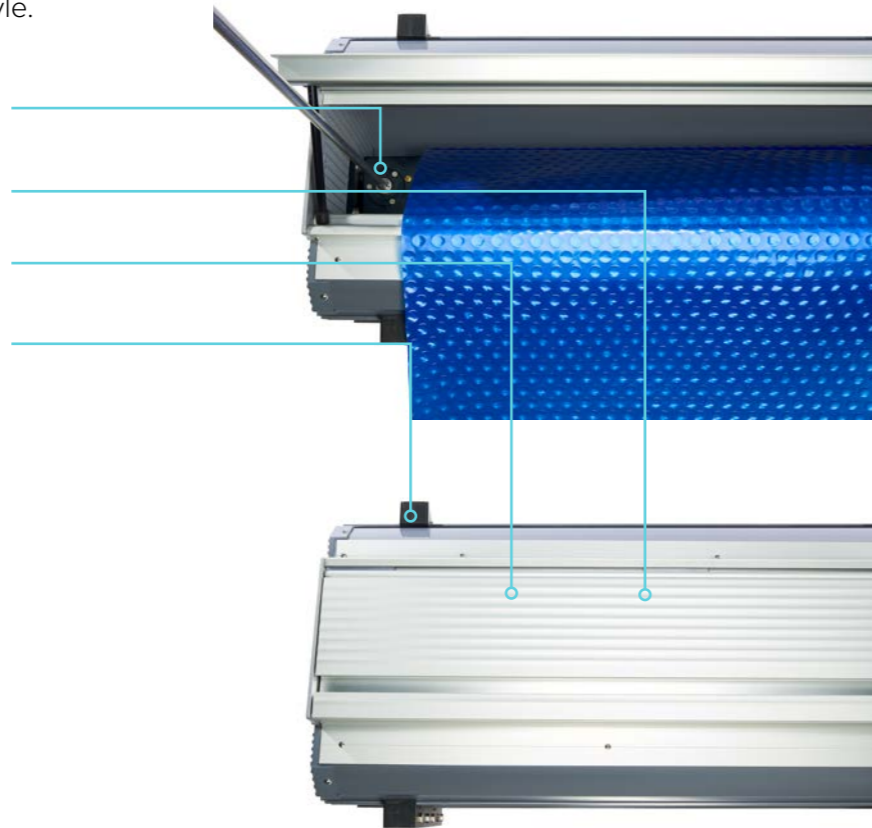


Roller Warranty

In-Ground Box Cover

An innovative and compact solution that neatly stores the Henden Solar Pool Cover underground. The In-Ground Box Cover is made with strong, quality components that protect the Solar Pool Cover from UV rays and harsh weather when not in use. Designed for one person operation, the In-Ground Box Cover sits flush with paving and creates the perfect balance of functionality and style.

- > **Internal winder handle for easy access and use**
- > **Clever design to sit flush for a clean aesthetic**
- > **Anodised and corrosion resistant aluminium lid for longevity**
- > **Sealed bearings for protection**



Product Size

Available in a range of standard sizes to accommodate most pools.

Size	Product Code
3m	1537845
3.5m	1537846
4m	1537847
4.5m	1537848
5m	1537849
5.5m	1537850

Warranty

The Henden In-Ground Cover Box is covered against manufacturer defects for a total of 5 years on the structure, 3 years on the gear box and 1 year on the outer lid and hinge, cover straps and clips, from the original date of purchase.

Years	Product Part
1	Cover straps and clips
1	Outer lid and hinge
3	Gear box
5	Structure

Features

- > Anodised aluminium lid that sits flush to decking or paving
- > Built in winder handle that is safely stored inside the box for easy access
- > Durable internal mechanisms to prevent rust or corrosion
- > Sealed bearings to prevent sand, water or debris from entering the unit
- > Available in a range of sizes to accommodate any shaped pool



* The Henden In-Ground Cover Box is made to order and delivered directly to site only. We recommend that this product be installed by a pool or landscape professional.





Reece. Works for you.™

Call **1800 032 566** or visit **www.reece.com.au** for your nearest Reece Irrigation & Pools Store.
Due to limitations in the printing process the colours in this brochure are a guide only.

V9 [BROCHURE CODE 2131957]



**irrigation
& pools**