



AA Electronics



HDMI™
4K
2.0 60HZ



EagleSTAR pro



DigitNetPro



WWW.AA-E.COM

Volume 18

AA Electronics

Volume 18



AA Electronics

With more than 20 years of experience in distributing and wholesaling high quality networking, car audio, lighting accessories, home theater products, digital security systems and professional audio products.

Our dedicated Research & Development department is working with a common goal to deliver the highest-quality and newest products to customers at a competitive price.

Our expert staff is committed to provide the ultimate satisfaction in customer service.

With manufactories in Taiwan, Japan and China. We export to Canada, United States, Central and South America.

Main Office & Showroom

1350 Matheson Blvd E., Unit 7-8
Mississauga, Ontario L4W 4M1
Canada

Tel: (905) 206-0931
Fax: (905) 206-0932
Email: info@aa-e.com

Warehouse

1291 Matheson Blvd E.,
Mississauga, Ontario L4W 4M1
Canada

Tel: (905) 206-1169
Fax: (905) 206-0932
Email: info@aa-e.com

WWW.AA-E.COM

<http://www.aaelectronics.ca>
<http://www.digitnetpro.com>
<http://www.eaglestarpro.com>

1350



Table of CONTENTS

Page

Audio Cable

- 02-03 ▶ High-End Audio Cables
- 04 ▶ Microphone & Speakon Cables
- 05-06 ▶ RCA, 1/4" & 3.5mm Cables

HDMI Cable, Converter & Adapter

- 07-08 ▶ HDMI, Mini HDMI & Micro HDMI Cables
- 09-12 ▶ HDMI Converters - Extenders - Splitters - Switchers
- 13-14 ▶ HDMI, DisplayPort, USB, USB Type-C Adapters

Audio Connector, Terminal & Wire

- 15-16 ▶ XLR, Speakon Connectors & Adapters
- 17-20 ▶ 1/4", RCA, 3.5mm, Banana & DC Connectors
- 21-24 ▶ BNC, F Type & UHF Connectors
- 25-26 ▶ Wire Terminals
- 27 ▶ Audio Wires
- 28 ▶ Coaxial & Ethernet(CAT5e/CAT6e) Cables

Battery

- 29 ▶ Rechargeable Sealed Lead Acid Batteries
- 30 ▶ Cordless Phone Batteries & Button Batteries

Car Accessory

- 31-32 ▶ Wire Terminals, Fuses & Fuse Holders
- 33 ▶ Car Audio Amplifiers

Camera System & Doorbell

- 34-35 ▶ WiFi LED Light Bulb Cameras & Wireless Camera Kits
- 36-39 ▶ Recorders, Cameras, Dash Cams & Accessories
- 40 ▶ Doorbells

Networking & Wiring Accessory

- 41-42 ▶ Network Patch Cords, Patch Panel & Keystones
- 43-44 ▶ Surface Mount Boxes & Wall-Plates
- 45-46 ▶ Shelves & Accessories for Network Cabinet
- 47-49 ▶ Network & Server Cabinets, Open Server Racks
- 50-53 ▶ Wiring Duct, Heatshinks, Self-Wrap Sleeving & Cable Ties

Tool

- 54-56 ▶ Crimping & Stripping Tools
- 57-58 ▶ Soldering Tools & Magnifying Lamps
- 59 ▶ Testing Devices

Pro Audio & Lighting

- 60 ▶ Professional Wireless Microphone Systems
- 61 ▶ Professional DJ Mixers
- 62 ▶ Pro DJ Amplifier Speaker Boxes
- 63-64 ▶ Mic Accessories, Music & Lighting Stands
- 65 ▶ PA Systems, Ceiling Speakers & Subwoofers
- 66 ▶ Tweeters, Raw Woofers & Alarm Sirens
- 67-69 ▶ DJ Lightings, Lasers, LED Lightings & Accessories

TV Antenna

- 70 ▶ HDTV Indoor/Outdoor Antennas
- 71-72 ▶ HDTV Signal Amplifiers & Accessories

Smartphone Accessory

- 73-74 ▶ Smartphone Charging Cables, Chargers & Holders

Telephone Accessory

- 75 ▶ Telephone Wires & Wall-Plates

Switch

- 76-77 ▶ Toggle Switches & Micro Switches

Power

- 78 ▶ Power Bars & Power Extension Cords
- 79 ▶ Power Supplies & Step Up/Down Transformers

TV Bracket

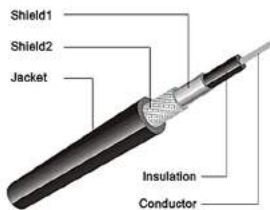
- 80-83 ▶ Wall Mounts & Desk Mounts for Monitors, Small TVs
- 84-89 ▶ Full Motion Wall Mounts & Stands for TVs
- 90 ▶ Video Wall Stands
- 91-93 ▶ Ceiling Mounts for Video Wall, TVs & Projectors
- 94 ▶ DVD Wall Mount Glass Shelves



High-End Hi-Fi Audio Cables



16-5401-12



High-End Hi-Fi Audio Cable

16-5401-12

Using foamed PE with 75 ohm as the insulation, ensures sound quality and transmit sound signal with high stability and fidelity

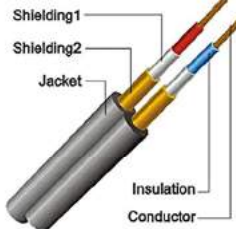
Soft, highly flexible PVC outer jacket protects total length of cable with molded strain relief

O.D.	---	11.8mm
Capacitance at 1KHz	---	6.8nF/100m

Available length: 12Ft



16-5402-06



High-End Hi-Fi Audio Cable

16-5402-06

Adopting single shield, OFC braiding or aluminum foil+OFC braiding (spiral) yield high signal-to-noise ratio with minimal interference

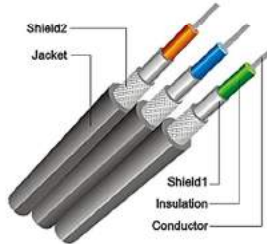
Soft, highly flexible PVC outer jacket protects total length of cable with molded strain relief

O.D.	---	11.8mm
Capacitance at 1KHz	---	7.38nF/100m

Available length: 6Ft, 12Ft



16-5403-06



High-End Component Video Cable

16-5403-06

Adopting single shield, OFC braiding or aluminum foil+OFC braiding (spiral) yield high signal-to-noise ratio with minimal interference

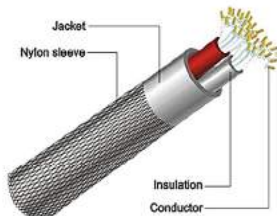
Soft, highly flexible PVC outer jacket protects total length of cable with molded strain relief

O.D.	---	11.8mm
Capacitance at 1KHz	---	6.8nF/100m

Available length: 6Ft, 12Ft



16-5404-06



2 Spade+Banana Hi-Fi Cable

16-5404-06

Soft, highly flexible PVC outer jacket is vibration resistible, its free of signal quality deterioration caused by moulding and bending. There is nylon sleeves outside the PVC jacket, Which gives fashionable look and prolongs its life

O.D.	---	12.8mm
Capacitance at 1KHz	---	2.42nF/100m

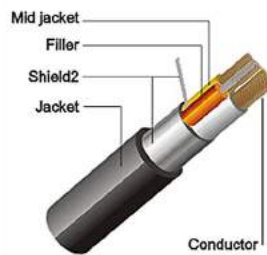
Available length: 6Ft, 12Ft



High-End Hi-Fi Audio Cables



16-5409-09



High-End Hi-Fi Power Cable

16-5409-09

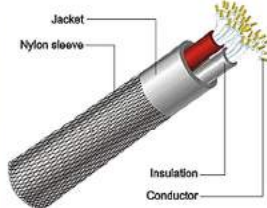
This power cable will be able to deliver a lot of current with low losses and the grounded shield will help reduce the potential of picking up stray RF or injecting unwanted noise into nearby interconnect cables

O.D. --- 16mm

Available length: 9Ft



16-5604-12



2 Spade+Banana Hi-Fi Cable

16-5604-12

Soft, highly flexible PVC outer jacket is vibration resistible, its free of signal quality deterioration caused by moulding and bending. There is nylon sleeves outside the PVC jacket, Which gives fashionable look and prolongs its life

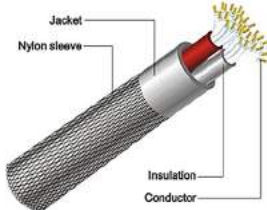
O.D. --- 16mm

Capacitance at 1KHz --- 2.42nF/100m

Available length: 12Ft



16-5605-12



2 Spade+Banana Hi-Fi Cable

16-5605-12

Soft, highly flexible PVC outer jacket is vibration resistible, its free of signal quality deterioration caused by moulding and bending. There is nylon sleeves outside the PVC jacket, Which gives fashionable look and prolongs its life

O.D. --- 25mm

Capacitance at 1KHz --- 2.42nF/100m

Available length: 12Ft



16-5610-06



Digital Optical Fiber Cable

16-5610-06

Transmission Loss --- ≤ 0.2dB/m

Insertion Loss --- ≤3.0dB

Application Wavelength --- 650nm

Transmission Frequency

Bandwidth --- up to 6MHZ

Available length: 6Ft, 12Ft



Microphone & Speakon Cables



16-7101

High-End XLR M-F Cable
OD: 6.0mm 20AWG DMD220
Available Length: 6ft, 10ft, 25ft, 50ft



16-7103

High-End XLR F to 1/4 INCH M
OD: 6.0mm 20AWG DMD220
Available Length: 6ft, 10ft, 25ft, 50ft



16-7104

High-End 1/4 INCH M-F Cable (Microphone)
OD: 6.0mm 20AWG DMD220
Available Length: 6ft, 12ft, 25ft, 50ft



16-7105

High-End 1/4 INCH Mono M-M
Available Length: 6ft, 12ft OD: 6.0mm 20AWG
25ft, 50ft, 100ft OD:8.3mm 16AWG



16-7106

High-End 1/4 INCH M-F Cable (Speaker)
Available Length: 12ft, 24ft, 36ft OD: 6.0mm 20AWG DMD220
25ft, 50ft, 100ft OD:8.3mm 16AWG DSS215



16-7107

High-End 1/4 INCH Stereo M-M
OD: 6.0mm 20AWG
Available Length: 6ft, 12ft



16-7212

SPEAKON M-M Cable
Available Length: 10ft, 12ft, 24ft, 25ft OD:8.3mm DSS215
50ft, 100ft OD:9.3mm 14AWG DSS255



16-7213

SPEAKON F-F Cable
OD:8.3mm 16AWG DSS215
Available Length: 12ft, 24ft



16-7216

SPEAKON M-F Cable
OD: 8.3mm 16AWG DSS215
Available Length: 12ft, 24ft, 50ft



16-7217

SPEAKON M- 1/4 INCH M Cable
OD: 8.3mm 16AWG DSS215
Available Length: 10ft, 25ft



16-7218

SPEAKON M- XLR F Cable
OD: 8.3mm 16AWG DSS215
Available Length: 10ft, 25ft



16-7219

SPEAKON M-XLR Cable
OD: 8.3mm 16AWG DSS215
Available Length: 10ft, 25ft



RCA & 1/4 Inch Cables



16-7220

SPEAKON M TO DUAL M BANANA
OD: 8.3mm 16AWG DMD215
Available Length: 5ft, 25ft



16-7233

XLR FEMALE TO DUAL MALE XLR
Available Length: 5ft



16-7234

XLR MALE TO DUAL FEMALE XLR
Available Length: 5ft



16-7237

DUAL XLR FEMALE TO DUAL RCA MALE
Available Length: 5ft, 10ft



16-7238

DUAL XLR MALE TO DUAL RCA MALE
Available Length: 5ft, 10ft



16-7239

DUAL 1/4 INCH MONO TO DUAL RCA MALE
Available Length: 5ft, 10ft



16-7240

1/4 INCH STEREO TO DUAL RCA MALE
Available Length: 5ft, 10ft, 20ft



16-7241

DUAL RCA MALE TO DUAL RCA MALE
Available Length: 2.5ft, 5ft, 10ft, 20ft



16-7242

DUAL 1/4 INCH MONO TO DUAL 1/4 INCH MONO
Available Length: 5ft, 10ft, 15ft



16-7243

1/4 INCH MONO TO DUAL RCA MALE
Available Length: 5ft, 10ft



16-7244

1/4 INCH MONO TO DUAL 1/4 INCH MONO
Available Length: 5ft, 10ft



16-7246

3.5mm STEREO MALE TO DUAL 1/4 INCH MONO
Available Length: 5ft, 10ft, 20ft



16-7283

1/4 INCH MONO PLUG TO RIGHT ANGLE M-M patch cord
OD: 6.3mm 20AWG DMD220
Available Length: 1ft, 2ft, 3ft, 5ft



16-7284

1/4 INCH STEREO PLUG TO RIGHT ANGLE M-M PATCH CORD
OD: 6.3mm 20AWG DMD220
Available Length: 2ft, 3ft, 5ft



16-7285

1/4 INCH MONO RIGHT ANGLE TO RIGHT ANGLE M-M PATCH CORD
OD: 6.3mm 20AWG DMD220
Available Length: 1ft, 2ft, 3ft, 5ft



RCA & 3.5mm Cables



16-7312

RCA Male to 2 x RCA Female
Available Length: 1ft, 6ft



16-7313

RCA Female to 2 x RCA Male
Available Length: 1ft, 6ft



16-7316

Dual RCA Male to Male
Available Length: 24ft, 50ft



16-7326

Composite Video Cable
Available Length: 6ft, 12ft,
24ft, 50ft



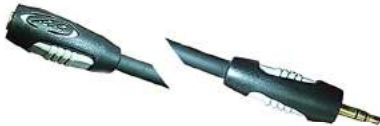
16-7328

Component Video Cable
Available Length: 6ft, 12ft, 24ft



16-7402

3.5mm Stereo Male to Male
Available Length: 6ft, 12ft,
24ft, 50ft



16-7404

3.5mm Stereo Female to Male
Available Length: 24ft



16-7504

**3.5mm Stereo Male to
2 x RCA Male**
Available Length: 1ft, 6ft, 24ft, 50ft



16-7505

**3.5mm Stereo Male to
2 x RCA Female**
Available Length: 1ft, 6ft, 12ft



16-7808

Digital Optical Audio Cable
Available Length: 3ft, 6ft,
12ft, 24ft, 50ft



16-8013-H

3.5mm Stereo Male to Male
Available Length: 6ft, 12ft



16-8022-H

3.5mm Stereo Female to Male
Available Length: 6ft, 12ft



16-8051-06H

**3.5mm Stereo Female to
2 x RCA Male**
Available Length: 6ft



16-8052

**3.5mm Stereo Male to
2 x RCA Male**
Available Length: 6ft, 12ft



16-8054

**3.5mm Stereo Male to
2 x RCA Female**
Available Length: 6ft, 12ft



16-8062

**1/4" Stereo Female to
2 x RCA Male - 6ft**



16-8070

**3.5mm Stereo Female to
2 x RCA Female - 6ft**



16-9031-06H

**3.5mm 4 Pole Male to
3 x RCA Male - 6ft**



HDMI Cables



16-6309



Premium HDMI® 4K v2.0 Cable

- Enables transmission of High Dynamic Range (HDR) video, bandwidth up to 18Gbps
- Support HDCP 2.2
- 4Kx2K@60Hz/YUV 4:4:4, which is 4 times the clarity of 1080p video resolution
- Up to 32 audio channels for a multi-dimensional immersive audio experience
- Support for the wide angle theatrical 21:9 ratio
- Dynamic synchronization of video and audio streams
- 100% triple shield, perfect signal quality transmission
- 24k gold-plated connector, 99.99% oxygen free copper conductor

Available in: 3ft, 6ft, 10ft, 16ft, 25ft, 35ft & 50ft

16-6321



High Speed HDMI® 4K v1.4 Cable

- Defines input/output protocols for major 3D video formats, paving the way for true 3D gaming and 3D home theater applications
- 4K support @ 24fps, enables video resolutions far beyond 1080p
- Audio Return Channel allows an HDMI-connected TV with a built-in tuner to send audio data “upstream” to a surround audio system
- Durable Teflon jacket, ideal for in-wall wiring
- High-purity materials, 100% conductive shielding to minimize interference

Available in: 3ft, 6ft, 12ft, 25ft, 35ft & 50ft



HDMI & Audio Optic Cables

Swivel & Flat High Speed HDMI® 4K v1.4 Cable



16-6325-06



16-6325-10



16-6326-06



- Defines input/output protocols for major 3D video formats, paving the way for true 3D gaming and 3D home theater applications
- 4K support @ 24fps, enables video resolutions far beyond 1080p
- Audio Return Channel allows an HDMI-connected TV with a built-in tuner to send audio data "upstream" to a surround audio system
- Durable Teflon jacket, ideal for in-wall wiring
- High-purity materials, 100% conductive shielding to minimize interference

HDMI® to Mini HDMI 4K Cable

16-6350-05



HDMI® to Micro HDMI 4K Cable

16-6370-05



Digital Audio Fiber Optic Cable

16-7808



- Made of highly pure Plastic Optical Fiber (POF) which is clad in a special reflecting layer to prevent phase and achieve high fidelity transmissions
- High-purity materials for high signal-to-noise ratio
- 100% conductive shielding to minimize interference
- Constructed materials protect delicate digital fiber optic cable
- For use with all Toslink-to-Toslink optical inputs and outputs

Available in: 3ft, 6ft, 12ft, 24ft & 50ft



HDMI Extenders & Converters

16-6700

HDMI Extender over Cat 5e/6e 50M



16-6700-06

HDMI Wallplates Extender over Cat 5e/6e 60M with IR



16-6700-07

HDMI 4K Extender over Cat 5e/6e 70M with IR and RS232



16-6700-10

HDMI KVM Extender over Cat 5e/6e 60M with USB/100M without USB



16-6700-15

HDMI Extender over Cat 5e/6e 150M with IR



16-6700-20

HDMI Extender over Coaxial 500M support Multi-Receiver



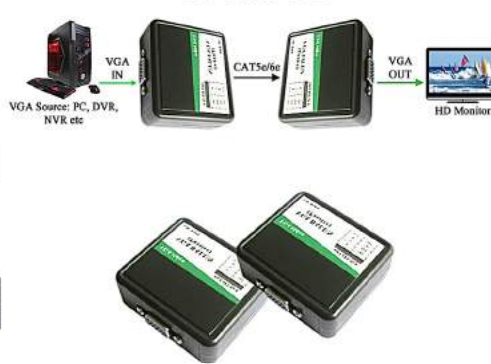
16-6700-33

HDMI Wireless Extender 100M with IR



16-6701-01

VGA Extender over Cat 5e/6e 50M



16-6702

VGA+Optical/Audio to HDMI Converter



16-6702-01

VGA + Audio to HDMI Converter



16-6703

HDMI to VGA+Optical/Audio Converter



16-6706

HDMI to Component or VGA+R/L Audio/Optical Converter





HDMI & Audio Converters

16-6708

Component/VGA+R/L Audio to HDMI Converter support Upscaler



16-6710

HDMI to Audio/Video Converter



16-6710-01

HDMI to Audio/Video Converter



16-6711

Audio/Video to HDMI Converter support Upscaler



16-6711-01

Audio/Video to HDMI Converter support Upscaler



16-6713

HDMI Audio Extractor



16-6720

BNC to VGA Converter



16-6721

VGA to AV/SVID Converter



16-6725

Digital to Analog Audio Converter



16-6726

Analog to Digital Audio Converter



16-6802-4

HDMI 4K Ver1.4 Splitter 1 In 2 Out



16-6802-4-01

HDMI High Speed Splitter 1 In 2 Out

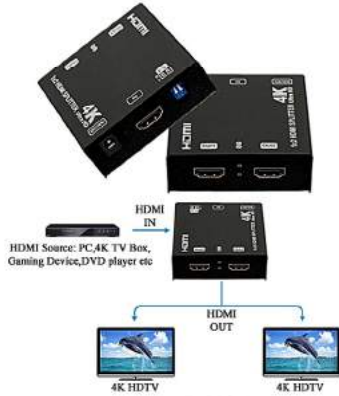




HDMI Splitters & Switchers

16-6802-42

**HDMI 4K Ver2.0 Splitter
1 In 2 Out**



16-6804

**HDMI High Speed Splitter
1 In 4 Out**



16-6804-01

**HDMI High Speed Splitter
1 In 4 Out**



16-6804-4

**HDMI 4K Ver1.4 Splitter
1 In 4 Out**



16-6804-42

**HDMI 4K Ver2.0 Splitter
1 In 4 Out**



16-6808

**HDMI High Speed Splitter
1 In 8 Out**



16-6808-4

**HDMI 4K Ver1.4 Splitter
1 In 8 Out**



16-6808-42

**HDMI 4K Ver2.0 Splitter
1 In 8 Out**



16-6816

**HDMI High Speed Splitter
1 In 16 Out**



16-6830

**HDMI + USB KVM Switcher
4 In 1 Out**



16-6831

**HDMI 4K Ver1.4 Switcher
3 In 1 Out**



16-6831-42

**HDMI 4K Ver2.0 Switcher 3 In 1 Out
with Audio Extractor**





HDMI Matrixs & Video Wall

16-6851

HDMI 4K Ver1.4 Switcher
5 In 1 Out



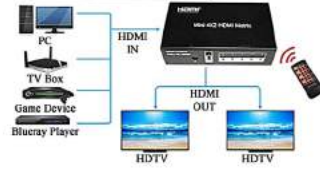
16-6851-01

HDMI High Speed Switcher
5 In 1 Out



16-6842

HDMI High Speed Matrix
4 In 2 Out



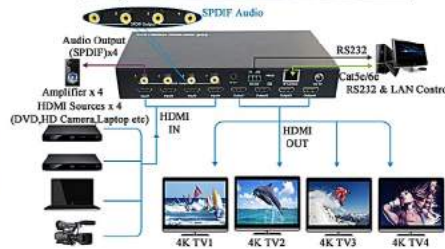
16-6844

HDMI High Speed Matrix
4 In 4 Out



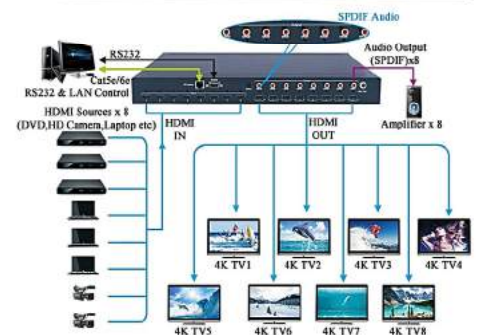
16-6844-42

HDMI 4K Ver2.0 Matrix 4 In 4 Out
with Audio Extractor



16-6888-42

HDMI 4K Ver2.0 Matrix 8 In 8 Out
with Audio Extractor

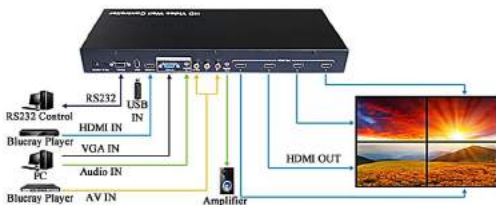


16-6889

Multi-Input High Definition
Video Wall Controller



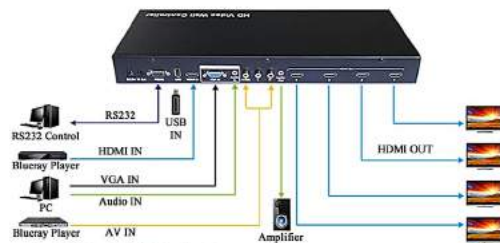
2x2 Video Wall Displaying



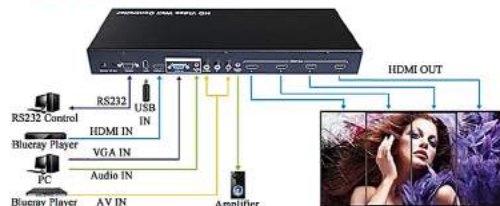
Multi-Level Cascading (Max 10x10 Video Wall)



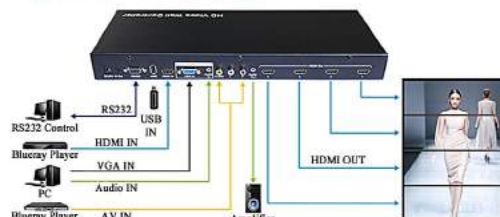
Split a single source to 4 displays



1x4 Video Wall Displaying



4x1 Video Wall Displaying





HDMI & DisplayPort Adapters



16-6355
Mini HDMI to
VGA + Audio Adapter



16-6375
Micro HDMI to
VGA + Audio Adapter



16-6380
HDMI F to F 90°
Adapter



16-6381
HDMI F to M 90°
Adapter



16-6381-01
HDMI F to M Swivel
Adapter



16-6382
HDMI F to F
Coupler



16-6382-04
HDMI ver2.0
Repeater 30m



16-6382-01
HDMI F to F Swivel
Adapter



16-6384
HDMI F to Mini
HDMI M Adapter



16-6385
HDMI F to Micro
HDMI M Adapter



16-6386
HDMI F to DVI-D M
Adapter



16-6387
HDMI M to DVI-D F
Adapter



16-6410
DisplayPort M to M
Cable



16-6412
DisplayPort M to
HDMI F Adapter



16-6413
DisplayPort M to
HDMI M Adapter



16-6415
DisplayPort M to
DVI F Adapter



16-6416
DisplayPort M to
VGA F Adapter



16-6422
Mini DisplayPort M
to HDMI F Adapter



16-6425
Mini DisplayPort M
to VGA F Adapter



16-6426
Mini DisplayPort M
to HDMI+VGA+DVI F
Adapter



Mini DisplayPort & USB Adapters



16-6427

Mini DisplayPort M to DVI-D F Adapter



16-6428

Mini DisplayPort M to HDMI/DVI-D/DP F Adapter



16-6504

USB 2.0 A/M to A/M Cable (6ft,12ft)



16-6512

USB 2.0 A/M to B/M Cable (6ft,15ft,25ft)



16-6516

USB 2.0 A to A Ext. Cable (10ft,12ft,16ft,32ft,50ft)



16-6518

USB 2.0 to Mini USB Cable



16-6523

USB 2.0 Extender Over CAT5e/6e



16-6524

USB 2.0 to Serial RS232 DB9/DB25 Adapter



16-6526-01

USB to IEEE1284 Parallel F Adapter



16-6526-02

USB to DB25 Parallel F Adapter



16-6534

USB 3.0 A/M to A/M Cable (6t,12ft)



16-6536

USB 3.0 A to A Ext. Cable (6ft,12ft,24ft)



16-6542

USB 3.0 to VGA Adapter



16-6546

USB 3.0 to HDMI Adapter



16-6551

USB Type C M to M Cable



16-6552

USB Type C to VGA Multiport Adapter



16-6553

USB Type C to DVI-D F Adapter



16-6554

USB Type C to HDMI Multiport Adapter



16-6556

USB Type C to RJ45 100Mbps + 3*USB 3.0 F Adapter



16-6557

USB Type C to LAN 1000Mbps + 3*USB 3.0 F Adapter



XLR - Speakon Connectors



15-0607-3

XLR Male Chassis Mount



15-0608-3

XLR Male Chassis Mount Gold Plate



15-0609-4

XLR Male Chassis Mount with Lock



15-0614

XLR Male Connector



15-0615

XLR Female Connector



15-0616

XLR Male Connector



15-0617

XLR Female Connector



15-0624

XLR Coupler Male to Male



15-0625

XLR Male to XLR Female



15-0626

XLR Coupler Female to Female



15-0627

1/4" Mono Male to XLR Male



15-0628

1/4" Mono Male to XLR Female



15-0631

RCA Male to XLR Female



15-0634

1/4" Stereo Male to XLR Male



15-0634A

1/4" Stereo Male to XLR Female



15-0635

BNC Female to XLR Female



15-0636

BNC Female to XLR Male



15-0637

RCA Female to XLR Female



15-0638

RCA Female to XLR Male



15-0639

1/4" Mono Female to XLR Female



15-0640

1/4" Mono Female to XLR Male



15-0641

RCA Male to XLR Male



15-4101-4

4-Pin Speakon Female Connector



15-4103-4

4-Pin Speakon Male Connector



Speakon - 1/4 Inch Connectors



15-4103
4-Pin Speakon
Male Connector



15-4202-4
4-Pin Speakon
Female Chassis Mount



15-4301-4
4-Pin Speakon Coupler
Female to Female



15-4305
Speakon Female to
1/4" Female



15-4306
Speakon Female to
XLR Female



15-4307-4
Speakon Female to
XLR Male



15-4308-4
Speakon Male to
XLR Female



15-4309-4
Speakon Male to
XLR Male



15-0006A
Dual Binding Post



15-0019
4mm Banana
Female to Female



15-0021
4mm Banana Female
Screw Type (RD/BK)



15-0101
RCA Male with 6.7mm
Spring (RD/BK)



15-0108
RCA Female with 6.7mm
Spring (RD/BK)



15-0202G
1/4" Mono Male with
7.0mm Spring



15-0205G
1/4" Stereo Male with
7.0/8.0mm Spring



15-0213
RCA Female to 1/4"
Mono Male Adapter



15-0313
1/4" Mono Male
with Spring Rest



15-0315
1/4" Mono Male for
10mm Cable



15-0401
1/4" Stereo Female
(RD/BK)



15-0403A
1/4" Mono Female
(RD/BK)



Banana - RCA - 1/4" Connectors



15-0406
1/4" Mono Female



15-0502
20mm Binding Post
(RD/BK)



15-0506
Tip Plug Screw Type
(RD/BK)



15-0524
RCA Female to
RCA Male Right Angle



15-0534
Banana Plug Plastic
Handle (RD/BK)



15-0534C
Banana Plug Screw Type
Right Angle (RD/BK)



15-0536A
40mm Binding Post
(RD/BK)



15-0536B
40mm Binding Post
(RD/BK)



15-0538
Banana Double Male
(RD/BK)



15-0539
PCB Binding Post
(RD/BK)



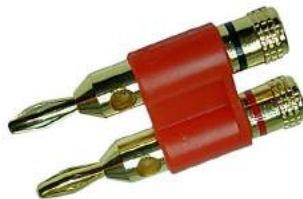
15-0546
RCA Female to Female
(RD/BK)



15-0581
RCA Chassis Mount with
Washer & Rings (RD/BK)



15-0584
Binding Post Mount



15-0589
Dual Banana Male
(RD/BK)



15-1001
1/4" Stereo Male
Bakelite Handle



15-1006
1/4" Mono Male
Bakelite Handle



15-1012
3.5mm Stereo Male
Plastic Handle



15-1014
3.5mm Mono Male
Plastic Handle



15-1018
2.5mm Stereo Male
Plastic Handle



15-1020
2.5mm Mono Male
Plastic Handle



RCA - 1/4" - 3.5mm Connectors



15-1024
1/4" Stereo Male
Right Angle



15-1025
1/4" Mono Male
Right Angle



15-1037
3.5mm 4-Pole Male
Plastic Handle



15-1101
1/4" Stereo Female



15-1102
1/4" Mono Female



15-1107
3.5mm Stereo Female
Plastic Handle



15-1108
3.5mm Mono Female
Plastic Handle



15-1111
2.5mm Stereo Female
Plastic Handle



15-1112
2.5mm Mono Female
Plastic Handle



15-1211
1/4" Stereo
Female to Female



15-1212
1/4" Mono
Female to Female



15-1301
1/4" Stereo Male to
3.5mm Stereo Female



15-1320
3.5mm Stereo Male to
1/4" Stereo Female



15-1344
2.5mm Stereo Male to
3.5mm Stereo Female



15-1601C
RCA Female to Female
Plastic Handle (RD/BK)



15-1611
RCA Female Chassis
Mount (RD/BK)



15-1613
RCA Male to 1/4"
Mono Female Shielded



15-1617
RCA Female to 1/4"
Mono Female Shielded



15-1624
RCA Male
Bakelite Handle



15-1626
RCA Female
Bakelite Handle



RCA - 1/4" - DC Connectors



15-1802
1/4" Stereo Female
Chassis Mount



15-1804
1/4" Mono Female
Chassis Mount



15-1814
2.1mm DC Male
Bakelite Handle



15-1815
2.5mm DC Male
Bakelite Handle



15-1871
2.1mm DC Power
Male Screw Type



15-1872
2.1mm DC Power
Female Screw Type



15-1871-01
2.1mm DC Power
Male Push-In Type



15-1872-01
2.1mm DC Power
Female Push-In Type



15-1874
BNC Male
Screw Type



15-1875
BNC Female
Screw Type



15-1877
RCA Male
Screw Type



15-1879
RCA Female
Screw Type



15-1880
3.5mm Mono Male
Screw Type



15-1882
3.5mm Stereo Female
Screw Type



15-1883
3.5mm Stereo Male
Screw Type



15-1884
1/4" Mono Male
Screw Type



15-1886
1/4" Stereo Male
Screw Type



15-1907
1/4" Mono Male to
2 x 3.5mm Mono Female



15-1910
3.5mm Stereo Male to
2 x 3.5mm Stereo Male



15-1916
1/4" Stereo Male to
2 x RCA Female



RCA Connectors - Clips



15-1917
1/4" Mono Male to
2 x RCA Female



15-1920
RCA Male to
2 x RCA Female



15-2106
1/4" Mono Male to Male



15-2201
Alligator Clip 50mm



15-2202
Alligator Clip 35mm



15-2203
Alligator Clip 31mm



15-2317
30A Battery Clip
(RD/BK)



15-2401
1 x RCA Female
Terminal Board



15-2402
2 x RCA Female
Terminal Board



15-2503
Banana Plug Screw Type
(RD/BK)



15-2611
Type A/B/C
Bakelite Knobs



15-2612
IC Test Clip



15-2613
Auto Antenna Male



15-2617
Auto Antenna Female



15-2623
Fuse Holder for
5.2 x 20mm Fuse



15-2624
Fuse Holder for
6.4 x 30mm Fuse



15-2628
Auto Cigarette
Female Socket



15-2629
Auto Cigarette
Male Socket



15-2648
Binding Post PCB Type
125V - 3A



15-2650
Type A/B/C/D
Bakelite Knobs



AC Power - BNC - RCA Connectors



15-2651
Type A/B/C
Bakelite Knobs



15-2801
3-Pin AC Power
Female Connector



15-2803
3-Pin AC Power Female
Panel Mount



15-2804
3-Pin AC Power
Female Socket



15-2816
2-Pin AC Power
Male Connector



15-2816A
2-Pin AC Power
Female Connector



15-2829
3-Pin AC Power
Male Connector



15-2831
3-Pin to 2-Pin
Grounded Adapter



15-6005-59
RG59 BNC Male
Twist On



15-6005-6
RG6 BNC Male
Twist On



15-6009
BNC Terminator for
50, 75, 93 Ohms



15-6011-59
RG59 BNC Male
Snap & Seal



15-6011-6
RG6 BNC Male
Snap & Seal



15-6012
RG6 RCA Male
Snap-On (White)



15-6012
RG6 RCA Male
Snap-On (Yellow)



15-6012
RG6 RCA Male
Snap-On (Red)



15-6012
RG6 RCA Male
Snap-On (Green)



15-6012
RG6 RCA Male
Snap-On (Blue)



15-6033
BNC Female to Female



15-6041
BNC Male to
RCA Female



BNC - F Type Connectors



15-6042

**BNC Male to
UHF Female**



15-6043

**RCA Male to
BNC Female**



15-6043A

**RCA Female to
BNC Female**



15-6044

**F Connector Female to
BNC Female**



15-6045

**BNC Male to
TNC Female**



15-6047

**BNC Male to
F Connector Female**



15-6048

**BNC Male to
UHF Male**



15-6049

**BNC Female to
F Quick Connector**



15-6050

**3.5mm Mono Male to
BNC Female**



15-6051

**BNC Female to
UHF Female**



15-6057

BNC Male T Type



15-6058

**BNC Male to
Dual BNC Female**



15-6061

BNC Female T Type



15-6205-59

**RG59 F Type
Crimp with Ring**



15-6205-6

**RG6 F Type
Crimp with Ring**



15-6027

**RG6 F Type
Snap & Seal with Ring**



15-6208-6

**RG6 F Type
Quick Twist On**



15-6209

**F Type Quick Male to
F Type Twist Female**



15-6215

**F Type Terminator
75 Ohms**



15-6223

**F Type Receptacle
for PCB R/A**



BNC - F Type - UHF Connectors



15-6226
F Type Female
Chassis Mount



15-6231
F Type Coupler
Female to Female



15-6232
F Type Coupler
Male to Male



15-6235
PAL Male to
F Type Female



15-6236
F Type Male to
RCA Female



15-6239
F Type Male to
BNC Female



15-6245
RCA Male to
F Type Female



15-6246
RCA Female to
F Type Female



15-6247
3.5mm Mono Male to
F Type Female



15-6253
PAL Female to
F Type Female



15-6259
F Type Male
Quick Twist On



15-6261
F Type Coupler
Quick Type Male to Male



15-6302
N Male Clamp Type
RG58/RG59



15-6307
N Female Chassis Mount



15-6317
N Male to
UHF Female



15-6318
N Male to
BNC Male



15-6322
N Male to
F Type Female



15-6325
N Male to
RCA Female



15-6326
N Type Coupler
Female to Female



15-6327
N Female to
BNC Female



TNC - UHF Connectors



15-6601

**TNC Male Crimp for
RG58/RG59**



15-6628

**TNC Male to
BNC Female**



15-6704

UHF Male Twist On



15-6710

**UHF Female Chassis
Mount**



15-6713

**UHF Male to
BNC Female**



15-6714

**UHF Male to
F Type Male**



15-6715

**UHF Male to
F Type Female**



15-6726

**UHF Coupler
Female to Female**



15-6728

**UHF Male to
Dual UHF Female**



15-6801

**Mini UHF Male
Crimp Type**



15-6806

**Mini UHF Male to
BNC Female**



15-6809

**Mini UHF Male to
UHF Female**



15-6810

**Mini UHF Female to
BNC Male**



15-6814

**Mini UHF Coupler
Female to Female**



15-6867

**SMA Male to
BNC Female**



15-6877

**SMA Female to
BNC Female**



15-6894

**SMA Male Crimp
Connector**



15-6905

**Twinaxial Male
Clamp Type**



15-6906

**Twinaxial Female
Clamp Type**



15-6908

**Twinaxial Coupler
Female to Female**



Terminal Crimp Type



12-0212

Flag F Disconnect

- Ideal for wire AWG 22 - 15
- Fully Nylon Insulated Female



12-0222

Flag F Disconnect

- Ideal for wire AWG 16 - 14
- Fully Nylon Insulated Female



12-0515

Hook Terminals

- Ideal for wire AWG 22 - 16
- Vinyl insulated Single crimp



12-0525

Hook Terminals

- Ideal for wire AWG 16 - 14
- Vinyl insulated Single crimp



12-0555

Hook Terminals

- Ideal for wire AWG 12 - 10
- Vinyl insulated Single crimp



12-1137

Ring Terminal

- Ideal for wire AWG 22 - 16
- Dimension: 2.8 x 3.7mm
- Vinyl insulated Single crimp



12-1160

Ring Terminal

- Ideal for wire AWG 22 - 16
- Dimension: 2.8 x 3.7mm
- Vinyl insulated Single crimp



12-1260

Ring Terminal

- Ideal for wire AWG 16 - 14
- Dimension: 2.8 x 6.4mm
- Vinyl insulated Single crimp



12-1560

Ring Terminal

- Ideal for wire AWG 12 - 10
- Dimension: 6.4mm
- Vinyl insulated Single crimp



12-1580

Ring Terminal

- Ideal for wire AWG 12 - 10
- Dimension: 8.4mm
- Vinyl insulated Single crimp



12-2160

Spades Terminal

- Ideal for wire AWG 22 - 16
- Dimension: 1/4" / 6.4mm
- Vinyl insulated Single crimp



12-2260

Spades Terminal

- Ideal for wire AWG 16 - 14
- Dimension: 8" / 4.3mm
- Vinyl insulated Single crimp



12-2560

Spades Terminal

- Ideal for wire AWG 12 - 10
- Dimension: 1/4" / 6.4mm
- Vinyl insulated Single crimp



12-3111

F Disconnects

- Ideal for wire AWG 22 - 16
- Dimension: 2.8 x 3.7mm
- Vinyl insulated Single crimp



12-3125

F Disconnects

- Ideal for wire AWG 22 - 16
- Dimension: 6.35 x 0.8mm
- Vinyl insulated Single crimp



12-3225

F Disconnects

- Ideal for wire AWG 16 - 14
- Dimension: 6.35 x 0.8mm
- Vinyl insulated Single crimp



12-3525

F Disconnects

- Ideal for wire AWG 12 - 10
- Dimension: 6.35 x 0.8mm
- Vinyl insulated Single crimp



12-3632

Open Barrel Push On

- Ideal for wire AWG 16 - 14
- Dimension: 6.35 x 0.8mm
- Non-insulated Single crimp



12-3634

Open Barrel Push On

- Ideal for wire AWG 12 - 10
- Dimension: 6.35 x 0.8mm
- Non-insulated Single crimp



12-4225

Male Disconnects

- Ideal for wire AWG 16 - 14
- Dimension: 2.8 x 3.7mm
- Vinyl insulated Single crimp



Terminal Crimp Type



12-4525

Male Disconnects

- Ideal for wire AWG 12 - 10
- Dimension: 6.35 x 0.8mm
- Vinyl insulated Single crimp



12-5215

Bullet Connectors

- Ideal for wire AWG 16 - 14
- Dimension: 4mm
- Vinyl insulated Single crimp



12-5519

Bullet Connector

- Ideal for wire AWG 12 - 10
- Dimension: 4mm
- Vinyl insulated Single crimp



12-6215

Receptacle Connector

- Ideal for wire AWG 16 - 14
- Dimension: 4mm
- Vinyl insulated Single crimp



12-6519

Receptacle Connector

- Ideal for wire AWG 12 - 10
- Dimension: 4mm
- Vinyl insulated Single crimp



12-7125

Piggy Back Disconnect

- Ideal for wire AWG 22 - 16
- Dimension: 6.35 x 0.8mm
- Vinyl insulated Single crimp



12-7225

Piggy Back Disconnect

- Ideal for wire AWG 16 - 14
- Dimension: 6.35 x 0.8mm
- Vinyl insulated Single crimp



12-7525

Piggy Back Disconnect

- Ideal for wire AWG 12 - 10
- Dimension: 6.35 x 0.8mm
- Vinyl insulated Single crimp



12-8122

Nylon Male Disconnect

- Ideal for wire AWG 16 - 14
- Dimension: 6.35 x 0.8mm
- Vinyl insulated Single crimp



12-8152

Nylon Male Disconnect

- Ideal for wire AWG 12 - 10
- Dimension: 6.35 x 0.8mm
- Vinyl insulated Single crimp



12-8222

Nylon Female Disconnect

- Ideal for wire AWG 16 - 14
- Dimension: 6.35 x 0.8mm
- Vinyl insulated Single crimp



12-8252

Nylon Female Disconnect

- Ideal for wire AWG 12 - 10
- Dimension: 6.35 x 0.8mm
- Vinyl insulated Single crimp



12-9012

Butt Splice Connector

- Ideal for wire AWG 16 - 14
- Vinyl insulated



12-9015

Butt Splice Connector

- Ideal for wire AWG 12 - 10
- Vinyl insulated



12-9042

Window Butt Connector

- Ideal for wire AWG 22 - 16
- Parallel Connection
- Vinyl insulated



12-9045

Window Butt Connector

- Ideal for wire AWG 12 - 10
- Parallel Connection
- Vinyl insulated



12-9082

Wire Nuts w/r Spring

- Min. AWG 20 x 3
- Max. AWG 16 x 3
- Material: Vinyl insulated with Spring



12-9083

Wire Nuts w/r Spring

- Min. AWG 20 x 3
- Max. AWG 16 x 3
- Material: Vinyl insulated with Spring



12-9086

Wire Nuts w/r Spring

- Min. AWG 14 x 2
- Max. AWG 10 x 2
- Material: Vinyl insulated with Spring



12-9090

B Connector

- Vinyl insulated Single crimp terminal
- Blue or White



Audio Wires



HIGH DEFINITION SPEAKER WIRE

Available Spools

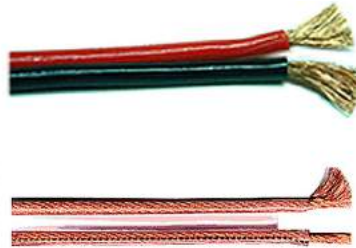
17-1010	10AWG	50FT	100FT	200FT
17-1012	12AWG	50FT	100FT	200FT
17-1014	14AWG	50FT	100FT	200FT
17-1016	16AWG	50FT	100FT	200FT
17-1018	18AWG	50FT	100FT	200FT
17-1020	20AWG	50FT	100FT	200FT



HIGH CURRENT 0, 4 & 8 AWG DC POWER WIRE

Available Spools

17-2000B	0 AWG BLACK	20FT	50FT
17-2000R	0 AWG RED	20FT	50FT
17-2004B	4 AWG BLACK	20FT	100FT
17-2004R	4 AWG RED	20FT	100FT
17-2008B	8 AWG BLACK	20FT	300FT
17-2008R	8 AWG RED	20FT	300FT



HIGH DEFINITION SPEAKER WIRE

Available Spools

17-2010	10AWG	50FT	100FT	200FT
17-2012	12AWG	50FT	100FT	200FT
17-2014	14AWG	50FT	100FT	200FT
17-2016	16AWG	50FT	100FT	200FT
17-2018	18AWG	50FT	100FT	200FT
17-2020	20AWG	50FT	100FT	200FT

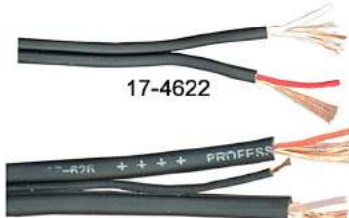
HIGH DEFINITION FLAT SPEAKER WIRE

17-3010F	10AWG	100FT
17-3012F	12AWG	100FT
17-3014F	14AWG	500FT
17-3016F	16AWG	500FT
17-3018F	18AWG	500FT



HIGH DEFINITION SPEAKER & DC POWER WIRE

17-4142	14AWG 2 CONNECTORS	100FT
17-4144	14AWG 4 CONNECTORS	100FT
17-4162	16AWG 2 CONNECTORS	200FT
17-4164	16AWG 4 CONNECTORS	100FT
17-4222	22AWG 2 CONNECTORS	330FT
17-4242	24AWG 2 CONNECTORS	330FT
17-4244	24AWG 4 CONNECTORS	330FT
17-4245	24AWG 5 CONNECTORS	330FT



LOW NOISE AUDIO & VIDEO SHIELDED CABLE HIGH RESOLUTION INTERCONNECT CABLE

17-4622	1000FT
17-4626	500FT



MICROPHONE CABLE FLEXIBLE BRAID SHIELD LOW IMPEDENCE CABLE

17-4602		500FT
17-4162	2C 16AWG	300FT
17-4602	2C 20AWG	500FT
17-4164	4C 16AWG	300FT
17-4142	2C 14AWG	300FT



Coaxial & Ethernet Cables

RG58/RG59/RG6 Coaxial Cable



Plastic Reel In Box for easy Pulling

Cable	Model No.	Length
RG58U	17-0058	50 Ohms 1000FT
RG59 Black	17-0059	75 Ohms 1000FT
RG59 White	17-0059	75 Ohms 1000FT
RG6 Black	17-0060	75 Ohms 1000FT
RG6 White	17-0060	75 Ohms 1000FT

RG6 Coaxial Cable with F Connector

Model No.	Length
17-0060-06	75 Ohms 6FT
17-0060-12	75 Ohms 12FT
17-0060-25	75 Ohms 25FT
17-0060-50	75 Ohms 50FT
17-0060-100	75 Ohms 100FT
17-0060-200	75 Ohms 200FT

Siamese RG59 Coaxial with Power Cable

Plastic Reel In Box for easy Pulling



Cable	Model No.	Length
RG59U + 2x18AWG Black	17-0059+02	500FT
RG59U + 2x18AWG White	17-0059+02	500FT

CAT5E/CAT6E cUL Approved Cable

Plastic Reel In Box for easy Pulling



Model No.	Length
17-CAT5E FT4	1000FT
17-CAT5E CMP FT6	1000FT
17-CAT5E SHIELDED	1000FT
17-CAT6E FT4	1000FT
17-CAT6E CMP FT6	1000FT
17-CAT6E SHIELDED	1000FT

Telephone Cable

Plastic Reel In Box for easy Pulling



Cable	Model No.	Length
22AWG 4C Solid Copper	17-0022-4	1000FT
24AWG 4C Solid Copper	17-0024-4	1000FT
22AWG 4C Solid CCA	17-0024-4C	1000FT



Rechargeable SLA Batteries



29-006-1.3

**Rechargeable Battery
6V - 1.3AH - 20HR**



29-006-4.5

**Rechargeable Battery
6V - 4.5AH - 20HR**



29-006-7.5

**Rechargeable Battery
6V - 7.5AH - 20HR**



29-006-12

**Rechargeable Battery
6V - 12AH - 20HR**



29-012-0.8

**Rechargeable Battery
12V - 0.8AH - 20HR**



29-012-3.3

**Rechargeable Battery
12V - 3.3AH - 20HR**



29-012-4.5

**Rechargeable Battery
12V - 4.5AH - 20HR**



29-012-7.5

**Rechargeable Battery
12V - 7.5AH - 20HR**



29-012-9

**Rechargeable Battery
12V - 9AH - 20HR**



29-012-12

**Rechargeable Battery
12V - 12AH - 20HR**



29-012-20

**Rechargeable Battery
12V - 20AH - 20HR**



29-012-26

**Rechargeable Battery
12V - 26AH - 20HR**



29-012-33

**Rechargeable Battery
12V - 33AH - 20HR**



Cordless Phone & Cell Batteries



Cell Battery

Assortment of Cell Batteries for watches and calculators from 1.5V to 3 V



29-0203

Cordless Phone Batt. Ni-CD 3xAA 3.6V 600mAH



29-0205

Cordless Phone Batt. Ni-CD 3 x 2/3AA 3.6V 320mAH



29-0209

Cordless Phone Batt. Ni-CD 3xAA 3.6V 600mAH



29-0210

Cordless Phone Batt. Ni-CD 3 x 2/3AA 3.6V 320mAH



29-0211

Cordless Phone Batt. Ni-CD 3 x 2/3AA 3.6V 320mAH



29-0212

Cordless Phone Batt. Ni-CD 3xAA 3.6V 600mAH



29-0213

Cordless Phone Batt. Ni-CD 2 x AAA 2.4V 600mAH



29-0214

Cordless Phone Batt. Ni-MH 3 x AAA 3.6V 800mAH



29-0215

Cordless Phone Batt. Ni-CD 3 x 2/3AA 3.6V 300mAH



29-0216

Cordless Phone Batt. Ni-MH 3xAA 3.6V 1200mAH



29-0217

Cordless Phone Batt. Ni-MH 3xAAA 3.6V 600mAH



29-0218

Cordless Phone Batt. Ni-CD 2xAAA 2.4V 600mAH



29-0219

Cordless Phone Batt. Ni-CD 3xAAA 3.6V 300mAH



29-0221

Cordless Phone Batt. Ni-MH 3xAAA 3.6V 700mAH



29-0222

Cordless Phone Batt. Ni-MH 3xAAA 3.6V 300mAH



29-0223

Cordless Phone Batt. Ni-CD 3x2/3AA 3.6V 600mAH



29-0224

Cordless Phone Batt. Ni-CD 3xAA 3.6V 850mAH



29-0225

Cordless Phone Batt. Ni-MH 3x2/3AA 3.6V 700mAH



29-0227

Cordless Phone Batt. Ni-MH 3xAA 3.6V 800mAH



29-0228

Cordless Phone Batt. Ni-MH 3xAAA 3.6V 800mAH



29-0229

Cordless Phone Batt. Ni-MH 2xAA 2.4V 1500mAH



29-0234

Cordless Phone Batt. Ni-MH 2xAA 2.4V 1500mAH





Car Wire Terminals & Fuses



86-0001

Insulated Power Gold Terminal - Spade Style
Suitable for: 4, 8, 10 AWG Power Wire



86-0001-0

Insulated Power Gold Terminal - Spade Style
Suitable for: 0 AWG Power Wire



86-0010

Insulated Power Gold Terminal - Round Style
Suitable for: 4, 8, 10 AWG Power Wire



86-0010-0

Insulated Power Gold Terminal - Round Style
Suitable for: 0 AWG Power Wire



86-0020

Gold Ring Terminal
Available in : 0AWG, 4AWG



86-0120

AGU GOLD FUSE
Available in : 30A, 40A, 50A, 60A, 70A, 80A



86-0120-01

AGU GOLD FUSE HOLDER



86-0130

Mini ATC Fuse
Available In: 5A, 10A, 20A, 30A



86-0150-01

Mini ANL Fuse Gold
30A, 40A, 50A, 60A, 70A, 80A, 100A, 150A, 200A



86-0020-4

AFS FUSE HOLDER



86-1047

Battery Terminal +/- for 2 X 8 GA Power Wire



86-1060

Gold Plated Power Cable Terminal 4 AWG



86-1061

Fuse Holder 3 In 4 Out



86-1088

Heavy Duty Fuse Holder for 2 - 8 GA Up to 80AMP



86-1093

Fuse Holder for 2 - 8 GA Up to 80AMP



86-1147

Distribution Block



Car Wires & Amplifier Install Kits



86-2001

1 Farad LED POWER Capacitor Capsule
Operating Voltage 10V-24V
Auto On/Off
Over-voltage circuit protection
Mounting brackets included



86-2002-N

2 Farad LED + NEON HI-POWER Capacitor Capsule
Operating Voltage 10V-24V Auto On/Off
Over-voltage circuit protection
Mounting brackets included



86-2100

High Low Impedance Adaptor
Adjustable Attenuation



86-2116

Ground Loop Insulator
Noise Suppressor for Radio EQ, Amp
Eliminates Audio Line Noise

86-2246

Professional Car Amplifier Install Kit

- 1 pc-16ft 8 AWG Transparent Blue Power Cable
- 1 pc-3.3ft 8AWG Transparent Silver Ground Cable
- 1 pc-33ft 18AWG Transparent Blue Speaker Cable
- 1 pc-17ft 18AWG Blur Turn-On Wire
- 17ft 2R-2R Transparent Blue RCA Cable
- 1pc-6ft Split Loom Tubing
- 1pc- Mini ANL Fuse Holder + Mini ANL Fuse 60AMP 8AWG
- 2pcs- 8AWG Ring Terminals
- 2pcs- 8AWG Spade Terminals
- 4pcs-18AWG Speaker Spade Terminals
- 1pc-8AWG Grommet
- 3pcs- Self Tapping Screws
- 10pcs- 6" Wire Ties



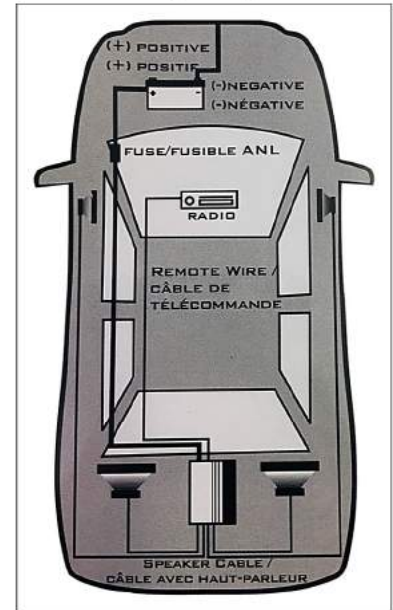
86-2248

Professional Car Amplifier Install Kit

- 1 pc-16ft 4 AWG Transparent Blue Power Cable
- 1 pc-3.3ft 4AWG Transparent Silver Ground Cable
- 1 pc-33ft 18AWG Transparent Blue Speaker Cable
- 1 pc-17ft 18AWG Blue Turn-On Wire
- 17ft 2R-2R Transparent Blue RCA Cable
- 1pc-6ft Split Loom Tubing
- 1pc- Mini ANL Fuse Holder + Mini ANL Fuse 100AMP 4AWG
- 2pcs-4AWG Ring Terminals
- 2pcs- 4AWG Spade Terminals
- 4pcs-18AWG Speaker Spade Terminals
- 1pc- 4AWG Grommet
- 3pcs- Self Tapping Screws
- 10pcs- 6" Wire Ties



Wiring Diagram



17-2004BL

17-2008R



17-2000B



HIGH CURRENT 0AWG, 4AWG, 8AWG DC POWER WIRE

ITEM	Available Colors	Available Spools
17-2000 0AWG	Red, Black, Blue	20FT, 50FT, 100FT
17-2004 4AWG	Red, Black, Blue	20FT, 50FT, 100FT
17-2008 8AWG	Red, Black, Blue	20FT, 50FT, 100FT



Car Audio Amplifier



86-6206



- 400 Watts Peak, 200 Watts RMS
- 2 Channel Car Stereo Amplifier
- Mosfet PWM Power Amplifier
- Stable power supply & voltage
- Bridgeable Operation
- Soft Start
- Short Circuit Protection
- Thermal Protection
- Power Indicator
- Gold Plated RCA Input Jack
- Adjustable Input Sensitivity
- Low/Hi-Pass Crossover

- 800 Watts Peak, 400 Watts RMS
- 2 Channel Car Stereo Amplifier
- Mosfet PWM Power Amplifier
- Stable power supply & voltage
- Bridgeable Operation
- Soft Start
- Overload, Thermal, Short Circuit Protection
- Audio Terminal Start (Voltage can be lower at 6V for REM start)
- Power Indicator
- Gold Plated RCA Input Jack
- Adjustable Input Sensitivity
- Low/Hi-Pass Crossover

86-6208



86-6216



- 1200 Watts Peak, 600 Watts RMS
- 2 Channel Car Stereo Amplifier
- Mosfet PWM Power Amplifier
- Stable power supply & voltage
- Bridgeable Operation
- Soft Start
- Short Circuit Protection
- Thermal Protection
- Power Indicator
- Gold Plated RCA Input Jack
- Adjustable Input Sensitivity
- Low-Pass Filter: 40 Hz-250Hz
- Frequency Response: 10 Hz-40KHz (+/-1dB)
- Signal to Noise Ratio: > 90 dB
- Stereo Separation : > 80 dB

- 500 Watts RMS
- 2 Channel Car Stereo Amplifier
- Mosfet PWM Power Amplifier
- Stable power supply & voltage
- Bridgeable Operation
- Soft Start
- Short Circuit Protection
- Thermal Protection
- Power Indicator
- Gold Plated RCA Input Jack
- Adjustable Input Sensitivity
- Low-Pass Filter: 40 Hz-250Hz
- Frequency Response: 10 Hz-40KHz (+/-1dB)
- Signal to Noise Ratio: > 90 dB
- Stereo Separation : > 80 dB

86-6240





WiFi IP & LED Light Bulb Camera



23-2102

**1080P WiFi IP
360° Pan Tilt Camera**



Rotation Base
E27 Socket

LED for
Illumination

23-2113L

**960P WiFi Panoramic
Light Bulb Fisheye Camera**



Reset Hole

MicroSD Card Slot



23-2113O

**3.0MP WiFi Panoramic
Light Bulb Fisheye Camera**



MicroSD Card Slot

Reset Hole

Camera

Microphone

Speaker

Rotation Base
E27 Socket

LED for
Illumination



23-2113Y

**960P WiFi Panoramic Light Bulb
Fisheye Camera with Bluetooth Speaker**



E27 Standard
Screw Thread

TF Card Slot

Camera Lens

Light

Horn



Reset Hole

Microphone



23-2114

**720P WiFi Doorbell with IR
2 way Audio**





23-4130-04

960P Wireless 4-CH Kit

- > Easy installation, plug & play
- > Support P2P for Phone or Tablet with Cloud Service
- > H.264 dual-stream video compression
- > HDMI/VGA simultaneous video output
- > All channel 960P real-time recording
- > 1.3MP cameras with smart IR
- > 2-TB HDD for longer recording
- > Support 2.4GHz signal transmitting
- > Multiple network monitoring: web-browser, smartphone/tablet App
- > App access controlled by sold ID

23-4135-04

1080P Wireless 4-CH Kit

- > Easy installation, plug & play
- > Support P2P for Phone or Tablet with Cloud Service
- > H.264 dual-stream video compression
- > HDMI/VGA simultaneous video output
- > All channel 1080P real-time recording
- > 2.0MP cameras with smart IR
- > 2-TB HDD for longer recording
- > Draw-out extraction design for HDD slot
- > Support 2.4GHz signal transmitting
- > Multiple network monitoring: web-browser, smartphone/tablet App
- > App access controlled by sold ID



23-4135-08

1080P Wireless 8-CH Kit

- > Easy installation, plug & play
- > Support P2P for Phone or Tablet with Cloud Service
- > H.264 dual-stream video compression
- > HDMI/VGA simultaneous video output
- > All channel 1080P real-time recording
- > 2.0MP cameras with smart IR
- > 2-TB HDD for longer recording
- > Draw-out extraction design for HDD slot
- > Support 2.4GHz signal transmitting
- > Multiple network monitoring: web-browser, smartphone/tablet App
- > App access controlled by sold ID





Network Video Recorders

23-4410-04

23-4410-08



4/8-CH 1U 4/8 PoE H.264H Network Video Recorder

- > H.264H codec decoding
- > Up to 4MP Resolution for Preview and Playback
- > Up to 4/8ch@1080P decoding
- > Up to 6-TB capacity for HDD
- > HDMI/VGA/CVBS simultaneous video output
 - HDMI&VGA: 1920×1080, 1366×768, 1280×1024, 1024×768, 1280×720
- > Support IPC UPnP, 4/8 PoE ports

23-4NV41A08P-4K

23-4NV42A16P-4K



8/16-CH 1U 8/16 PoE H.265 1U 4K Network Video Recorder

- > H.265/H.264 codec decoding
- > Max 200Mbps Incoming Bandwidth
- > Up to 8MP Resolution for Preview and Playback
- > Up to 2ch@4K/8ch@1080P decoding
- > SATA3 ports, up to 6-TB capacity for each HDD
- > HDMI/VGA simultaneous video output
 - HDMI: 3840×2160, 1920×1080, 1280×1024, 1280×720
 - VGA: 1920×1080, 1280×1024, 1280×720
- > Support IPC UPnP, 8/16 PoE ports

23-4XV51A08-X

23-4XV52A16-X



8/16-CH Penta-brid 1U 1080P Digital Video Recorder

- > Embedded processor
- > H.265+/H.265 dual-stream video compression
- > Support HDCVI/AHD/TVI/CVBS/IP video inputs
- > Up to 4MP Resolution for HDCVI/AHD/TVI
- > Max 8+4/16+8 channels IP camera inputs, each channel up to 5MP
- > Max 48/96Mbps Incoming Bandwidth
- > Up to 8-TB capacity for each HDD
- > Smart Search and Intelligent Video System
- > HDMI/VGA simultaneous video output
 - HDMI&VGA: 1920×1080, 1280×1024, 1280×720, 1024×768

23-4XV51A08P-4K

23-4XV52A16P-4K



8/16-CH 8/16 PoC Penta-brid 1U 4K Digital Video Recorder

- > Embedded processor
- > H.264+/H.264 dual-stream video compression
- > Support HDCVI/AHD/TVI/CVBS/IP video inputs
- > Up to 8MP Resolution for HDCVI, 5MP for AHD/TVI
- > Max 8+4/16+8 channels IP camera inputs, each channel up to 8MP
- > Max 48/96Mbps Incoming Bandwidth
- > Up to 6-TB capacity for each HDD
- > Smart Search and Intelligent Video System
- > HDMI/VGA simultaneous video output
 - HDMI: 3840×2160, 2560×1440, 1920×1080, 1280×1024, 1280×720, 1024×768
 - VGA: 1920×1080, 1280×1024, 1280×720, 1024×768



Network & HDCVI Cameras



23-2720

**2MP 3.6mm Smart IR
Eyeball PoE Network Camera
(White & Dark Grey)**



23-2740

**2MP 3.6mm Smart IR
Mini-Bullet PoE
Network Camera**



23-4D14A31S

**4MP 2.8mm WDR
Smart IR Eyeball
PoE Network Camera**



23-4F14A31S

**4MP 3.6mm WDR
Smart IR Mini-Bullet
PoE Network Camera**



23-4D44A31EM-AS

**4MP 2.8mm Face Detection
Built-in Mic WDR Smart IR
Eyeball PoE Network Camera**



23-4D22A31R-Z

**2MP Starlight 2.7~13.5mm Vari-Focal
Motorized-Lens WDR Smart IR
Eyeball PoE Network Camera**



23-4DB24A31R-Z

**4MP 2.7~13.5mm Vari-Focal
Motorized-Lens WDR Smart IR
Dome PoE Network Camera**



23-4D12A00M

**2MP 2.8mm Smart IR
Eyeball HD Camera**



23-4F12A00S

**2MP 3.6mm Smart IR
Mini-Bullet HD Camera**



23-4D14A00EMP

**4MP 2.8mm Smart IR
Eyeball PoC HD Camera**



23-4F14A00S

**4MP 3.6mm Smart IR
Mini-Bullet HD Camera**



23-4D28A02T-A

**4K 2.8mm Starlight
Built-in Mic Smart IR
WDR Eyeball HD Camera**



23-4F28A02E-A

**4K 2.8mm Starlight
Built-in Mic Smart IR
WDR Bullet HD Camera**



23-4SD59A225-HN

**2MP 25x Zoom Starlight
WDR Smart IR PTZ PoE
Auto-Track Network Camera**



23-4SD59A225-HC

**2MP 25x Zoom Starlight
WDR Smart IR PTZ
HDCVI Camera**



Dash Cam & Camera Accessories



23-3711

**720P Car Camera
2.5" TFT Screen
Max Support 32GB**



23-3713

**720P Car Camera
2.0" TFT Screen
Max Support 32GB**



23-3716

**1080P Car Camera
2.0" TFT Screen
Max Support 32GB**



23-3718

**1080P Car Camera
2.0" TFT Screen
Max Support 32GB**



23-8303

**BNC & Power over
Coaxial Extender**



23-4LR10A02-1E

**Single-Port Long
Reach Ethernet over
Coaxial Extender**



23-4FM820

**Up the Coaxial (UTP)
Controller**



23-4FA130-E

**Junction Box for
Dome & Eyeball Camera**



23-4FA134

**Junction Box for
Bullet Camera**



23-4FA152-E

**Pole Mount Bracket
for Camera**



23-4FB204W

**Wall Mount Bracket
for Camera**



23-4FA151

**Corner Mount
Bracket for Camera**



23-4FA120

**Junction Box for
PTZ Camera**



23-4FA150

**Pole Mount Bracket
for PTZ Camera**



23-4FA112

**Ceiling Mount
Extend for PTZ
Camera**



23-4FB300C

**Ceiling Mount for
PTZ Camera**



Camera Baluns & Accessories



23-8201

**Press Fit Terminal
Passive Video Balun
with Mini-Coax BNC**



23-8203

**Screw Terminal
Passive Video Balun
with Mini-Coax BNC**



23-8301-01

**RJ45 Jack Passive
Video Balun with DC
Power and Mini-Coax
BNC**



23-8302-01

**RJ45 Jack Passive
Video Balun with DC
Power, Audio and
Mini-Coax BNC**



23-4808

**8-Port
POE Switch**



23-8334

**POE Splitter
48V In - 12V Out**



23-8336

**Passive 12V POE
Injector - Splitter**



23-8338

**Passive Waterproof 12V
POE Injector - Splitter**



17-0058

**BNC Cable
6Ft./12Ft.**



23-7004

**1 to 4 DC Power
Splitter**



23-7010

**Pre-Made Siamese
Video and Power
Camera Cable
33/66/100Ft.**



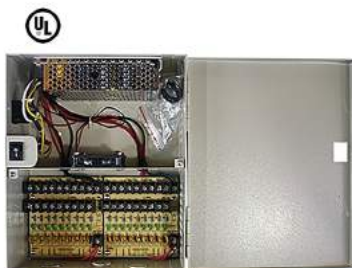
96-0231

**High Sensitive Audio
Pickup Mic for CCTV
Security System**



23-71210-09

**9CH 12V DC Power
Supply Box 10A**



23-71210-18

**18CH 12V DC Power
Supply Box 18A**



42-41202

**12V 2A DC
Power Adapter**



42-41205

**12V 5A DC
Power Adapter**



Doorbells



23-2020-01

- Wireless Remote Control Doorbell**
with Receiver x 1 and Remote x 1
- 16 pieces of chord melodies
 - Adjustable volume $\geq 85\text{dB}$
 - Advanced every saving
 - Million groups of learning codes
 - Transmit distance up to 80m



23-2020-02

- Wireless Remote Control Doorbell**
with Receiver x 1 and Remotes x 2
- 16 pieces of chord melodies
 - Adjustable volume $\geq 85\text{dB}$
 - Advanced every saving
 - Million groups of learning codes
 - Transmit distance up to 80m



23-2020-03

- Wireless Remote Control Doorbell**
with Receivers x 2 and Remotes x 1
- 16 pieces of chord melodies
 - Adjustable volume $\geq 85\text{dB}$
 - Advanced every saving
 - Million groups of learning codes
 - Transmit distance up to 80m



23-2023-02

- Infrared Alarm Remote Control DoorChime**
with Main Unit x 1, Infrared Sensor x 1 and Remote x 1
- 16 pieces of chord melodies
 - Adjustable volume $\geq 85\text{dB}$
 - Advanced every saving
 - Million groups of learning codes
 - Transmit distance up to 80m



23-2023-03

- Infrared Alarm Remote Control DoorChime**
with Main Unit x 1, Infrared Sensor x 2 and Remote x 1
- 16 pieces of chord melodies
 - Adjustable volume $\geq 85\text{dB}$
 - Advanced every saving
 - Million groups of learning codes
 - Transmit distance up to 80m



23-2025

- Optical-induction DoorChime**
- 8 pieces of chord melodies
 - Max volume $\geq 85\text{dB}$
 - Advanced every saving
 - Working distance $< 6\text{m}$
 - Working luminance $< 20\text{lux}$



23-2025-01

- Wireless Remote Control Doorbell**
with Touch Receiver x 1 and Remote x 1
- 8 pieces of chord melodies
 - Max volume $\geq 85\text{dB}$
 - Advanced every saving
 - Million groups of learning codes
 - Transmit distance up to 80m



23-2031

- WiFi Video Doorphone**
with Wifi Doorphone x 1 and Ringer x 1
- WiFi or wired internet connection supported
 - Motion detection and night vision function with alarm signals set up
 - Remotely Smartlock unlocking function
 - 2-way intercom with professional digital noise reduction and echo cancellation



23-2032

- WiFi Video Doorphone with 7" Monitor**
Included: Wifi 7" touch monitor x 1 and x 1 Doorphone
- Adjustable volume, image brightness and chroma
 - Motion detection and night vision function with alarm signals set up
 - Outdoor gate lock and Smartlock unlocking function on both smartphone or indoor unit supported
 - 2-way intercom with professional digital noise reduction and echo cancellation



23-2034

- Color Video Doorphone with 4.3" Monitor**
Included: 4.3" touch monitor x 1 and x 1 Doorphone
- Adjustable volume, image brightness and chroma
 - Water proof doorphone with night vision function
 - Outdoor gate lock and Smartlock unlocking function by indoor unit supported
 - 2-way intercom with professional digital noise reduction and echo cancellation



Patch Panels & Keystone



Available Colors: Red, Blue, White, Green
Yellow, Grey, Orange and Black

CAT 5e and CAT6 Network Patch Cords

CAT5e	CAT6e	Length
07-4501	07-4601	1 FT
07-4502	07-4602	2 FT
07-4503	07-4603	3 FT
07-4505	07-4605	5 FT
07-4510	07-4610	10 FT
07-4515	07-4615	15 FT
07-4525	07-4625	25 FT
07-4550	07-4650	50 FT
07-4575	07-4675	75 FT
07-4500	07-4600	100 FT



07-6011-12V
12 Port Vertical UTP
CAT5e Patch Panel



07-6011-12
12 Port UTP CAT5e
Network Patch Panel



07-6011-24
24 Port UTP CAT5e
Network Patch Panel



07-6011-48
48 Port UTP CAT5e
Network Patch Panel



07-6012-12V
12 Port Vertical UTP
CAT6e Patch Panel



07-6012-12
12 Port UTP CAT6e
Network Patch Panel



07-6012-24
24 Port UTP CAT6e
Network Patch Panel



07-6012-48
48 Port UTP CAT6e
Network Patch Panel



07-6019
CAT3 Keystone Jack



07-6022
CAT5 Keystone Jack
White, Blue & Black



07-6026
CAT6 Keystone Jack
White, Blue & Black



07-6041
RJ45 PVC Boot
White, Blue, Black &
Orange



07-6045
RJ45 8P8C
Connector



07-6046
EZ-RJ45 8P8C
Pass-through
Connector



07-6048
3.5mm Stereo
Keystone Jack



07-6050
BNC Keystone Jack



Keystones & Mounting Boxes



07-6051
**F Type Gold-Plated
Keystone Jack**



07-6052
**Blank Insert for F
Type Connector**



07-6053
**Blank Keystone Jack
Insert**



07-6055
**Banana Binding Post
Keystone Jack**



07-6057
**RCA Keystone Jack
Yellow, White, Red,
Blue & Green**



07-6057-01
**RCA Punch Down
Keystone Jack**



07-6058
**Toslink Optical
Keystone Jack**



07-6060
**RJ45 CAT6 In-line
Coupler**



07-6060-01
**RJ12 CAT3 In-line
Coupler
White & Black**



07-6062
**RJ45 CAT6
Keystone Coupler
White & Black**



07-6063
**USB 3.0 A/F to A/F
Keystone Jack**



07-6064
**USB 2.0 A/F to B/F
Keystone Jack**



07-6065
**USB 2.0 B/F to B/F
Keystone Jack**



07-6066
**USB 2.0 A/F to A/F
Keystone Jack**



07-6067
**HDMI F-F Keystone
Jack**



07-6067-03
**HDMI F-F Keystone
with Pigtail**



07-6070-01
**1-Port Keystone
Jack Surface Mount
Box**



07-6070-02
**2-Port Keystone
Jack Surface Mount
Box**



07-6070-04
**4-Port Keystone
Jack Surface Mount
Box**



07-6070-06
**6-Port Keystone
Jack Surface Mount
Box**



Wall Plates & Mounting Boxes



07-6070-08
8-Port Keystone Jack Surface Mount Box



07-6071-01
1-Port Keystone Wall Plate with VGA



07-6071-02
2-Port Keystone Wall Plate with VGA



07-6071-04
4-Port Keystone Wall Plate with VGA



07-6072-01
1*XLR-M Stainless Steel Wall Plate



07-6072-02
2*XLR-M Stainless Steel Wall Plate



07-6072-11
1*XLR-F Stainless Steel Wall Plate



07-6072-22
2*XLR-F Stainless Steel Wall Plate



07-6072-24
2*XLR-F & 2*1/4" TRS Stereo Stainless Steel Wall Plate



07-6072-26
Speakon-F Stainless Steel Wall Plate



07-6072-28
1/4" TRS Stereo Jacks Stainless Steel Wall Plate



07-6072-31
1*XLR-M Wall Plate



07-6072-32
2*XLR-M Wall Plate



07-6072-41
1*XLR-F Wall Plate



07-6072-42
2*XLR-F Wall Plate



07-6072-52
Speaker Terminal Spring Clip Wallplate



07-6073
Low Profile Keystone Jack Wall Plate 1/2/3/4/6 Port



07-6074
Keystone Jack Wall Plate 1/2/3/4/6/8/12 Port



07-6081
Low Voltage Surface Mount Single-Gang Back-box



07-6083
Decora Keystone Insert 1/2/3/4 Port



Wall Plates & Network Panels



07-6084
Decora Face Plate
1/2/3 Gang



07-6085
Blank Face Plate
1/2/3 Gang



07-6086-01
Brush Wall Plate
Single Gang



07-6086-02
Brush Wall Plate
Double Gang



07-6088
Reversible Bulk Cable
Wall Plate 1/2 Gang



07-6089
Bulk Cable Wall
Plate 1/2 Gang



07-6091
Low Voltage Drywall
Metal Bracket



07-6092-01
Low Voltage Easy
Clip 1-Gang Bracket



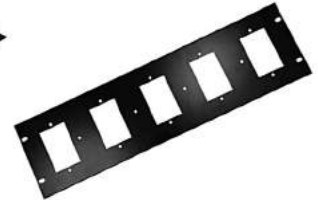
07-6092-02
Low Voltage 1-Gang
Nail-in Bracket



07-6092-03
Low Voltage 2-Gang
Plastic Bracket



07-6201
Cabinet Rack Rail
6/9/12/15/42U



07-6203-03
3U Decora Panel



07-6200-01
1U Blank Panel



07-6200-02
2U Blank Panel



07-6200-03
3U Blank Panel



07-6200-04
4U Blank Panel



07-6202-01
1U Blank Keystone
Panel



07-6202-02
2U Blank Keystone
Panel



07-6202-03
3U Blank Keystone
Panel



07-6202-04
4U Blank Keystone
Panel



Network Shelves & Accessories



07-6305
2U Rack Mount
Drawer



07-6307-20
1U Rack Mount
Shelf 20cm



07-6307-25
1U Rack Mount
Shelf 25cm



07-6307-30
2U Rack Mount
Shelf 30cm



07-6307-35
2U Rack Mount
Shelf 35cm



07-6307-40
2U Rack Mount
Shelf 40cm



07-6307-45
2U Rack Mount
Shelf 45cm



07-6311-35
1U Rack Mount
Fixed Shelf 35cm
for 60cm depth Rack



07-6311-55
1U Rack Mount
Fixed Shelf 55cm
for 80cm depth Rack



07-6311-70
1U Rack Mount
Fixed Shelf 70cm
for 100cm depth Rack



07-6312-35
1U Rack Mount
Sliding Shelf 35cm
for 60cm depth Rack



07-6312-55
1U Rack Mount
Sliding Shelf 55cm
for 80cm depth Rack



07-6312-70
1U Rack Mount
Sliding Shelf 70cm
for 100cm depth Rack



07-6314
1U 4-Ring Cable
Management Panel



07-6315
1U Metal Cable
Management Panel



07-6316
1U Brush Panel



07-6313-01
1U Hinged Extendable
Wall Mount Bracket



07-6313-02
2U Hinged Extendable
Wall Mount Bracket



07-6313-03
3U Hinged Extendable
Wall Mount Bracket



07-6313-04
4U Hinged Extendable
Wall Mount Bracket



Network Shelves & Accessories



07-6318-32
32U Vertical Cable Management Bar

07-6318-37
37U Vertical Cable Management Bar

07-6318-42
42U Vertical Cable Management Bar



42-0408
1U 8-Port Rack Mount Power Strip



07-6320-01
1U Rack Mount Cooling Panel



07-6320-02
1U Rack Mount Cooling Panel with Thermostat



07-6320-03
3U Rack Mount Cooling Panel



26-12030
AC Cooling Fan for Network Cabinet



07-6325-01
Heavy Duty Caster for Network Cabinet



07-6325-02
Caster with Brake for Network Cabinet



07-6325-03
Leveling Feet for Network Cabinet



07-6327
Standard Rack Screw



07-6328
Rack Mount Screw & Washer



07-6329-01
Lock for Network Cabinet



07-6329-02
Door Handle Lock for Network Cabinet



07-6329-03
Thermostat for Network Cabinet



07-6343
1U Lighting Panel



07-6344
1U Lighting Panel with Auto-Switch



Network Cabinets



07-6602-04

**Structured Wiring Lock Box
170*85*260mm**



07-6602-12

**DVR Lock Box
320*300*130mm**



07-6602-15

**DVR Lock Box
380*380*130mm**



07-6603-04

**4U Wall Mount Cabinet
600*260*280mm**



07-6603-06

**6U Wall Mount Cabinet
600*260*370mm**



07-6603-09

**9U Wall Mount Cabinet
600*260*510mm**



07-6605-04

**4U Corner Wall Mount
Network Cabinet
600*440*280mm**



07-6605-06

**6U Corner Wall Mount
Network Cabinet
600*440*370mm**



07-6605-12

**12U Corner Wall Mount
Network Cabinet
600*440*640mm**



07-6604

**4U Wall Mount
Network Cabinet
600*450*280mm**



07-6606

**6U Wall Mount
Network Cabinet
600*450*370mm**



07-6609

**9U Wall Mount
Network Cabinet
600*450*510mm**



Network Cabinets



07-6604B

**4U Wall Mount
Network Cabinet
600*550*280mm**



07-6606B

**6U Wall Mount
Network Cabinet
600*550*370mm**



07-6609B

**9U Wall Mount
Network Cabinet
600*550*510mm**



07-6612B

**12U Wall Mount
Network Cabinet
600*550*640mm**



07-6615B

**15U Wall Mount
Network Cabinet
600*550*770mm**



07-6612

**12U Wall Mount
Network Cabinet
600*450*640mm**



07-6615

**15U Wall Mount
Network Cabinet
600*450*770mm**



07-6618

**18U Wall Mount/Stand
Network Cabinet
600*450*920(990)mm**



07-6622

**22U Wall Mount/Stand
Network Cabinet
600*450*1100(1170)mm**



Server Cabinets & Open Racks



07-6818

**18U Standing Server Cabinet
600*800*990mm**



07-6822 07-6827

**Standing Server Cabinet
22U: 600*800*1170mm
27U: 600*800*1400mm**



07-6832 07-6837

**Standing Server Cabinet
32U: 600*800*1620mm
37U: 600*800*1840mm**



07-6622-01

**22U Open Server Rack
600*600*1190mm**



07-6632-01

**32U Open Server Rack
600*600*1640mm**



07-6637-01

**37U Open Server Rack
600*600*1860mm**



07-6642-01

**42U Open Server Rack
600*600*2090mm**



07-6842

**42U Standing Server Cabinet
600*800*2060mm**



07-6842-10

**42U Standing Server Cabinet
600*1000*2060mm**



Wiring Accessories



Solid Decoration Wiring Duct

- Solid: No slot design, for external wiring or where wire extration is not necessary
- Material: High impact, warp-proof PVC, self-extinguishing, UL approved
- Available Color: White
- Maximum service temperature: 85°C
- Application: Used extensively for electric wire application of indoor decoration or outdoor security and alarm system

Model No.	Width	Height	Length
07-6493-2516	25 mm	16 mm	2000 mm
07-6493-3816	38 mm	16 mm	2000 mm
07-6493-4040	40 mm	40 mm	2000 mm
07-6493-5050	50 mm	50 mm	2000 mm

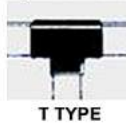


Decoration Wiring Duct

- Self-Adhesive Decoration Wiring Duct
- Material: High impact, warp-proof PVC, self-extinguishing, UL approved
- Available Color: Grey, White
- Maximum service temperature: 50°C
- Features: All sizes same height in 11 mm which were specially designed for flat cables
- Application: Used extensively for electric wire application of indoor decoration or outdoor security, alarm system

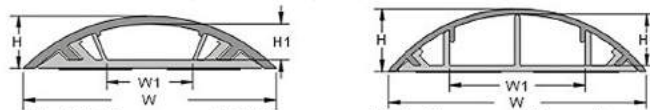
Model No.	Width	Height	Length
07-6494-01	12.7 mm	11 mm	2000 mm
07-6494-02	19.0 mm	11 mm	2000 mm
07-6494-03	25.4 mm	11 mm	2000 mm
07-6494-04	31.8 mm	11 mm	2000 mm
07-6494-05	38.1 mm	11 mm	2000 mm
07-6494-06	50.8 mm	11 mm	2000 mm

Accessories for Wiring Duct for 07-6494 series, 07-6493series



Round Type Overfloor Wiring Duct

- Material: High impact, warp-proof PVC, self-extinguishing
- Available Color: Beige
- Maximum service temperature: 85°C
- Features: Backed with high quality double sided tape for permanent stick
- Application: Good for floor wiring to facilitate trolley pass and to avoid trip
Special grooves design to avoid slip

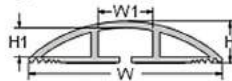


Model No.	Width	Height	Length
07-6495-06	60 mm	13 mm	1000 mm
07-6495-09	90 mm	19 mm	1000 mm
07-6495-12	120 mm	25 mm	1000 mm



Round Type Overfloor Soft Wiring Duct

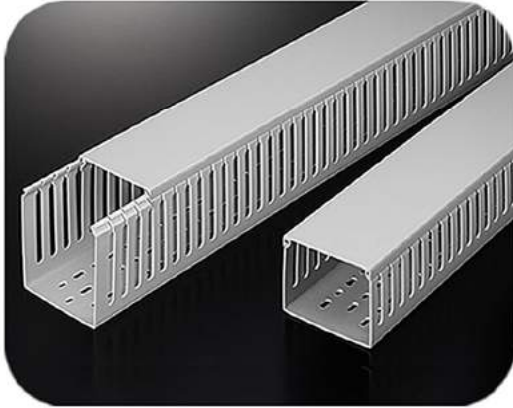
- Material: High quality PVC
- Available Color: Beige, Grey, Brown & Black
- Features: Soft PVC, packed in roll for easy storage, cut to required length for temporary wiring or permanent application, with double-sided tape
- Application: Good for floor wiring to facilitate trolley pass and to avoid trip, special grooves design to avoid slip



Model No.	Width	Height	Length
07-6496-02	25.4 mm	5.8 mm	1830 mm
07-6496-05	50.8 mm	11.6 mm	1830 mm
07-6496-06	66.0 mm	15.3 mm	1830 mm
07-6496-07	76.2 mm	17.4 mm	1830 mm
07-6496-10	101.6 mm	23.2 mm	1830 mm



Wiring Accessories



Open Slot Wiring Duct

- Material: High impact, warp-proof PVC, self-extinguishing, UL approved
- Available Color: White & Grey
- Maximum service temperature: 50°C
- These wiring ducts are for routing of wires within devices in factory installations where the stuiability of use
- Features parallel holes on both side to facilitate cutting in wire application

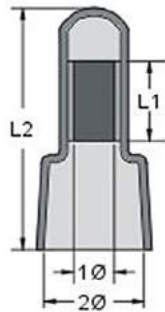
Model No.	Width	Height	Length
07-6497-00	25 mm	25 mm	2000 mm
07-6497-02	45 mm	45 mm	2000 mm
07-6497-06	72 mm	64 mm	2000 mm
07-6497-08	100 mm	100 mm	2000 mm

OC Type Cable Marker



- Material: Rigid PVC
- Maximum service temperature: 85 C
- Each marker will accomodate multiple wire sizes
- Clip-on design enable it to grip wire/cable firmly in position after termination attached
- Standard color: White body marker in black description
- O shape design to prevent marker conflict of close wire termination

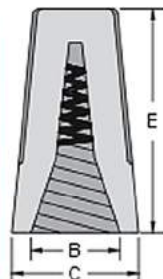
Available Models	Wire Suitable mm	Available markings	Packing (spool)
07-6510-01	2.5~3.0	0, 1, 2, ... 9	1000pcs
07-6510-03	4.2~5.1	0, 1, 2, ... 9	1000pcs
07-6510-04	5.1~6.2	0, 1, 2, ... 9	500pcs



Close-End Wire Connector

- Material: UL approved Nylon
- Nylon insulated close-end wire connector
- To apply, insert pre-stripped wires into connector tube and crimp it with crimping tool to hold wires firmly even in vibration

Available Models	L1	L2	1Ø	2Ø	Packing (spool)
12-9070-02	7.5mm	20mm	3mm	8.0mm	100pcs
12-9070-05	8.5mm	25.3mm	3.8mm	10.5mm	100pcs
12-9070-08	8.5mm	27.8mm	4.7mm	12.0mm	100pcs



Screw On Wire Connector

- Material: Tough thermoplastic, UL 94V-2 flame-retardant shell
- Strip wires before application
- Rated at 600 volt max. for building wiring
- Temp. 105C (221F)
- Spring design provides more secure connection

Available Models	B	C	E	Colour	Packing (spool)
12-9080-03	9.9mm	12.2mm	22mm	Orange	100pcs
12-9080-05	11.2mm	14mm	24mm	Yellow	100pcs



Self-Wrap Sleeving & Heatshrinks



Heat shrink tubing available in the following colours: Red, Black, White, Transparent (clear), Yellow, Pink, White and Green.

PART NO.	SIZE (MM)	EXPANDED INSIDE THICKNESS	EXPANDED WALL THICKNESS	RECOVERED AFTER HEATING INSIDE DIAMETER (MAX)	RECOVERED AFTER HEATING WALL THICKNESS (MAX)
22-1/16	1.5	2.0 ± 0.2	0.20 ± 0.1	0.75	0.42 ± 0.1
22-3/32	2.0	2.5 ± 0.2	0.20 ± 0.1	1.00	0.44 ± 0.1
22-1/8	3.0	3.5 ± 0.2	0.25 ± 0.1	1.50	0.50 ± 0.1
22-3/16	4.5	4.8 ± 0.3	0.25 ± 0.1	2.00	0.52 ± 0.1
22-1/4	6.0	6.5 ± 0.3	0.25 ± 0.1	3.00	0.52 ± 0.1
22-3/8	9.0	9.5 ± 0.3	0.36 ± 0.1	4.50	0.70 ± 0.1
22-1/2	12.0	12.5 ± 0.3	0.36 ± 0.1	6.00	0.70 ± 0.1
22-3/4	18.0	18.7 ± 0.4	0.40 ± 0.1	9.00	0.77 ± 0.1
22-1"	25.0	25.5 ± 0.5	0.46 ± 0.1	12.50	0.90 ± 0.1
22-1 1/2"	38.0	37.0 ± 1.0	0.50 ± 0.1	17.50	0.86 ± 0.1
22-2"	50.0	48.5 ± 0.5	0.52 ± 0.1	24.00	1.15 ± 0.1

Flexible Split Loom

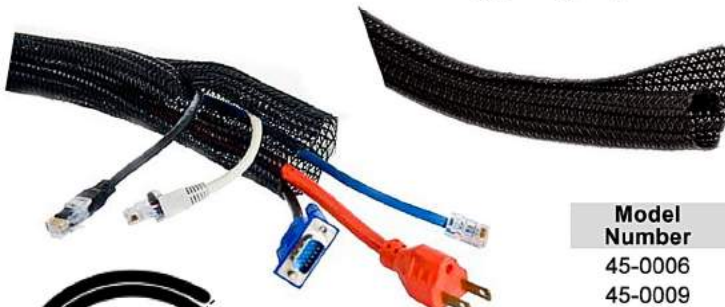


*Flexible Polyethylene Material
Easy, Cost and Labor Effective Split Installation
Resists Chemicals & Solvents
Abrasion Resistant*

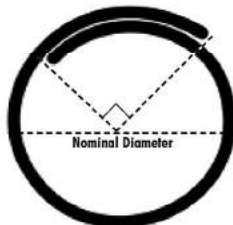


Model Number	Nominal Size (Inch)	Nominal Size (mm)	Length per Box (Feet)
45-0106	1/4"	6 mm	25 Ft
45-0109	3/8"	9 mm	25 Ft
45-0113	1/2"	13 mm	25 Ft
45-0119	3/4"	19 mm	25 Ft
45-0125	1"	25 mm	25 Ft
45-0132	1 1/4"	32 mm	25 Ft
45-0138	1 1/2"	38 mm	25 Ft
45-0150	2"	50 mm	25 Ft

Self Wrapping Split Braided Sleeving



*VW-1, FAR 25
Easy, Cost and Labor Effective Wraparound Installation
More Flexible than spiral wrap of split convuluted tubing
25% Edge Overlap
Resists Chemicals & Solvents
Cut and Abrasion Resistant*

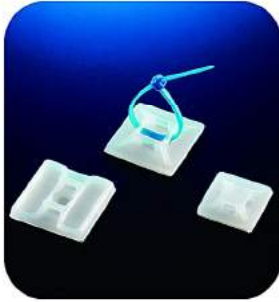


Material: PET
Grade: F6F
Monofilament Dia.: 0.008" - 0.015"

Model Number	Nominal Size (Inch)	Nominal Size (mm)	Length per Box (Feet)
45-0006	1/4"	6 mm	200 Ft
45-0009	3/8"	9 mm	150 Ft
45-0013	1/2"	13 mm	75 Ft
45-0019	3/4"	19 mm	40 Ft
45-0025	1"	25 mm	20 Ft
45-0032	1 1/4"	32 mm	20 Ft
45-0038	1 1/2"	38 mm	20 Ft
45-0050	2"	50 mm	15 Ft



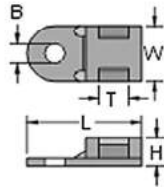
Cable Ties & Tie Mounts



Self Adhesive Tie Mount

- Material: UL approved Nylon
- Available Colour: Natural
- Designed to support light weight wire bundles when properly applied to any clean, smooth, grease-free surface
- For heavy support, mounting hole is provided for screws
- To apply, simply peel off backing paper and apply mount to surface

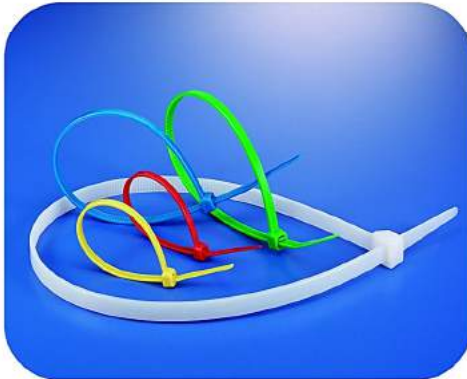
Available Models	L	W	H	Mounting Hole	H	Packing (spool)
44-0005	26.1mm	26.1mm	6.0mm	4.3mm	8.0mm	100pcs



Saddle Type Tie Mount

- Material: UL approved Nylon
- Available Colour: Natural
- Saddle design provides maximum stability to wire bundles
- To apply, simply fix mount with a screw and secure wire bundles with nylon cable ties

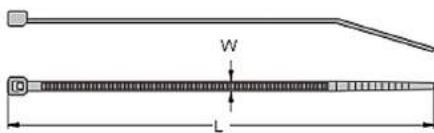
Available Models	H	L	W	T	B	Packing (spool)
44-0010-0M	5.0mm	19.0mm	9.5mm	5.0mm	4.3mm	100pcs



Nylong Cable Tie

- Material: UL approved Nylon 66, 94V-2
- Available Colours: Natural, Black
- Feature: Used to bundlewires and cables
- Application: Insert tie into lock of head andpull out easily to bundleit

Available Models	Length	Width
44-0025-04	4"	2.5mm
44-0025-06	6 1/8"	2.5mm
44-0025-08	8"	2.5mm
44-0036-06	6"	3.6mm
44-0036-08	8"	3.6mm
44-0036-10	10"	3.6mm
44-0048-08	8"	4.8mm
44-0048-10	10"	4.8mm
44-0048-12	12"	4.8mm
44-0048-18	17 3/4"	4.8mm



Mounting Cable Tie

- Material: UL approved Nylon
- Available Colours: Natural, Black
- The cable tie can be secured to panel with a single bolt

Available Models	Length	Width	A	Packing (spool)
44-0125-04	113mm	2.5mm	3.2mm	100pcs
44-0137-06	171.5mm	3.7mm	5.2mm	100pcs
44-0142-08	221.3mm	4.2mm	5.2mm	100pcs
44-0148-12	300mm	4.8mm	4.8mm	100pcs





Crimping & Stripping Tools



50-4010
Micro Long Nose
Plier



50-4013
Micro Cutter
(Flatted) Fit for
Copper-wire only



50-4019
Micro Long Nose
Plier



50-4028-08
8" Adjustable
Wrench



50-4028-10
10" Adjustable
Wrench



50-4032B
6" Long Nose Plier



50-4041
6" Side Cutting Plier



50-4042B
6" Diagonal Cutting
Plier



50-4081
4.5" Side Cutting
Plier



50-4082
4.5" Snip Nose Plier



50-4084
4.5" Long Nose Plier



50-4103
Utility Knife
Available in: Yellow,
Orange, Red.



50-4120
Strain Relief
Assembly Tool



50-4200
Dial Caliper
0-200x0.2mm



50-4202
Crimping Tool for
Butt Connectors /
Telephone Spades /
Terminal



50-4203
Terminal Ratchet
Crimping Tool



Crimping & Stripping Tools



50-4206

**6.5" Cable Cutter
Cuts up to 10.5mm**



50-4206-01

**6.5" Cable Cutter
Cuts up to 10.5mm**



50-4210F

**Crimping Tool for
RJ45 8P8C**



50-4212

**Crimping Tool for
CAT 3/5/6 Cable**



50-4213

**Modular Crimping
Tool for 6P/8P
EZ-RJ12/RJ45
Pass-Through**



50-4215

**Crimp-n-Test Tool
for 4P/6P/8P
RJ11-RJ12-RJ45
Connectors**



50-4301C

**Crimping Tool for
Coaxial Cable**



50-4301H

**Crimping Tool for
10-22AWG Insulated
Terminal**



50-4314

**Punch Down Tool for
Patch Panel -
Keystone**



50-4314-2

**Punch Down Tool for
Patch Panel -
Keystone**



50-4315

**Impact/Punch Down
Tool for Patch Panel
- Keystone**



50-4322

**Easy Strip & Punch
Down for CAT Cable**



50-4332

**Two-Blade Rotary
Stripper Tool for
RG58/59/6**



50-4332C

**Rotary Stripper &
Cutter Tool for
Coaxial Cable**



50-4501

**Adjustable Cable
Stripper Tool**



50-4501S

**Rotary Stripper Tool
for RG58/59/6**



Crimping & Stripping Tools



50-4507

**Snap-n-Seal
Crimping Tool for
F/BNC/RCA
Connectors**



50-4511

**Cable Tie Fasten
Gun with Auto-Cut
and Safety Stop**



50-4519

**Cable Tie Fasten
Tool with Auto-Cut
and Safety Stop**



50-4521

**7 in 1 Copper Wire
Stripper for
10-22AWG**



50-4525

**Self-Adjusting
Stranded Wire
Stripper&Cutter
Tool for 10-24AWG**



50-4601

Claw



50-4602

Introducer



50-4610

IC Extractor



50-4611B

**Anti-Static Wrist
Strap**



50-4710

Voltage Detector



50-4755

**Snap Ring Plier Set
with Multi-Heads**



50-4801

**Soldering Paste for
Soldering and
Tinning**



50-4803

Soldering Wick



50-4808

Soldering Wire Tube



50-4810

Soldering Wire Roll



50-4817

Desoldering Pump



Soldering Tools



50-4830
Electric Soldering Iron cUL
Available:
30W-40W-60W



50-4833
Electric Soldering Gun 100W



50-4834
Heat Gun 300W
Adjustable Temp.
50~650°C



50-4835
Soldering Stand



50-4836
Tweezer Set 4PCs



50-4837
Hook & Pick Set 4PCs



50-4838
Soldering Aid Kit 5PCs



50-4841
Tester Screwdriver



50-4845
Precision Screwdriver Set 38PCs



50-4846
Precision Screwdriver Set 6PCs



50-4847
Screwdriver Set 37PCs



50-4850
Mini Hobby Vise



50-4855
Helping Hands with Magnifier for Soldering



50-4857
Fishing Rod 3.3Ft x 10PCs



50-4860
Tool Case



Magnifying Lamps



Model No.	Specification
50-49304	3.0 x 75mm
50-49306	3.0 x 100mm
50-49308	3.0 x 200mm
50-49504	5.0 x 100mm
50-49506	5.0 x 150mm
50-49508	5.0 x 200mm
50-49510	5.0 x 250mm
50-49604	6.0 x 100mm
50-49605	6.0 x 125mm
50-49606	6.0 x 150mm
50-49608	6.0 x 200mm
50-49610	6.0 x 250mm
50-49612	6.0 x 300mm



50-4861-52

Magnifying Table Lamp
 - Diopter: 5D
 - Lens Size: 4"
 - Light: 36 LEDs 4W



50-4861-54

Magnifying Table Lamp
 - Diopter: 5D
 - Lens Size: 4"
 - Light: 48 LEDs 5W



50-4863

Magnifying Lamp
 - Diopter: 5D
 - Lens Size: 5"
 - Light: 60 LEDs 6W



50-4863-01

Round Floor Stand for Magnifying Lamp



50-4863-02

Floor Stand for Magnifying Lamp



50-4864-05

Magnifying Table Lamp
 - Diopter: 5D
 - Lens Size: 6"
 - Light: 48 LEDs 10W



50-4865-05

Magnifying Table Lamp
 - Diopter: 5D
 - Lens Size: 6"
 - Light: T5 Fluorescent 28W



50-4865-1

Cross Floor Stand for Magnifying Lamp



Crimping & Stripping Tools



50-4871

Network Cable Tester for RJ11-RJ12-RJ45

- Test communication cables like CAT3/5/6.
- Automatically runs all tests for continuity, open or shorted circuit and crossed wire pairs.
- Slow, fast switch and LED indicator shows malfunctions.
- Can be used on RJ11, RJ12 and RJ45 connectors.



50-6201

Remote Cable Tester for RJ11/RJ45/USB/BNC

- Fast speed in testing CAT3/5/6, USB and BNC cables.
- Detachable module for testing two remote points.
- LEDs indicator shows open/short circuit, connected and crossover wire(RJ11/RJ45).
- Maximum cable length 600ft (RJ45, RJ11 and BNC).
- Automatic deactivation.



50-6218

Multi-Function Cable Tester with Wire Tracker

- Find RJ11, RJ45 or BNC cable among group of cables.
- Find short or breakage in non-powered wires.
- Perform wire mapping on RJ45 cables, detecting shorted and open wires.
- Volume control for fine-tuning the tone generator.
- Included headphones for use in noisy areas.



50-6237

Digital AC/DC Clamp Meter 600V/1000A

- AC/DC current and voltage measurement(Auto Range).
- Resistance, diode and audible measurement.
- Sleep function to save battery.
- Data hold function to freeze readings on the digital display.
- Digital display with maximum counts of 4000.



50-6360

Analog Multimeter 1000V

- Check both AC and DC parameters with continuity buzzer on Ohms.
- Resistance, capacitance and diode check.
- Mirrored needle indicator with accurate reading.
- Up to 1000V on both AC and DC voltage.
- Fuse & diode protection.
- 20 versatile ranges for testing.



50-6801

Digital Multimeter 600V

- AC/DC voltage and current, capacitance, continuity, diode, frequency and resistance check.
- Digital display with 3-3/4 digits 4000 count.
- Auto Power-off function.
- Captive test leads prevent confusion of measurement polarity.
- Data and range hold function to freeze readings on the digital display.



Microphones & Accessories

96-0247

UHF PROFESSIONAL WIRELESS MICROPHONE SYSTEMS

96-0247-01



Carrier Wave Freq. Range: UHF 600~700 MHz
 Oscillation Mode: Quartz Controlled Fixed Freq.
 Sensitivity: -105dB @ SINAD=12dB
 Freq. Responses: 40Hz~18KHz
 Output:
 - 1 x Unbalance 1/4"(mix), 0-200mV
 - 2 x Balance XLR, 0-400mV
 AF Output Impedance: 2.2KΩ
 Working distance: up to 200ft
 Input Power: 12~18V DC, 0.35A.



FEATURES:
 • 2 x Wireless Microphones

FEATURES:
 • 2 x Wireless Headsets



96-0257

FEATURES:
 • 2 x Wireless Microphones
 • Rack mountable



96-0257-01

FEATURES:
 • 1 x Wireless Headset
 • 1 x Wireless Microphone
 • Rack mountable



96-0265

FEATURES:
 • 4 x Wireless Microphones
 • Rack mountable

Carrier Wave Freq. Range: UHF 600~700 MHz
 Oscillation Mode: Quartz Controlled Fixed Freq.
 Sensitivity: -105dB @ SINAD=12dB
 Freq. Responses: 40Hz~18KHz
 Output:
 - 1 x Unbalance 1/4"(mix), 0-200mV
 - 2 x Balance XLR, 0-400mV
 AF Output Impedance: 2.2KΩ
 Working distance: up to 200ft
 Input Power: 12~18V DC, 0.35A.



96-0265-01

FEATURES:
 • 2 x Wireless Microphones
 • 2 x Wireless Headsets
 • Rack mountable



96-0200-01

Headset Microphone



96-0200-05

Headset Microphone



96-0200-08

Clip Microphone



96-0231

High Sensitive Audio Pickup Microphone



96-0233

Pro Dynamic Microphone



96-0270

Meeting Microphone



Professional DJ Mixers



96-8203 Compact 4-CH USB Interface Mixer

Features:

- Ultra-compact 4-CH USB computer interface mixer
- USB 2.0 terminal and sound card function, DC 5V low voltage power supply
- Audio data can be sent between the mixer and computer
- Built-in +48V phantom power for studio condenser mics
- Ultra-wide 40 dB gain range
- 3 BAND EQ, 80Hz, 2.5KHz, 12KHz, ± 15 dB
- FADER level, digital ECHO (Delay, Level, Mute)
- MIC/LINE (TRS & XLR 2-in-1) mono input, 1/4" TRS guitar input
- 1/4" TRS LINE stereo inputs (L & R)
- 1/4" TRS MAIN output jacks (L & R), 1/4" TRS stereo headphone jack
- 3.5mm headset microphone input & headset headphone output jacks
- Sealed rotary controls to resist dust and grime



96-8204 Compact 4-CH Premium Mixer

Features:

- Ultra-compact 4-CH mixer featuring signature low noise, high-headroom design
- 2 studio-grade AEG2 Extended Dynamic Range mic preamps with 130 dB dynamic range and distortion under 0.0007% (20Hz - 20kHz)
- Ultra-wide 60 dB gain range
- 4 high-headroom line inputs
- 2 selectable instrument inputs - no DI box needed
- 2-Band Active EQ (80Hz, 12kHz) and Lo-Cut filter on mic channels
- Phantom power for studio condenser mics
- Dedicated Stereo Line input and Tape input channels
- High-resolution 8 segment stereo meters
- Sealed rotary controls to resist dust and grime
- Sleek, rugged steel chassis



96-8212 12-CH Premium USB Audio Mixer

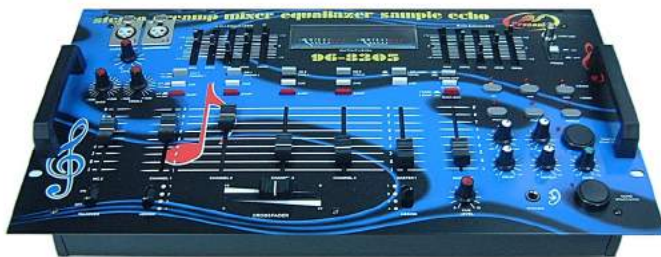
Features:

- 12-Input 2/2-Bus Mixer with XENYX Mic Preamps Compressors
- Premium ultra-low noise, high headroom analog mixer
- 24-bit Multi-FX processor
- 4 state-of-the-art XENYX, phantom-powered Mic Preamps comparable to stand-alone boutique preamps
- 4 studio-grade compressors with super-easy "one-knob" functionality and control LED for professional vocal and instrumental sound
- Neo-classic "British" 3-band EQs for warm and musical sound
- Built-in stereo USB/Audio Interface to connect directly to your computer
- 2 aux sends per channel: 1 pre fader & 1 post fader
- Clip LEDs and mute/alt 3-4 function on all channels
- 2 subgroups with separate outputs for added routing flexibility
- 2 multi-functional stereo aux returns with flexible routing
- Balanced main mix outputs with gold-plated XLR connectors
- Control room/phones outputs with multi-input source matrix
- Long-wearing 60-mm logarithmic-taper faders and sealed rotary controls
- Rack mount brackets included for ultimate flexibility
- High-quality components and exceptionally rugged construction ensure long life

96-8305 Professional DJ Mixer

Features:

- 10 bands equalizer, 2 master level control
- 3 mic inputs - 2 amp outputs, sampler, echo and cue
- Freq. response: 20hz-20kz ± 3 dB
- Distortion: line/phono/mic -0.09%
- S/N ratio : +70dB equalizer 60Hz, 250Hz, 1kHz, 4kHz, 12kHz
- Sensitivity: mic 1.5mv (600 ohms), phono 3mv (47K ohms)
line 150mv (22K ohms)
- Delay time: 30ms - 300ms
- Sampling: 8S/8S/8S, 8/16/24S
- Mic tone: Bass 100Hz ± 12 dB
Treble 10kHz ± 12 dB
- Talkover attenuation: -12dB
- Headphone: 500mV /16 ohms





Pro DJ Amplifier Speakers

87-43101

Professional Active DJ Mixer Kit with Built-in MP3 Player and 2 x Monitor Speaker

Woofer	2 x 10"
Power-Watts	500W (250W RMS)
Sensitivity (-dB)	94 dB
Response (Hz)	20Hz - 20kHz
Oz Woofer	40 oz
Tweeter/Size	Voice Coil: 38 mm, Piezo tweeter
Enclosure	Impact resistant ABS

Feature:

- 4 x XLR line input, 1 x 1/4" stereo input
- 5 bands graphic equalizer
- Built-in DSP stereo input (SD/MP3/USB)
- 2 x tripod stands, 2 x wire microphones
- Treble, Bass reverb and level control per channel



Professional 2-Way Active Speaker Box with Built-in MP3 Player and Bluetooth

87-4312EB

87-4315EB

Woofer	12" Cone Transducer	15" Cone Transducer
Power-Watts	800W (400W RMS)	1000W (500W RMS)
Sensitivity (-dB)	94 dB	96 dB
Response (Hz)	35Hz - 20kHz	35Hz - 20kHz
Oz Woofer	50 oz	60 oz
Tweeter/Size	1.35" Titanium Dome	1.75" Titanium Dome
Enclosure	Impact resistant ABS	Impact resistant ABS

Feature

- 2 x XLR female input, stereo RCA input
- Built-in USB/SD/Bluetooth
- MP3 Control Digital Display
- LED lighting with on/off switch
- 35mm pole mounting sockets

Professional 2-Way Active Speaker Box with Built-in MP3 Player, Bluetooth and FM

87-4312TN

87-4315TH/TN

Woofer	12" Cone Transducer	15" Cone Transducer
Power-Watts	800W (400W RMS)	1000W (500W RMS)
Sensitivity (-dB)	94 dB	96 dB
Response (Hz)	35Hz - 20kHz	35Hz - 20kHz
Oz Woofer	50 oz	60 oz
Tweeter/Size	1.35" Titanium Dome	1.75" Titanium Dome
Enclosure	Impact resistant ABS	Impact resistant ABS

Feature

- 1 x XLR female, 1 x 1/4" jack input for mic
- 2 x RCA Line input/output
- USB/SD/Bluetooth/FM/EQ interfaces
- 2 x wireless mics
- LED lighting around woofer, built-in battery
- 35mm pole mounting sockets



Professional Active Subwoofer Box

87-4318

87-4318W

Woofer	18" Subwoofer	18" Subwoofer
Power-Watts	2000W P.M.P.O.	1000W (500W RMS)
Sensitivity (-dB)	122 dB (114dB max SPL)	122 dB (114dB max SPL)
Response (Hz)	20Hz - 120Hz	20Hz - 120Hz
Oz Woofer	60 oz	60 oz
Tweeter/Size	4 Ohms	4 Ohms
Enclosure	Painted brick plywood	Impact resistant ABS

Feature

- 2 x XLR female input, 2 x XLR male output
- 1 x speaker level input
- Crossover function, polarity reverse selector
- High Pass Filter (HPF) function
- High impact metallic grid
- 35mm pole mounting sockets



Microphone Accessories



96-1902

**Microphone Windscreen
Foam Cover**



96-3011

**Flexible Gooseneck
8/10/12/15"**



96-3021

**Microphone Table
Flange Mount**



96-3023

**Microphone
Butterfly Clip**



96-3028

Microphone Holder



96-3034

**Microphone Table Stand
with Holder - Metal Base**



96-3038

**Microphone Table
Stand with Holder**



96-3039

**Gooseneck Microphone
Table Stand
with Holder - Metal Base**



96-3302

**Adjustable Round Base
Microphone Stand**



96-3321

**Adjustable Tripod
Microphone Stand**



96-4000-00

**Adjustable Height
Speaker Floor Stand**



96-4000-01

**Adjustable Height
Speaker Floor Stand**



96-4000-03

**Adjustable Height
Speaker Floor Stand**



96-4000-04

**Speaker Floor Stand
Tempered Glass Base**



96-4001

**Heavy Duty Adjustable
Tripod Speaker Stand**



96-4004

**Heavy Duty Crank Up
Tripod Speaker Stand**



Music & Lighting Stands



96-4005

**Heavy Duty Speaker
Wall Mount Bracket**



96-4007-01

Speaker Floor Stand



96-4007-02

**Adjustable Speaker
Floor Stand**



96-4009

**Professional Music
Book Folding Stand**



96-4010

Guitar Stand



96-4016

**Adjustable Guitar
Stand**



96-4029

**Double-X Keyboard
Stand**



96-4045

19" DJ Mixer Stand



96-4046

**19" DJ Mixer Stand
with Mic Holder**



96-5009

**Heavy Duty Adjustable
Tripod Lighting Stand**



96-5011

**Heavy Duty Adjustable
Stage Lighting Stand**



Ceiling Speakers & PA Systems



89-8100/12

**Impedance/Voltage
Volume Control
100-200W/100V**



89-8106

**6.5" 2-Way Ceiling
Speaker with Tweeter
120W - 8Ω - 90dB**



89-8108

**8" 2-Way Ceiling
Speaker with Tweeter
180W - 8Ω - 89dB**



89-8206

**6.5" 2-Way Ceiling
Speaker with Tweeter
150W - 8Ω - 90dB**



89-8208

**8" 2-Way Ceiling
Speaker with Tweeter
200W - 8Ω - 90dB**



89-8226

**6.5" 2-Way In-Wall
Speaker with Tweeter
120W - 8Ω - 89dB**



89-8228

**8" 2-Way In-Wall
Speaker with Tweeter
180W - 8Ω - 89dB**



89-8308

**8" Ceiling Subwoofer
120W - 8Ω - 88dB
40Hz-5000Hz**



89-8310/12

**10"/12" Ceiling
Subwoofer 180W/220W
8Ω - 89dB - 40Hz-5000Hz**



89-8316

**PA Speaker 70~100V
100W - 91dB**



89-8317

**PA Speaker
150W - 8Ω - 90dB**



89-8405

**5.25" 2-Way Mini Box
Speaker with Tweeter
160W - 8Ω - 90dB**



89-8406

**6.5" 2-Way Mini Box
Speaker with Tweeter
200W - 8Ω - 90dB**



96-8300

**Amplifier for PA system
with USB, BT and FM
150W - 4~16Ω - 70~100V**



96-8302

**Amplifier for PA system
with USB, BT and FM
150W - 4~16Ω - 2 Zone**



96-8304

**Amplifier for PA system
with USB, BT, FM, Echo
2x150W - 4~16Ω - Stereo**



Tweeters - Raw Woofers - Sirens



89-100
Horn Driver Unit
100W - 16Ω



89-130T
3.5" Composite
Dome Tweeter
50W - 8Ω



89-144T
4.25" Composite
Dome Tweeter
120W - 8Ω



89-250
5" Dome Midrange
80W - 8Ω



A4208
4" Raw Woofer
100W - 8Ω



A5208
5" Raw Woofer
150W - 8Ω



A6308
6.5" Raw Woofer
150W - 8Ω



A8308
8" Raw Woofer
200W - 8Ω



A10308
10" Raw Woofer
300W - 8Ω



A12308
12" Raw Woofer
400W - 8Ω



A15408
15" Raw Woofer
500W - 8Ω



97-0308
Single Tone Alarm
Siren 15W
105dB - 200mA



97-0335
Single Tone Alarm
Siren 15W
108dB - 600mA



97-0336
Dual Tone Alarm
Siren 15W
102dB - 500mA



97-0355
Dual Tone Alarm
Siren 15W
110dB - 600mA



97-0358
Dual Tone Alarm
Siren 30W
118dB - 1200mA



97-0408

8" Mirror Ball



97-0412

12" Mirror Ball



97-0420

**Mirror Ball Motor with
Built in 18pcs colourful
LED
12V 500MA adapter**



97-0425

**Par36 Lamp Pin Spot,
Lamp Bulb Included**



97-0426

**Metal Spot Light
Combination
Complete set w/ bulb
PAR36
12V 32W adapter**



97-0426-01

**Metal Spot Light
Combination
Complete set w/ bulb
PAR36
6V 30W adapter**



97-0432

**Plastic Medium Strobe
Light
47pcs LED
3 colour changes
AC 12V 500MA adapter**



97-0435

**Mini Strobe Light
24pcs LED
Adjustable flashing
frequency
120V direct voltage**



97-0437

**Square Strobe Light
25W w/ molded reflector &
black case w/ bracket
3 coloured filters
AC cord w/ ON/OFF switch**



97-0461-BL

**Rotating Beacon
Blue Light
Flat Base, 12V**



97-0461-Y

**Rotating Beacon
Yellow Light
Flat Base, 12V**



97-0461-R

**Rotating Beacon
Red Light
Flat Base, 12V**



97-0501

**700W Fog Machine
4 colour LED
120V Direct Voltage**



97-0501-01

**1 L/PC Fog Machine
Liquid**



97-0512

**Big Metal Bubble Machine
12V 12W AC adapter**



97-0512-01

1 L/PC Fog Machine Liquid



Lightings & Lasers



97-0921

**OpenSign 58cm x 36cm
Super Bright 10mm LED
with Power Transformer
and chain hangers**



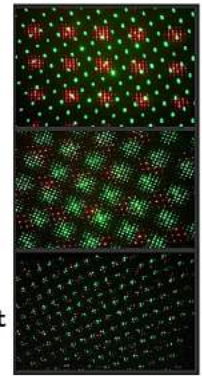
97-0926

**Ouvert Sign
(French Open Sign)
58cm x 36cm
Super Bright 10mm LED
with Power Transformer
and chain hangers**



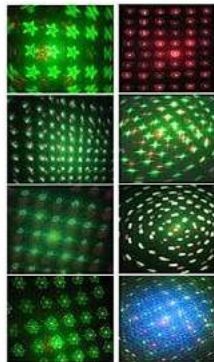
97-0881

**Mini Laser Dotted pattern
Double color mini stage light
semi automatic control
Rated voltage: DC5V
Laser color: Red green
Cooling: Fans compulsory cooling
Function: Automatic sound control
Work environment: Indoor**



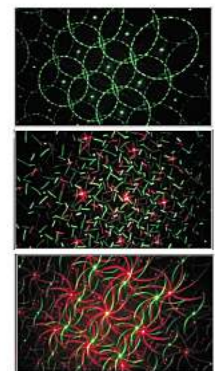
97-0885

**Mini Laser Multi pattern
Double color mini stage light
semi automatic control
Rated voltage: DC5V
Laser color: Red green
Cooling: Fans compulsory cooling
Function: Automatic sound control
Work environment: Indoor**



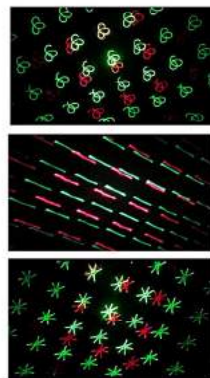
97-0886

**Mini Laser Ceiling Type
Double color mini stage light
semi automatic control
Rated voltage: DC5V
Laser color: Green / Red
Cooling: Fans compulsory cooling
Function: Automatic sound control
Work environment: Indoor, Ceiling**



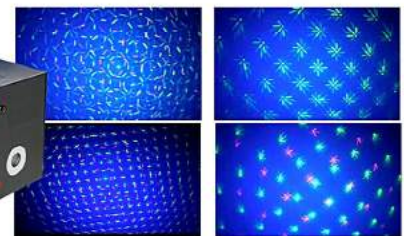
97-0887

**Mini Laser kaleidoscope pattern
Double color mini stage light
semi automatic control
Rated voltage: DC5V
Laser color: green
Cooling: Fans compulsory cooling
Function: Automatic sound control
Work environment: Indoor**



97-0888

**Mini Laser Dotted pattern
Blue background/flashing blue
Mini Laser Dotted pattern
Double color mini stage light
semi automatic control
Rated voltage: DC5V
Laser color: Green / Red / Blue
Cooling: Fans compulsory cooling
Function: Automatic sound control
Work environment: Indoor**



97-0891

**Mini LED Magic Ball Light
Lightweight mini stage light
Automatic control
Auto sound-active
Rated voltage: DC12V
Function: Automatic sound control
Work environment: Indoor**



LED Strip Lighting & Accessories

IP67 Waterproof Color LED Strips

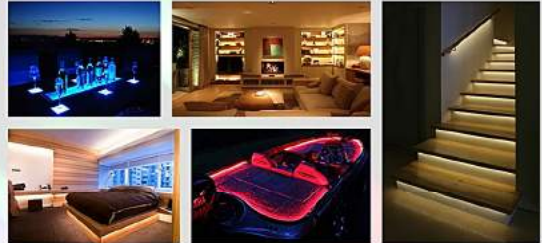


97-283560

- Available Color: Red (R), Green (G), Blue (B), Orange (O), Warm White (WW), Cool White (W)
- LED type: 2835 SMD 60 LEDs/Meter
- Package: 5M/Reel
- Input voltage: 12V DC
- Power consumption: 24W/Reel

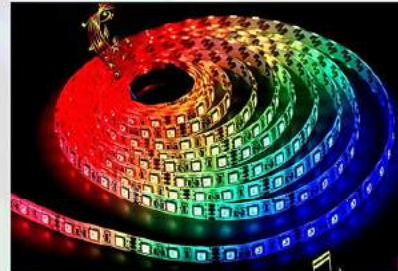
Application:

- Suitable for outdoor/indoor decoration lighting
Eg. Store, Retail product displays.
Building outlines and signages.
- Shelves, staircase accents design.
- Holidays, parties decorative lighting.



97-505060W

- LED type: 5050 SMD Cool White
- LED quantity: 60 LEDs/Meter
- Package: 5M/Reel
- Input voltage: 12V DC
- Power consumption: 72W/Reel



97-505030RGB

- LED type: 5050 SMD RGB
- LED quantity: 30 LEDs/Meter
- Package: 5M/Reel
- Input voltage: 12V DC
- Power consumption: 36W/Reel



97-5050-04

RGB LED Strip
Bluetooth Controller



97-5050-05

RGB LED Strip IR
Controller with Remote



97-505060RGBW

- LED type: 5050 SMD RGB+White
- LED quantity: 60 LEDs/Meter
- Package: 5M/Reel
- Input voltage: 12V DC
- Power consumption: 72W/Reel



97-5050-12

RGBW LED Strip IR
Controller with Remote



97-5050-13

RGBW LED Strip
Bluetooth Controller



97-505030CRGB

- LED type: 5050 SMD Chip+RGB
- LED quantity: 30 LEDs/Meter
- Package: 5M/Reel
- Input voltage: 12V DC
- Power consumption: 36W/Reel



97-5050-01

CRGB LED Strip RF
Controller with Remote



97-5050-02

CRGB LED Strip
Bluetooth Controller



97-5050-06

RGB LED Strip
Signal Amplifier



97-5050-10

LED Strip RF
Dimmer with Remote



15-3025

2.1mm DC Connector
with Wire for LED Strip



15-3027

4-Pin Connector
for RGB LED Strip



HDTV Antennas



53-6023

**Digital Indoor Paper Thin
HDTV Antenna with Amplifier**

VHF: 47-230MHz 25dB
UHF: 470-862MHz 36dB
Amplifier gain: 40 dB

53-6162

**Digital Indoor/Outdoor
HDTV Antenna**

VHF: 87.5-230MHz 20dB
UHF: 470-862MHz 25dB



HIGH DEFINITION TELEVISION



EAGLESTAR pro
MODEL: 53-6165VA
**DIGITAL INDOOR/OUTDOOR
HDTV ANTENNA**

- Anti-LV lightning and waterproof design.
- Lightweight, compact size and easy to install.
- Plug and play with digital TV signal reception.
- Wide range boost for the excellent DTV and VHF signal reception.
- Specialty Compatible with HDTV of various digital terrestrial system (ATSC-T, ISDB-T, DMB-TH, ATSC).
- Built-in high gain and low noise preamplifier.
- Frequency Range: UHF: 470-862MHz UHF: 470-862MHz
- Antenna Gain: VHF: 20dB UHF: 36dB
- Amplifier Gain: 40dB
- Impedance: 75 Ω
- Power Supply: DC 12V / 500mA
- Plug up range: 1000ft
- Remote: Amplifier





EAGLESTAR pro
MODEL: 53-6165VA
**DIGITAL INDOOR/OUTDOOR HDTV
ANTENNA WITH AMPLIFIER**

**NUMÉRIQUE INTÉRIEUR / EXTÉRIEUR
ANTENNE HDTV AMPLIFIÉE**

Digital VHF+UHF WITH 40DB AMP

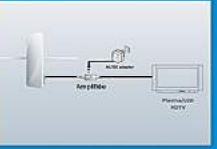

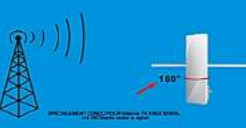
HDTV Compatible





EAGLESTAR pro
MODEL: 53-6165VA
**NUMÉRIQUE INTÉRIEUR / EXTÉRIEUR
ANTENNE HDTV AMPLIFIÉE**

- Anti-LV et foudroiement étanche.
- Léger, taille compacte et facile à installer.
- Plug and play avec TV numérique et analogique.
- Large gamme de boost pour la réception excellente du signal de bande UHF et VHF.
- Spécialisé compatible avec HDTV de divers systèmes terrestres (ATSC-T, ISDB-T, DMB-TH, ATSC).
- Constructeur à gain élevé et préamplificateur à faible bruit.
- Gamme de Fréquence: UHF: 470-862MHz UHF: 470-862MHz
- Gain de l'antenne: VHF: 20dB UHF: 36dB
- Gain de l'amplificateur: 40dB
- Impédance: 75 Ω
- Alimentation: DC 12V / 500mA
- Plaque de portée: 1000ft
- Protocoles: HDTV

EAGLESTAR pro
MODEL: 53-6165VA
**DIGITAL INDOOR/OUTDOOR HDTV
ANTENNA WITH AMPLIFIER**

**NUMÉRIQUE INTÉRIEUR / EXTÉRIEUR
ANTENNE HDTV AMPLIFIÉE**

Antenna Installation / Installation of Antenna





53-6165

**Digital Outdoor HDTV
UHF Antenna**
UHF: 470-862MHz 36dB



53-6165V

**Digital Outdoor HDTV
VHF&UHF Antenna**
VHF: 87.5-230MHz 25dB
UHF: 470-862MHz 36dB



53-6165A

**Digital Outdoor HDTV
UHF Antenna with Amplifier**
UHF: 470-862MHz 36dB
Amplifier gain: 40 dB



53-6165VA

**Digital Outdoor HDTV VHF&
UHF Antenna with Amplifier**
VHF: 87.5-230MHz 25dB
UHF: 470-862MHz 36dB
Amplifier gain: 40 dB



HDTV Signal Amplifiers

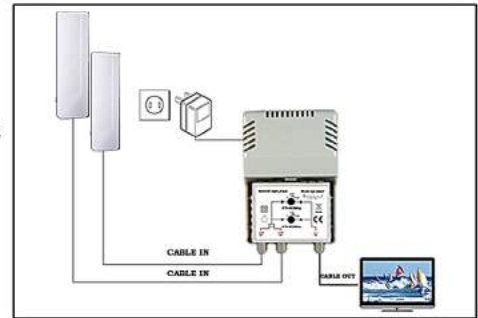


53-3510

2 IN 1 OUT AMPLIFIED COMBINER

Specifications:

- Number of inputs: 2
- Number of output: 1
- Operating Freq: 470-862MHz
- Gain adjust range: 15-30dB



53-3511

1-PORT HDTV SIGNAL AMPLIFIER

Specifications:

- Number of output: 1
- Operating Freq: 54-1002MHz
- Return Path: 5-42MHz
- Amplifier Gain per output: 20dB

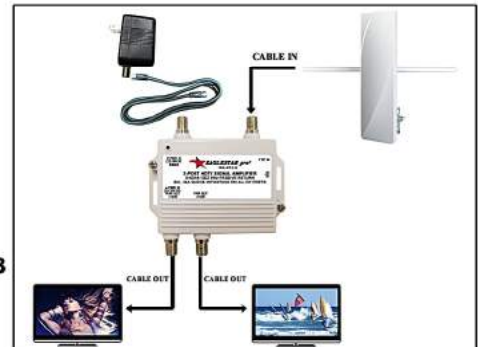


53-3512

2-PORT HDTV SIGNAL AMPLIFIER

Specifications:

- Number of outputs: 2
- Operating Freq: 54-1002MHz
- Return Path: 5-42MHz
- Amplifier Gain per output: 15dB

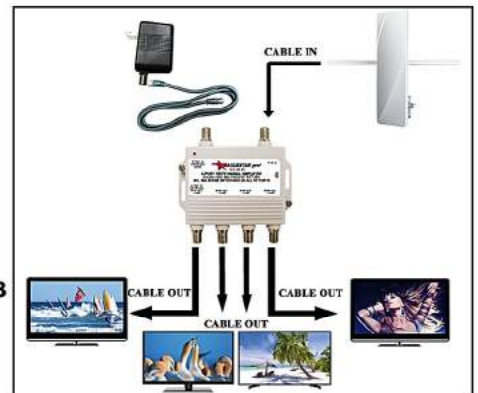


53-3514

4-PORT HDTV SIGNAL AMPLIFIER

Specifications:

- Number of outputs: 4
- Operating Freq: 54-1002MHz
- Return Path: 5-42MHz
- Amplifier Gain per output: 12dB

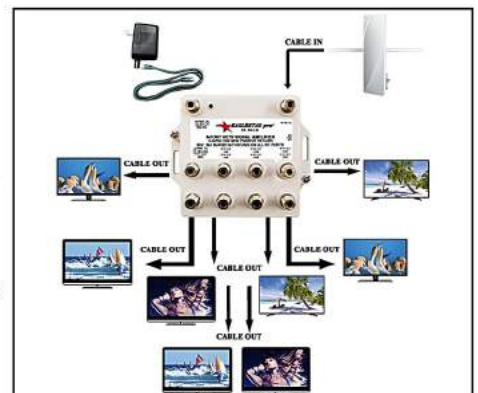


53-3518

8-PORT HDTV SIGNAL AMPLIFIER

Specifications:

- Number of outputs: 8
- Operating Freq: 54-1002MHz
- Return Path: 5-42MHz
- Amplifier Gain per output: 8dB





HD Antenna Accessories



53-3012

**2-Way RF Splitter
All Port Power Pass
5 - 2450MHz**



53-3013

**3-Way RF Splitter
All Port Power Pass
5 - 2450MHz**



53-3014

**4-Way RF Splitter
All Port Power Pass
5 - 2450MHz**



53-3018

**8-Way RF Splitter
All Port Power Pass
5 - 2450MHz**



53-3221X

**SW-21X Multi-Switch
950 - 2400MHz**



53-3224

**2 In 1 Out Indoor
Signal Combiner
5 - 1000MHz**



53-3224-10

**2 In 1 Out Waterproof
Signal Combiner
0 - 862MHz**



53-MAST

**J Mast for HDTV
Antenna**



53-6401

**Long Pole J Mast for
HDTV Antenna**



53-6403

**3 FT Stainless Tripod
Stand**



53-6405

**5 FT Stainless Tripod
Stand**



53-6410

**Stainless Pipe for
HDTV Antenna
5Ft/10Ft**



53-6418

**Heavy Duty Wall Mount
Bracket for Antenna**



53-8001

**Flat Window RG-6
Cable Coupler F - F**



53-8110

Cable Nail-In Wall Clip



53-8110-10

Cable Wall Clip



Smartphone Accessories



70-5101-01

USB to MicroUSB Cable
Available Colors: Gold, Silver, Green, Pink, Blue, Orange and Black.



70-5101-06

USB to Lightning Cable
Available Colors: Gold, Silver, Green, Pink, Blue, Orange and Black.



70-5101-062

USB to Lightning and MicroUSB Cable
Available Colors: Gold, Blue, White, Red and Black.



70-5101-07

USB to Type-C Cable
Available Colors: Gold, Black and Grey.



70-5103-01

Stereo Earphone w/Microphone
Available Colors: Green, Blue, White, Red, Black, Yellow, Purple and Brown.



70-5103-02

Smartphone In-Ear Earphones w/Microphone and Volume Control



70-5103-03

Smartphone Earbuds w/Microphone and Volume Control
Available Colors: Green, Blue, White, Red, Black, Yellow, Purple and Brown.



70-S8/S9

Wireless Headphone w/Microphone and Volume Control
Available Colors: Purple, Blue, Red, Black, Yellow.



70-5105-01

Single USB Wall Charger 2A



70-5105-02

Dual USB Wall Charger with Quick Charge 3.0/2.0



70-5105-03

USB C Power Delivery Wall Charger 29W/45W



70-5105-04

Dual USB Car Charger 3.1A
Available Colors: Gold, Black and Blue.



70-5107-S5

Cases for Samsung Galaxy S7/S8/S9/Note



70-5107-06

Cases for iPhone 6/6S/7/8/X



70-5109-S5

Screen Protectors for Samsung Galaxy S7/S8/S9/Note (Matte/Tempered Glass)



70-5109-05

Screen Protectors for iPhone 6/7/8/X (Matte/Tempered Glass)



Smartphone Accessories



70-5110-01

Tablet Holder for Table



70-5110-04

Magnetic Air Vent Phone Holder



70-5110-11

Car Head Rest Tablet Holder



70-5110-12

Car Head Rest Phone Holder



70-5110-24

Bar Handle Phone Holder



70-5110-26

Air Vent Phone Holder



70-5110-27

Magnetic Air Vent Phone Holder



70-5110-29

Phone Holder Air Vent Clip



70-5110-51

Windshield Suction Phone Holder



70-5110-52

Car Charger Phone Holder



70-5110-55

Dashboard Suction Phone Holder



70-5110-57

Longpole Dashboard Suction Phone Holder



70-5110-78

Phone Holder Air Vent Clip



70-5110-81

Car Rearview Mirror Phone Holder



70-5110-84

Tablet Holder for Table



70-5110-86

Tablet Holder Floor Stand



Telephone Accessories



70-0003

Tel Handset Coil Cord
Lenght: 7', 15', 25', 50'
Colour: Ivory, White



70-0005

Tel Line Cord Male to Male
Lenght: 7', 15', 25', 50', 100'
Colour: Ivory, White



70-0007

Tel Ext Cord Male to Female with 1 Plug
Lenght: 15', 25', 50'
Colour: Black, Ivory, White



70-0008

Tel Ext Cord Male to Female with 2 Plug
Lenght: 15', 25', 50'
Colour: Ivory, White



70-0011

Single Modular Phone Wall Jack
Colour: Ivory, White



70-0012

Dual Modular Phone Wall Jack
Colour: Ivory, White



70-0014

Modular Phone Wall Jack With TV Jack
Colour: Ivory, White



70-0015

75 Ohm Coaxial Flush Wall Mount TV Cable Jack
Colour: Ivory, White



70-0016

Modular Wall Phone Mounting Assembly
Colour: Ivory, White



70-0021

Modular Surface Jack
Colour: Ivory, Jack



70-0022

Dual Surface Jack
Colour: Ivory, White



70-0031

4 Wire Tel Connector
Colour: Ivory, White



70-0032

Modular Duplex Jack
Colour: Ivory, White



70-0033

Modular Tel with 3 Plug
Colour: Ivory, White



70-0035

5 Outlet Tel Adaptor with 6 Fts Cable
Colour: Ivory, White



70-0041

Twisstop (Use For Handset Coil Cord Without Making Twist)
Colour: Transparent



Toggle Switches



13-5001

SPST 2P On-Off
125V 5A/250V 2A



13-5003

SPDT 3P On-On
125V 5A/250V 2A



13-5004

SPDT 3P (On)
125V 5A/250V 2A



13-5005

SPDT 3P On-Off-On
125V 5A/250V 2A



13-5007

SPDT 3P (On)-Off-On
125V 5A/250V 2A



13-5012

DPDT 6P On-On
125V 5A/250V 2A



13-5014

DPDT 6P On-Off-On
125V 5A/ 250V 2A



13-5016

DPDT 6P
(On)-Off-(On)
125V 5A/250V 2A



13-5019

3PDT 9P On-On
125V 5A/250V 2A



13-5020

3PDT 9P On-Off-On
125V 5A/250V 2A



13-5024

4PDT 12P On-Off-On
125V 5A/250V 2A



13-5201

SPST 2P On-Off
125V 3A / 250V 1A



13-5202

SPDT 3P On-On
125V 3A / 250V 1A



13-5301

SPST 2P On-Off
125V 3A



13-5304

DPDT 6P On-On
125V 10A



13-5305

DPDT 6P On-Off-On
125V 10A



13-5351

SPST 2P On-Off
250V 10A 125V 15A



13-5358

SPDT 3P On-Off-On
250V 10A 125V 15A



13-5361

DPDT 6P On-Off-On
250V 10A 125V 15A



13-5402

Push Button Round
(Open-Close)
125V 3A
Switch Cap color:
Red, Yellow available



Push Button & Micro Switches



13-5403B

**Push Button (Octagon)
Open 125V 3A
Cap Color: Blue, Green
available**



13-5406

**Push Button
Open/Closed
125V 1A**



13-5408

**Push Button
(Closed) 125V1A
Black Cap**



13-5423F

**Rocket Switch DPDT
6P Illuminated
Open/Closed 125V
16A**



13-5424

**Linear On-Off
125V 6A/250V 3A**



13-5425

**Circuit Breaker
5A-25A**



13-5427

**(SPST) On-Off
125V 16A/250V 10A**



13-5501

**SPST 2P On-Off
125V 10A/250V 6A**



13-5506

**DPDT 6P On-Off-On
125V 10A/250V 6A**



13-5507

**SPST 2P On-Off
125V 5A/250V
8A**



13-5603

**3P Illuminated
(SPST) On-Off
DC 12V 6A**



13-5605

**3P Illuminated
(SPST) On-Off
DC 12V 5A**



13-5611

**3P Illuminated
On-Off DC 12V
16A/24V 10A**



13-5701

**Micro Switch
5A125V/250V**



13-5702

**Micro Switch
Middle Lever
5A-125V/250V**



13-5703

**Micro Switch
Short Roller
5A-125V/250V**



13-5704

**Micro Switch
Long Roller
5A-125V/250V**



13-5705

**Micro Switch
Arch lever
5A-125V/250V**



13-5803

**Magnetic Switch
Normally:
Close (13-5803)
Open (13-5803B)**



13-5805B

**Magnetic Switch
Mini Type
Normally Open**



Power Bars & Extension Cords



42-0208

Plug Connector
125VAC 15A
NEMA 5-15P
SJT AWG 16-14



42-0209

Grounding Connector
125VAC 15A
NEMA 5-15R
SJT AWG 16-14



42-0214

Plug Connector
125VAC 15A
NEMA 1-15P
SPT-1 SPT-2
SJT AWG 18-16



42-0241

Grounding Adapter
AC 15A 125V
60Hz 1875W



42-0510

Indoor Extension Cord

Polarized plug
AWG: 16AWG*3C 105C
110/120V AC, 125V, 50/60Hz
13AMP, 1625W

For indoor use only in dry location

Part NO.	Length	Meter	Feet
42-0510-06	2M	6.56FT	
42-0510-10	3M	9.84FT	
42-0510-15	4.5M	14.76FT	
42-0510-20	6M	19.68FT	



42-0520



42-0521

Heavy Duty Indoor/Outdoor
Extension Cord

Weather proof Indoor-Outdoor extension cords are great for general everyday use

3 Outlet Plug

AWG: 16AWG*3C 105C

110/120V AC, 125V, 50/60Hz, 13AMP, 1625W

Insulated: 300V

Part NO.	Length	Meter	Feet
42-0520-06	2M	6.56FT	
42-0520-10	3M	9.84FT	
42-0520-15	4.5M	14.76FT	
42-0520-20	6M	19.68FT	
42-0520-25	7.6M	24.93FT	
42-0520-30	9.1M	29.85FT	
42-0520-60	18M	59.40FT	
42-0520-66	20M	65.61FT	

Also available in Right Angle

Part NO.	Length	Meter	Feet
42-0521-06	2M	6.56FT	



42-0402



42-0404



42-0402-01



42-0404-01



Power Bar

14AWG*3C*2FT
110/120V AC, 125V, 50/60Hz, 1875W
Illuminated ON/OFF switch
15AMP circuit breaker
6 outlets
For indoor use only in dry location



42-0246



6 Outlets Grounding
Current Tap
AC 15A 125V 60Hz 1875W



42-0248



6 Outlets Grounding
Current Tap With 2 USB
AC 15A 125V 60Hz 1875W

42-0408

19" Rack Mount Power Bar

110/120V AC, 125V, 50/60Hz, 1875W
8 outlets with Individual Illuminated
ON/OFF switches
15AMP circuit breaker
For indoor use only in dry location



42-0406

42-0408

42-0412

42-0406: 6-OUTLET Power Bar
42-0408-1: 8-OUTLET Power Bar
42-0412: 12-OUTLET Power Bar
110/120V AC, 125V, 50/60Hz, 1875W
15AMP circuit breaker
For indoor use only in dry location



Power Supplies & Transformers

AC-DC ADAPTERS



PART NO.	VOLTAGE	CURRENT	PART NO.	VOLTAGE	CURRENT
42-40501	5 V	1 A	42-41205	12 V	5 A
42-40502	5 V	2 A	42-41801	18 V	1 A
42-40601	6 V	1 A	42-41802	18 V	2 A
42-40602	6 V	2 A	42-42401	24 V	1 A
42-40901	9 V	1 A	42-42402	24 V	2 A
42-40902	9 V	2 A	42-44802	48 V	2 A
42-41201	12 V	1 A	42-44804	48 V	4 A
42-41202	12 V	2 A			



PART NO.	VOLTAGE	WATTAGE	CURRENT	PART NO.	VOLTAGE	WATTAGE	CURRENT
42-31203	12 V	35 W	3 A	42-32405	24 V	100 W	4.5 A
42-31205	12 V	50 W	4.5 A	42-32407	24 V	150 W	6.5 A
42-31206	12 V	75 W	6 A	42-32409	24 V	200 W	9 A
42-31209	12 V	100 W	8.5 A	42-32415	24 V	350 W	15 A
42-31213	12 V	150 W	12.5 A	42-34802	48 V	100 W	2.3 A
42-31217	12 V	200 W	17 A	42-34804	48 V	200 W	4.4 A
42-31229	12 V	350 W	29 A				

Step Up/Down Transformers

PART NO.	OUTPUT POWER	SIZE.mm L x W x H	N. W. (kg)
42-ST100	100W	130x95x90	1.6
42-ST200	200W	130x95x90	2.3
42-ST300	300W	150x120x105	3.5
42-ST500	500W	150x120x105	4.8
42-ST1000	1000W	210x180x150	8
42-ST2000	2000W	250x180x150	13
42-ST3000	3000W	250x180x150	14
42-ST5000	5000W	320x210x180	17
42-ST10000	10000W	320x250x250	32



Input Voltage: AC110V or 200V or 220V or 240V
 Output Voltage: AC110V and 220V
 With fuse protector or with over current protector

AC Automatic Voltage Regulator



Input Voltage: AC75V - 130V or 180V - 260V
 Output Voltage: AC110 ± 4% or AC220V ± 4%
 With over current protector and display of output voltage

PART NO.	OUTPUT POWER	SIZE.mm L x W x H	N. W. (kg)
42-AR500	500W	210x190x135	5.8
42-AR1000	1000W	250x215x135	9
42-AR2000	2000W	290x255x140	10
42-AR3000	3000W	290x255x140	12
42-AR5000	5000W	290x310x170	15

TRAVEL ADAPTERS

VOLTAGE (Max): 250V
 CURRENT(Amps): 15A



Back View

42-0301

42-0302

42-0303

42-0304

42-0305

42-0306

42-0332



42-5090

Universal AC adapter
 Input: AC 110V ~ 220V
 Output: 12V/15V/6V ---- 4A Max
 18V/19V/20V---- 4.5A Max
 24V----3.75A Max



42-5100

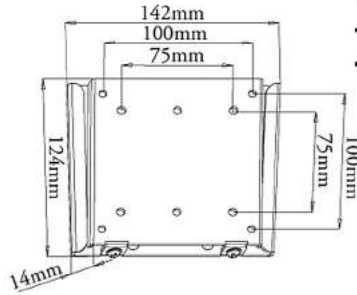
Universal AC adapter
 Input: AC 110V ~ 220V
 DC 12V
 Output: 12V/15V/6V ---- 4A Max
 18V/19V/20V---- 4.5A Max
 24V----3.75A Max





TV - Monitor - Speaker Mounts

64-0110



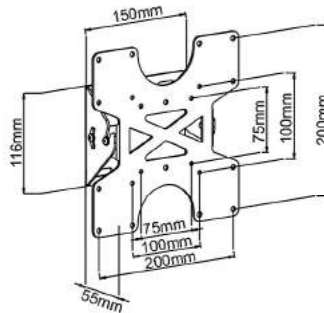
TV / Monitor Wall Mount

- Durable powder-coated finish
- Solid heavy-gauge cold steel construction
- Easy to install, compliant to VESA 100x100
- Distance from wall: 14mm

Tilt: N/A
Swivel: N/A



64-0113



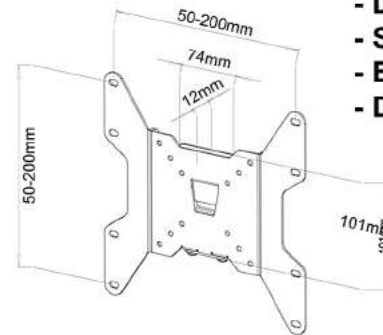
TV / Monitor Wall Mount

- Durable powder-coated finish
- Solid heavy-gauge cold steel construction
- Easy to install, compliant to VESA 200x200
- Distance from wall: 55mm

Tilt: +18°/-25°
Swivel: N/A



64-0114



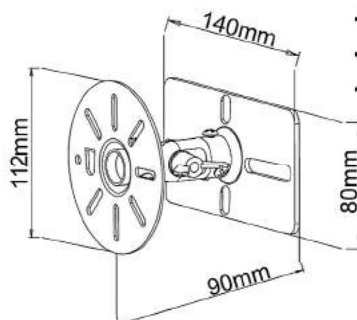
TV / Monitor Wall Mount

- Durable powder-coated finish
- Solid heavy-gauge cold steel construction
- Easy to install, compliant to VESA 200x200
- Distance from wall: 14mm

Tilt: N/A
Swivel: N/A



64-0305



Speaker Wall Mount

- Durable powder-coated finish
- Solid heavy-gauge cold steel construction
- Easy to install, free tilting and rotation
- Distance from wall: 86mm

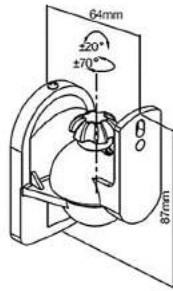
Tilt: +/-90°
Swivel: 180°





TV - Monitor - Speaker Mounts

64-0307



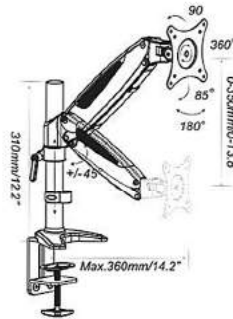
Speaker Wall Mount

- Durable nylon material
- Multi-angle adjustable
- Easy to install
- Distance from wall: 64mm

Tilt: $\pm 20^\circ$
Swivel: 140°



64-0345



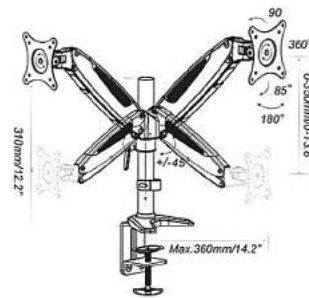
Single Monitor Desk Mount

- Durable powder-coated finish
- Easy to install, compliant to VESA 100x100
- Distance from mount: 360mm max

Tilt: $+90^\circ / -85^\circ$
Swivel: 180°



64-0347



Dual Monitor Desk Mount

- Durable powder-coated finish
- Easy to install, compliant to VESA 100x100
- Distance from mount: 360mm max

Tilt: $+90^\circ / -85^\circ$
Swivel: 180°

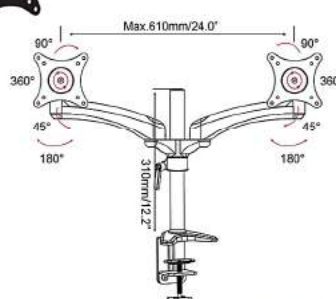


X 2



X 2

64-0348



Dual Monitor Desk Mount

- Durable powder-coated finish
- Easy to install, compliant to VESA 100x100
- Distance from mount: 360mm max

Tilt: $+45^\circ / -90^\circ$
Swivel: 180°



X 2

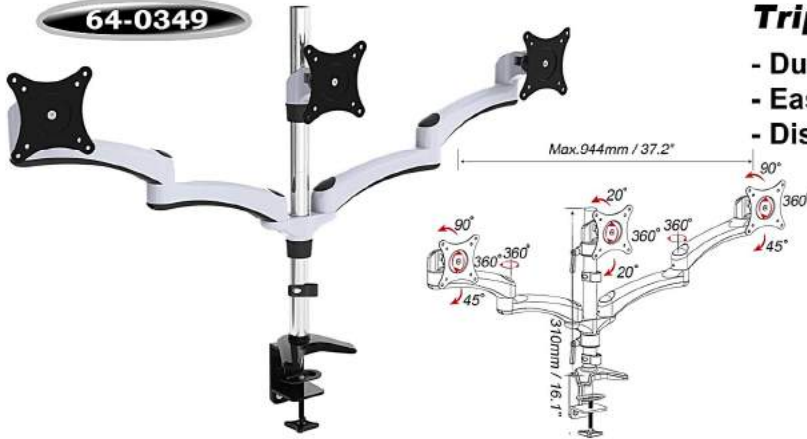


X 2



TV - Monitor Wall Mounts

64-0349



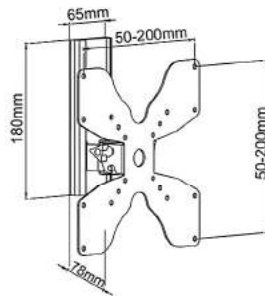
Triple Monitor Desk Mount

- Durable powder-coated finish
- Easy to install, compliant to VESA 100x100
- Distance from mount: 360mm max

Tilt: +45°/-90°
Swivel: 180°



64-0350



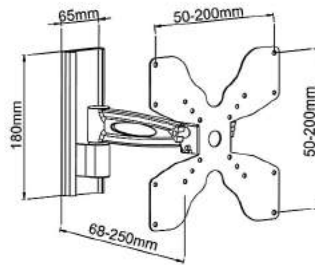
TV / Monitor Wall Mount

- Durable powder-coated finish
- Solid heavy-gauge cold steel construction
- Easy to install, compliant to VESA 200x200
- Distance from wall: 78mm

Tilt: +/-12°
Swivel: 30°



64-0351



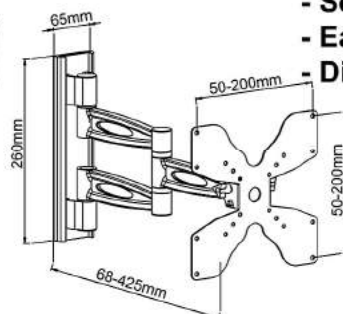
TV / Monitor Wall Mount

- Durable powder-coated finish
- Solid heavy-gauge cold steel construction
- Easy to install, compliant to VESA 200x200
- Distance from wall: 68-250mm

Tilt: +/-12°
Swivel: 180°



64-0352



TV / Monitor Wall Mount

- Durable powder-coated finish
- Solid heavy-gauge cold steel construction
- Easy to install, compliant to VESA 200x200
- Distance from wall: 68-425mm

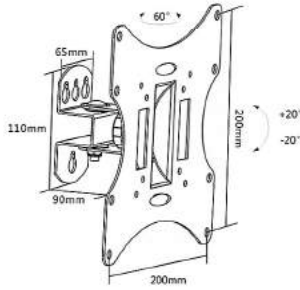
Tilt: +/-12°
Swivel: 180°





TV - Monitor Wall Mounts

64-0501



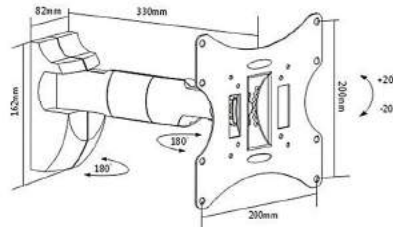
TV / Monitor Wall Mount

- Durable powder-coated finish
- Solid heavy-gauge cold steel construction
- Easy to install, compliant to VESA 200x200
- Distance from wall: 90mm

Tilt: +/-20°
Swivel: 60°



64-0502



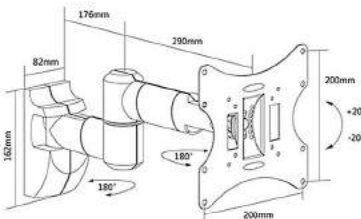
TV / Monitor Wall Mount

- Durable powder-coated finish
- Solid heavy-gauge cold steel construction
- Easy to install, compliant to VESA 200x200
- Distance from wall: 105-330mm

Tilt: +/-20°
Swivel: 360°



64-0503



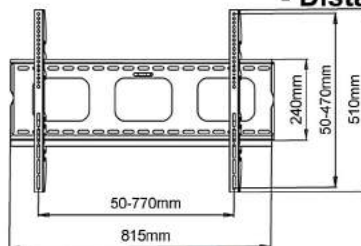
TV / Monitor Wall Mount

- Durable powder-coated finish
- Solid heavy-gauge cold steel construction
- Easy to install, compliant to VESA 200x200
- Distance from wall: 105-470mm

Tilt: +/-20°
Swivel: 360°



64-1101B



TV Wall Mount

- Durable powder-coated finish
- Solid heavy-gauge cold steel construction
- Easy to install, compliant to VESA 700x400
- Distance from wall: 80mm

Tilt: +/-15°
Swivel: N/A



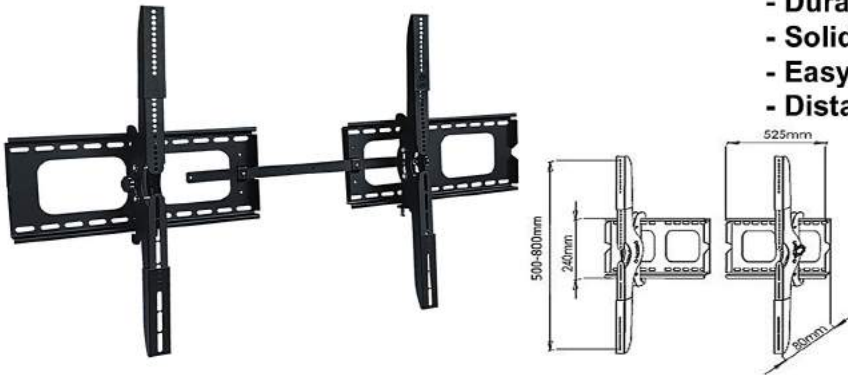


TV Wall Mounts

64-1101XL

TV Wall Mount

- Durable powder-coated finish
- Solid heavy-gauge cold steel construction
- Easy to install, compliant to VESA 1200x800
- Distance from wall: 80mm



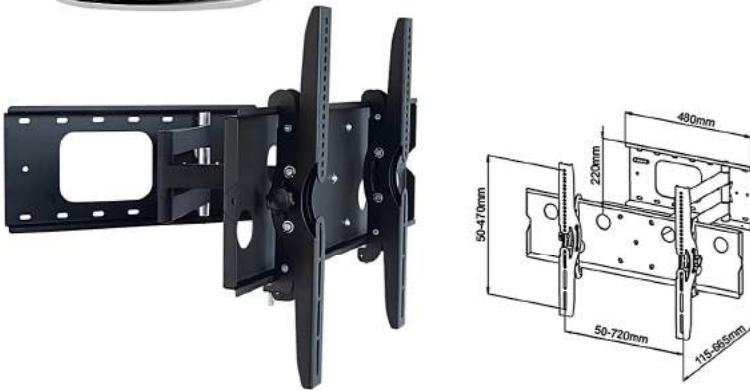
Tilt: +/-15°
Swivel: N/A



64-1109B

TV Wall Mount

- Durable powder-coated finish
- Solid heavy-gauge cold steel construction
- Easy to install, compliant to VESA 700x400
- Distance from wall: 115-665mm



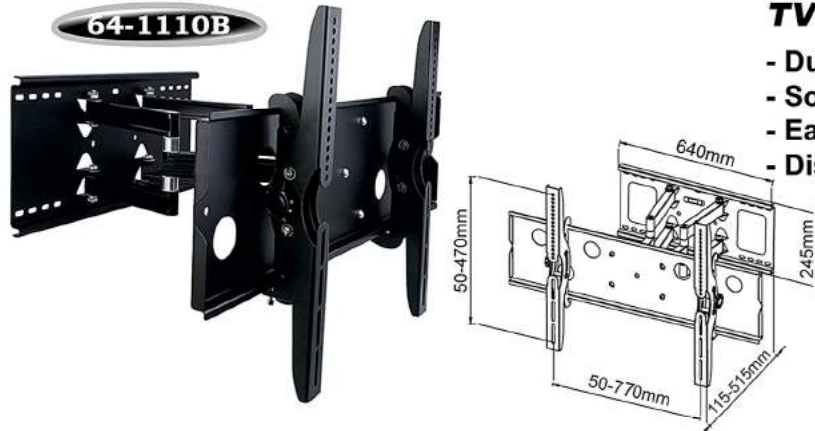
Tilt: +/-15°
Swivel: 180°



64-1110B

TV Wall Mount

- Durable powder-coated finish
- Solid heavy-gauge cold steel construction
- Easy to install, compliant to VESA 700x400
- Distance from wall: 115 - 515mm



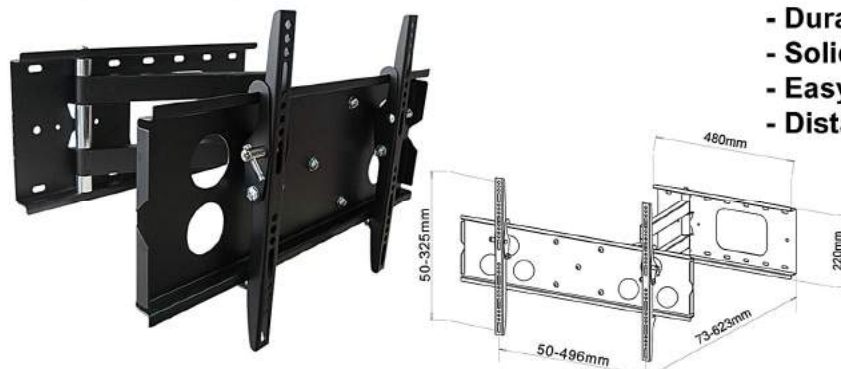
Tilt: +/-15°
Swivel: 90°



64-1126S

TV Wall Mount

- Durable powder-coated finish
- Solid heavy-gauge cold steel construction
- Easy to install, compliant to VESA 400x300
- Distance from wall: 73 - 623mm



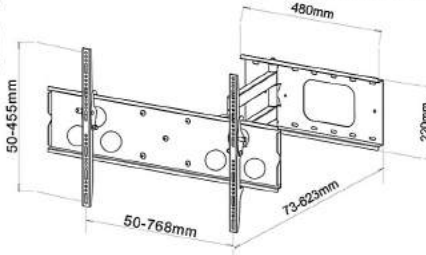
Tilt: -12°
Swivel: 180°





TV Wall Mounts

64-1126B



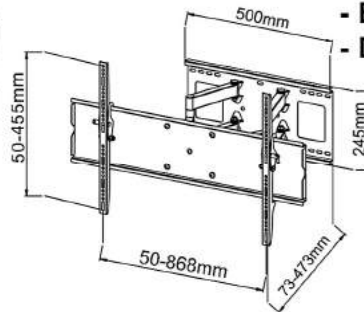
TV Wall Mount

- Durable powder-coated finish
- Solid heavy-gauge cold steel construction
- Easy to install, compliant to VESA 600x400
- Distance from wall: 73 - 623mm

Tilt: -12°
Swivel: 180°



64-1127L



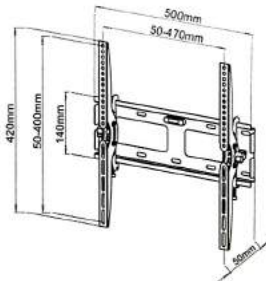
TV Wall Mount

- Durable powder-coated finish
- Solid heavy-gauge cold steel construction
- Easy to install, compliant to VESA 800x400
- Distance from wall: 73 - 473mm

Tilt: -12°
Swivel: 180°



64-1131M



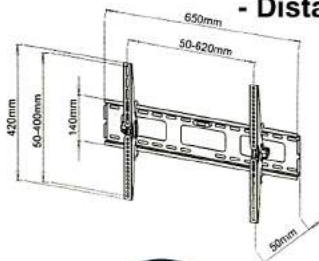
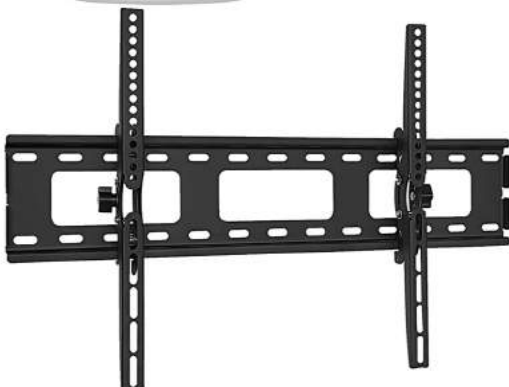
TV Wall Mount

- Durable powder-coated finish
- Solid heavy-gauge cold steel construction
- Easy to install, compliant to VESA 400x400
- Distance from wall: 50mm

Tilt: $\pm 15^{\circ}$
Swivel: N/A



64-1131L



TV Wall Mount

- Durable powder-coated finish
- Solid heavy-gauge cold steel construction
- Easy to install, compliant to VESA 600x400
- Distance from wall: 50mm

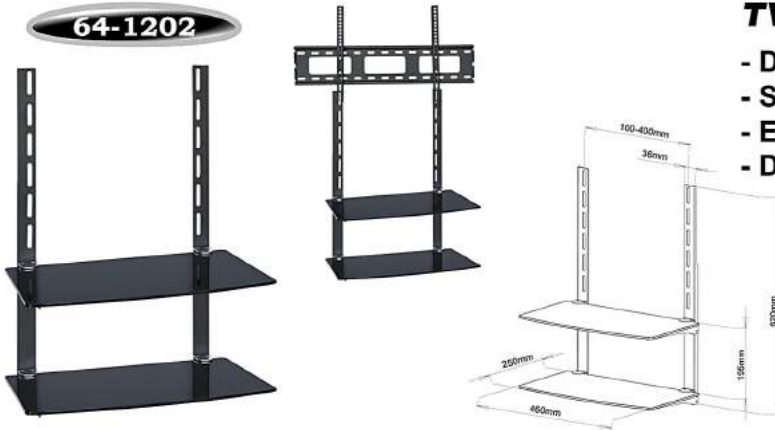
Tilt: $\pm 15^{\circ}$
Swivel: N/A





TV Shelves & Stands

64-1202



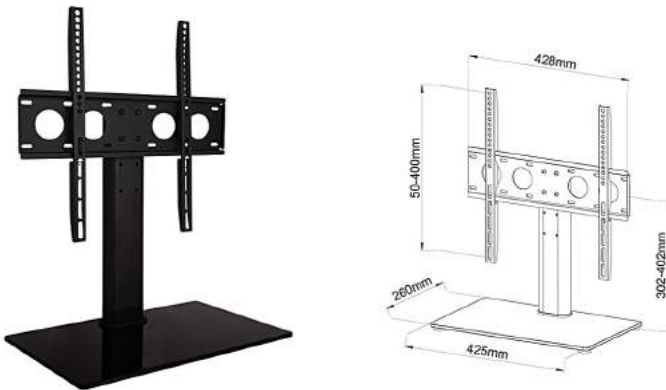
TV Mount Dual Glass Shelves

- Durable powder-coated finish
- Solid heavy-gauge cold steel construction
- Easy to install, tempered glass shelves
- Distance from mount: 250mm

Tilt: N/A
Swivel: N/A



64-1203



TV Table Top Stand

- Durable powder-coated finish
- Solid heavy-gauge cold steel construction
- Easy to install, compliant to VESA 400x400
- 8mm tempered safety glass base
- Adjustable height: 302 - 402mm

Tilt: N/A
Swivel: N/A



64-1205



TV Wall Mount

- Durable powder-coated finish
- Solid heavy-gauge cold steel construction
- Easy to install, compliant to VESA 800x400
- Adjustable height: 619 - 683mm

Tilt: N/A
Swivel: N/A



64-1210



Mobile Work Station Stand

- Durable powder-coated finish
- Solid heavy-gauge cold steel construction
- Easy to install, low profile rear feet
- Adjustable height: 1030 - 1250mm
- Equipped with four heavy duty casters

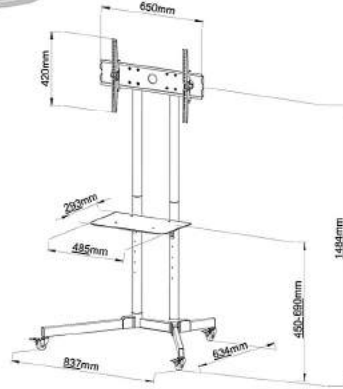
Tilt: 40°
Swivel: N/A





TV Floor Stands

64-1221



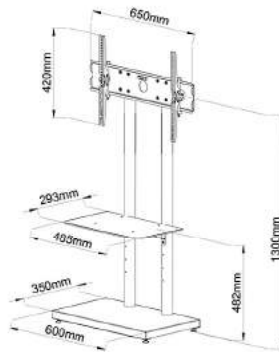
Mobile TV Floor Stand

- Durable powder-coated finish
- Solid heavy-gauge cold steel construction
- Easy to install, compliant to VESA 600x400
- Adjustable height: 1000 - 1500mm
- Equipped with four heavy duty casters

Tilt: +/-15°
Swivel: N/A



64-1275



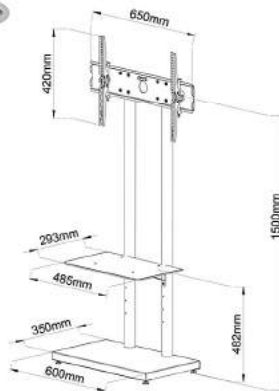
Fixed TV Floor Stand

- Durable powder-coated finish
- Solid heavy-gauge cold steel construction
- Easy to install, compliant to VESA 600x400
- Distance from floor: 1300mm

Tilt: +/-15°
Swivel: N/A



64-1295



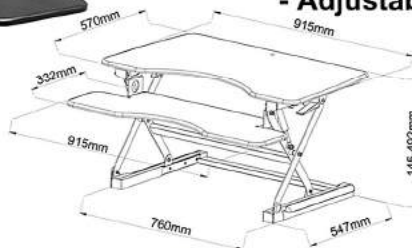
Fixed TV Floor Stand

- Durable powder-coated finish
- Solid heavy-gauge cold steel construction
- Easy to install, compliant to VESA 600x400
- Distance from floor: 1500mm

Tilt: +/-15°
Swivel: N/A



64-1310



Adjustable Height Standing Desk

- Durable powder-coated finish
- Solid cold steel, MDF board construction
- Easy to install, large working surfaces
- Adjustable height: 145 - 492mm

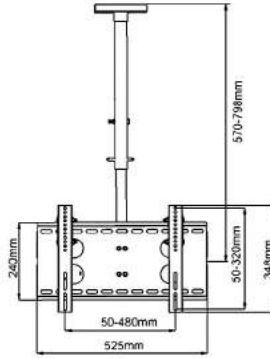
Tilt: N/A
Swivel: N/A





TV Ceiling Mounts

64-2102S



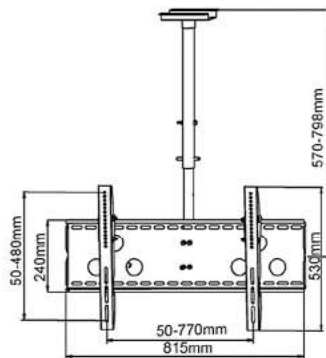
TV Ceiling Mount

- Durable powder-coated finish
- Solid heavy-gauge cold steel construction
- Easy to install, compliant to VESA 400x300
- Distance from ceiling: 570 - 798mm

Tilt: -20°
Swivel: 360°



64-2102B



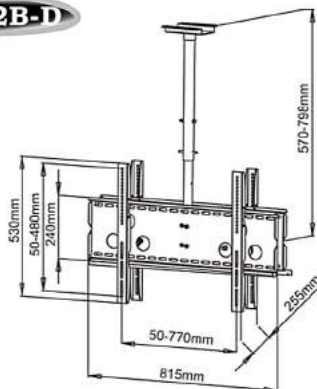
TV Ceiling Mount

- Durable powder-coated finish
- Solid heavy-gauge cold steel construction
- Easy to install, compliant to VESA 700x400
- Distance from ceiling: 570 - 798mm

Tilt: -20°
Swivel: 360°



64-2102B-D



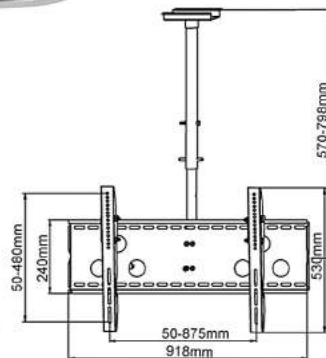
Dual TV Ceiling Mount

- Durable powder-coated finish
- Solid heavy-gauge cold steel construction
- Easy to install, compliant to VESA 700x400
- Distance from ceiling: 570 - 798mm

Tilt: -15°
Swivel: 360°



64-2102L



TV Ceiling Mount

- Durable powder-coated finish
- Solid heavy-gauge cold steel construction
- Easy to install, compliant to VESA 800x400
- Distance from ceiling: 570 - 798mm

Tilt: -20°
Swivel: 360°

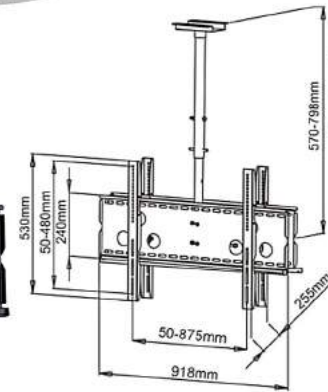




TV - Projector Ceiling Mounts



64-2102L-D



Dual TV Ceiling Mount

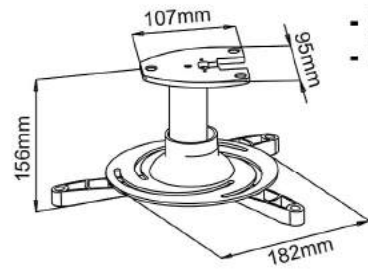
- Durable powder-coated finish
- Solid heavy-gauge cold steel construction
- Easy to install, compliant to VESA 800x300
- Distance from ceiling: 570 - 798mm

Tilt: -15°
Swivel: 360°



X 2

64-2201



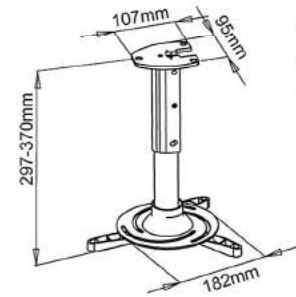
Projector Ceiling Mount

- Durable powder-coated finish
- Solid heavy-gauge cold steel construction
- Easy to install, come with extra fittings
- Distance from ceiling: 156mm

Tilt: 30°
Swivel: 360°



64-2202



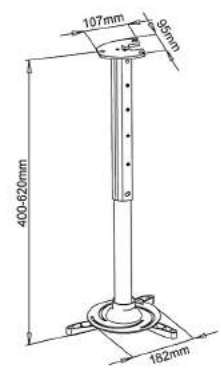
Projector Ceiling Mount

- Durable powder-coated finish
- Solid heavy-gauge cold steel construction
- Easy to install, come with extra fittings
- Distance from ceiling: 297 - 370mm

Tilt: 30°
Swivel: 360°



64-2202L



Projector Ceiling Mount

- Durable powder-coated finish
- Solid heavy-gauge cold steel construction
- Easy to install, come with extra fittings
- Distance from ceiling: 400 - 620mm

Tilt: 30°
Swivel: 360°

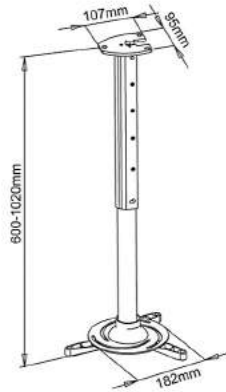




Projector Mounts - DVD Shelves



64-2202X



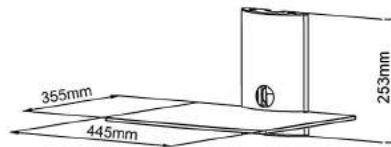
Projector Ceiling Mount

- Durable powder-coated finish
- Solid heavy-gauge cold steel construction
- Easy to install, come with extra fittings
- Distance from ceiling: 600 - 1020mm

Tilt: 30°
Swivel: 360°



64-4051



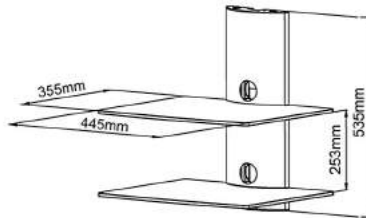
DVD Wall Mount Glass Shelf

- Durable powder-coated finish
- Solid heavy-gauge aluminum
- Easy to install, 9mm thick tempered glass
- Distance from wall: 360mm

Tilt: N/A
Swivel: N/A



64-4052



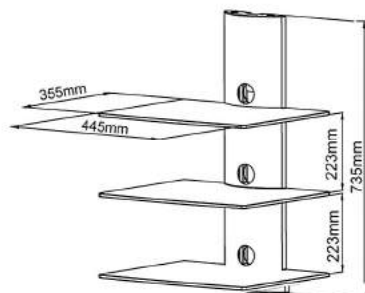
Dual DVD Wall Mount Glass Shelf

- Durable powder-coated finish
- Solid heavy-gauge aluminum
- Easy to install, 9mm thick tempered glass
- Distance from wall: 360mm

Tilt: N/A
Swivel: N/A



64-4053



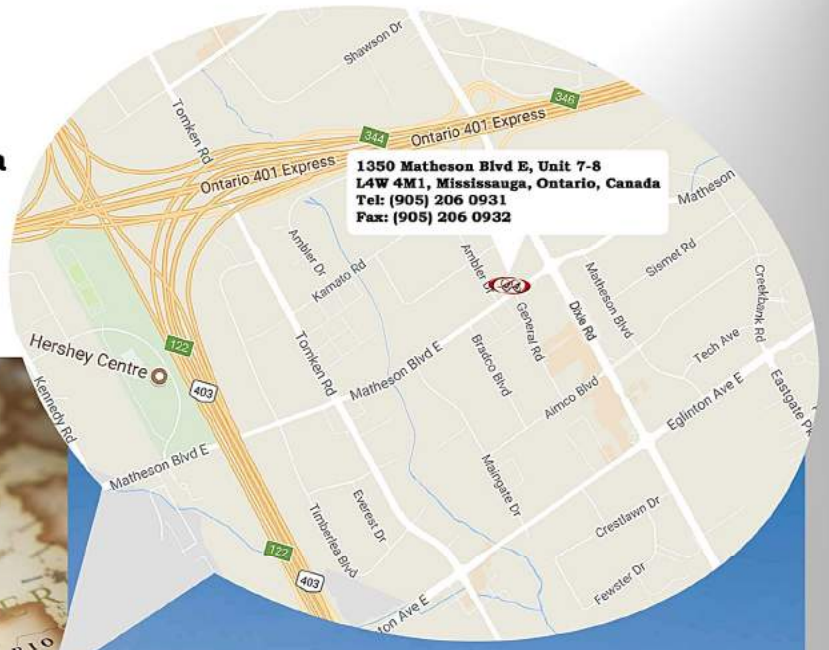
Trio DVD Wall Mount Glass Shelf

- Durable powder-coated finish
- Solid heavy-gauge aluminum
- Easy to install, 9mm thick tempered glass
- Distance from wall: 360mm

Tilt: N/A
Swivel: N/A



We are located here at Ontario, Canada





AA Electronics

Canada Sales Office:

1350 Matheson Blvd E. Unit 7, 8
Mississauga, Ontario
L4W 4M1 Canada

Tel: (905) 206-0931
Fax: (905) 206-0932
E-mail: info@aa-e.com

China Sales Office:

No.212 Xin Sheng Yuan
Shaping Heshan GuangDong
China 529700

Tel: (0750)8963312/8963310
Fax: (0750)8963309
E-mail: info@aa-e.com

WWW.AA-E.COM