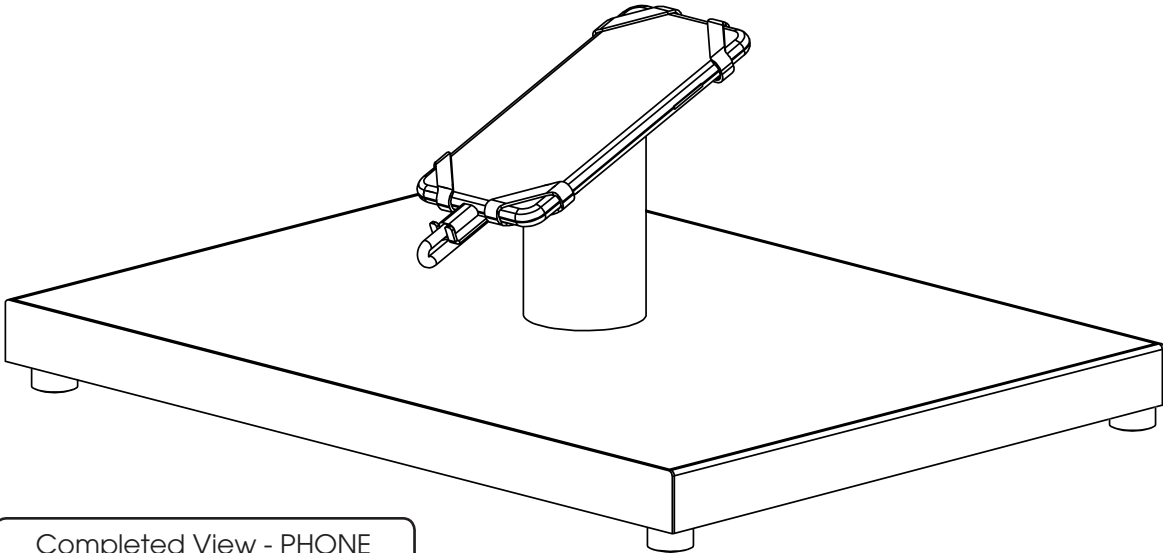
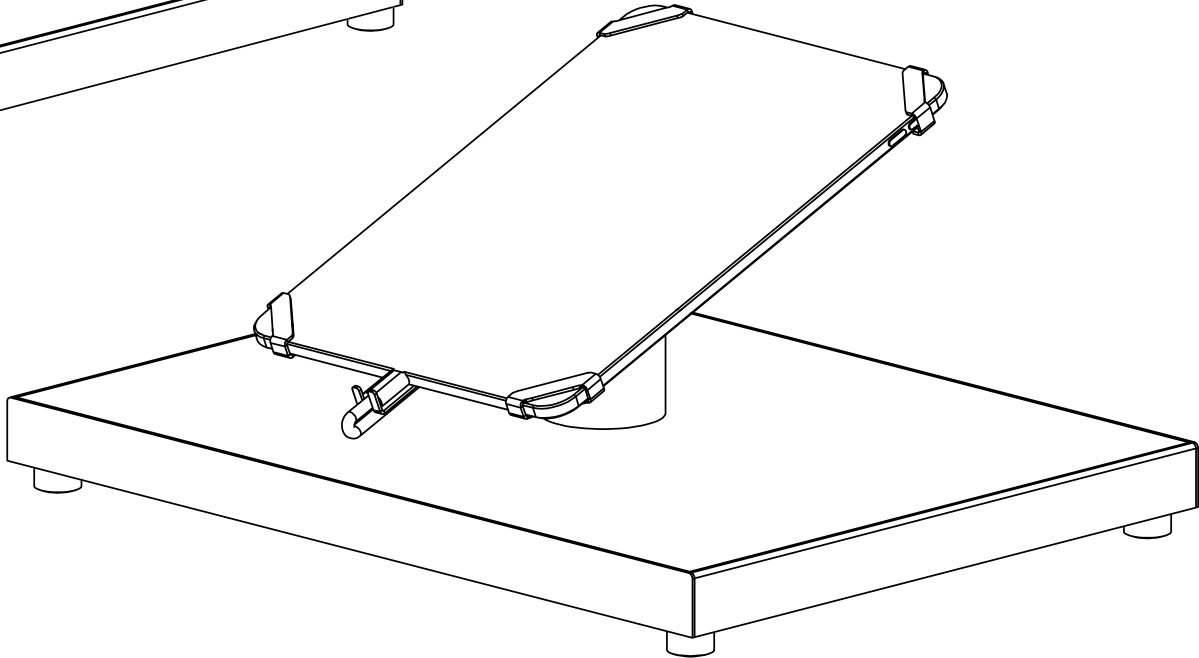


Dfi Bracket Assembly - Phone & Tablet

NOTE: THIS INSTRUCTION DECK CAN BE USED TO SET UP A PHONE BRACKET OR TABLET BRACKET. THERE ARE SPECIAL NOTES INCLUDED THROUGHOUT ON HOW TO SET UP THE BRACKET SET AROUND A TOPPER WITH A HOLE, A TOPPER WITH A SLOT, OR A TOPPER WITH A PERFORATED PATTERN.



Completed View - PHONE



Completed View - TABLET

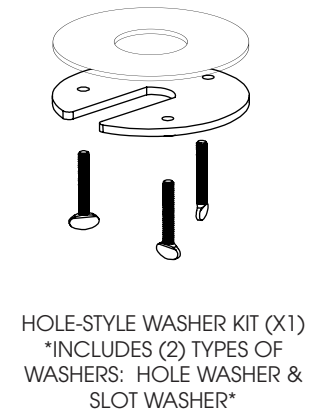
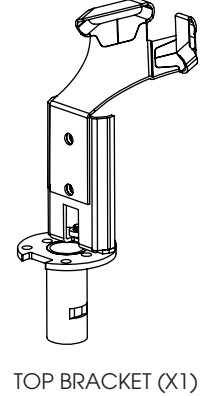
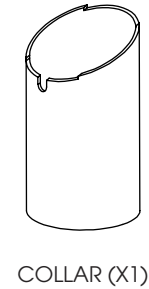
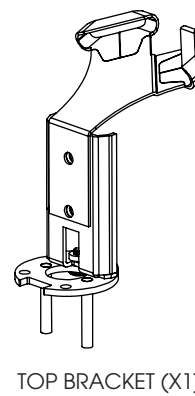
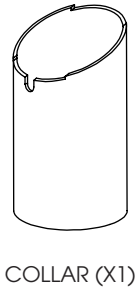
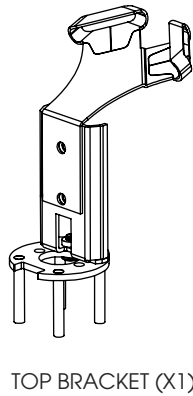
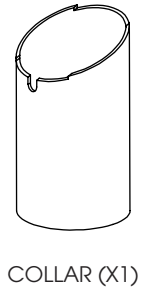
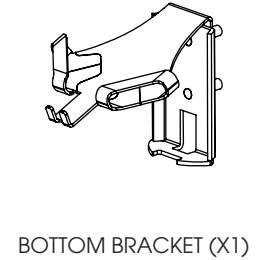
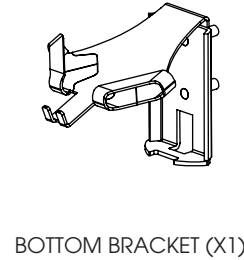
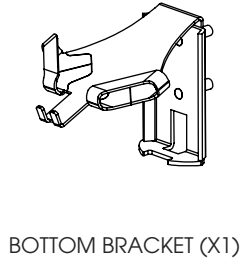


Dfi Bracket Assembly - Phone & Tablet - KIT OF PARTS

Kit of Parts - WHEN ATTACHING TO AN ONQ-
STYLE PERFERATED PATTERN

Kit of Parts - WHEN ATTACHING TO A STANDARD
SLOT PATTERN

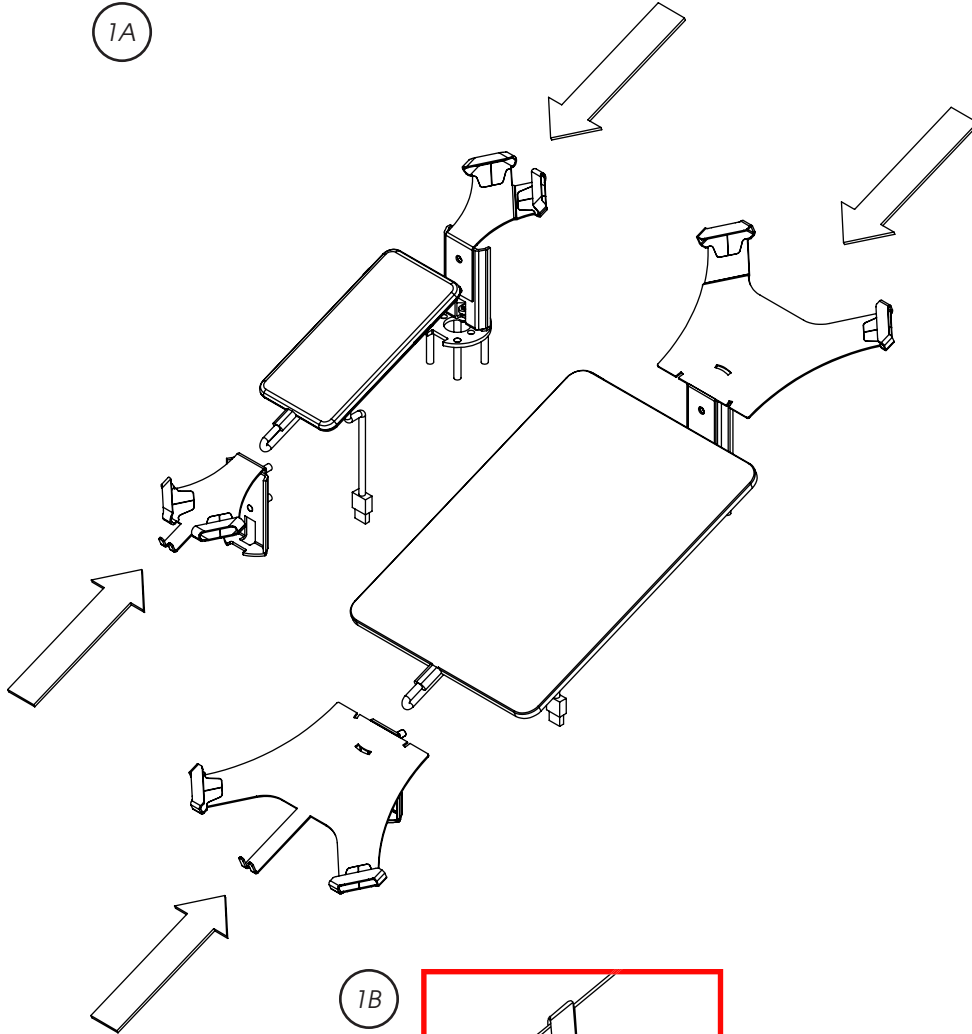
Kit of Parts - WHEN ATTACHING TO A STANDARD
HOLE PATTERN



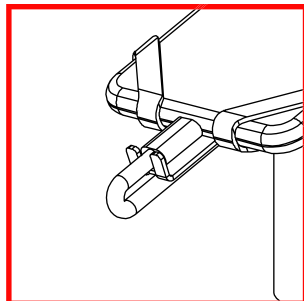
Dfi Bracket Assembly - Phone & Tablet - SECURING TOP & BOTTOM BRACKETS AROUND THE DEVICE

- 1** Begin by plugging the device power cable into the device. Fit the top bracket and bottom bracket around the top and bottom of the device. Make sure the teeth of the bottom bracket hook around the bezel of the device power cable.

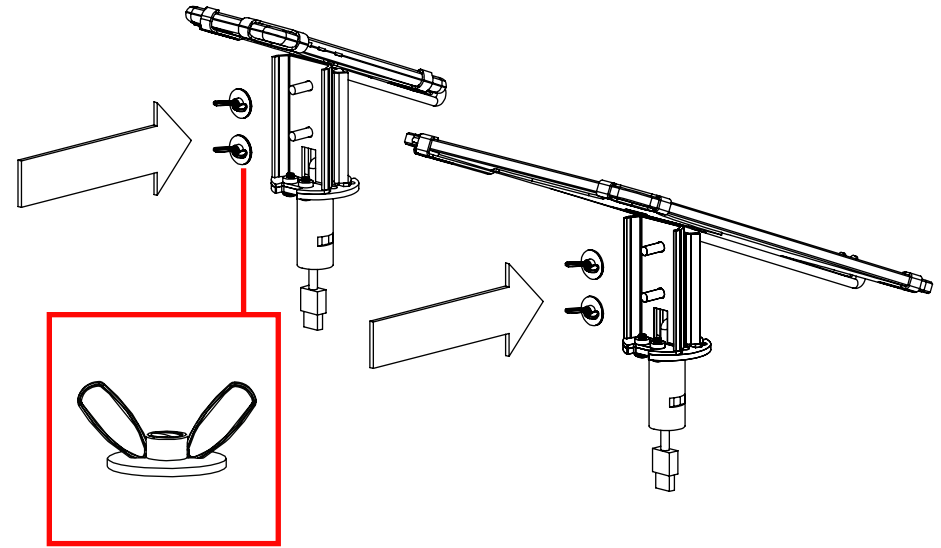
1A



1B



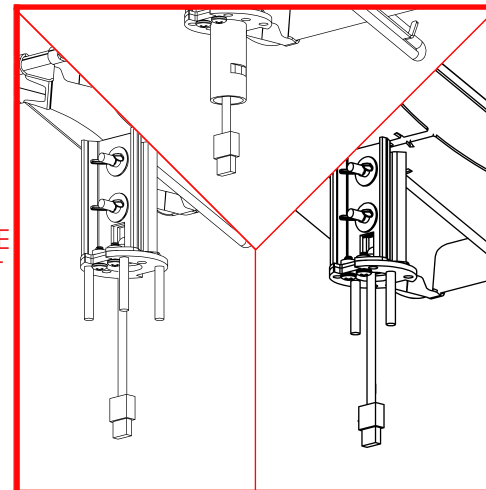
- 2** Next, use (2) flange wing nuts to fasten the top bracket to the bottom bracket. Weave the USB end of the power cable through the center hole at the bottom of the bracket set. If this bracket is going to be fastened to a hole in the display table (as opposed to a large slot or perforated pattern), make sure the USB end of the cable makes it through the entire bottom tube of the bracket assembly.



VIEW OF HOLE TABLE ATTACHMENT FEATURE

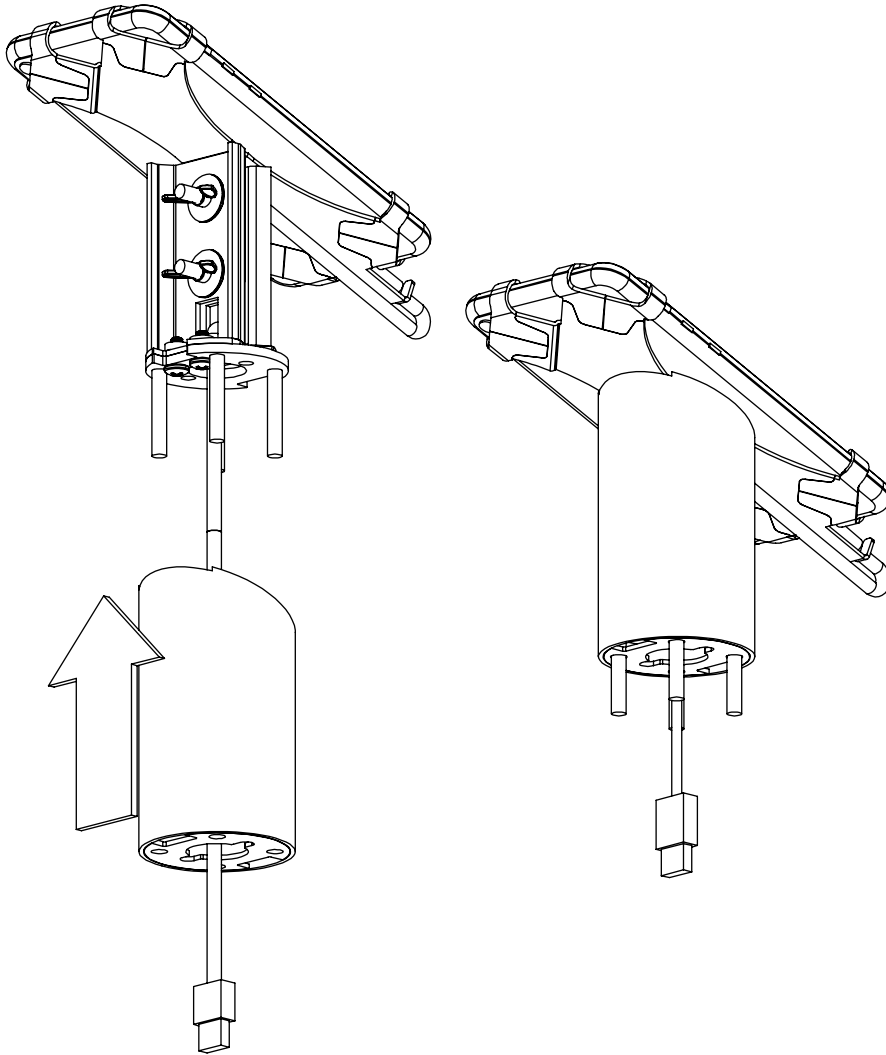
VIEW OF PERFORATED PATTERN TABLE ATTACHMENT FEATURE

VIEW OF SLOT-TABLE ATTACHMENT FEATURE

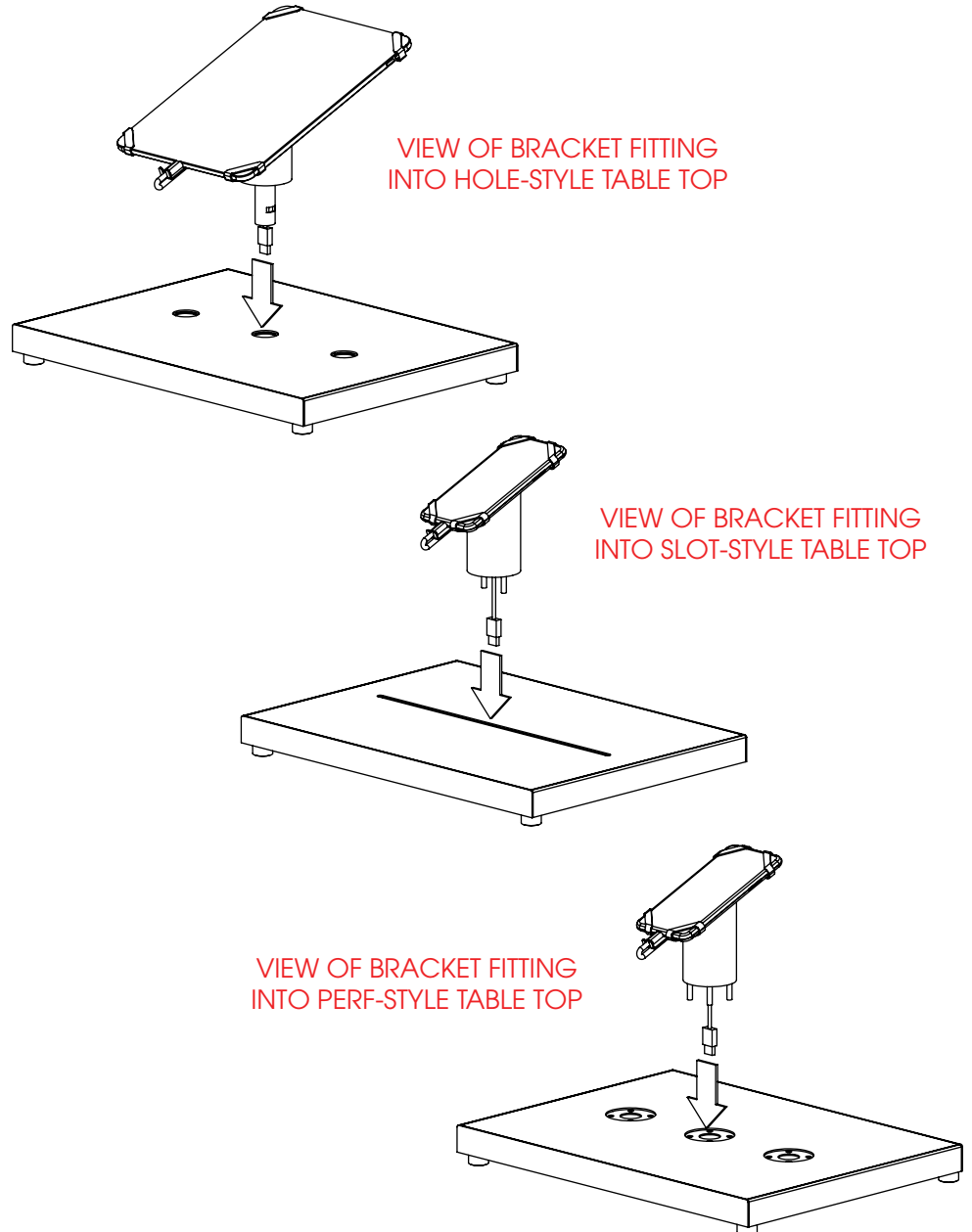


Dfi Bracket Assembly - Phone & Tablet - *PROTECTING THE BRACKET ASSEMBLY WITH THE COLLAR*

- 3** Obtain collar. Slide collar up the stems of the bracket assembly so that the angled top of the collar fits flush against the back of the device. Make sure the studs of the top bracket weave through their respective holes at the bottom of the collar. Weave the power cable completely through the bottom of the collar.



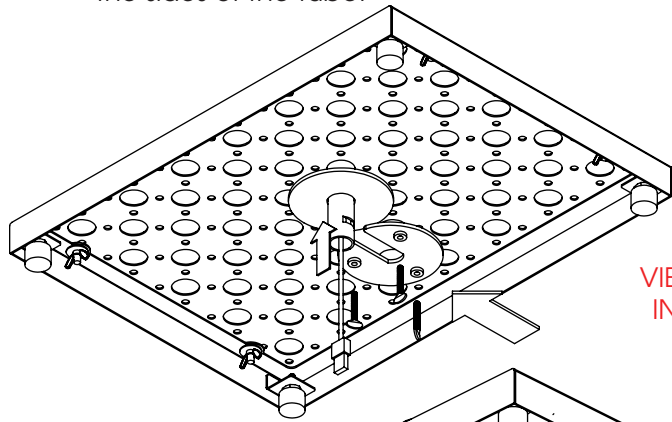
- 4** Place the current complete assembly into the hole(s) or slot that the bracket set is intended to be fastened against. Make sure to weave the USB end of the power cable completely through the opening in the table top.



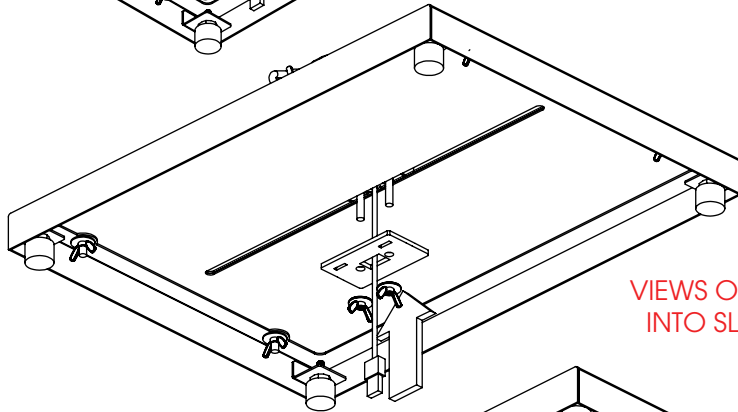
Dfi Bracket Assembly - Phone & Tablet - *SECURING THE COMPLETED ASSEMBLY TO EACH TABLE TYPE*

5

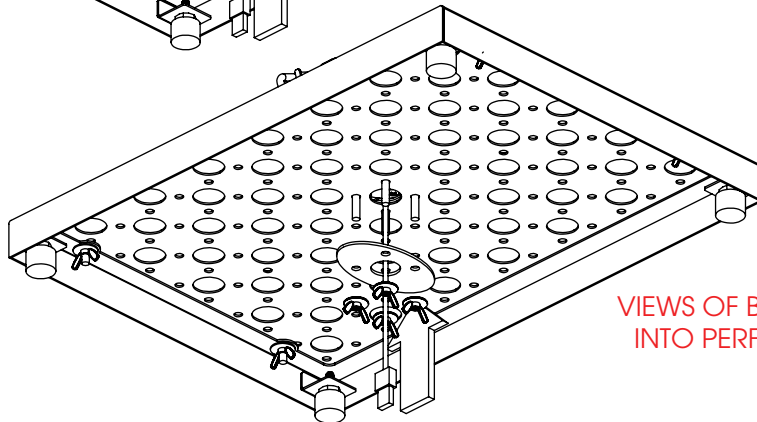
Obtain the washer kit. In the case of a slotted topper or a perforated topper, weave the USB end of the power cable through the middle of the washer. Bring the washer up around the studs of the bracket assembly. In the case of fastening to a hole in the table top, slide the hole washer up around the bottom tube of the bottom bracket. Slide the slot washer around the back of the bottom tube of the bracket set. The slot washer will slide into the grooves cut into the sides of the tube.



VIEWS OF BRACKET LOCKING INTO HOLE-STYLE TABLE TOP



VIEWS OF BRACKET LOCKING INTO SLOT-STYLE TABLE TOP



VIEWS OF BRACKET LOCKING INTO PERF-STYLE TABLE TOP

6

In the washer kit, you will find a collection of hardware specific to that kit. For slot-style and perf-style kits, thread the flange wing nuts tightly around the studs. For the hole-style kit, thread the thumb screws tightly into the nuts on the slot washer until they pin themselves against hole washer. Plug the USB end of the power cable into the closest power source. Power on the device. Close and lock the table.

