

KAKA[®] Industrial

SPECIFICATIONS

Model.....HP-25S
 Stock No. 182122
 Capacity..... 25 Ton
 Stroke travel..... 9.5”(240mm)
 Ram diameter.....1.5” or 2.25”
 Table Size..... 12x10.5”(304x266mm)
 Max distance ram to table..... 27”(686mm)
 Head movement.....No
 Operating temperature....50-122°F (10-50°C)
 Dimension..... 35x14x62”
 Weight..... 441 lbs(200kg)



GETTING STARTED

Save this manual

You will need this manual for the safety warnings and precautions, assembly instructions, operating and maintenance procedures, parts lists and diagrams. Keep your invoice with this manual. Write the invoice number on the inside of the front cover. Keep this manual and invoice in a safe and dry place for future reference.

Structural requirements

Make sure all supporting structures and load attaching devices are strong enough to hold your intended loads. If in doubt, consult a qualified structural engineer.

Electrical requirements

Not applicable for manual presses.

Tools needed

Standard professional mechanic’s hand tool set (i.e. hammer, screwdrivers, wrenches, socket wrenches, pliers, etc.).

UNPACKING

When unpacking, check to make sure all parts listed below are included. If any parts are missing or broken, please contact your

Model HP-25S

local retailer.

IMPORTANT: Many unpainted steel surfaces have been coated with a protectant. To ensure proper fit and operation, remove the coating. Coating can be easily removed with mild solvents, such as mineral spirits, and a soft cloth. Avoid getting solution on paint or any of the rubber/plastic parts. Solvents may deteriorate these finishes. Use soap and water on paint, plastic or rubber components. After cleaning, cover all exposed surfaces with a light coating of oil.

CAUTION

Never use highly volatile solvents. Avoid getting cleaning solution on paint as it may tend to deteriorate these finishes. Use soap and water on painted components.

Unpack

Remove all the over packing materials, but leave unit attached to its pallet. Do not discard packing materials until after the machine has been inspected for damage and completeness. Locate loose parts and set aside.

Inspect

After unpacking the unit, carefully inspect for any damage that may have occurred during transit. Check for loose, missing or damaged parts. Shipping damage claims must be filed with the carrier.

All tools should be visually inspected before use, in addition to regular periodic maintenance inspections.

Package Contents:

Pipe holder	2
Hydraulic pump assembly	1
Frame with cylinder	1
Bag of replaement rubber o-rings and hardware	1
Manual	1

KAKA[®] Industrial

SAFETY RULES

WARNING

Completely read and understand this owner's manual before assembly or tool operation. Read and understand the warnings shown on the machine and in this manual. Failure to comply with all of these warnings may cause serious injury or death.

PROPOSITION 65 WARNING: Some dust created by using power tools contain chemicals known to the state of California to cause cancer, birth defects or other reproductive harm.

Some Examples of these chemicals are:

- Lead from lead-based paints
- Crystalline silica from bricks and cement and other masonry products.
- Arsenic and chromium from chemically-treated lumber.

Your risk from these exposures varies, depending on how often you do this type of work. To reduce your exposure to these chemicals: work in a well ventilated area and work with approved safety equipment.

Always wear an **OSHA/NIOSH** approved, properly fitting face mask or respirator when using such tools.

WARNING

Always follow proper operating procedures as defined in this manual even if you are familiar with the use of this or similar tools. Remember that being careless for even a fraction of a second can result in severe personal injury.

PREPARING FOR YOUR JOB

- Wear proper apparel. Do not wear loose clothing, neckties, rings, bracelets or other jewelry which may get caught up in moving parts of machine. Do NOT wear gloves.
- Wear protective hair covering to contain long hair.
- Wear safety shoes with non-slip soles.
- Wear safety glasses complying with United States ANSI Z87.1. Everyday glasses have only impact resistant lenses. They are not safety glasses. Use guards and eye shields.
- Wear face mask or dust mask if operation is dusty.

Model HP-25S

- Wear ANSI approved ear protection for extended operation.
- Be alert and think clearly. Never operate power tools when tired, intoxicated or when taking medications that cause drowsiness.
- Focus your attention completely on your work. Looking around, careless actions and other distractions can result in serious injury.
- Make certain the hydraulic press is securely anchored before use.

Maintaining your tool

- Failure to follow the guidelines in this manual can result in serious injury.
 - Disconnect the tool completely from its power supply before performing any service, maintenance, repair or adjustments.
 - Follow OSHA lock-out, tag-out procedures to prevent accidental machine starts.
 - Consult this manual for for the proper use, specific maintenance, and adjustment procedures.
 - Keep tool lubricated and clean for safest operation.
 - Read and understand warnings posted on the machine and in this manual. Replace the warning labels if they become obscured or removed. Failure to comply with all of these warnings can result in serious injury.
 - Before using the machine, check for damaged parts. Check for alignment of moving parts, binding, breakage, mounting issues and any other conditions that may affect operation. Replace any
- ## Preparing the work area for your job
- Do not use this machine in dangerous environments. Do not use it in damp or wet locations. Do not expose it to rain.
 - Keep the work area clean. Cluttered work areas and work benches invite accidents. Keep the area around the machine clean of scrap metal, oil and grease.
 - Keep visitors at a safe distance from work area.
 - Keep children out of workplace. Make workshop childproof. Use padlocks, master switches or remove switch keys to prevent any unintentional use of power tools.
 - Provide adequate space around the hydraulic press and light the area properly with non-glare, overhead lighting.

KAKA[®] Industrial

guard or damaged part that does not function properly before using the tool.

- Use compressed air or a suitable brush to clear chips or debris — do not use your hands.

Know how to use your tool

WARNING

The operation of any tool can result in foreign objects being thrown into the eyes, which can result in severe eye damage. Always wear safety goggles complying with United States ANSI Z87.1. before commencing power tool operation.

Think safety! Safety is a combination of operator common sense and alertness at all times when tool is being used.

- The Hydraulic Press is designed and intended for use by properly trained operators. You must be familiar with the proper and safe operation of a manual hydraulic press. Obtain proper training and knowledge before operating this machine.
- Do not use the Hydraulic Press for any use other than its intended application. Improper use of this tool revokes and

voids any real or implied warranty. The manufacturer is not responsible for any injury that may result from improper use of the machine.

- Do not force an attachment to do a job it was not intended or designed for.
- Never stand on the machine or work in an awkward position. Maintain your balance. Never lean against the machine, over reach or use excessive force when working. You could tip or fall into the machine causing serious injury.
- Know your tool. Learn the tool's operation, application and specific limitations. Never force the machine to do a task it was designed for.
- Use recommended accessories. Understand and obey all safety instructions supplied with accessories. The use of improper accessories may cause risk of injury to persons.
- Always use guards and eyeshields.

Model HP-25S

ASSEMBLY/INSTALLATION

Lifting and setting up your machine

WARNING

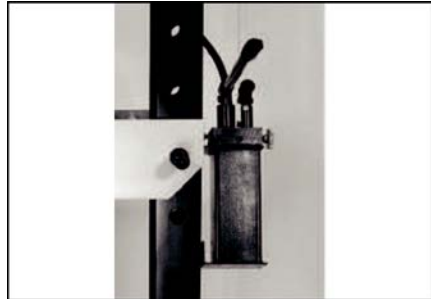
Make certain that slings, cables, chains, forklifts or other load suspending gear or machines used to move this unit are properly rated to handle the weight. The machine is extremely heavy.

CAUTION

The machine must be properly secured and anchored before use. Make sure that it is supported equally on all four corners. Failure to comply may result in the machine twisting and causing binds in the working table.

1. Two pairs of bolts, nuts, and washers are installed on the side of the frame. Remove the washers and nuts leaving the bolts in the frame.
2. Unwrap the hydraulic station from packaging. The hose should already be attached to the hydraulic cylinder. If not, reattach it.
3. Position the hydraulic station as shown in the following figure and match the two holes in the mounting frames of the

hydraulic station with the hanging bolts. One hole should be near the top, and the other near bottom of the station.

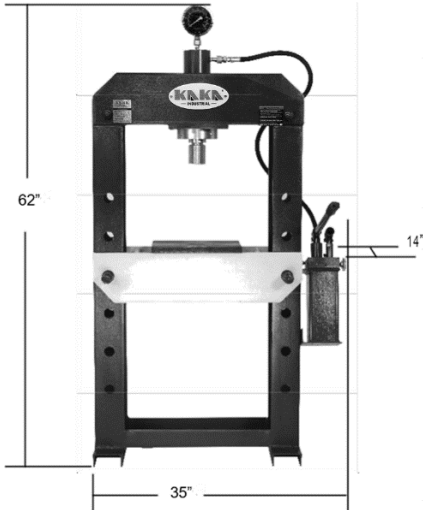


4. Slide the washers back on, and tighten the nuts on the mounting frame of the hydraulic station to secure the station.
5. Insert the handle into either of receivers as shown below. This can be changed at any time, since the bar is not secured.



KAKA[®] Industrial

Machine dimensions



Lubrication

CAUTION

Do not operate this machine before lubrication and ensuring proper oil level. Failure to comply may damage the machine.

Fill the pump with 32# or 46# hydraulic oil as shown by the fill indications.

OPERATION

WARNING

Always wear safety glasses complying with U.S. ANSI Z87.1 before beginning any power tool operation.

CAUTION

Do not operate this machine before properly lubricating the machine. Failure to lubricate the machine before using can cause damage to the machine.

Using the press

WARNING

If the press exceeds the maximum temperature (see "SPECIFICATIONS"), wait to use until cool.

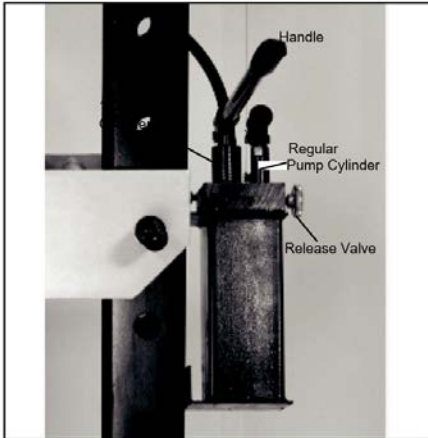
WARNING

Pieces to be pressed must have a compact, solid structure and must not be subject to crumbling or other structural damage potential.

1. When setting up the piece to be pressed, ensure that it is centered with respect to the piston.

Model HP-25S

2. Place the handle in the appropriate pump cylinder as shown in the following figure.



3. Pump the hydraulic station.
 4. Check the pressure using the pressure gauge on top of the unit, shown below.



5. To release pressure, turn release valve counter-clockwise. This also returns the plunger to its initial position.

Table Height Adjustment

1. Unload the table of all extra items.
2. Lift the table support beam on one side. We recommend asking for assistance in holding the beam, although it is possible to do so only by oneself.
3. Extract the support pin as shown in



4. Insert the pin into the next adjacent hole, either above or below the original hole. Make sure to insert the pin all the way through both the front and back of the Hydraulic press frame.
5. Then ease the support beam back onto the pin. When done this way, only one person is required.
6. Repeat all previous steps for the opposite side.
7. Repeat until the desired height is achieved.

Symptom	Possible Cause(s)	Corrective Action
Ram does not move	Low oil condition	Fill oil
Ram does not press	Release valve not closed	Close cylinder valve

KAKA[®] Industrial

MAINTENANCE/REPAIR

WARNING

Before any maintenance is performed, ensure all pressure has been released, using the release valve on the side of the hydraulic station.

Daily:

- General visual inspection-check for any visible damage or missing parts
- Check that all labels are clearly visible and legible
- Check for hydraulic fluid leaks

Weekly:

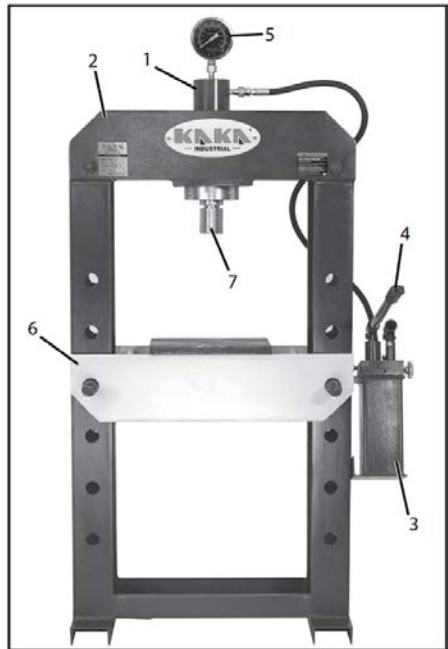
- Check oil level
- General

Cleaning Monthly:

- Check wear on the hydraulic piston and station
- Check tightness of the bolts

Half Year

- Refill with #32 or #46 Hydraulic oil every 6 months. After refilling, have the piston move up and down to remove the air from the inside the cylinder.

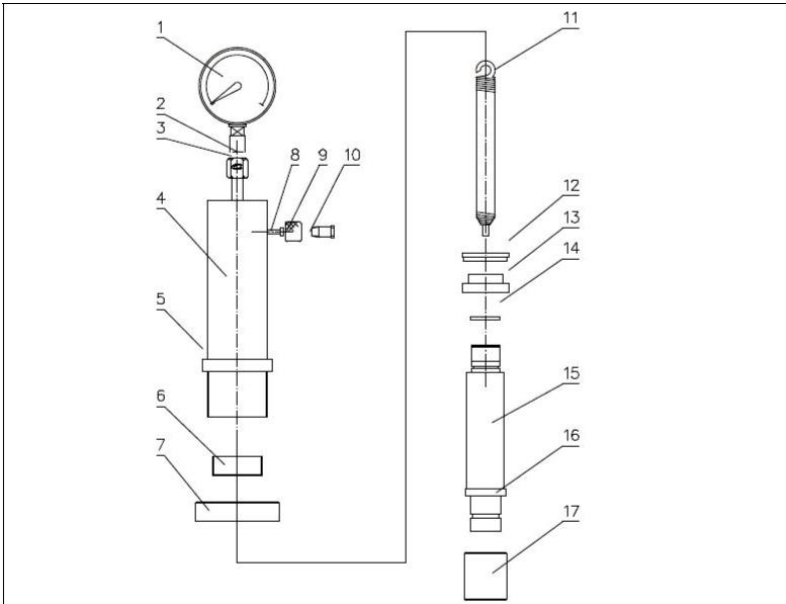


Item No.	Description	Qty
1	Cylinder	1
2	Framework	1
3	Hydraulic Station	1
4	Hydraulic Station Handle	1
5	Hydraulic Gauge	1
6	Table Frame	1
7	Ram	1

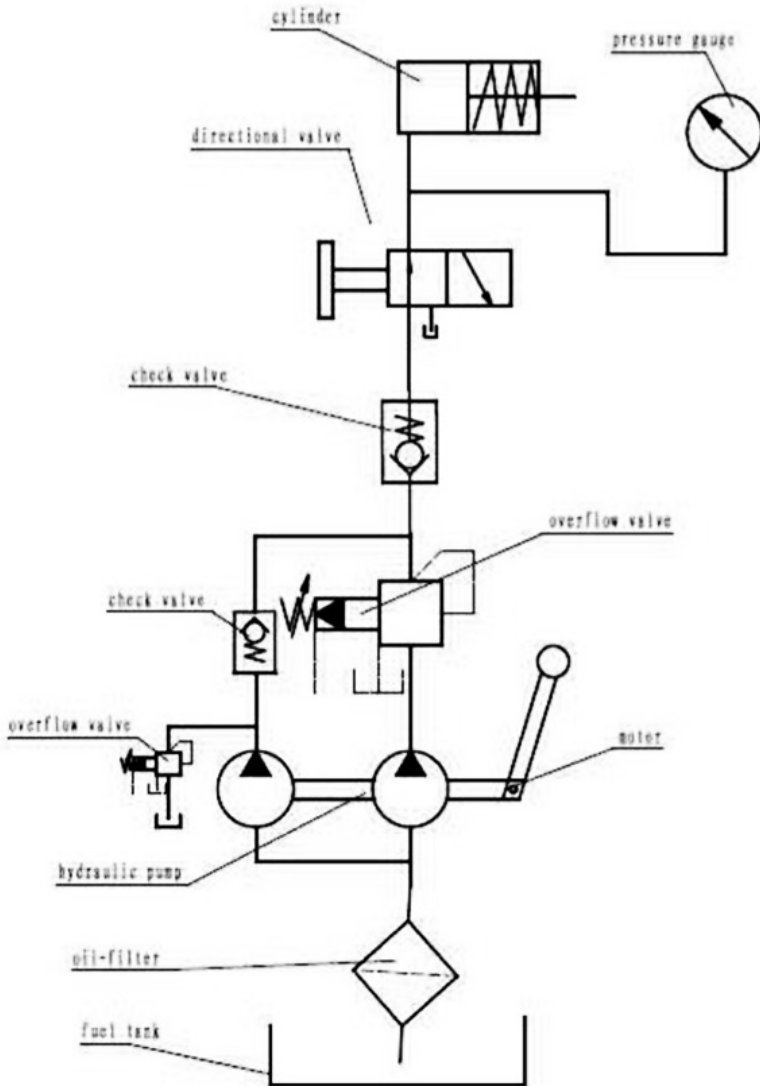
Model HP-25S

MAINTENANCE/REPAIR

Hydraulic Cylinder Parts



No.	Description	Qty	No.	Description	Qty
1	Pressure Gauge	1	10	Coupling	1
2	Nylon Seal	1	11	Spring	1
3	Coupling Bolt	1	12	Y-Ring	1
4	Oil Cylinder	1	13	Piston Head	1
5	Small Screw	1	14	O-Ring	1
6	Retainer	1	15	Piston Rod	1
7	Big Screw	1	16	Protecting Cap	1
8	Hex Nut	1	17	Cap	1
9	Screw	1			



Stock No: 182122
Edition 1 01/2023
Copyright © 2023 KAKA



If you have any questions about the use of this product, please contact
the nearest one to you as below:

KAKA INDUSTRIAL LLC

Mail:
info@kakaindustrial.com
Add: 2880 North Berkeley
Lake Road Northwest, ste 3,
Duluth, GA 30093
United States

KAKA INDUSTRIAL LTD

Mail:
echo@kakaindustrial.com
Add: 3143 Underhill Avenue,
Burnaby, B.C V5A3C8,
Canada

KANG INDUSTRIAL PTY LTD

Mail:
kang@kakaindustrial.com
Add: 3 Wayne Court
Dandenong VIC 3175
Australia