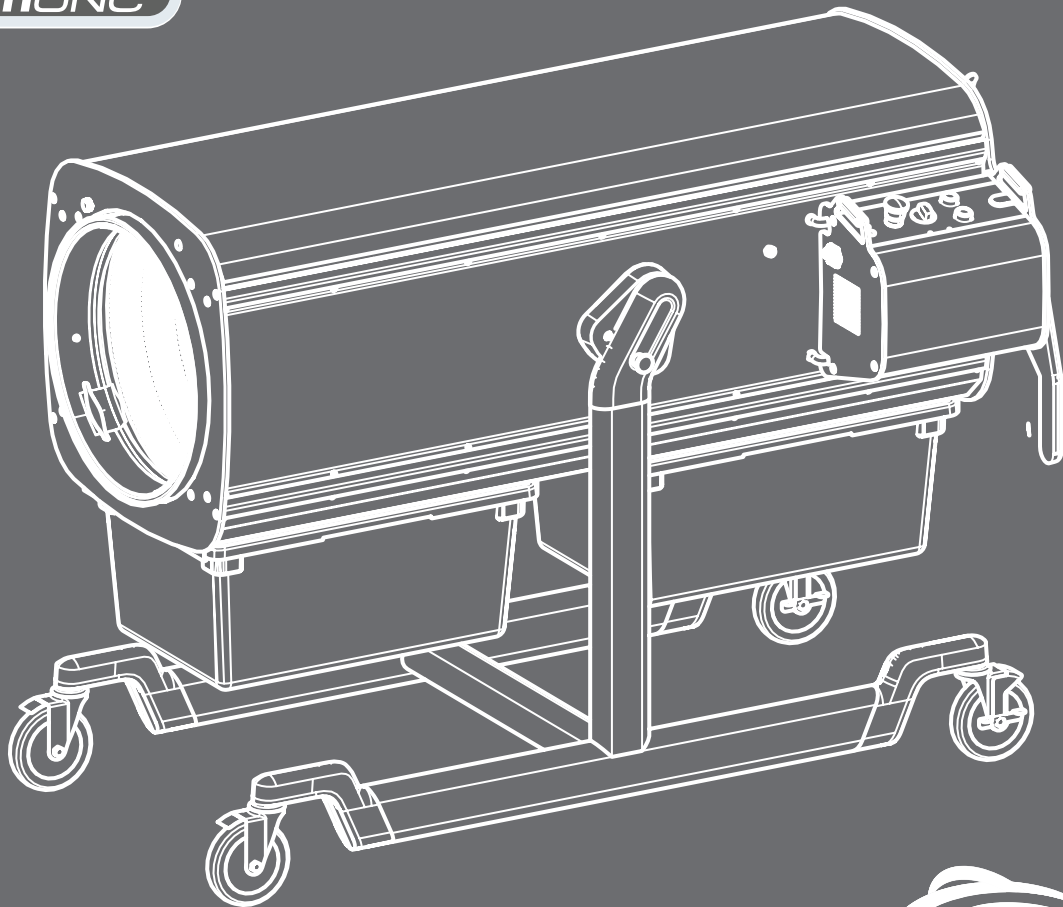


# Twister BatchOne Dry Trimmer

User Manual

*batchONE*



PN: 21-10097A\_REV01

**TWISTER**  
BY KEIRTON

# TABLE OF CONTENTS

Important Safety Information .....	3
General.....	3
Connection .....	4
Operation .....	4
Maintenance .....	5
Machine Overview .....	6
Control Box Overview .....	8
Initial Setup.....	10
Step 1: Open Package.....	10
Step 2: Secure Placement.....	10
Step 3: Connect Control Box .....	11
Step 4: Connect Tumbler Caps and Trim Bins .....	11
Operation .....	12
Step 1: Power On .....	12
Step 2: Load Machine .....	12
Step 3: Set Trimming Adjustments and Start .....	13
Step 4: Unload Machine.....	14
Maintenance .....	16
Inspection .....	16
Flip Up or Remove Brush .....	16
Remove Tumbler .....	17
Clean .....	19
Troubleshooting .....	21
Tumbler is Not Moving Despite Drive Wheel Moving.....	21
Machine Won't Run .....	21

# TABLE OF CONTENTS

Warranty Information.....	22
Replacement Parts .....	24
Specifications.....	25
Contact Us .....	26

# IMPORTANT SAFETY INFORMATION

This manual is for the Twister BatchOne Dry Trimming Machine. In this manual, the BatchOne Dry Trimming Machine will simply be referred to as the BatchOne. It is important to save this manual for future reference.

The BatchOne is a high-power machine requiring special safety precautions to be practiced during operation to reduce the risk of personal injury. Please read this manual including all important safety information, danger, warning, and caution signs before using the BatchOne.

Keirton Inc® is continually improving all of its products. As a result, engineering changes are sometimes made. If operation or appearances differ from this manual, please contact Keirton Technical Support for assistance (for contact details, see page 26).

## General Safety Information

- Do not move, disassemble, clean, or inspect the BatchOne while power is connected to the machine.
- Ensure caster brakes are locked before connecting power to the BatchOne.
- Do not connect the BatchOne to power without all guards attached\* (see Fig. 1 on page 4).
- The BatchOne tumbler is large and heavy. Never lift alone, and always use proper lifting technique.
- Substituting factory parts with third-party parts may result in bodily harm or damage to the BatchOne.
- Do not remove safety labels from the machine. **Replace any safety labels if they become damaged or obscured.**

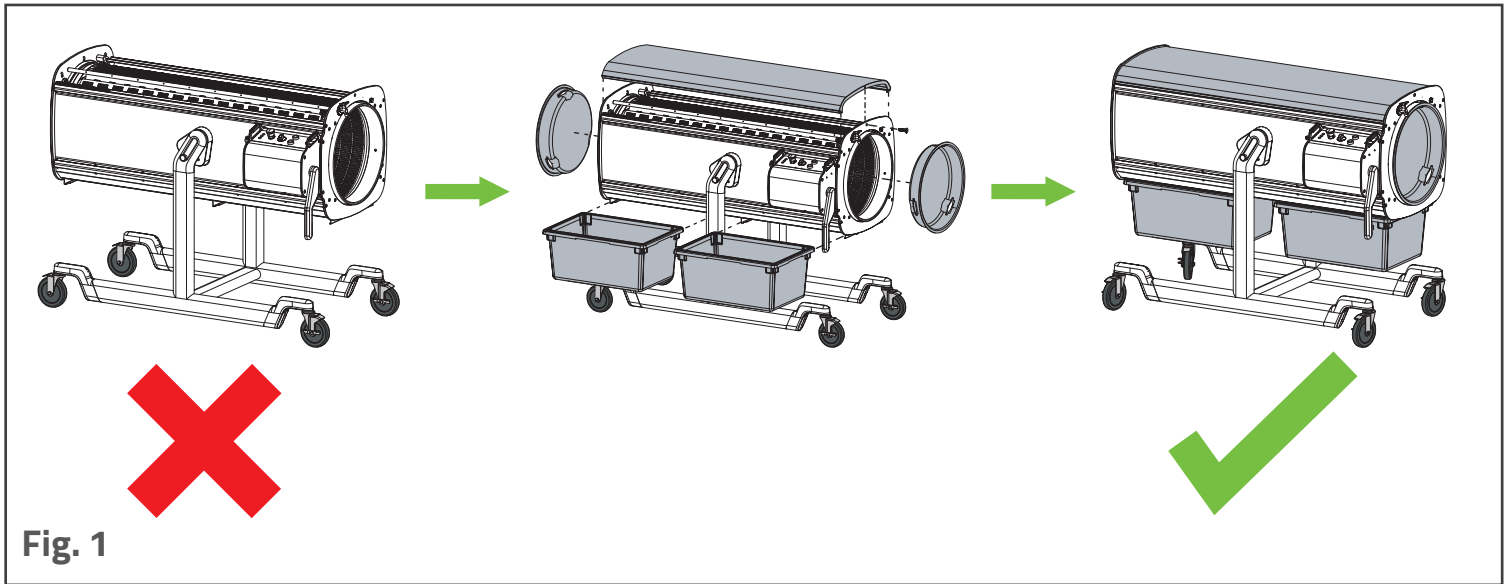
\*The only times it is acceptable to have a guard unattached while the machine is connected to power is during the loading and unloading stages of operation—at which time it is necessary to remove a tumbler cap.



## DANGER

**CARELESS USE OF THE BATCHONE OR OPERATING IT WITHOUT READING THE INSTRUCTIONS AND ACCOMPANYING DANGER, WARNING, AND CAUTION NOTICES MAY RESULT IN SERIOUS OR FATAL INJURY.**

# IMPORTANT SAFETY INFORMATION



## Connection Safety Information

- The BatchOne must be used in connection with a properly grounded receptacle.
- Do not use extension cords lower than 14 gauge to power the BatchOne.
- Do not use extension cords longer than 25ft (7.5m) in length to power the BatchOne.
- To power down the BatchOne, switch off the machine via the control box before switching it off at or unplugging the power supply.

## Operation Safety Information

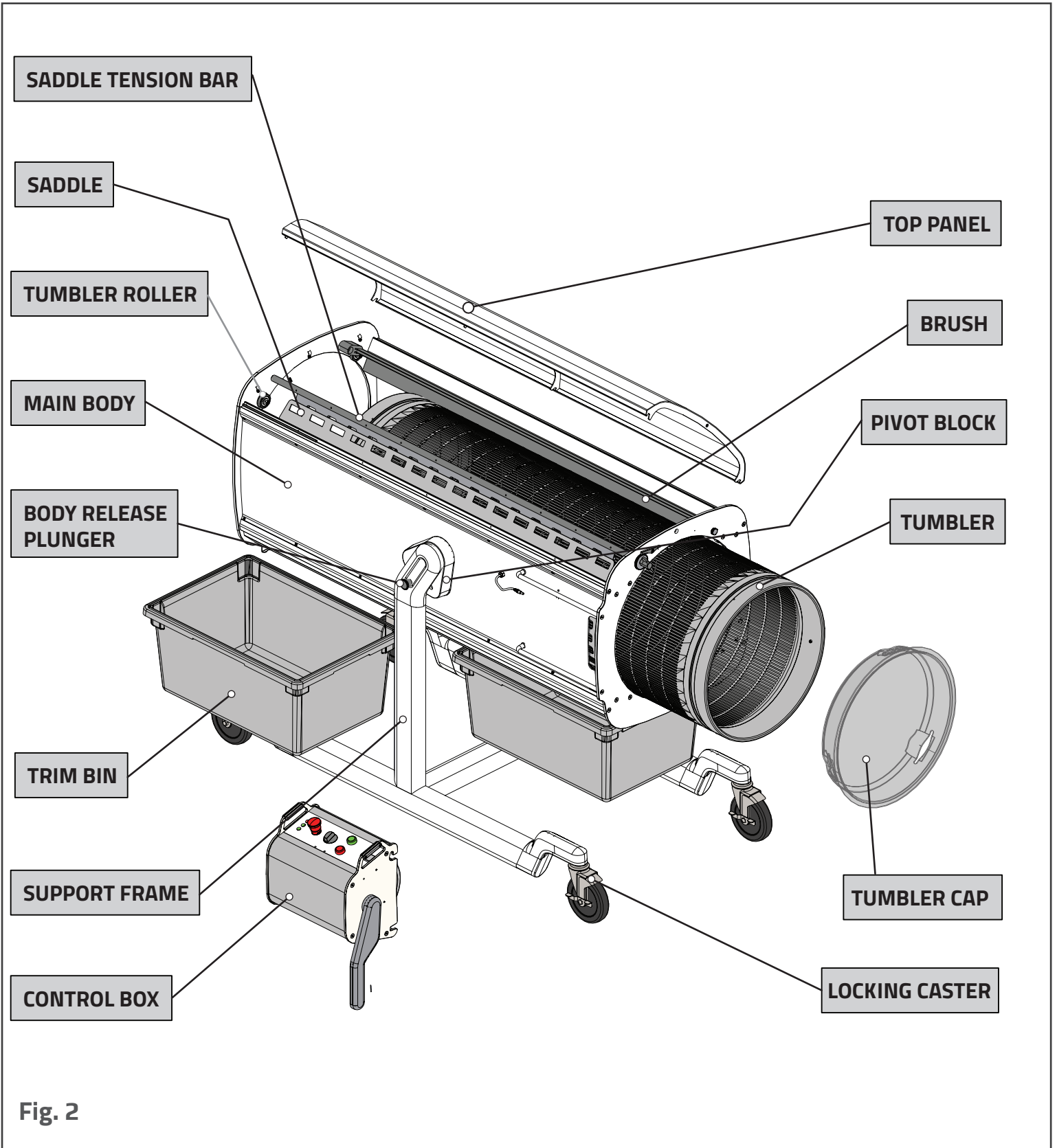
- Do not operate the BatchOne while tired or under the influence of drugs, alcohol, or medications.
- Never operate the BatchOne around children.
- Do not place any body parts in the BatchOne while it is running.
- **Only place plant matter in the BatchOne.** Do not put foreign objects in the BatchOne. Doing so may cause bodily harm or damage to the machine.
- The BatchOne is intended for use on legal aromatic herbs and hops. Please check all municipal, provincial/state, and federal laws and regulations before using the BatchOne. Keirton Inc. does not promote or condone the use of the BatchOne in any way that may be deemed illegal.

# IMPORTANT SAFETY INFORMATION

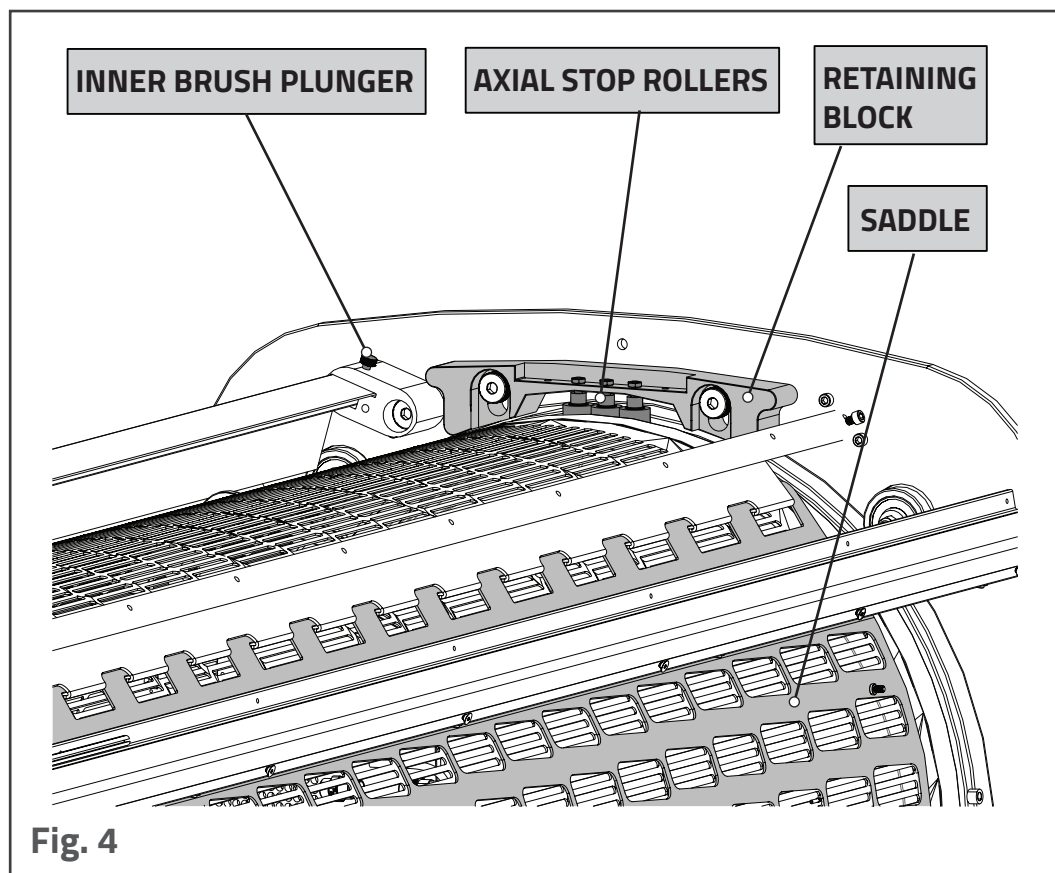
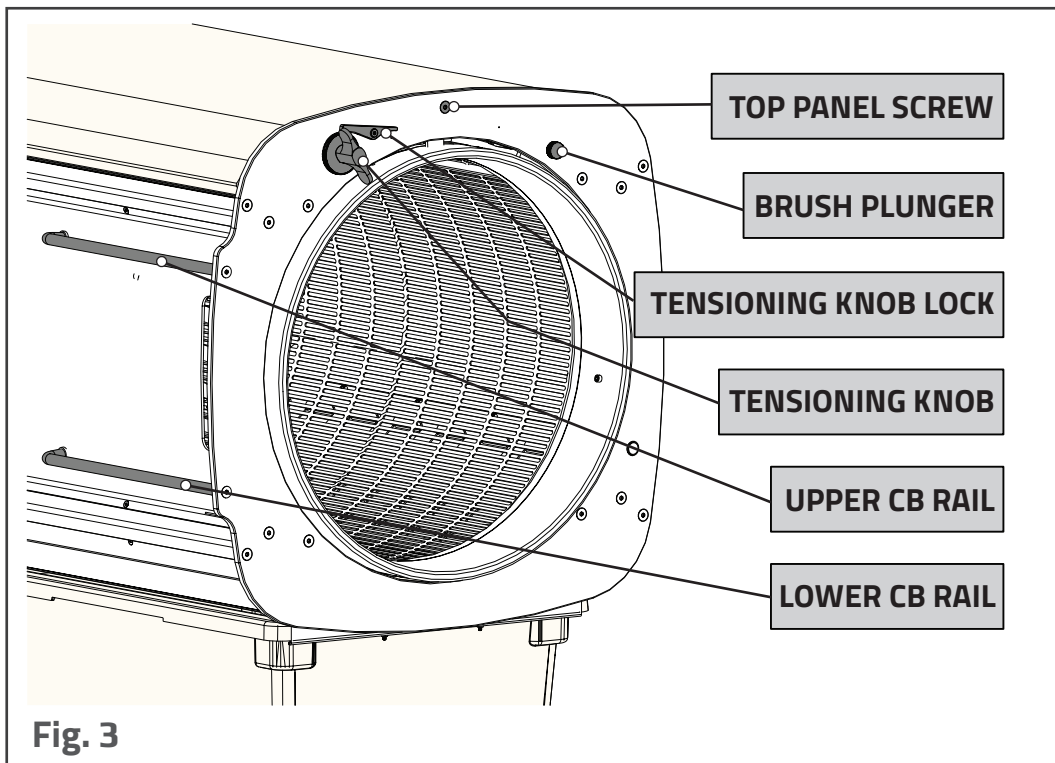
## Maintenance Safety Information

- Conduct regular maintenance of the BatchOne.
- Ensure the BatchOne is powered off and the machine is unplugged before conducting any maintenance, repairs, or cleaning. **Never conduct maintenance, repairs, or cleaning while the BatchOne is plugged in.**
- Wear proper personal protective equipment when cleaning the BatchOne.
- Replacement parts are specific to the BatchOne and must be purchased from an authorized dealer only. Failure to comply may cause bodily harm and/or damage to the machine.
- **Control box is not waterproof!** Always remove control box before cleaning the BatchOne.

# MACHINE OVERVIEW

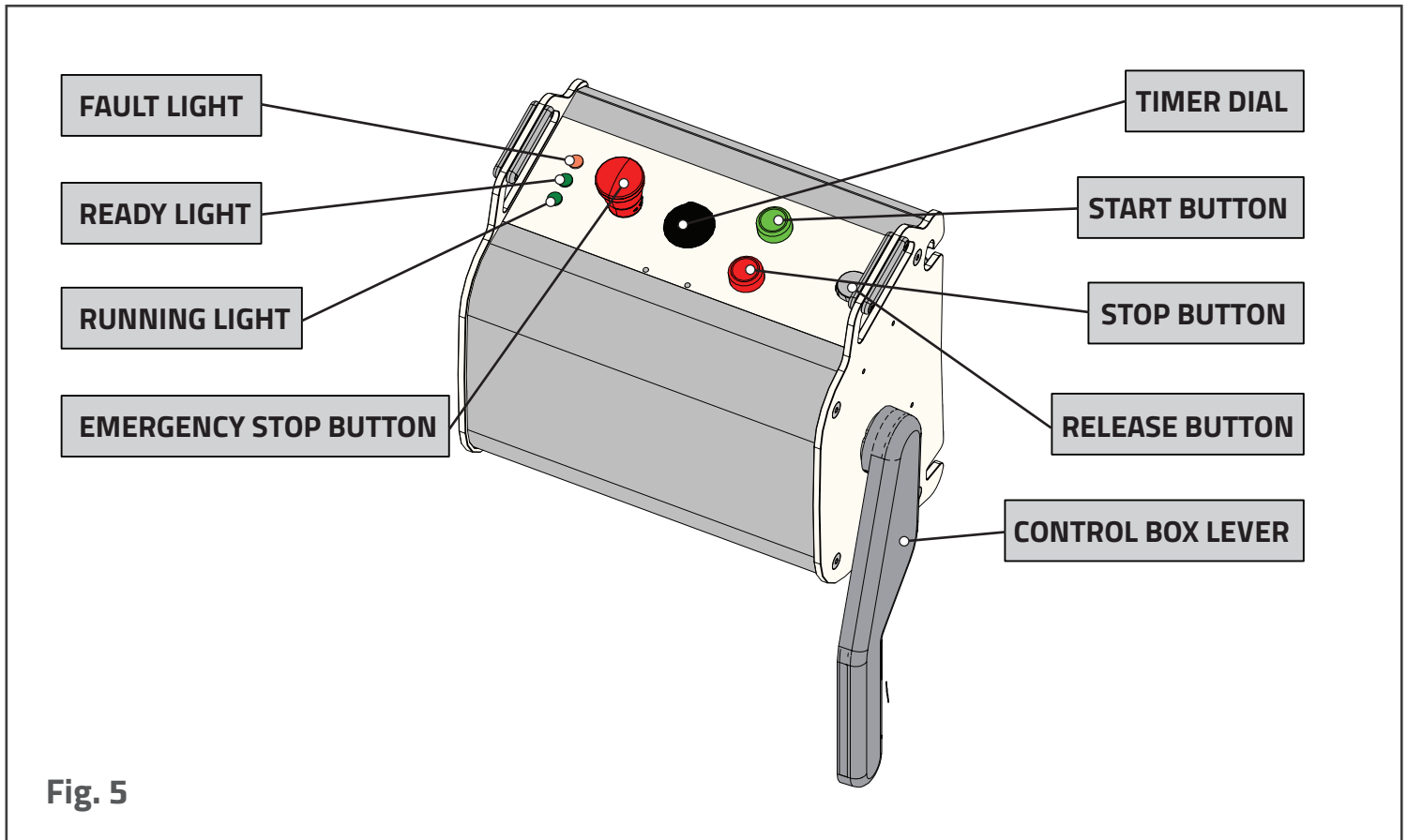


# MACHINE OVERVIEW





# CONTROL BOX OVERVIEW



## Fig 5 Legend

Feature	Function
Control Box Lever	Lock to connect control box to main body.
Emergency Stop Button	Press to stop in an emergency.
Fault Light	Turns on after emergency stop is pressed, if the control box lever is unlocked, or if the motor is too hot.
Ready Light	Turns on when machine is on but not trimming.
Release Button	Unlocks the control box lever.
Running Light	Turns on when machine is on but not trimming.
Start Button	Press to start Trimming.
Stop Button	Press to stop trimming for non-emergency reason.
Timer Dial	Twist to set trimming time.

# CONTROL BOX OVERVIEW

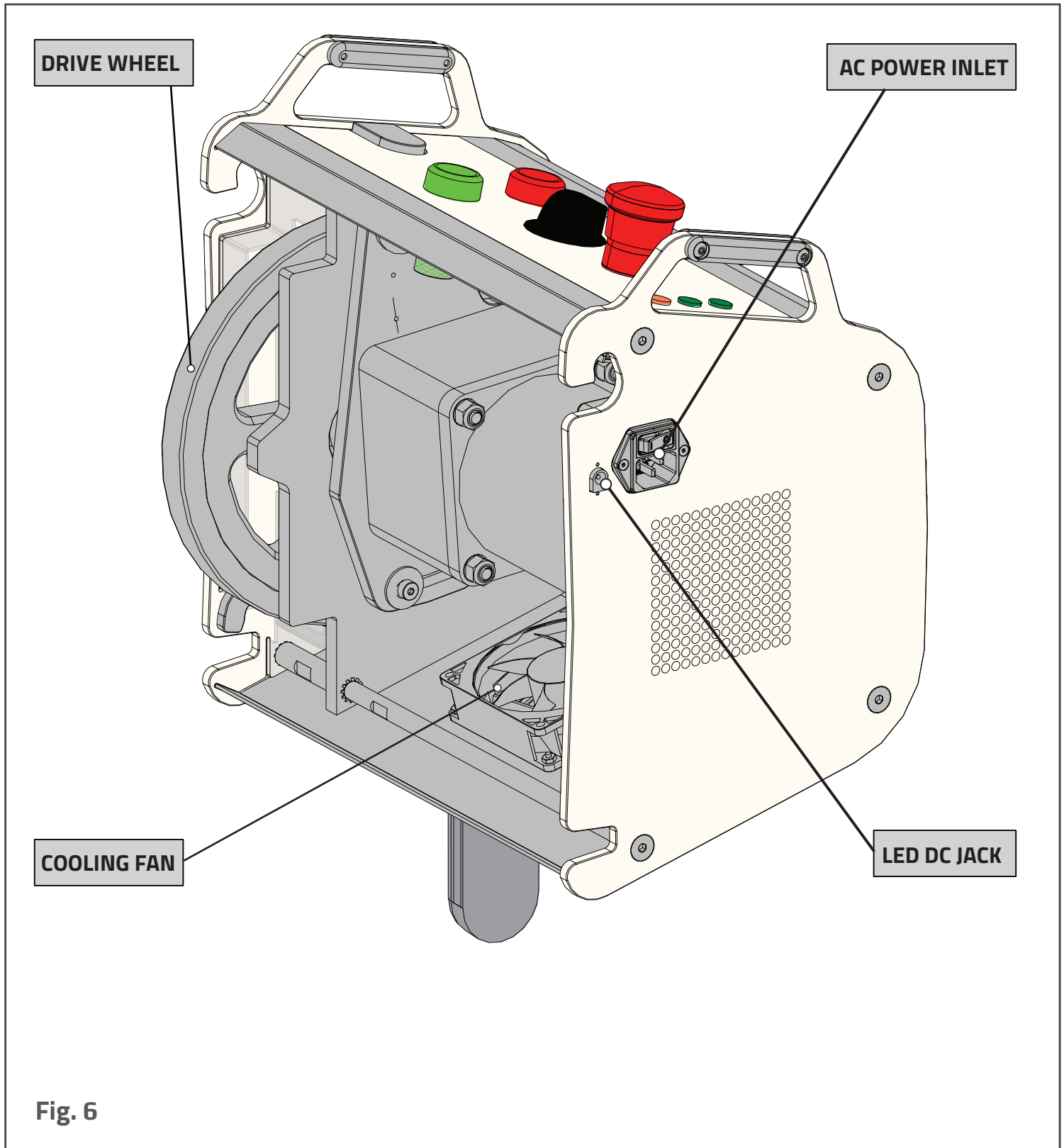


Fig. 6

# INITIAL SETUP

## Step 1: Open Package

1. Place crate containing the BatchOne on level ground.
2. Remove all screws from crate lid.
3. Lift crate lid off.
4. One panel at a time, remove all screws from side panels, and remove side panels.
5. Place all loose items contained in crate aside.
6. Remove strapping supporting the BatchOne.
7. Use a forklift or two people to lift the BatchOne off crate.

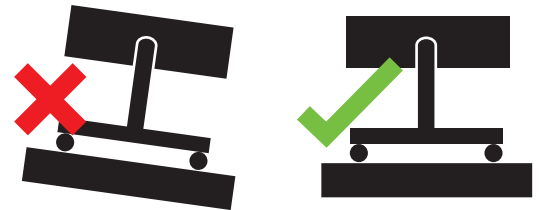
## Step 2: Secure Placement

1. Wheel the BatchOne to where it will operate (for best placement practices, see **Recommended Placement** below).
2. Engage all locking casters.



## WARNING

**THE BATCHONE MUST BE PLACED ON LEVEL GROUND. LOCKING CASTERS ARE NOT DESIGNED TO SUPPORT THE BATCHONE ON ANY KIND OF SLOPE.**



## WARNING

**HEAVY! TWO PERSON LIFT REQUIRED**



## RECOMMENDED PLACEMENT

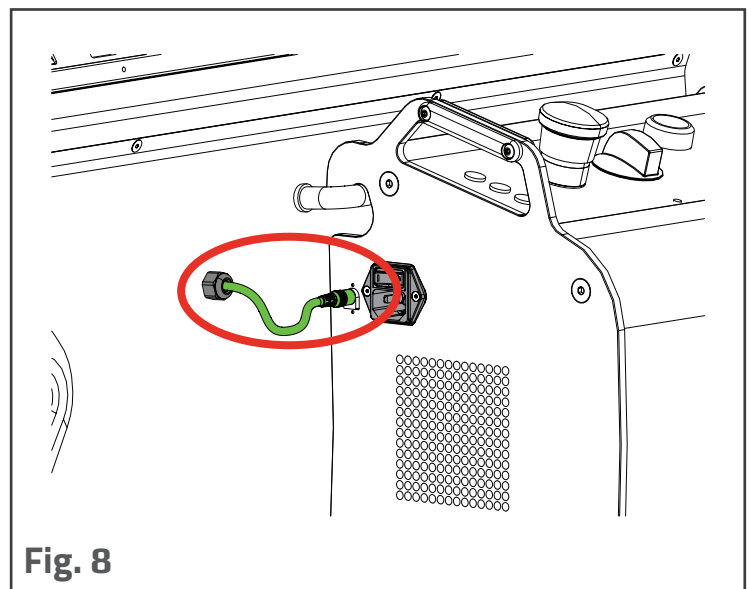
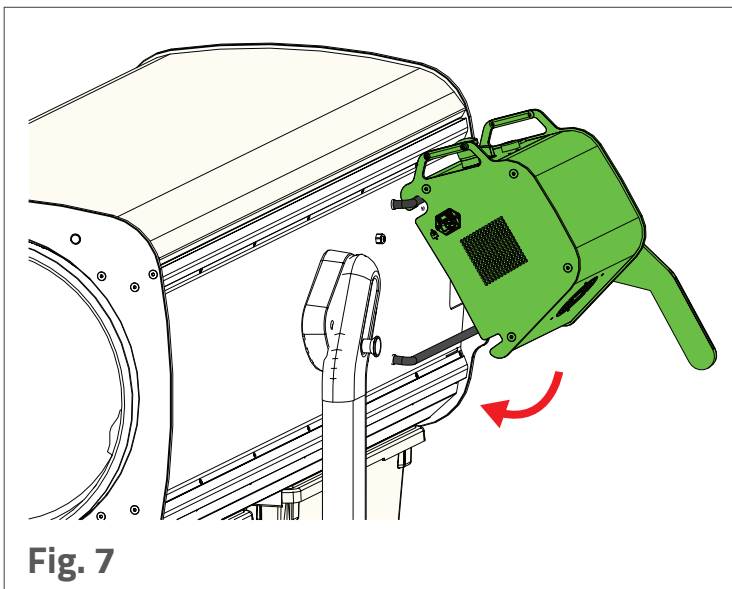
For best and safest operation, place the BatchOne:

- On level ground
- Near an outlet
- Indoors in a dry place
- With enough space to:
  - easily access control panel
  - easily access both ends of the tumbler
  - pivot the main body
  - attach and remove trim bins

# INITIAL SETUP

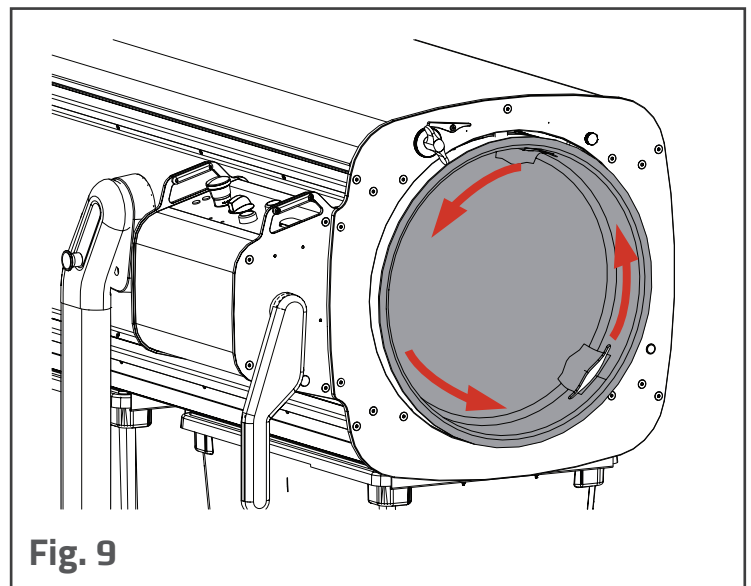
## Step 3: Connect Control Box

1. If control box lever is in locked position, press RELEASE button, and rotate lever upwards.
2. Secure control box hooks on upper control box rail (see Fig. 7 below).
3. Ensure control box slots are flush against lower control box rail (see Fig. 7 below).
4. Press RELEASE button and rotate lever downwards into locked position.
5. Connect LED power plug to LED DC Jack (see Fig. 8 below).



## Step 4: Connect Tumbler Caps and Trim Bins

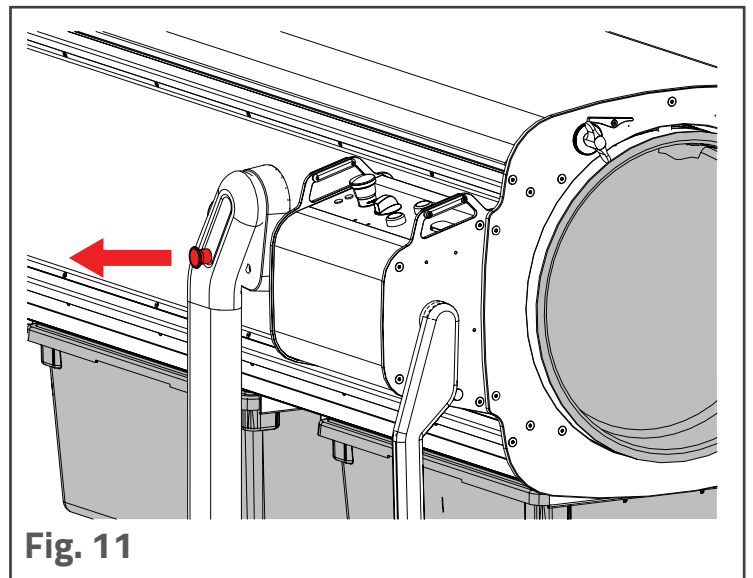
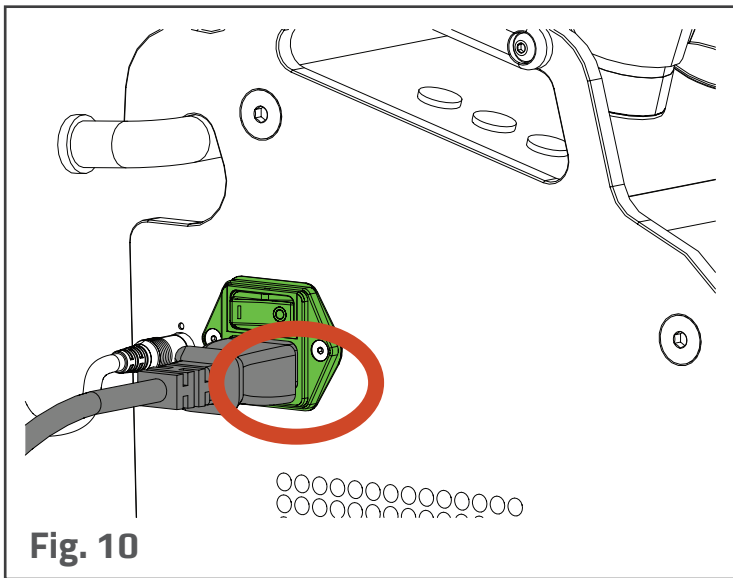
1. Push tumbler caps into tumbler openings, and twist to lock (see Fig. 9 right).
2. Slide trim bins into rails beneath main body until bins lock into place.



# OPERATION

## Step 1: Power On

1. Connect power plug to AC power inlet on control box.
2. Connect opposite end of power plug to socket (see Current and Input Voltage in **Specifications** on page 25).
3. Press power switch above AC power inlet on control box (see Fig. 10 below).



## Step 2: Load Machine

1. Support main body in a stable position so that when you pull out the body release plunger, the BatchOne does not tilt too quickly.
2. Pull out body release plunger (see Fig. 11 above).
3. Tilt the machine carefully into one of two loading tilt positions (see Fig. 12 top of page 13).
4. Release plunger to lock main body in loading tilt position.
5. Twist and then pull out raised tumbler cap.
6. Load tumbler with product (see **Recommended Product Load** on page 13).



## WARNING

**HOLD MAIN BODY SECURE. IF MAIN BODY IS NOT SECURE WHEN PLUNGER IS PULLED, THE BATCHONE WILL TILT TOO QUICKLY CAUSING DAMAGE TO THE MACHINE AND/OR BODILY HARM**



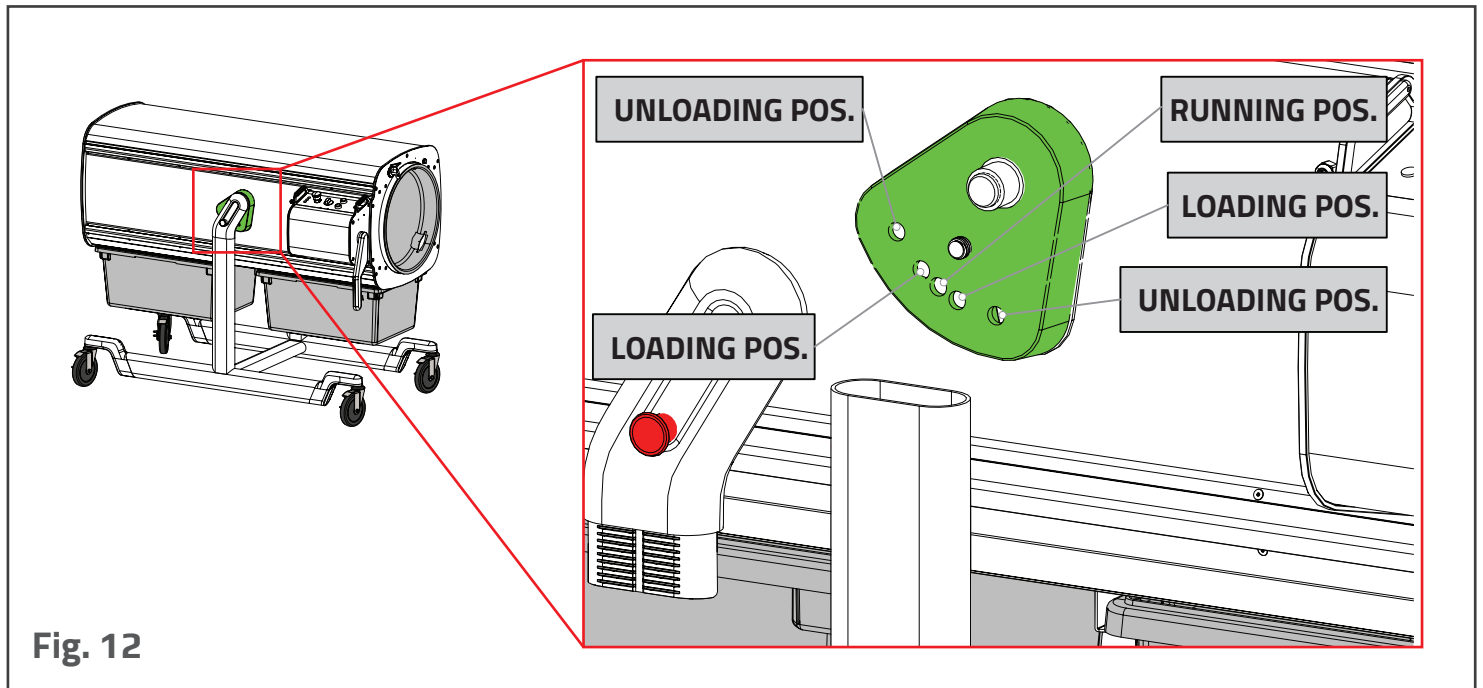


Fig. 12

## Step 2 (Continued)

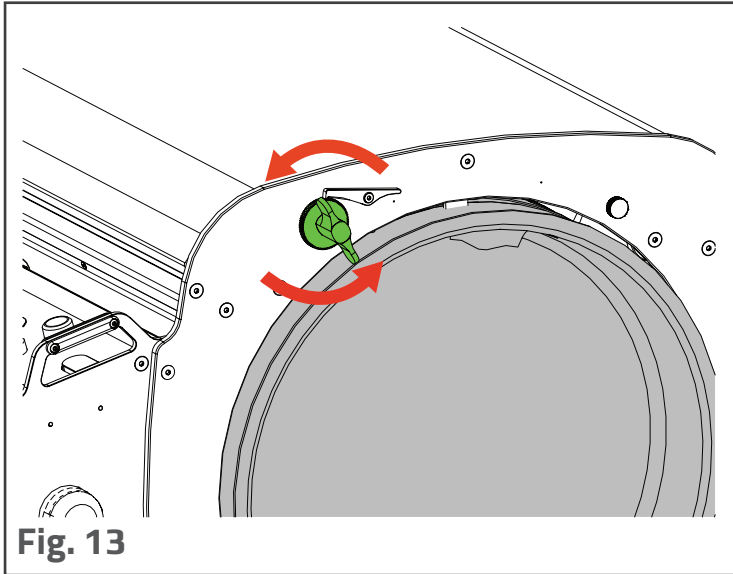
7. Reattach tumbler cap.
8. Support main body in a stable position.
9. Pull plunger, and return to horizontal position.
10. Release plunger to lock.

## Step 3: Set Trimming Adjustments and Start

1. Adjust to desired trimming closeness by rotating the tensioning knob (see Fig 13 at top of page 14).
2. Either twist TIMER knob to the right to desired trimming time\* (see **Recommended Trimming Time** on page 14) or twist TIMER knob to the left to allow BatchOne to operate continuously.

## RECOMMENDED PRODUCT LOAD

The recommended amount of product to load is between 1/2 and 2/3 of the tumbler. Loading product outside of this range may result in a lower quality trim.



## RECOMMENDED TRIMMING TIME

Every strain is different in density, every batch's relative humidity is unique, and individual loads may vary in quantity, creating different ideal trimming times. From our testing, however, we recommend trimming between 8-10% RH, with 15-20lbs of product, for 10-15 minutes.

### Step 3 (Continued)

3. Press green START button and leave the BatchOne to trim.

### Step 4: Unload Machine

1. When tumbler has stopped spinning, remove one tumbler cap.
2. Place a container below the open end of the tumbler to collect trimmed product.
3. Support main body in a stable position so that when you pull out body release plunger, the BatchOne does not tilt too quickly.
4. Pull out body release plunger.
5. Tilt the machine carefully into one of two unloading tilt positions (see Figure 11 on page 10) so that the open end of the tumbler is closest to the ground.



## WARNING

**HOLD MAIN BODY SECURE. IF MAIN BODY IS NOT SECURE WHEN PLUNGER IS PULLED, THE BATCHONE WILL TILT TOO QUICKLY CAUSING DAMAGE TO THE MACHINE AND/OR BODILY HARM**



## Step 4 (Continued)

6. Twist timer to minimal time, and press START button to aid movement of trimmed product.
7. Press STOP button once product stops exiting the tumbler.
8. Turn off the BatchOne and disconnect from power.
9. Remove any remaining product with a long brush.
10. Return the BatchOne to horizontal position.
11. Remove trim bins and empty.
12. Reconnect trim bins to the BatchOne.



The BatchOne has been designed and manufactured for optimal performance. However, to maintain high performance levels, regular inspection and cleaning of the machine is necessary.

## Inspection

Conduct the following inspections on a monthly basis:

- Inspect for signs of wear or damage on:
  - Axial Stop Rollers
  - Tumbler Brush
  - Drive wheel
  - Saddle
  - Static Dissipating Brush
  - Tumbler
  - Tumbler rollers
- Listen to whether or not the cooling fan in the control box is turning when machine is running. It should be turning.

## Flip Up or Remove Brush

The brush needs to be flipped up or taken out to remove the tumbler and clean the BatchOne. To flip up or remove brush:

1. Pull out both brush plungers (see Fig. 14 top of page 17. Pull out plungers from both ends of the machine—only one pictured).
2. With plungers pulled out, rotate brush up (see Fig. 15 top of page 17).
3. Release both brush plungers.
4. If flipping up brush, let go of brush. Brush will now sit on top of plungers. If removing brush:
  - a. Pull small plungers on top of block (see Fig. 16 on page 17).
  - b. Slide brush to release one end.
  - c. Pull released end out..



## DANGER

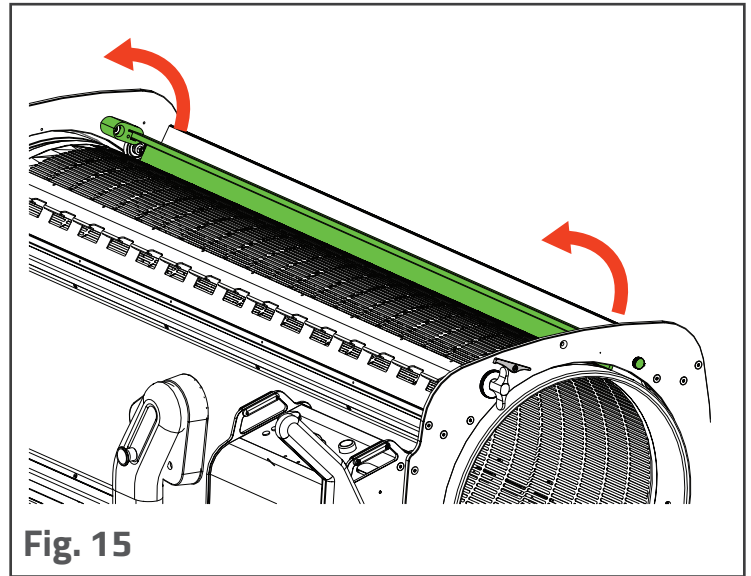
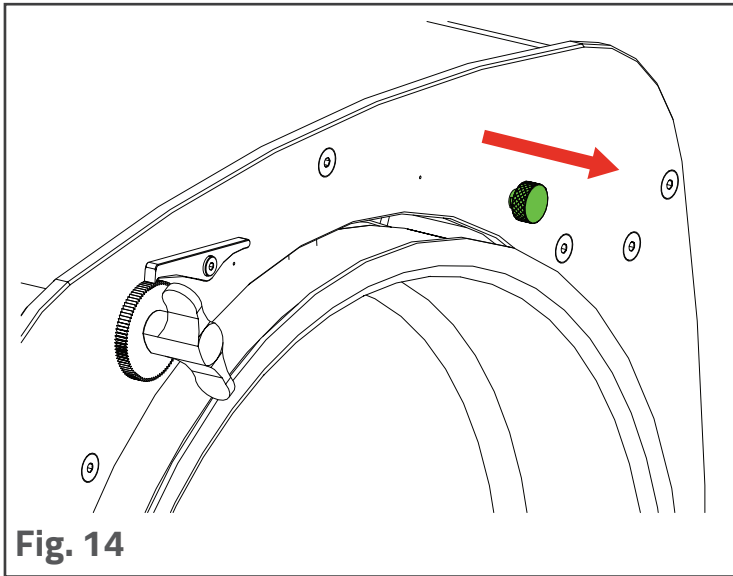
**DO NOT CONDUCT ANY INSPECTION, DISASSEMBLY, OR CLEANING WHILE THE BATCHONE IS CONNECTED TO POWER\*.**

\*Except to inspect if control box cooling fan is working



## WARNING

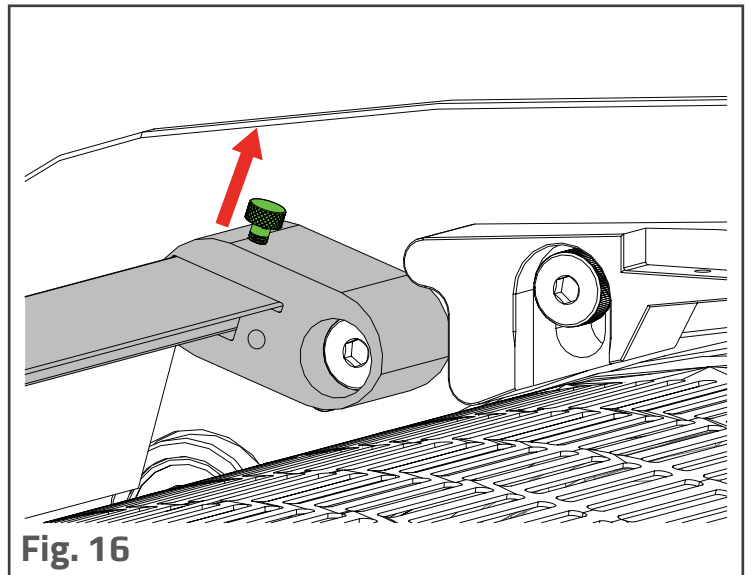
**DO NOT TAMPER WITH THE CONTROL BOX. ANY SIGNS OF TAMPERING WILL VOID THE WARRANTY.**



## Flip Up or Remove Brush (Continued)

- d. Slide brush in opposite direction to release other end.

To reattach and reengage the brush, follow these steps in reverse.



## Remove Tumbler

The tumbler needs to be removed for inspection, cleaning, and replacing the saddle. To remove tumbler from main body of the BatchOne:

1. Ensure BatchOne is in horizontal position (**SEE WARNING SIGN ON PAGE 18**).
2. Remove both tumbler caps.
3. Remove screw securing top panel to main body (see Fig. 17 top of page 18).



## WARNING

**HEAVY! TWO PERSON LIFT REQUIRED**



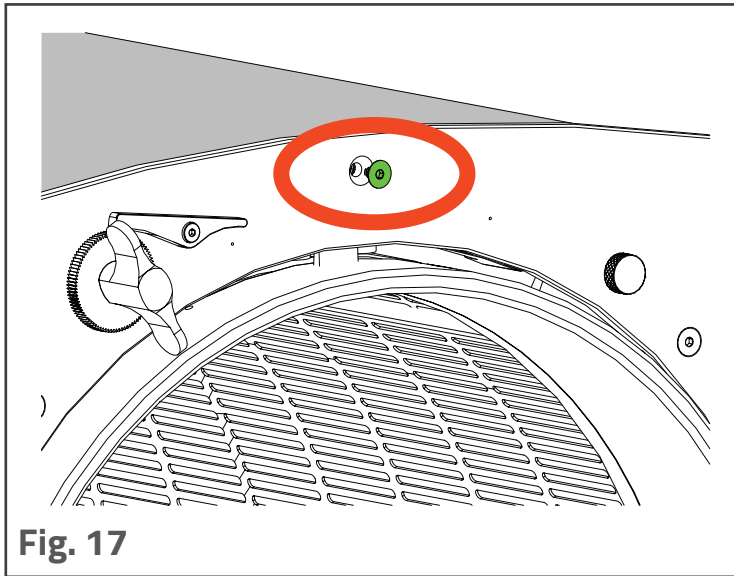


Fig. 17



## WARNING

IF THIS PROCEDURE IS COMPLETED WITH THE BATCHONE IN A TILT SETTING, THE TUMBLER MAY FALL OUT CAUSING DAMAGE TO THE COMPONENT AND BODILY HARM.



## Remove Tumbler (Continued)

4. Remove top panel by lifting.
5. Remove control box. To remove control box:
  - a. Press RELEASE button on control box.
  - b. Rotate control box upwards.
  - c. Lift control box hooks off the upper rail.
6. Flip up brush.
7. Raise to release locking mechanism on the tensioning knob (see Fig. 18 above).
8. Rotate the tensioning knob to disengage the saddle.
9. Lift retaining block by placing fingers on either side and lifting (see Fig. 19 top of page 19).
10. Slightly lift tumbler to avoid rollers being stuck in end grooves.
11. Slide out the tumbler.

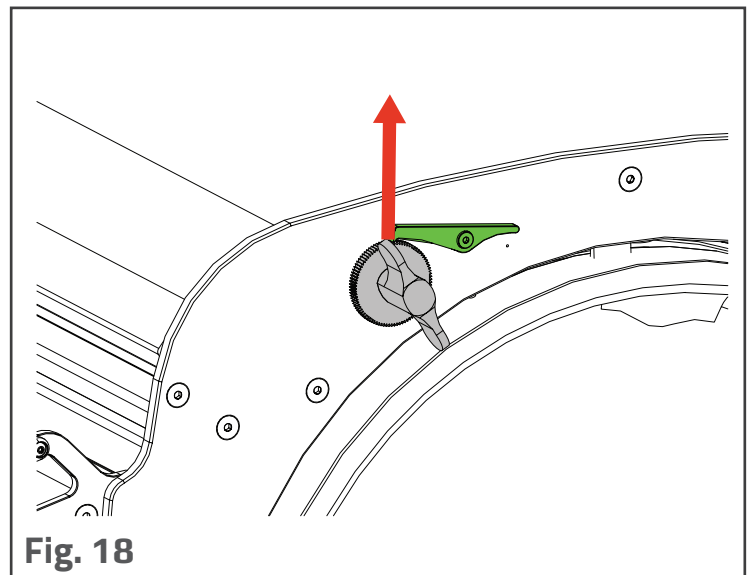
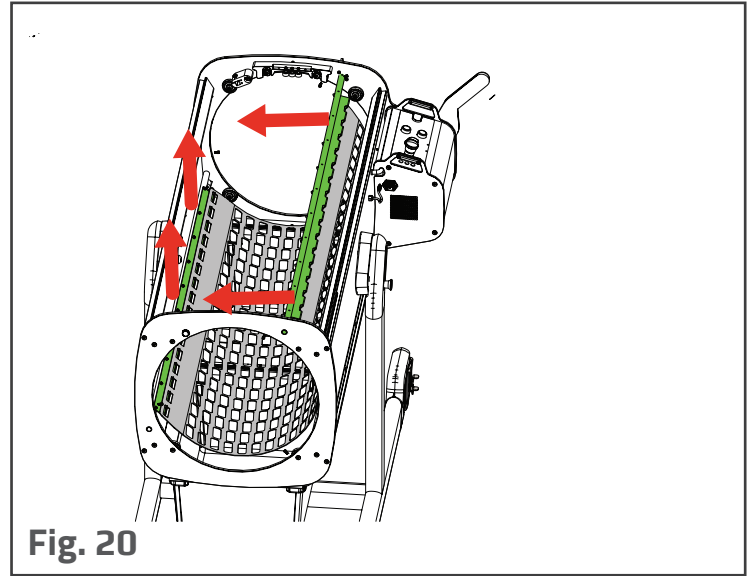
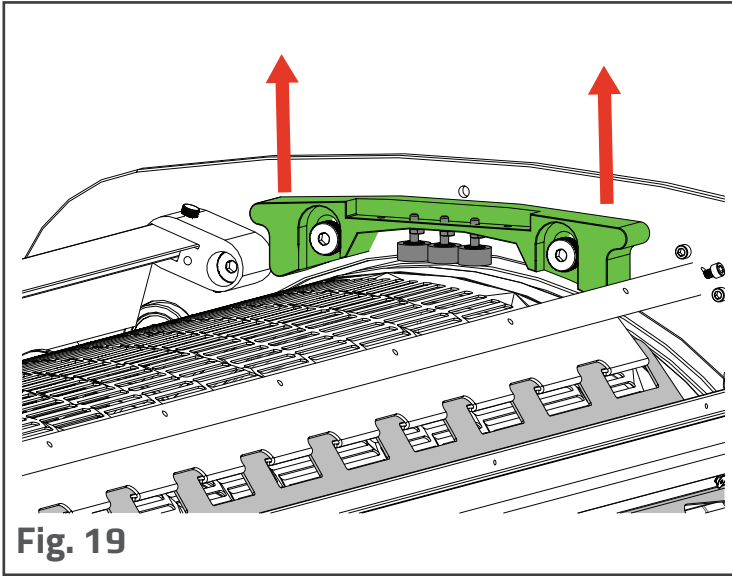


Fig. 18

To put the tumbler back in place, follow these steps in reverse.



## Clean

The BatchOne should be cleaned on a daily basis and in between trimming of different strains. To clean the BatchOne:

1. Remove control box. To remove control box:
  - a. Press RELEASE button on control box.
  - b. Rotate control box upwards.
  - c. Lift control box hooks off the upper rail.
2. Remove trim bins.
3. Remove tumbler caps.
4. Remove top panel by removing screw securing top panel to main body and lifting.
5. Remove tumbler (see Removing Tumbler on page 14).
6. Remove saddle. To remove saddle:
  - a. Pull saddle off upper hooks (see Fig. 20 above).
  - b. Pull saddle off lower hooks (see Fig. 20 above).
7. Remove baffles. To remove baffles:
  - a. Slide the baffle so that one end is no longer under the baffle guide (see Fig. 21a and Fig. 21b top of page 20).

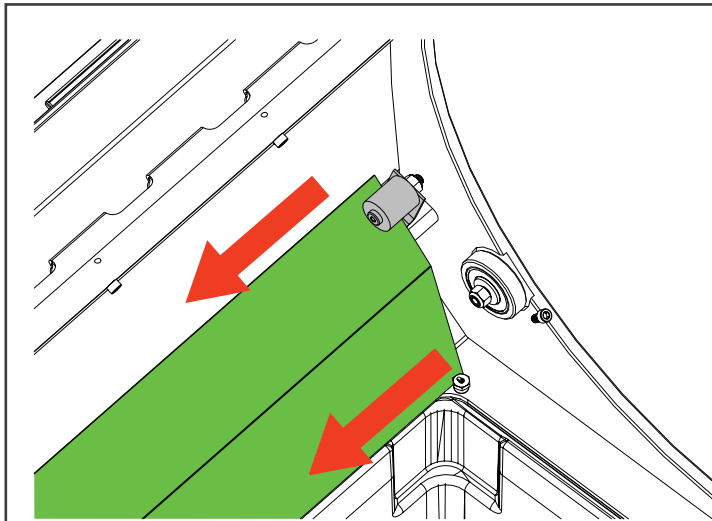


Fig. 21a

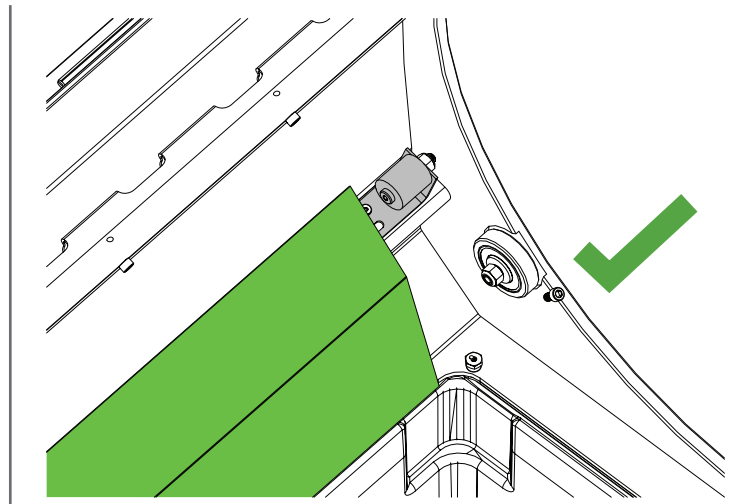


Fig. 21b

## Clean (Continued)

7. To remove baffles (continued):
  - b. Pull out the free end.
  - c. Slide back in opposite direction so that other end of the baffle is no longer under the baffle guide.
  - d. Pull out other end.
8. Pressure wash all components with water.
9. Let dry.
10. Reassemble BatchOne by following steps 1-7 in reverse.

## Tumbler is Not Moving Despite Drive Wheel Moving

This may occur for two reasons:

- There is not enough traction between drive wheel and tumbler.
- The saddle tension is too tight.

### **If there is not enough traction:**

- Clean both the tumbler and the drive wheel.

### **If the saddle tension is too tight:**

- Loosen the tensioning knob one notch.

## Machine Won't Run

This may occur if the fault light is on. The BatchOne cannot run if the fault light is on. The fault light goes on when:

- The E-STOP button has been pressed.
- The control box lever is not in the locked position.
- The motor is too hot.

### **If the fault light is on:**

1. Ensure the E-STOP button is not pushed in by pulling it out.
2. Ensure the control box lever is in the locked position—if not, lock it.
3. Allow the machine to cool down.

# WARRANTY INFORMATION

Keirton Inc.® will repair or replace any parts proven defective in material or workmanship without charge for a period of one year.

The warranty period will begin on the date the machine is purchased by the initial purchaser. The BatchOne warranty defects can be remedied at any authorized service dealer or directly by Keirton Inc. Any service work performed and deemed valid due to a defective part will be free of charge. Keirton Inc. reserves the right to use any manufacturer approved replacement part for warranty repair.

If warranty repair is required, please contact Keirton Technical Support. at **1-888-254-3204** or **support@keirton.com** and provide the following information:

- Model and serial number
- Proof of purchase date
- Copy of original Warranty Registration Card (unless registration was completed online)
- Details of defect or problem (including photos/video).

Pending approval from Keirton Inc., the machine or defective part then must be returned to Keirton Inc. for analysis and replacement. **Do not return the machine to the place of purchase for repair or warranty claims unless you have been authorized by Keirton Inc. to do so.** The place of purchase can only sell replacement parts and will not repair warranty issues unless it is noted as an authorized repair dealer and has been authorized to work on your machine.

You may be denied warranty coverage if your machine has failed due to:

- Abuse
- Accidental damage
- Improper electrical connection
- Improper maintenance
- Neglect
- Normal wear
- Unapproved modifications.

# WARRANTY INFORMATION

Keirton Inc. assumes no risk and shall be subject to no liability for damages or loss resulting from the specific use or application made of the product. In no event will Keirton Inc. be liable for any special, incidental, or consequential damages (including loss of use, loss of profit, and claims of third parties) however caused, whether by negligence of the manufacturer or otherwise. If you have any questions regarding your warranty rights and responsibilities, please contact Keirton Inc.

The BatchOne is intended for use on legal aromatic herbs and hops. Please check all municipal, provincial/state, and federal laws and regulations before using the BatchOne. Keirton Inc. does not promote or condone the use of the BatchOne in any way that may be deemed illegal.

Allow only persons who understand this manual to operate the BatchOne. Keirton Inc. claims no liability for any damage or injury that results from the use of the BatchOne by persons who have not read and understood the cautions, warnings, and danger notices contained in this manual or through any misuse of the BatchOne. You are responsible for your safety while operating this machine. **Please keep yourself safe!**

To receive maximum performance and satisfaction from the BatchOne it is important that you read and understand the safety and maintenance precautions in this manual before using the machine.



# REPLACEMENT PARTS

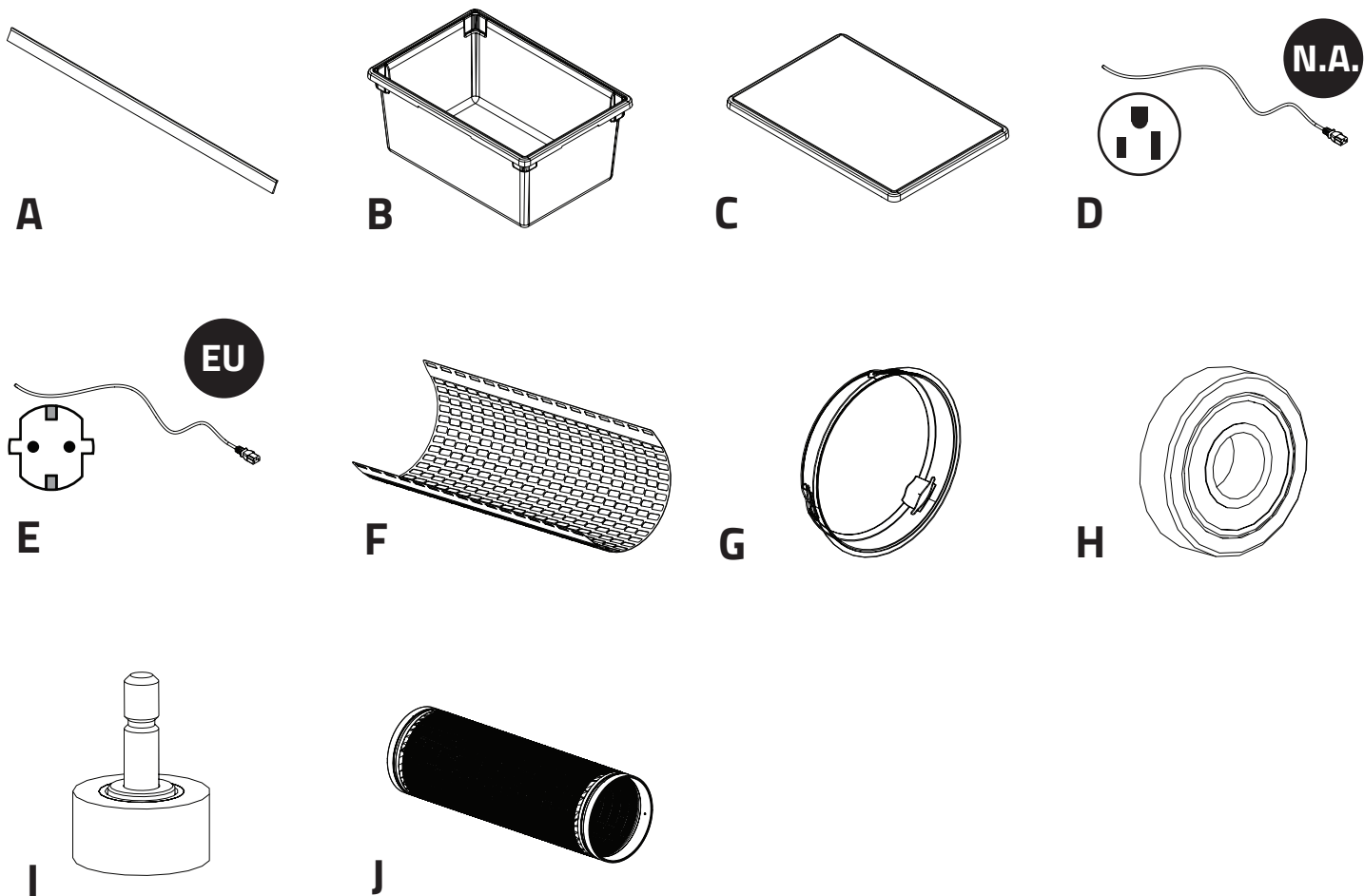


Fig. 22

Ref.	Part Number	Description
A	11-10293A	Brush
B	14-10067	Trim Bin
C	14-10108	Trim Bin Lid
D	15-01-000286	Power Cord <b>(North America)</b>
E	15-01-000424	Power Cord <b>(Europe)</b>
F	17-10071A	Saddle
G	17-10072A	Tumbler Cap
H	17-10084	Tumbler Roller
I	19-10010	Axial Stop Roller
J	24-10040A	Tumbler

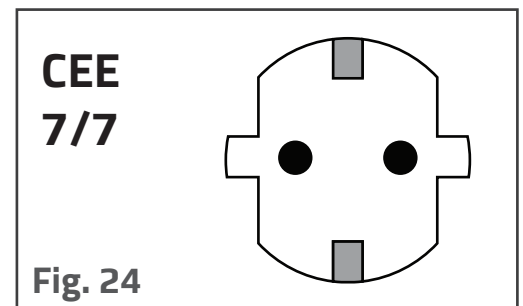
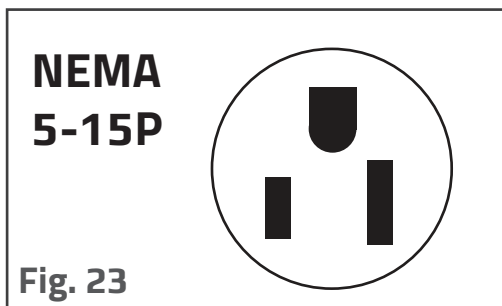
# SPECIFICATIONS

## North American Specifications

Circuit Breaker Required	15A, 120V
Connector Plug	NEMA 5-15P (see Fig. 23 below)
Current (Amps)	2.7A
Height	48in/121.9cm
Input Voltage	120V, 60Hz
Length	63in/160cm
Product Number	02-10007A
Tumbler Diameter	19.5in/49.5cm
Tumbler Motor	1/4HP/200W
Tumbler Speed	21RPM
Width with Control Box	34in/86.4cm
Width without Control Box	31in/78.7cm

## European Specifications

Circuit Breaker Required	16A, 240V
Connector Plug	CEE 7/7 (see Fig. 24 below)
Current (Amps)	1.4A
Height	48in/121.9cm
Input Voltage	240V, 50Hz
Length	63in/160cm
Product Number	02-10029A
Tumbler Diameter	19.5in/49.5cm
Tumbler Motor	1/4HP/200W
Tumbler Speed	21RPM
Width with Control Box	34in/86.4cm
Width without Control Box	31in/78.7cm



# CONTACT US

Keirton Technical Support is available at **1-888-254-3204** or **support@keirton.com** between 7 a.m. and 7 p.m. Pacific Standard Time seven days a week.

