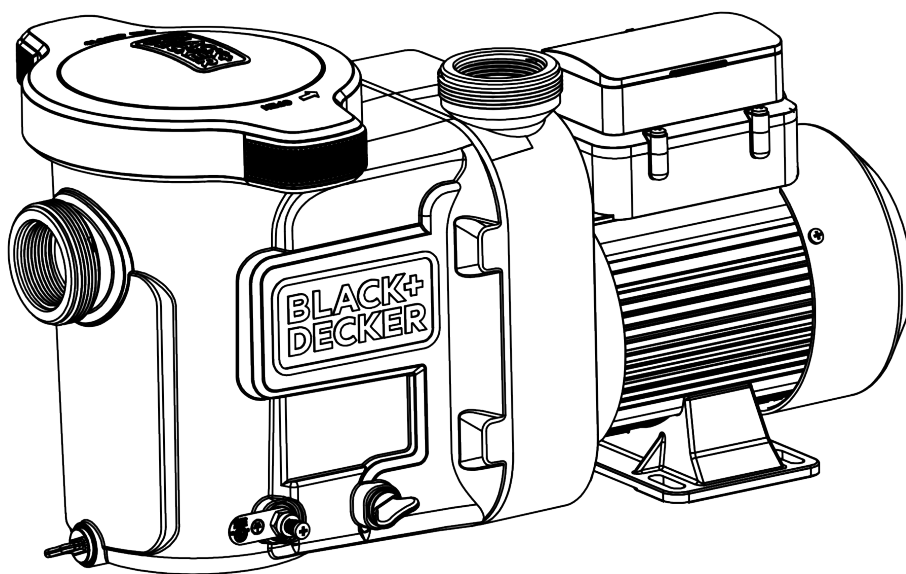


BLACK+ DECKER

VARIABLE SPEED PUMP
INSTRUCTION MANUAL

CATALOG NUMBERS
BDXBTAGVAR



Please read before returning this product for any reason.

TABLE OF CONTENTS

1.Important Safety Instructions	3-4	3.9 Control Panel Overview.....	10
2.General Description	5	3.10 Display Power Saving Mode.....	11
2.1 Introduction	5	3.11 Stopping the Pump.....	11
2.2 Pump Overview	5	3.12 Programming the Priming Speed and Time....	11
2.3 Controller Overview	5	3.13 To Change the Default Preset Speed Settings.	11
2.4 Control Panel Overview	6	3.14 Lockout Keypad Programming	11
2.5 Pump Dimension	6	3.15 Recover Factory Default Speed Settings.....	11
2.6 Product Specifications	6	4. Maintenance	12
2.7 Product Contents	7	5. Storage/Winterization	12
3. Installation and Wiring	7	5.1 Storing Pump For Winterization	12
3.1 Preparation Guide	7	6. Shaft Seal Change Instructions	12
3.2 Pump location	7	6.1 Shaft Seal Change Procedure	13
3.3 Plumbing	8	7. Troubleshooting	14
3.4 Electrical	8	7.1 Errors and Alarms	15
3.5 Electrical Specs	9	8. Replacement Parts	16
3.6 Voltage	9	9. Limited Warranty.....	17
3.7 Grounding and Bonding	9		
3.8 Wiring	9		

EQUIPMENT INFORMATION RECORD

DATE OF INSTALLATION _____

INSTALLER INFORMATION _____

INITIAL PRESSURE GAUGE READING (WITH CLEAR FILTER) _____

PUMP MODEL HORSEPOWER _____

NOTES: _____

Definitions: Safety Alert Symbols and Words

This instruction manual uses the following safety alert symbols and words to alert you to hazardous situations and your risk of personal injury or property damage.

- ⚠ DANGER:** Indicates an imminently hazardous situation which, if not avoided, **will** result in **death or serious injury**.
- ⚠ WARNING:** Indicates a potentially hazardous situation which, if not avoided, **could** result in **death or serious injury**.
- ⚠ CAUTION:** Indicates a potentially hazardous situation which, if not avoided, **may** result in **minor or moderate injury**. (Used without word) Indicates a safety related message.
- ⚠ NOTICE:** Indicates a practice **not related to personal injury** which, if not avoided, **may** result in **property damage**.

1. Important Safety Instructions

When using electrical appliances, basic precautions should always be followed, including the following: READ ALL INSTRUCTIONS BEFORE USING THE APPLIANCE.

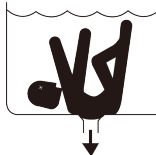
- ⚠ WARNING:** Read all safety warnings and all instructions. Failure to follow the warnings and instructions listed below may result in electric shock, fire and/or serious injury.
- ⚠ WARNING:** To reduce the risk of injury, do not permit children to use or climb on this product.
- ⚠ WARNING:** Improper installation will create an electric hazard which could result in death or serious injury to pool users, installers, or others due to electrical shock, and may also cause damage to property.
- ⚠ WARNING: Risk of Electric Shock.**
 1. This pump is for use with 115Vrms nominal, and for pool pump applications ONLY. Connection to the wrong voltage, or use in other application may cause damage to equipment or personal injury.
 2. Always disconnect power to the pool pump at the circuit breaker before servicing the pump. Failure to do so could result in death or serious injury to serviceman, pool users, or others due to electric shock.
 3. All electrical wiring MUST be in conformance with all applicable local codes, regulations, and the National Electric Code® (NEC®).
 4. In accordance with the National Electric Code® (NEC®), this unit must be connected only to a supply circuit that is protected by a ground-fault circuit-interrupter (GFCI).
 5. To reduce the risk of electrical shock, replace any damaged cord immediately.

⚠ WARNING: RISK OF ENTRAPMENT HAZARD.

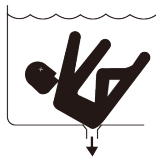
Pool and spa pumps produce high levels of suction, which can pose extreme danger if a person comes in close proximity to an open pool or spa drain or if a drain cover is loose, cracked, broken, or missing:



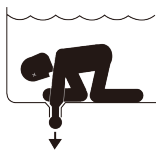
Hair Entrapment - Hair can be entangled in suction outlet cover.



Body Suction Entrapment - A differential pressure applied to a large portion of the body or limbs can result in an entrapment.



Disembowelment - A negative pressure applied directly to the intestines through an unprotected suction outlet sump or suction outlet cover which is damaged, broken, cracked, missing, or unsecured can result in evisceration/disembowelment.



Mechanical Entrapment - There is potential for jewelry, swimsuits, hair decorations, fingers, toes, or knuckles to be caught in an opening of a suction outlet cover, resulting in mechanical entrapment.

⚠ WARNING:

1. When outlets are small enough to be blocked by a person, a minimum of two functioning suction outlets per pump must be installed. Suction outlets in the same plane (i.e. floor or wall), must be installed a minimum of three feet (3') [0.91 meter] apart, as measured from near point to near point.
2. Dual suction fittings shall be placed in such locations and distances to avoid "dual blockage" by a user.
3. Dual suction fittings shall not be located on seating areas or on the backrest for such seating areas.
4. Failure to keep suction outlet components clear of debris, such as leaves, dirt, hair, paper, and other material can result in an increased potential for suction entrapment.
5. Installation of a vacuum release or vent system, which relieves entrapping suction, is recommended.

⚠ WARNING: RISK OF PRESSURE HAZARD.

1. When pressure testing a system with water, air is often trapped in the system during the filling process. This air will compress when the system is pressurized. Should the system fail, this trapped air can propel debris at a high speed and cause injury. Every effort to remove trapped air must be taken, including opening the bleed valve on the filter and loosening the pump basket lid while filling the pump.
2. Trapped air in the system can cause the filter lid to be blown off, which can result in death, serious injury, or property damage. Be sure all air is properly purged out of the system before operating.
3. DO NOT USE COMPRESSED AIR TO PRESSURE TEST OR CHECK FOR LEAKS.

NOTICE: Do not start pump dry! Running the pump dry for any length of time will cause severe damage for the pump and will void the warranty.

SAVE THESE INSTRUCTIONS

2. General Information

2.1 Introduction

This manual contains information for the proper installation and operation of the Black & Decker variable speed pump family. The instructions in this manual **MUST** be followed precisely. Black & Decker Variable Speed Pumps can be run from 1000 RPM to 3450 RPM. This allows you to select the most appropriate speed for your application.

2.2 Pump Overview

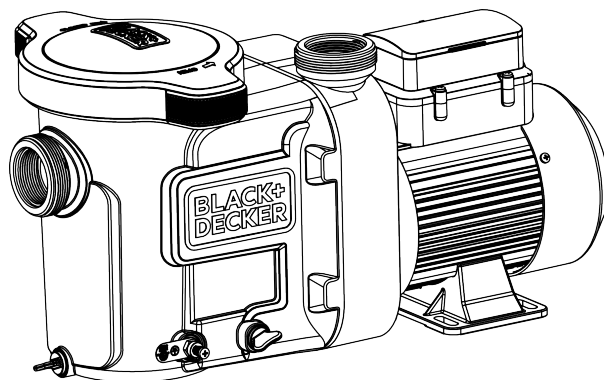
The perfect choice for all types of pools, the Variable Speed Pump was specifically designed to be your best choice for a variety of in-ground pools. Thick walled body parts, a heavy duty TEFC motor, and highly engineered hydraulics make this rugged and tested design perfect for any pool, spa, water feature, or fountain.

2.3 Controller Overview

The Variable Speed Pump uses a premium efficiency variable speed motor that provides tremendous program flexibility in terms of motor speed and duration settings. The pump is intended to run at the lowest speeds needed to maintain a sanitary environment, which in turn minimizes energy consumption. Pool size, the presence of additional water features, chemicals used to maintain sanitary conditions, and local environmental factors will impact optimal programming necessary to maximize energy conservation.

The integrated electronics interface controls the speed settings as well as the run durations. The pump can operate at speeds ranging between 1000 and 3450 RPM and will operate within the voltage range of 115Vrms at either 50 or 60Hz input frequency. Program customization may require some trial-and-error to determine the most satisfactory settings as dictated by the conditions. In most cases, setting the pump at the lowest speed for the longest duration is the best strategy to minimize energy consumption. However, conditions may require running the pump at a higher speed for some duration of time each day to maintain proper filtration to achieve satisfactory sanitation.

Note: Optimize the pump to suit individual pool conditions. Specific conditions including pool size, other devices, features, and environmental factors can all impact the optimal settings.

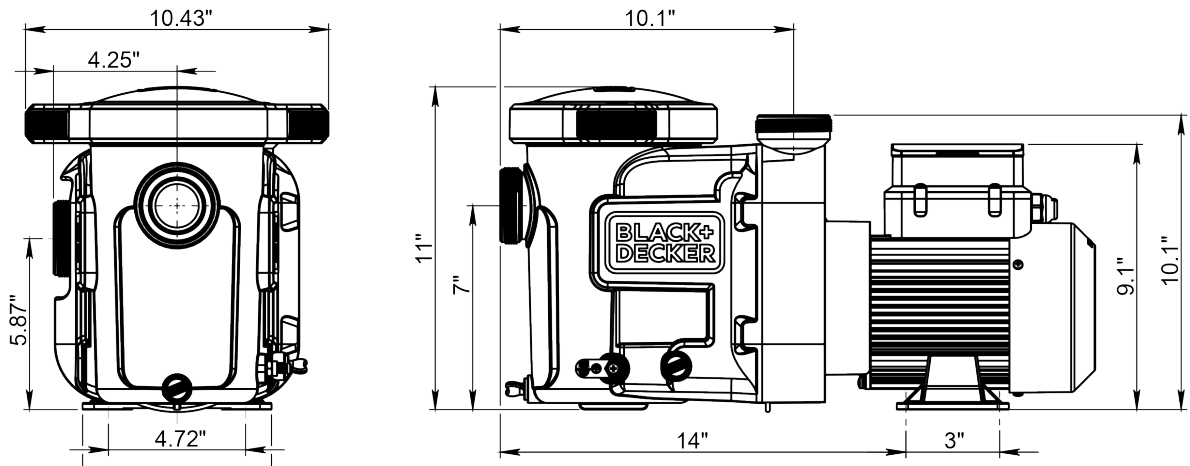


General Features

- Totally enclosed, permanent magnet motor.
- Advanced hydraulic design.
- Programmable with up to 3 custom speeds.
- For enhanced pool management, can be controlled by third party pool and spa control platforms.
- Motor drive includes built-in protection for high temperatures and voltage fluctuations.

2.4 Pump Dimension

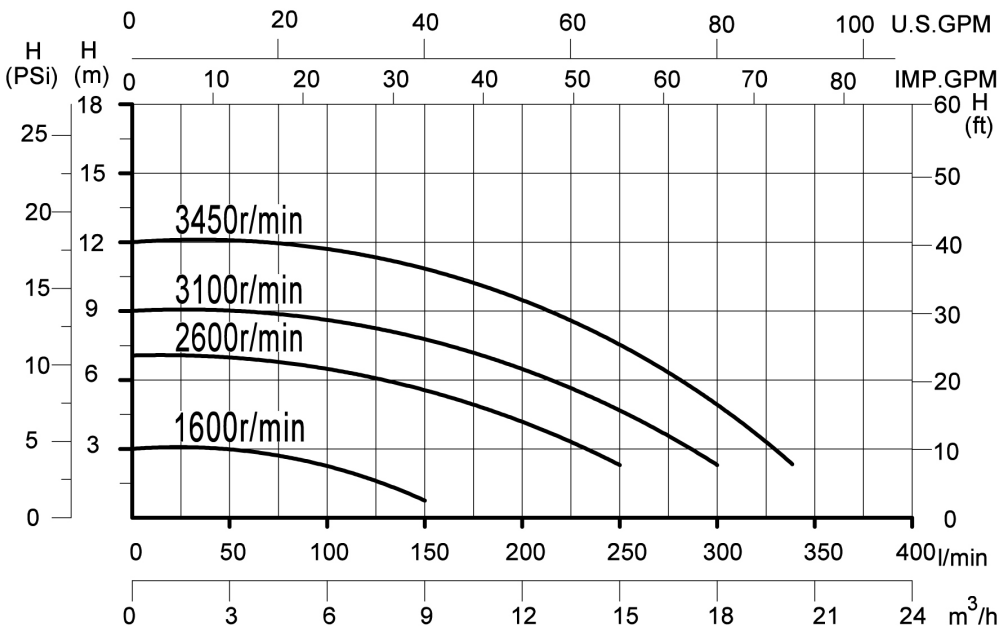
Note: When installing a pump, leave a minimum of one (1) feet (30 cm) of clearance above the pump for removal of the strainer basket.



2.5 Product Specification

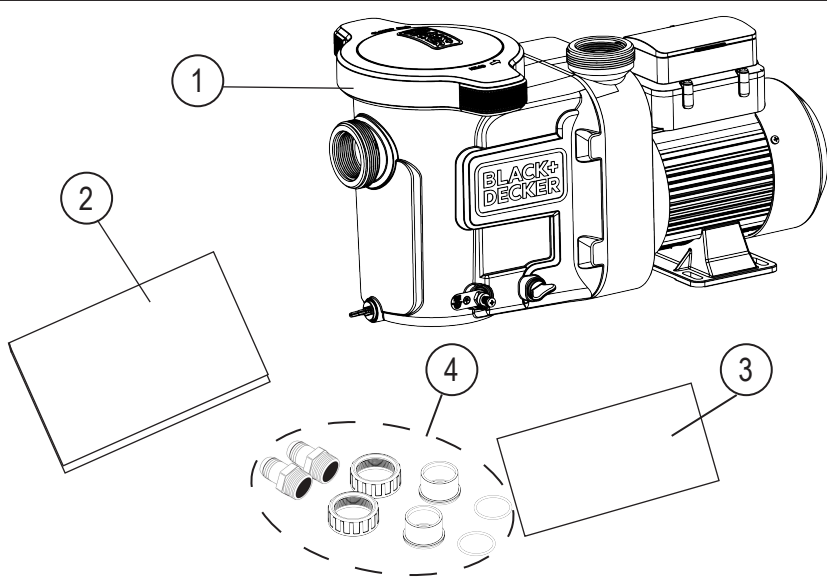
Model No.	HP	Voltage	Input Frequency	Max Watts	Amps	Speed Range	Union Size	Weight
BDXBTAGVAR	1.5	115 VAC	50/60HZ	900 W	11	1000-3450	1.5" x 1.5"	10.5Kg(23lb)

2.6 Pump Performance Curves



2.7 Product Contents

ITEM	DESCRIPTION
1	Variable Speed Pump
2	Installation and Operation Manual
3	Large Drawstring Bag
4	Hose Adapters (2)
	O-Ring (2)
	Union Nut (2)
	Tailpiece 1.5" (2)



3. Installation and Wiring

3.1 Preparation Guide

Upon receipt of the pump, check the carton for damage. Open the carton and check the pump for concealed damage, such as cracks, dents, or a bent base. If damage is found, contact the shipper or distributor where the pump was purchased.

Inspect the contents of the carton and verify that all parts are included. See Section 2.7, Product Contents.

3.2 Pump location

The Black & Decker Above-Ground pump **MUST** be installed below the pool water line.

Place pump on solid foundation which provides a rigid and vibration-free support so that it is readily accessible for service and maintenance.

Install the pump in a well-ventilated location protected from direct sunlight and excessive moisture.

Protect the pump against flooding, and prevent foreign objects from clogging air circulation around motor. All motors generate heat that must be removed by providing proper ventilation.

3.3 Plumbing

When connecting pipework to pump with threaded ports, it is recommended that thread seal tape be used. Hard-plumbed pipes must have proper solvent-weld connections. Flexible hose connections must be tightened properly. If the suction line is not sealed correctly, the pump will not prime properly and will pump small volumes of water or none at all.

Piping - Flexible Hose, PVC, or Reinforced Hose are all acceptable piping methods.

Before starting the pump for the first time, remove the clear lid. (Turn lid ring counter-clockwise to remove.) Fill strainer tank with water until it is level with the suction inlet. Replace lid with locking ring. Hand-tighten the lid to make an air-tight seal. DO NOT use any tools to tighten the lid.

To avoid pump strain, support suction and outlet independently. Place supports near pump. To avoid strain left by a gap at last connection, start all piping at pump and run pipe AWAY from pump.


For pump outlet use 1-1/2" PVC pipe or reinforced hose. For pump suction on ALL models, use 1-1/2" reinforced hose. Increase size if a long run is needed. For pipe larger than port, use reducing fitting in strainer port.

NEVER use suction pipe SMALLER than pump suction connections. Suction pipe inlet must be lower than pump inlet port.

Use the fewest number of fittings as possible. Each additional fitting has the effect of moving the equipment farther away from the water.

3.4 Electrical

- Install all equipment in accordance with the National Electrical code and all applicable local codes and ordinances.
- A means for disconnection must be incorporated in the fixed wiring in accordance with the wiring rules.

	<p>RISK OF ELECTRICAL SHOCK OR ELECTROCUTION. The Variable Speed Pump must be installed by a licensed or certified electrician or a qualified service professional in accordance with the National Electrical Code and all applicable local codes and ordinances. Improper installation will create an electrical hazard which could result in death or serious injury to users, installers, or others due to electrical shock, and may also cause damage to property.</p> <p>Always disconnect power to the pump at the circuit breaker before servicing the pump. Failure to do so could result in death or serious injury to service people, pool users, or others due to electric shock and/or property damage.</p> <p>Read all servicing instructions before working on the pump.</p>
---	--

⚠ WARNING: Ground and bond pump before connecting to electrical power supply. Failure to ground and bond pump can cause serious or fatal electrical shock hazard. Do NOT ground to a gas supply line. To avoid dangerous or fatal electrical shock, turn OFF power to pump before working on electrical connections. Fire Hazard - match supply voltage to pump nameplate voltage. Insure that the electrical supply available agrees with the pump's voltage, phase, and cycle, and that the wire size is adequate for the amps rating and distance from the power source. Use copper conductors only.

3.5 Electrical Specifications

Voltage: 115VAC, 50/60Hz, Single Phase

Speed Range: 1000 - 3450 rpm

Use copper conductors only. For indoor & outdoor use. Connect pump to a 15 amp branch circuit in accordance with local codes, regulations, and the National Electric Code (NEC). A disconnecting means located at least 5 feet from the inside wall of the pool, spa, or hot tub must be provided.

3.6 Voltage

Voltage at pump MUST NOT be more than 10% above or below nameplate rated voltage, or components may overheat, causing overload tripping and reduced component life. If voltage is less than 90% (104VAC) or more than 110% (126VAC) of rated voltage (115VAC) when pump is running at full load, consult the power company.

3.7 Grounding and Bonding

Install, ground, bond, and wire pump in accordance with local or National Electrical Code requirements.

Permanently ground pump. Use green ground terminal provided under access plate; use size and type wire required by code. Connect ground terminal to electrical service ground.

Bond the motor using the provided external lug.

Bond pump to pool structure. Bonding will connect all metal parts within and around the pool with a continuous wire. Bonding reduces the risk of a current passing between bonded metal objects, which could potentially cause electrical shock if grounded or shorted. Reference NEC codes for all wiring standards including, but not limited to, grounding, bonding, and general wiring procedures.

The motor frame must be grounded to a reliable grounding point using a solid copper conductor, No. 8 AWG or larger. In Canada, No. 6 AWG or larger must be used. If the pump is installed within five (5) feet of the inside walls of the swimming pool, spa, or hot tub.

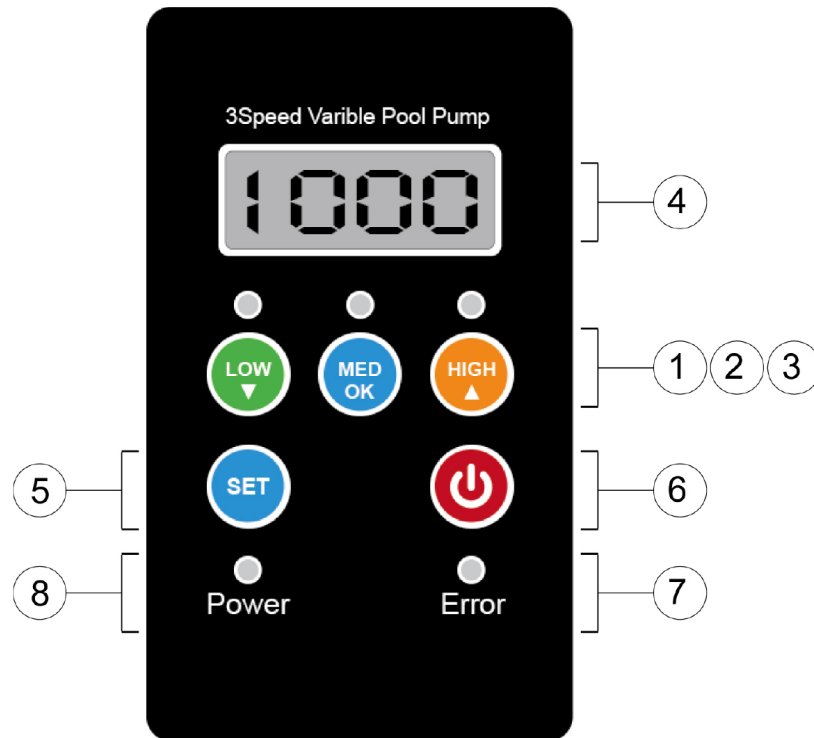
3.8 Wiring

⚠ WARNING: All electrical wiring MUST conform to local codes, regulations, and National Electric Code (NEC).

Pump MUST be permanently connected to circuit. If other lights or appliances are also on the same circuit, be sure to add their amp loads before calculating wire and circuit breaker sizes. Use the circuit breaker as the master On-Off switch.

Recommended Wire Sizes			
Distance from Sub-panel	0 - 50 Feet	50 - 100 Feet	100 - 150 Feet
Voltage	115 VAC		
Minimum Wire Size (AWG)	12	10	8

3.9 Control Panel Overview



CAUTION

If power is connected to the Variable Speed Pump motor, pressing any of the following buttons referred to in this section could result in the motor starting. Failure to recognize this could result in personal injury or damage to equipment.

Keypad Navigation

1. Button “LOW/▼”: used to select the fixed LOW speed or to decrease speed while in the programming mode.
2. Button “MED/OK”: used to select the fixed MEDIUM speed or to confirm/save parameters while in the programming mode.
3. Button “HIGH/▲”: used to select the fixed HIGH speed or to increase speed while in the programming mode.
4. LED display window: displays the current speed of the motor, or error code message.
5. “SET” button: used to enter the programming mode or to reset the control.
6. Button “⏻”: used to STOP the motor.
7. Error light: illuminates when there is a fault detected.
8. Power light: illuminates when power turns on.

Starting the Pump

To start the pump press the button “1”, “2”, or “3” to select the preset fixed speed. If the pump starts from standby mode, it starts up and subsequently runs with the selected fixed speed.

The default speed settings are as follows.

Speed 1 = 1600 rpm

Speed 2 = 2600 rpm

Speed 3 = 3450 rpm

The pump will automatically change from selected speed “3” to speed “1” after 2 hours of run time.

The pump will automatically change from selected speed “2” to speed “1” after 24 hours of run time.

3.10 Display Power Saving Mode

The LED display turns off after 3 minutes if there is no action detected from the keypad.

3.11 Stopping the Pump

If the pump is stopped normally by pressing the Button “**⏻**”, the “**POWER**” LED flashes and the LED display window shows “**OFF**”. If the pump is stopped by a detected fault, the “**POWER**” LED flashes and the LED display window will show an error code number. Refer to the error code chart for the error code number shown and its description of the fault detected.

3.12 Programming the Priming Speed and Time

The pump is factory set with a default priming cycle of 3450 RPM for 2 minutes. The following steps show how to change these parameters:

1. With power applied to the pump, press the “**⏻**” button. This will stop the pump if it is running, and the LED window will display “**OFF**.”
2. Press and hold the “**SET**” button for at least 3 seconds. The priming power level should start flashing in the LED window.
3. Press the “**LOW/ ▼**” button to decrease the speed or the “**HIGH/ ▲**” button to increase the speed. The speed decreases or increases by 50 rpm.
4. Press the “**OK**” button to save the priming power level setting. The priming time will then begin flashing in the LED window. To cancel and return to the previous mode, press the “**SET**” button.
5. Press the “**LOW/ ▼**” button to decrease the time or the “**HIGH/ ▲**” button to increase the time in increments of 1 minute. Priming time range is 0-10 minutes. To cancel without changing the priming time, press the “**SET**” button.
6. Press the “**OK**” button to save the priming time setting and exit the programming sequence.

NOTE: Setting the priming time to 0 minutes will disable the priming cycle.

3.13 To Change the Default Preset Speed Settings

Press the button “**1**”, “**2**”, or “**3**” for the fixed speed which is to be changed. The LED window displays the current speed, then press and hold the “**SET**” button for at least 3 seconds until the speed displayed in the LED window begins to flash. The speed can then be changed using the “**LOW/ ▼**” or “**HIGH/ ▲**” buttons. The speed decreases or increases by 50 rpm. The upper limit of the speed is 3450 rpm and the lower limit is 1000 rpm. To save the set speed, confirm with the “**OK**” button. To cancel and return to the original speed press the “**SET**” button.

3.14 Lockout Keypad Programming

The keypad programming can be locked out for security to avoid unauthorized changes. The lock out function is initialized by pressing the “**⏻**” and “**SET**” buttons simultaneously. Once the lock out security function is activated, a “.” (period) mark will be displayed at the right side of the LED display window. To unlock the security lockout function, just repeat the same operation as above.

3.15 Recover Factory Default Speed Settings

The motor can be reset to the factory default speed settings by pressing the “**SET**” button for at least 15 seconds then releasing it. The three LED’s for the fixed speeds and the “**POWER**” LED turn on.

4. Maintenance

This pump requires little or no service other than reasonable care and periodic cleaning of the strainer basket. DO NOT strike basket to clean. When cleaning the basket inspect the lid O-ring for damage and replace if necessary.

Pumps have self-lubricating motor bearings and shaft seals. No lubrication is necessary.

Keep motor clean. Ensure motor air vents are free from obstruction to avoid damage. Do NOT use water to hose off motor.

The mechanical seal may become worn or loose over the course of time, depending on the running time and water quality. If water continually leaks out, a new mechanical seal should be fitted. After long periods of no operation (seasonal storage, etc., the pump must be checked for ease of rotation while it is switched off. Occasionally, shaft seals must be replaced, due to wear or damage. Replace with genuine seal assembly kit. Detailed instructions for removing and replacing the mechanical seal begin on page 12. See “6. Shaft Seal Change Instructions” in this manual.

5. Storage/Winterization

NOTICE: The pump must be protected when freezing temperatures are expected. Allowing the pump to freeze will cause severe damage and void the warranty.

⚠ WARNING: To avoid dangerous or fatal electrical shock hazard, turn OFF power to motor before draining pump. Failure to disconnect power may result in serious personal injury or death.

Drain all water from pump and piping when expecting freezing temperatures or when storing pump for a long time (see instructions below. Gravity drain system as far as possible.

Keep motor dry and covered during storage. To avoid condensation/corrosion problems, do NOT cover or wrap pump with plastic film or bags.

5.1 Storing Pump For Winterization

1. Drain water level below all inlets to the pool.
2. Remove drain plugs and strainer cover from strainer housing. (See “Parts Diagram” in section 8.0 of this manual for pump component locations.)
3. Disconnect pump from mounting pad, wiring (after power has been turned OFF), and piping.
4. Once the pump is fully drained of water, re-install the strainer cover and drain plugs. Store pump in a dry area.

6. Shaft Seal Change Instructions

IMPORTANT SAFETY INSTRUCTIONS PLEASE READ AND FOLLOW ALL INSTRUCTIONS

The National Electrical Code requires either a three (3) foot maximum twist-lock cord set with a GFCI protected receptacle or hard wire (conduit) connection for swimming pool pump installation. When servicing electrical equipment, basic safety precautions should always be observed including the following. Failure to follow instructions may result in injury.

⚠ WARNING:

1. To reduce risk of injury, do not permit children to use this product.
2. Disconnect all electrical power service to pump before beginning shaft seal replacement.

3. Only qualified personnel should attempt rotary seal replacement. Contact your local authorized Dealer or service center if you have any questions.
4. Do not use extension cords.

Refer to Figure 8-1 for pump component locations. Exercise extreme care in handling both the rotating and the stationary sections of the two-part replacement seal. Foreign matter or improper handling will easily scratch the graphite and ceramic sealing surfaces.

6.1 Shaft Seal Change Procedure

1. Shut off water flow to pump by closing appropriate valves or by plugging both the skimmer outlet port and return port to pool. Disconnect piping or hoses from the motor/pump assembly.
2. Unscrew seven (7) screws (#10) and remove pump strainer housing (#4) AND diffuser (#7), exposing the impeller.
3. Rotate the impeller in a counterclockwise direction and remove it from the motor shaft.
4. Note how the steel spring section of the old seal is positioned on impeller hub and remove it by pulling from the impeller.
5. Remove motor fan cover. Then loosen four (4) motor through bolts from the back of motor and remove pump housing/shroud from the front of the motor.
6. Remove the ceramic stationary portion of the old seal by pressing the white ceramic seat out of the pump housing recess. If assembly is tight, tap lightly from the "motor" side.
7. Clean and lubricate the impeller stem and the pump housing recess with a dilute solution of non-granulated liquid-type soap. Do not use petroleum or silicone lubricants as these can contribute to seal leakage.
8. Press the new rotating portion of the seal assembly onto the impeller stem with the polished black graphite surface facing away from the impeller.
9. Carefully press the stationary ceramic portion of the seal into the recess of the pump housing/shroud, with the polished flat surface facing out.
10. Carefully insert the motor shaft through the pump housing/shroud and align with white ceramic stationary seal assembly in place and secure the motor to pump housing/shroud with four (4) motor through bolts removed in step #5. Be sure motor base and pump discharge port are positioned properly. Alternately tighten the motor through bolts until the pump housing is secure. Make certain motor shaft turns freely before proceeding then re-attach motor fan cover.
11. Screw the impeller (clockwise) with the rotating portion of seal in place onto the motor shaft. Hand-tighten the impeller in place.
12. Clean (replace if necessary) the O-ring and replace on pump cover. Assemble the pump strainer housing (#4) AND diffuser (#7) to the pump housing with the seven (7) screws removed in step #2. Tighten screws alternately and evenly.
13. Reconnect pump to the piping or hoses provided. Open all valves and make sure that the pump strainer housing is full of water before restarting the pump.

7. Troubleshooting



WARNING

Diagnosing certain symptoms may require close interaction with, or in close proximity to, components that are energized with electricity. Contact with electricity can cause death, personal injury, or property damage. When trouble shooting the pump, diagnostics involving electricity should be cared for by a licensed professional.

Problem	Possible Cause	Corrective Action
Pump failure.	Pump will not prime - Air leak, too much air.	Check suction piping and valve glands on any suction gate valves. Secure lid on pump strainer pot and be sure lid gasket is in place. Check water level to be sure skimmer is not drawing air.
	Pump will not prime - Not enough water.	Be sure the suction lines, pump, strainer, and pump volute are full of water. Be sure valve on suction line is working and open (some systems do not have valves). Check water level to make sure water is available through skimmer.
	Pump stainer gasket is clogged.	Clean pump strainer pot.
	Pump strainer gasket is defective.	Replace gasket.
Reduced capacity and/or head.	Air pockets or leaks in suction line.	Check suction piping and valve glands on any suction gate valves. Secure lid on pump strainer pot and be sure lid gasket is in place. Check water level to be sure skimmer is not drawing air.
	Clogged impeller.	Turn off electrical power to the pump. Disassemble (see page 13, '6.1. Shaft Seal Change Procedure') Clean debris from impeller. If debris cannot be removed, complete the following steps: 1. Remove left hand thread anti-spin bolt and o-ring. 2. Remove, clean, and reinstall impeller. Reassemble (see page 13, '6.1. Shaft Seal Change Procedure'). Clean suction trap.
	Pump strainer clogged.	
Pump fails to start.	Mains Voltage is not present.	1. Replace fuse, reset breaker/GFCI. 2. Tighten mains wire connections.
	Pump shaft is locked.	Check if the pump can be rotated by hand and remove any blockage.
	Pump shaft is damaged.	Replace pump.
Pump runs then stops.	Over temperature FAULT.	Check that back of pump is free from dirt and debris. Use compressed air to clean.
	Over current FAULT.	Pump will automatically restart after one (1) minute.
Pump is noisy.	Debris in contact with fan.	Check that back of pump is free from dirt and debris. Use compressed air to clean.
	Debris in strainer basket.	Clean strainer basket.
	Loose mounting.	Check that mounting bolts of pump and pump are tight.

Problem	Possible Cause	Corrective Action
Pump runs without flow.	Impeller is loose.	Check that pump is spinning by looking at fan on back of Variable Speed Pump. If so, check that pump impeller is correctly installed.
	Air leak.	Check plumbing connections and verify they are tight.
	Clogged or restricted plumbing.	Check for blockage in strainer or suction side piping. Check for blockage in discharge piping including partially closed valve or dirty pool filter.

7.1 Errors and Alarms

If an alarm is triggered the drive's LCD screen will display the fault code text and the Variable Speed Pump will stop running. Disconnect power to the pump and wait until the keypad LEDs have all turned off. At this point, reconnect power to the pump. If the error has not cleared then proper troubleshooting will be required. Use the error description table below to begin troubleshooting.

Fault Code	Description	Fault Code	Description
E-01	Inverter unit protection	E-10	Inverter overload
E-02	Acceleration over current	E-11	Phase loss at input side
E-03	Deceleration over current	E-12	Phase failure at output side
E-04	Constant speed over current	E-14	Module overheating
E-05	Acceleration over voltage	E-16	Communication fault
E-06	Deceleration over voltage	E-17	Current detection fault
E-07	Constant speed over voltage	E-24	Inverter hardware fault
E-08	Under voltage fault		
E-09	Motor overload		

E-16--Communication Link between the HMI and Motor control has been lost: Check the jacketed wire on the back side of the keypad inside the drive top cover. Ensure that the 5 pin connector is properly plugged into the socket and that there is no damage to the cable.

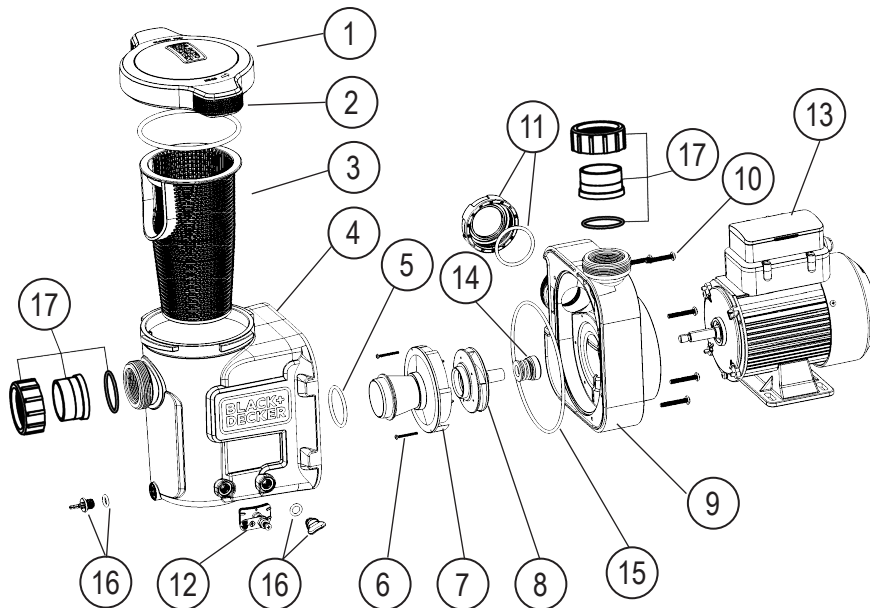
E-01,02,03,04,05,06,07,09,10,24--Internal Errors: If this error displays multiple times, then there may be a problem with the pump's rotating assembly. Please disassemble the pump and investigate to see if there is a problem with the impeller or mechanical seal. See page 13, '6.1 Shaft Seal Change Procedure' for instructions for disassembling the pump.

E-08--Absolute AC Under Voltage Detected: This indicates that the supply voltage has dropped below the operating range of 95v. This could be caused by normal voltage variation and will clear itself. Otherwise there could be excess voltage sag caused by improper installation or improper supply voltage.

E-14-- Module overheating: Should be caused by high ambient temperature or overload.

8. Replacement Parts

Figure 8-1



Ref. No.	Part No.	Description	Qty.
1	BDXBTVAR-1	Strainer Cover Kit	1
2	BDXBTVAR-2	Cover O-ring	1
3	BDXBTVAR-3	Basket	1
4	BDXBTAGVAR-4	Strainer Housing	1
5	BDXBTAGVAR-5	Diffuser O-ring	1
6	BDXBTAGVAR-6	Diffuser Screws (2pcs)	1
7	BDXBTAGVAR-7	Diffuser	1
8	BDXBTAGVAR-8	Impeller for BDXBTAGVAR	1
9	BDXBTAGVAR-9	Pump Housing	1
10	BDXBTAGVAR-10	Housing Bolt Kit (8pcs)	1
11	BDXBTAGVAR-11	Cap Plug with O-ring	1
12	BDXBTAGVAR-12	Bonding Device	1
13	BDXBTAGVAR-13	Motor VSM10FR	1
14	BDXBTAGVAR-14	Seal Assembly	1
15	BDXBTAGVAR-15	Strainer Housing O-ring	1
16	BDXBTVAR-20	Drain Plug with O-ring 2pcs	1
17	BDXBTAGVAR-17	Union Connector Kit (Tailpiece 1.5")	1

9. Limited Warranty

Service Information

The Pump Service Center is staffed with trained personnel to provide customers with efficient and reliable pool service. Whether you need technical advice, repair, or genuine factory replacement parts, contact the Pump Service Center. Call: (516) 796-2425 or contact service@blackanddecker-pool.com or warranty@blackanddecker-pool.com.

Blue Torrent Pool Products Limited Warranty

Limited Three-Year Warranty

Blue Torrent Pool products warrants this product to be free from defects in material or workmanship for a period of three (3) years following the date of purchase.

This limited warranty does not cover failures due to abuse, accidental damage, or when repairs have been made or attempted by anyone other than the authorized Pump Service Centers.

A defective product meeting the guarantee conditions set forth herein will be replaced or repaired at no charge in either of two ways:

The first, which will result in exchanges only, is to return the product to the retailer from whom it was purchased (provided that the store is a participating retailer). Returns should be made within the time period of the retailer's policy for exchanges. Proof of purchase may be required.

Please check with the retailer for its specific return policy regarding time limits for returns or exchanges.

The second option is to take or send the product (prepaid) to the authorized Pump Service Center for repair or replacement. Proof of purchase may be required.

Pump Service Center
(516) 796-2425
1075 Hicksville Road
Seaford, NY 11783 USA
service@blackanddecker-pool.com
warranty@blackanddecker-pool.com

This limited warranty constitutes the entire warranty. No other warranties apply, expressed or implied. This warranty gives you specific legal rights and you may have other rights which vary from state to state. Should you have any questions, contact the manager of the Pump Service Center.

LATIN AMERICA: This warranty does not apply to products sold in Latin America. For products sold in Latin America, check country-specific warranty information contained in the packaging, call the local company, or see the website for such information.

FREE WARNING LABEL REPLACEMENT: If your warning labels become illegible or are missing, call (516) 796-2425 for a free replacement.

Manufactured by Blue Torrent Pool Products
444 E 81ST ST
NEW YORK, NY 10028-5859

BLACK & DECKER, BLACK+DECKER, the BLACK & DECKER and BLACK+DECKER logos and product names and the orange and black color scheme are trademarks of The Black & Decker Corporation, used under license. All rights reserved.

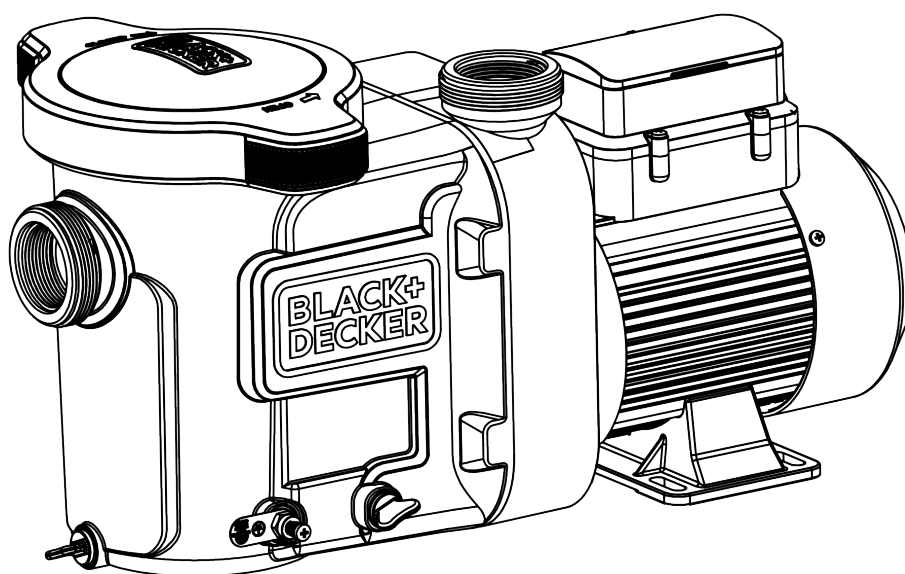
Patents/Protege/Patentes: www.blackanddecker.com/patents

© Copyright

BLACK+ DECKER

MANUAL DE INSTRUCCIONES
PARA BOMBAS DE VELOCIDAD VARIABLE

NÚMEROS DE CATÁLOGO
BDXBTAGVAR



Por favor lea este manual antes de devolver este producto por cualquier razón.

TABLA DE CONTENIDOS

<p>1.Instrucciones Importantes de Seguridad 3-4</p> <p>2.Información General 5</p> <p>2.1 Introducción5</p> <p>2.2 Descripción de la Bomba5</p> <p>2.3 Descripción del Control5</p> <p>2.4 Dimensión de la Bomba6</p> <p>2.5 Especificaciones del Producto6</p> <p>2.6 Curvas del Rendimiento de la Bomba 6</p> <p>2.7 Contenidos del Producto7</p> <p>3.Instalación y Cableado 7</p> <p>3.1 Guía de Preparación7</p> <p>3.2 Localización de la Bomba7</p> <p>3.3 Plomería 8</p> <p>3.4 Eléctrico8</p> <p>3.5 Especificaciones Eléctricas9</p> <p>3.6 Voltaje9</p> <p>3.7 Conexiones y Conexión a Tierra9</p> <p>3.8 Cableado9</p>	<p>3.9 Descripción del Panel de Control10</p> <p>3.10 Modo de Ahorro de Energía de la Pantalla 11</p> <p>3.11 Apagar la Bomba11</p> <p>3.12 Programacion de la Velocidad y el Tiempo de Cebado11</p> <p>3.13 Para Cambiar La Configuracion de Velocidades Predeterminadas de Factoria11</p> <p>3.14 Programacion de Bloqueo del Teclado 11</p> <p>3.15 Recuperar la Configuracion de Velocidad Predeterminadas de Factoria 11</p> <p>4.Mantenimiento 12</p> <p>5. Almacenaje/Preparacion para el Invierno 12</p> <p>5.1 Almacenaje de la Bomba Durante el Invierno 12</p> <p>6. Instrucciones para Cambiar los Sellados del Eje ... 12</p> <p>6.1 Procedimientos para Cambiar el Sellado del Eje 13</p> <p>7.Diagnóstico de Averías 14</p> <p>7.1 Errores y Alarmas 15</p> <p>8.Piezas de Reemplazo 16</p> <p>9.Garantía Limitada17</p>
--	--

REGISTRO DE INFORMACIÓN DEL APARATO

FECHA DE INSTALACIÓN _____

INFORMACIÓN DEL INSTALADOR _____

LECTURA DE LA PRESIÓN INICIAL DEL MEDIDOR PUMP _____

POTENCIA DEL MODELO DE LA BOMBA _____

NOTAS: _____

Definiciones: Símbolos y Palabras de Alerta de Seguridad

Este manual de instrucciones utiliza los siguientes símbolos y palabras de alerta de seguridad para notificarte acerca de situaciones peligrosas que pueden ponerlo en riesgo un daño personal o de daño a su propiedad.

- ⚠ PELIGRO:** Indica que existe una situación de peligro inminente la cual, si no se evita, **va a causar la muerte o una lesión severa.**
 - ⚠ ADVERTENCIA:** Indica que existe una situación potencialmente peligrosa la cual, si no se evita, **puede dar como resultado la muerte o una lesión severa.**
 - ⚠ CUIDADO:** Indica que existe una situación potencialmente peligrosa en la cual, si no se evita, **podría tener como consecuencia una lesión leve o moderada.**
 - ⚠ (Usado sin palabras):** Indica que hay un mensaje relacionado con la seguridad.
- AVISO:** Indica que existe una práctica que **no está relacionada con un daño personal** la cual, si no se evita, **puede que dé como resultado un daño a la propiedad.**

1. Instrucciones Importantes de Seguridad

Cuando esté usando aparatos electrodomésticos, debe siempre seguir ciertas precauciones básicas, incluyendo las siguientes: LEA TODAS ESTAS INSTRUCCIONES ANTES DE UTILIZAR EL APARATO.

- ⚠ ADVERTENCIA:** Lea todas las instrucciones y todas las advertencias de seguridad. Si no cumple con todas las advertencias e instrucciones mencionadas aquí, puede que sufra una descarga eléctrica, fuego y/ o una lesión severa.
- ⚠ ADVERTENCIA:** Para reducir el riesgo de una lesión, no permita que los niños utilicen o trepen sobre este producto.
- ⚠ ADVERTENCIA:** Una instalación inapropiada puede crear una amenaza eléctrica, la cual puede resultar en la muerte o en una lesión severa a aquellos que utilicen la piscina, los instaladores y demás, debido a una descarga eléctrica. También puede causar daño a la propiedad.
- ⚠ ADVERTENCIA: RIESGO DE DESCARGA ELÉCTRICA.**

1. Esta bomba es SOLO para utilizarla con 115 Vrms nominal y para aplicaciones relacionadas con bombas para piscinas. Si se conecta a un voltaje incorrecto o se utiliza en otras aplicaciones, puede causar un daño al aparato y una lesión personal.
2. Siempre desconecte la bomba para piscinas en el interruptor de circuitos directamente antes del mantenimiento de la bomba. Si no cumple con esto, puede dar como resultado la muerte o una lesión severa a los empleados, aquellos que usen la piscina y demás debido a una descarga eléctrica.
3. Todo el cableado eléctrico DEBE estar en conformidad con los códigos locales aplicables, las regulaciones, y el Código Eléctrico Nacional® (NEC® por sus siglas en inglés).
4. Para reducir el riesgo de una descarga eléctrica, reemplace cualquier cable que esté dañado inmediatamente.

⚠ADVERTENCIA: RIESGO DE PELIGRO DE ATRAPAMIENTO

Las bombas para piscinas y spas producen niveles altos de succión, los cuales pueden presentar un peligro extremo si una persona está a una proximidad cercana a un drenaje de piscina o spas abierto o si la tapa del drenaje está floja, rota, quebrada o se ha perdido:



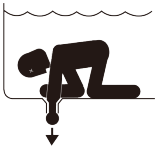
Atrapamiento de Cabello: El cabello puede enredarse en la cubierta de salida de succión.



Atrapamiento de Succión Física: Una presión diferencial aplicada a una porción más grande del cuerpo o las extremidades puede resultar en un atrapamiento.



Destripamiento: Una presión negativa aplicada directamente a los intestinos a través de una salida de succión que no está protegida o una cubierta de salida de succión que este dañada, rota, quebrada, o que no esté en su lugar o no esté asegurada, puede resultar en el destripamiento o evisceración.



Atrapamiento Mecánico: Existe la probabilidad de que prendas, trajes de baños, decoraciones de cabello, dedos o nudillos se atrapen en la apertura de la cubierta de salida de succión, resultando en un atrapamiento mecánico.

⚠ADVERTENCIA:

1. Cuando los tomacorrientes son pequeños para ser bloqueados por una persona, se necesita instalar un mínimo de dos tomacorrientes de succión activos por bomba. Los tomacorrientes de succión que estén en el mismo plano, (por ejemplo, el piso o una pared) deben de ser instalados a un mínimo de tres pies (3') [0.91 metros] de distancia, medidos desde el punto más cercano hasta el punto más cercano.
2. Los accesorios de succión doble deben estar localizados en tales localidades y distancias para evitar un bloqueo doble por un usuario.
3. Los accesorios de succión doble no deben estar localizados en áreas donde hay asientos o en el espaldar del asiento.
4. Si no se mantienen los componentes de los tomacorrientes de succión limpios de desechos, tales como hojas, polvo, cabello, papel y otro material, puede incrementar la probabilidad de un atrapamiento.
5. Se recomienda la instalación de una liberación de vacío o de un sistema de ventilación, el cual libera la succión que ha sido atrapada.

⚠ADVERTENCIA: RIESGO DE PELIGRO DE PRESIÓN

1. Cuando se está examinando la presión de un sistema con agua, el aire usualmente se queda atrapado en el sistema durante el proceso de llenado. Este aire se va a comprimir cuando el sistema esté presionado. Si el sistema falla, este aire atrapado puede expulsar desechos a una velocidad rápida y causar una lesión. Debe de tomar todas las medidas necesarias para remover el aire que está atrapado, incluyendo la apertura de la válvula de descarga en el filtro y aflojar la cubierta del prefiltro de la bomba.
2. El aire atrapado en el sistema puede provocar que la cubierta del filtro se salga rápidamente y puede resultar como consecuencia la muerte, lesiones severas o daños a la propiedad. Asegúrese de que todo el aire haya salido del sistema antes de operarlo.
3. NO UTILICE AIRE COMPRIMIDO PARA UNA EXAMINAR LA PRESIÓN O VERIFICAR POR FUGAS.

AVISO: ¡No inicie la bomba si no tiene agua! Cuando se inicia la bomba sin agua por cualquier cantidad de tiempo resulta en un daño severo a la bomba y hace que la garantía sea anulada.

GUARDE ESTAS INSTRUCCIONES

2. Información General

2.1 Introducción

Este manual contiene información para la instalación y operación correcta de la familia de bombas de velocidad variable Black & Decker. Las instrucciones de este manual DEBEN ser seguidas de manera precisa. Las Bombas de Velocidad Variable Black & Decker tienen un rango de 450 RPM a 3450 RPM. Esto le permite seleccionar la velocidad que sea más apropiada para su aplicación.

2.2 Descripción de la Bomba

La opción perfecta para cualquier tipo de piscina, la Bomba de Velocidad Variable fue diseñada específicamente para ser su mejor opción sin importar el tipo de piscinas en el suelo que tenga. Las piezas de paredes gruesas, el potente motor TEFC y las hidráulicas de alta ingeniería, hacen de este diseño robusto y comprobado perfecto para cualquier piscina, spa, accesorio acuático o fuente.

2.3 Descripción del Control

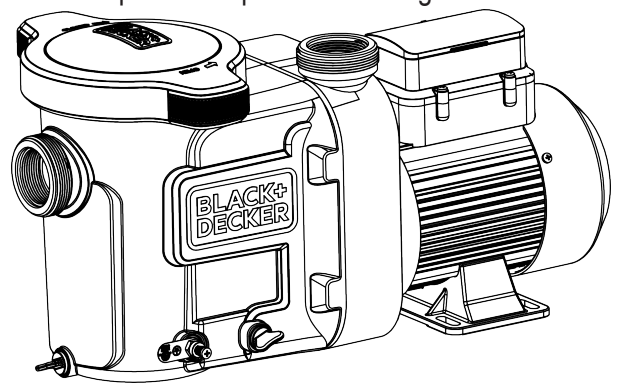
La Bomba de Velocidad Variable utiliza un motor de velocidad variable con una eficiencia excepcional que provee una gran flexibilidad de programación en términos de velocidad del motor y de las configuraciones de duración. La bomba está destinada a funcionar en las velocidades más bajas cuando se necesita mantener un ambiente sanitario, lo cual minimiza el consumo de energía. El tamaño de la piscina, la presencia de otros elementos acuáticos, los productos químicos utilizados para mantener condiciones sanitarias y los factores locales ambientales van a impactar la programación óptima necesaria para maximizar la conservación de energía.

La interfaz integrada de electrónicos controla las configuraciones de velocidad así como también la duración del funcionamiento. La bomba puede operar en velocidades entre 1000 y 3450 RPM y va a operar dentro del rango de voltaje de 115 Vrms a una frecuencia de entrada de 50 o 60Hz. La customización del programa puede requerir algo de prueba y error para determinar cuáles son las configuraciones más satisfactorias de acuerdo a ciertas condiciones. En la mayoría de los casos, la mejor estrategia para minimizar el consumo de energía es configurar la bomba a la velocidad más lenta posible para la mayor duración. Sin embargo, ciertas condiciones pueden requerir que se configure la bomba a una velocidad más alta por poca duración durante cierto tiempo para mantener la correcta filtración y así obtener una sanitización satisfactoria.

Nota: Optimice la bomba de acuerdo a las condiciones de cada piscina en particular. Ciertas condiciones incluyen el tamaño de la piscina, otros equipos, accesorios y factores ambientales pueden impactar las configuraciones óptimas.

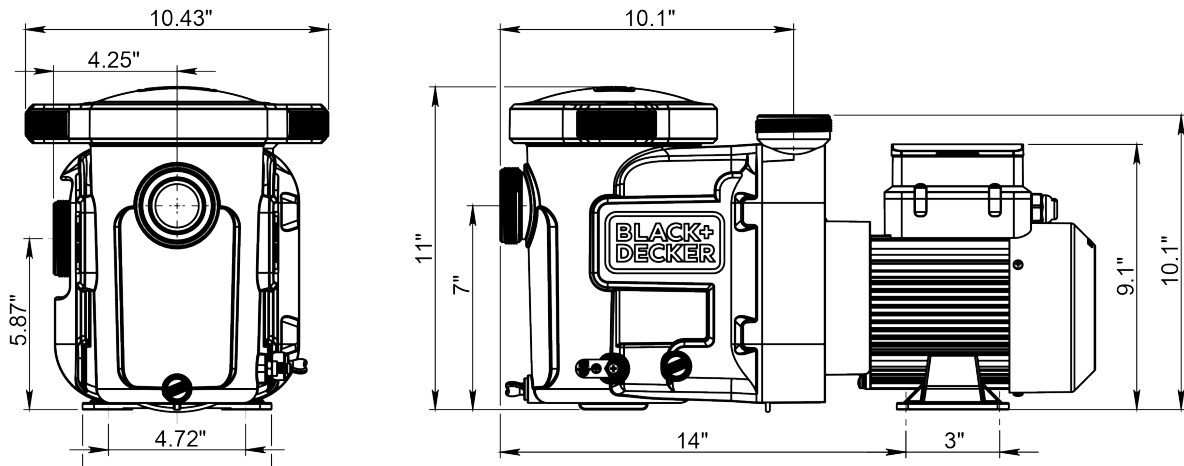
Características Generales

- Completamente encerrada, motor magnético permanente
- Diseño hidráulico avanzado
- Programable con 3 velocidades personalizadas
- Para un mejor mantenimiento de la piscina, puede ser controlada por plataformas de otras piscinas y spas
- Motor de propulsión incluye una protección integrada para temperaturas altas y las fluctuaciones en el voltaje



2.4 Dimensión de la Bomba

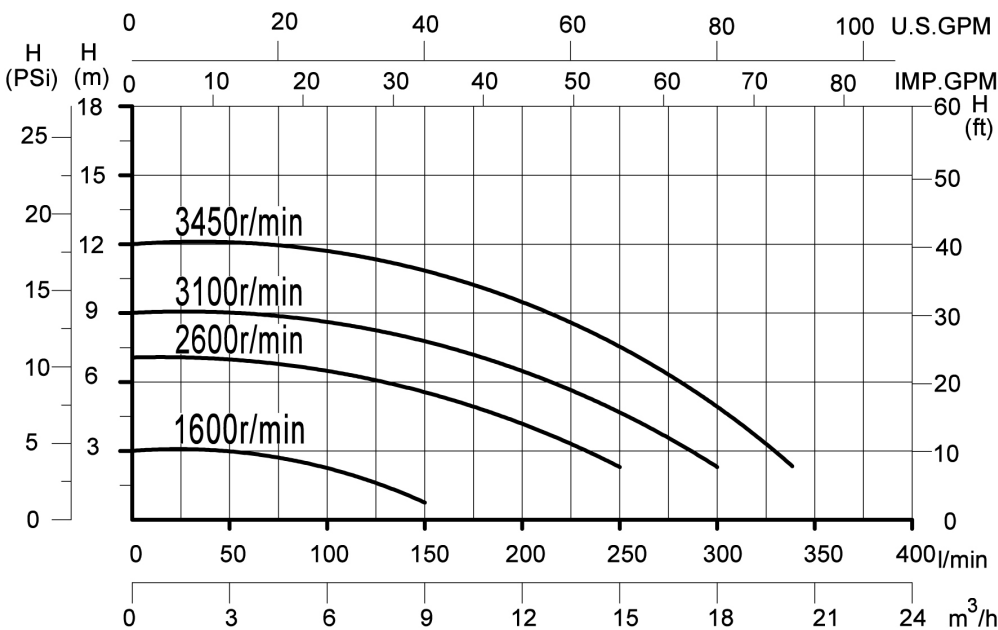
Nota: Cuando instale la bomba, deje un mínimo de un (1) pie (30 cm) de distancia sobre la bomba para remover la canasta de drenaje.



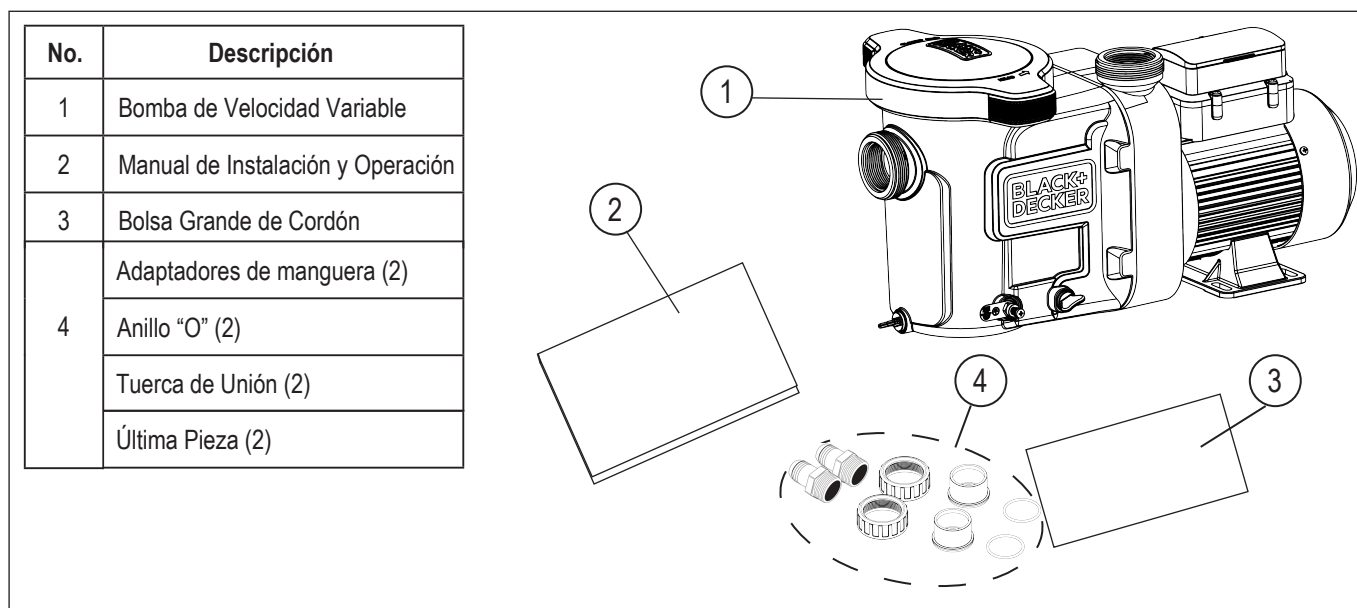
2.5 Especificaciones del Producto

No. de Modelo	HP	Voltaje	Frecuencia de Entrada	Máx. Watts	Amps	Rango de Velocidad	Tamaño de la Unión	Peso
BDXBTAGVAR	1.5	115 VAC	50/60HZ	900 W	11	1000-3450	1.5" x 1.5"	10.5Kg(23lb)

2.6 Curvas del Rendimiento de la Bomba



2.7 Contenidos del Producto



3. Instalación y Cableado

3.1 Guía de Preparación

Una vez que reciba su bomba, revise la caja para confirmar que no hay daños. Abra la caja y revise la bomba por daños ocultos como grietas, hendiduras o una base doblada. Si encuentra daños, contacte al transportista o al distribuidor de quien compró la bomba.

Inspeccione los contenidos del paquete y verifique que todas las partes están incluidas. Vea la sección 2.7 Contenidos del Producto.

3.2 Localización de la Bomba

La bomba Sobre el Suelo de Black & Decker DEBE ser instalada por debajo de la línea del agua de la piscina.

Ponga la bomba sobre una fundación sólida, la cual provee un apoyo rígido y sin vibraciones, de modo que esté disponible fácilmente para el mantenimiento de la bomba.

Instale la bomba en un lugar bien ventilado, protegida de la luz del sol directa y de la humedad excesiva.

Proteja la bomba de las inundaciones y no permita que los objetos extraños obstruyan la circulación del aire alrededor del motor. Todos los motores generan calor, el cual debe ser removido al proveer una ventilación apropiada.

3.3 Plomería

Cuando conecte la plomería a la bomba con los puertos roscados, le recomendamos que utilice una cinta adhesiva para sellar. Las tuberías fijas deben tener conexiones de soldadura solvente apropiadas. Las conexiones flexibles de la manguera deben estar ajustadas correctamente. Si la línea de succión no está sellada correctamente, la bomba no va a cebar apropiadamente y solo bombeará pequeñas cantidades de agua o ninguna en lo absoluto.

Tuberías - Manguera Flexible, PVC o Manguera Reforzada son métodos de tubería aceptables.

Antes de iniciar la bomba por primera vez, remueva la tapa transparente. (Gire en dirección contraria al reloj para removerla). Llene el tanque del filtro con agua hasta que esté nivelada con la entrada de succión. Ponga la tapa de nuevo y ajústela para que no le entre aire. NO use ninguna herramienta para ajustar la tapa.

Para evitar tensión en la bomba, apoye la succión y el tomacorriente independientemente. Ponga apoyos cerca de la bomba. Para evitar una tensión resultante de un agujero durante la última conexión, conecte toda la tubería desde la bomba y corra las tuberías LEJOS de la bomba.



Para el tomacorriente de la bomba, use un tubo PVC de 1-1/2" o una manguera reforzada. Para la succión de la bomba en TODOS los modelos, use una manguera reforzada de 1-1/2". Incremente el tamaño si necesita una más larga. En el caso de que una tubería sea más grande que el puerto, use un conector reducido en el puerto del filtro.

NUNCA use una tubería de succión que sea MÁS PEQUEÑA que los conectores de succión de la bomba. La entrada de succión de la bomba debe estar más baja que el puerto de entrada de la bomba.

Use la menor cantidad posible de conectores. Cada conector adicional tiene el efecto de mover el equipo más y más lejos del agua.

3.4 Eléctrico

- Instale todo el equipo de acuerdo al Código Eléctrico Nacional y todos los códigos y ordenanzas locales aplicables.
- Debe incorporar un medio de desconexión en la cablería fija de acuerdo a las reglas de cablería.

	<p>RIESGO DE UNA DESCARGA ELÉCTRICA O DE ELECTROCUCIÓN. La Bomba de Velocidad Variable debe de ser instalada por un electricista o certificado o por un profesional de servicio calificado de acuerdo al Código Eléctrico Nacional y todos los códigos y ordenanzas locales aplicables. La instalación incorrecta de esta bomba puede crear un peligro eléctrico el cual podría resultar en la muerte o en una lesión severa a los usuarios, instaladores y demás debido a una descarga eléctrica. Además, puede causar daños a la propiedad.</p>
	<p>Siempre desconecte la bomba desde el interruptor antes de iniciar el mantenimiento. Si no hace esto, puede causar la muerte o una lesión severa a las personas, usuarios y demás debido a una descarga eléctrica y/o daños a la propiedad.</p>
<p>Lea todas las instrucciones de mantenimiento antes de empezar a trabajar con la bomba.</p>	

⚠️ ADVERTENCIA: Asegure y conecte a tierra la bomba antes de conectarla al suministro de electricidad. Si NO hace esto, puede causar un peligro serio de descarga eléctrica que puede ser fatal. NO conecte la bomba a una línea de suministro de gas. Para evitar una descarga eléctrica peligrosa o fatal, DESCONECTE la bomba antes de empezar a trabajar con los conectores eléctricos.

Peligro de Incendio - Combine el suministro de voltaje con el voltaje nominal de la bomba. Asegúrese de que el suministro de electricidad disponible va de acuerdo al voltaje, fase y ciclo de la bomba y que el tamaño del cable es adecuado para el valor nominal de amperios y la distancia de la fuente de energía. Utilice solamente conductores de cobre.

3.5 Especificaciones Eléctricas

Voltaje: 115VAC, 50/60Hz, Fase Singular

Rango de Velocidad: 1000 - 3450 rpm

Utilice solamente conductores de cobre. Para uso bajo techo y sin techo. Conecte la bomba a un circuito derivado de 15 amp de acuerdo con los códigos locales, las regulaciones y el Código Eléctrico Nacional (NEC). Debe tener un medio de desconexión de al menos 5 pies de distancia del muro interior de la piscina, el spa o el jacuzzi.

3.6 Voltaje

El voltaje en la bomba NO DEBE SER de más de 10% mayor o menor que el voltaje nominal. De lo contrario, los componentes pueden sobrecalentarse, causando un desenganche por sobrecarga y reduciendo la vida del componente. Si el voltaje es menor que el 90% (104VAC) o mayor que 110% (126VAC) del voltaje nominal (115VAC) cuando la bomba está corriendo a toda velocidad, consulte su compañía de electricidad.

3.7 Conexiones y Conexión a Tierra

Instale, asegure y conecte a tierra y a los cables la bomba de acuerdo con los requerimientos locales o del Código Nacional Eléctrico.

Permanentemente conecte la bomba a tierra. Use el terminal verde de tierra provisto bajo la placa de acceso. Use el tamaño y el tipo de cableado requerido por el código. Conecte la terminal a tierra al servicio eléctrico.

Conecte el motor usando la conexión externa incluida en el paquete.

Conecte la bomba a la estructura de la piscina. La unión conectará todas las partes metálicas dentro y alrededor de la piscina con un cableado continuo. La unión reduce el riesgo de una corriente pasando entre los objetos metálicos conectados, lo cual podría potencialmente causar una descarga eléctrica si se conecta a tierra o se corta. Revise los códigos del NEC para todos los estándares de cableado, incluyendo pero no limitándose a la conexión a tierra, la unión y los procedimientos de cableado general.

La estructura del motor debe estar conectada a tierra a un punto seguro en tierra, utilizando un conductor sólido de cobre número 8 AWG o más grande. En Canadá, No. 6 AWG o más grande. Si la bomba es instalada dentro de cinco (5) pies de distancia de la pared de la piscina, el spa o el jacuzzi.

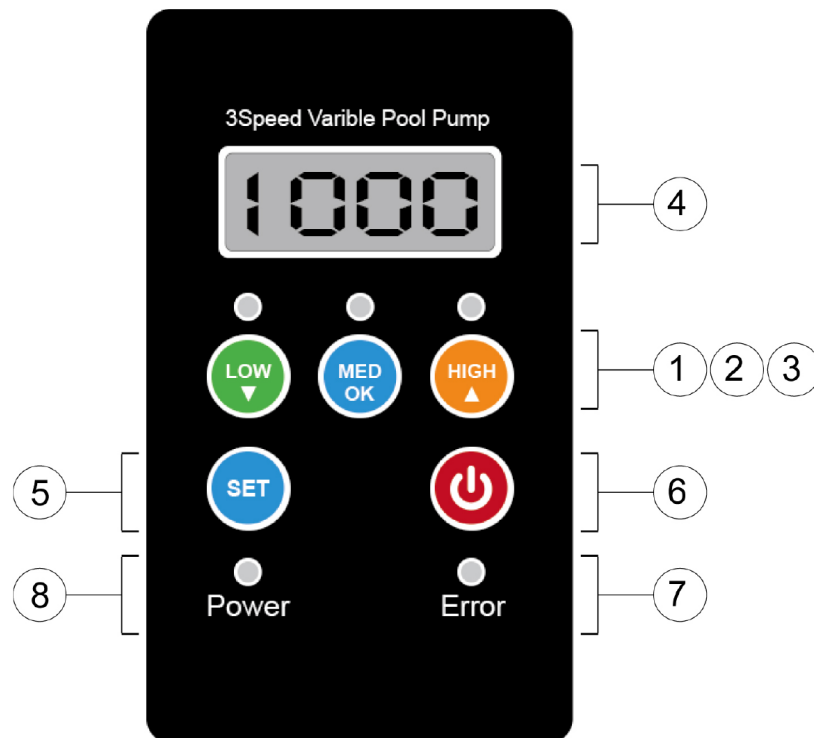
3.8 Cableado

⚠ ADVERTENCIA: Todo el cableado eléctrico DEBE estar en conformidad con los códigos y regulaciones locales y el Código Eléctrico Nacional (NEC).

La bomba DEBE ESTAR permanentemente conectada al circuito. Si otras luces o electrodomésticos están en el mismo circuito, asegúrese de añadir sus descargas de amperio antes de calcular los tamaños del cable y del interruptor. Utilice el interruptor como el botón principal de encendido y apagado.

Tamaño de Cables Recomendado			
Distancia del Panel Secundario	0 - 50 Pies	50 - 100 Pies	100 - 150 Pies
Voltaje	115 VAC		
Tamaño Mínimo del Cable (AWG)	12	10	8

3.9 Descripción del Panel de Control



⚠ CUIDADO

Si el motor de la Bomba de Velocidad Variable está conectado, puede que el motor se encienda si presiona cualquiera de estos botones. Si no reconoce esto, puede resultar en una lesión física o en daños al equipo.

Navegación del Teclado

1. **Botón “LOW/ ▼”:** Se utiliza para seleccionar la velocidad MÁS BAJA fija o para disminuir la velocidad mientras está en modo de programación.
2. **Botón “MED/OK”:** Se utiliza para seleccionar la velocidad MEDIA fija o para confirmar/guardar los parámetros mientras está en modo de programación.
3. **Botón “HIGH/ ▲”:** Se utiliza para seleccionar la velocidad MÁS ALTA fija o para disminuir la velocidad mientras está en modo de programación.
4. **Ventana de pantalla LED:** Muestra la velocidad actual del motor o un mensaje de un código de error.
5. **Botón “SET”:** Se utiliza para ingresar el modo de programación o reiniciar el control.
6. **Botón “ON/OFF” ⏻:** Se utiliza para DETENER el motor.
7. **Luz de Error:** Se enciende cuando se ha detectado una falla.
8. **Luz de Encendido:** Se enciende cuando el motor está encendido.

Encender la Bomba

Para encender la bomba, presione el botón “1”, “2” o “3” para seleccionar la velocidad fija predeterminada. Si la bomba se inicia desde el modo de espera, se enciende y subsecuentemente corre en la velocidad fija seleccionada. Las configuraciones de velocidades predeterminadas son:

Velocidad 1 = 1600 rpm

Velocidad 2 = 2600 rpm

Velocidad 3 = 3450 rpm

La bomba automáticamente cambia de la velocidad “3” seleccionada a la velocidad “1” después de 2 horas de haber estado encendida.

La bomba automáticamente cambia de la velocidad “2” seleccionada a la velocidad “1” después de 24 horas de haber estado encendida.

3.10 Modo de Ahorro de Energía de la Pantalla

La pantalla LED se apaga luego de **3** minutos si no detecta una acción del teclado.

3.11 Apagar la Bomba

Si la bomba se detiene normalmente al presionar el botón de **“ON/OFF ⏻”**, la luz de **“ENERGÍA”** se encenderá y la ventana de pantalla LED mostrará **“OFF”**. Si la bomba se detiene porque ha detectado una falla, la luz de **“ENERGÍA”** va a parpadear y la ventana de la pantalla LED mostrará un número de código de error. Haga referencia a la tabla de código de error para el número de código de error que muestra la pantalla y la descripción de la falla detectada.

3.12 Programación de la Velocidad y el Tiempo de Cebado

La bomba tiene sus configuraciones predeterminadas desde la factoría con un ciclo de cebado de **3450** RPM por **2** minutos. Los siguientes pasos enseñan como cambiar estos parámetros:

1. Con la bomba conectada, presione el botón de **“ON/OFF ⏻”**. Esto va a detener la bomba, si está corriendo y la pantalla LED mostrará **“OFF”**.
2. Mantenga presionado el botón **“SET”** por **3** segundos. El nivel de energía para el cebado debería empezar a parpadear en la ventana LED.
3. Presione el botón **“LOW/▼”** para disminuir la velocidad o el botón **“HIGH/▲”** para incrementar la velocidad. La velocidad disminuye o incrementa en **50** rpm.
4. Presione el botón de **“OK”** para guardar la configuración de nivel de energía para el cebado. El tiempo de cebado empezará a parpadear en la pantalla LED. Para cancelar y regresar al modo anterior, presione el botón de **“SET”**.
5. Presione el botón **“LOW/▼”** para disminuir el tiempo o el botón **“HIGH/▲”** para incrementar el tiempo en incrementos de **1** minuto. El periodo de tiempo para el cebado va de **0** a **10** minutos. Para cancelar sin cambiar el tiempo para el cebado, presione el botón de **“SET”**.
6. Presione el botón de **“OK”** para guardar la configuración del tiempo para el cebado y salir de la secuencia de programación.

NOTA: Si determina el tiempo para el cebado a **0** minutos, el ciclo de cebado se desactivara.

3.13 Para Cambiar La Configuración de Velocidades Predeterminadas de Factoría

Presione el botón **“1”**, **“2”** o **“3”** para la velocidad predeterminada que quiere cambiar. La ventana LED demuestra la velocidad actual, entonces mantenga presionado el botón de **“SET”** por al menos **3** segundos hasta que la velocidad que se muestra en la pantalla LED empiece a parpadear. Cuando esto suceda, puede cambiar la velocidad utilizando los botones **“LOW/▼”** o **“HIGH/▲”**. La velocidad disminuye o incrementa en **50** rpm. La velocidad límite más alta es de **3450** rpm y la velocidad límite más baja es de **1000** rpm. Para guardar la velocidad determinada, confirme con el botón de **“OK”**. Para cancelar y regresar a la velocidad original, presione el botón de **“SET”**.

3.14 Programación de Bloqueo del Teclado

La programación del teclado puede ser bloqueada para la seguridad de evitar que se hagan cambios no autorizados. La función de bloqueo se inicia al presionar el botón de **“ON/OFF ⏻”** y **“SET”** al mismo tiempo. Una vez que la función de bloqueo de seguridad es activada, la pantalla mostrará un punto **“.”** en el lado derecho de la ventana LED. Para desbloquear la función de seguridad, repita la misma operación.

3.15 Recuperar la Configuración de Velocidad Predeterminadas de Factoría

El motor puede reiniciar a la configuración de velocidad predeterminada al mantener el botón **“SET”** presionado por al menos **15** segundos y luego dejar de presionarlo. Las tres LED de las velocidades fijas y la LED de **“ENERGÍA”** se encenderán.

4. Mantenimiento

Esta bomba requiere de poco o ningún servicio más que de un cuidado razonable y una limpieza periódica de la canasta del filtro. NO sacuda la canasta para limpiarla. Cuando esté limpiando la canasta, revise si el anillo "O" está dañado y reemplácelo si es necesario.

Las bombas tienen rodamientos del motor y sellados del eje que se lubrican por si solos. No se necesita una lubricación.

Mantenga el motor limpio. Asegure que el ventilador de aire del motor no tenga ninguna obstrucción para evitar daños. NO use agua para limpiar el motor.

El sello mecánico puede aflojarse o desgastarse con el tiempo, dependiendo del tiempo en el que la bomba está corriendo y la calidad del agua. Si el agua continúa derramándose, necesita un sello mecánico nuevo. Después de periodos largos sin estar operando (almacenaje estacional, etc.) debe revisar la bomba y chequear que la rotación sea fácil mientras está apagada. Ocasionalmente, los sellados del eje deben ser reemplazados debido al desgaste o si están dañados. Reemplace con un paquete genuino de montaje para sellados. Revise las instrucciones detalladas para remover y reemplazar el sellado mecánico en la página 12. Vea "6. Instrucciones para el Cambio de Sellados del Eje" en este manual.

5. Almacenaje/Preparación para el Invierno

AVISO: La bomba debe estar protegida cuando se esperan condiciones de congelamiento. Si deja que la bomba se congele, esto causará un daño severo a la bomba y anulará la garantía.

⚠ ADVERTENCIA: Para evitar un peligro severo de una descarga eléctrica fatal, DESCONECTE el motor antes de drenar la bomba. Si no hace esto, puede resultar en una lesión personal seria o la muerte.

Drene toda el agua de la bomba y de la plomería cuando se esperan temperaturas de congelamiento o cuando vaya a guardar la bomba por un largo tiempo (vea las instrucciones aquí debajo). Drene el sistema por gravedad lo más que pueda.

Mantenga el motor seco y cubierto durante el almacenaje. Para evitar problemas de condensación o corrosión, NO cubra o envuelva la bomba con capas o bolsas de plástico.

5.1 Almacenaje de la Bomba Durante el Invierno

1. Drene todo el nivel del agua por debajo de todas las entradas a la piscina.
2. Remueva todos los tapones de drenaje y la cubierta del filtro del alojamiento del filtro. (Vea el "Diagrama de las Partes" en la sección 8.0 de este manual para la localización de los componentes de la bomba).
3. Desconecte la bomba de la base de montaje, el cableado (luego de que haya desconectado la bomba) y las tuberías.
4. Una vez que la bomba haya sido drenada de toda el agua, reinstale la cubierta del filtro y los tapones de drenaje. Guarde la bomba en un área seca.

6. Instrucciones para Cambiar los Sellados del Eje

INSTRUCCIONES IMPORTANTES DE SEGURIDAD POR FAVOR LEA Y SIGA TODAS LAS INSTRUCCIONES

El Código Eléctrico Nacional requiere, ya sea un cable de máximo de 3 pies de bloqueo giratorio protegido con un contenedor GFCI o una conexión de alambre duro (conducto) para la instalación de la bomba para piscinas de nadar. Cuando se está dando mantenimiento al equipo eléctrico, se necesitan observar las precauciones básicas de seguridad, incluyendo las siguientes. Si no se cumple con esto, puede resultar en una lesión.

⚠ ADVERTENCIA:

1. Para reducir el riesgo de injurias, no permita que los niños y niñas usen este producto.
2. Desconecte la electricidad de la bomba antes de iniciar con el reemplazo del sellado del eje.

- Solamente un personal calificado puede reemplazar un sellado rotatorio. Contacte a su distribuidor local autorizado o a un centro de servicios si tiene alguna pregunta.
- No use un cable de extensión.

Tome la Figura 8-1 como referencia para la localización de los componentes de la bomba. Tenga mucho cuidado al manejar las secciones rotatorias y estacionarias en el reemplazo doble del sellado. Cualquier material extraño o el manejo inapropiado puede fácilmente raspar el grafito y las superficies de sellado de cerámica.

6.1 Procedimientos para Cambiar el Sellado del Eje

- Detenga el flujo del agua que va hacia la bomba al cerrar las válvulas apropiadas o al conectar el puerto de salida del filtro y el puerto de retorno a la piscina. Desconecte las tuberías o mangueras del montaje del motor/bomba.
- Desatornille siete (7) tornillos (#10) y remueva la carcasa del filtro (#4) Y el difusor (#7), exponiendo el impulsor.
- Gire el impulsor en una dirección en contra del reloj y remuévalo del eje del motor.
- Observe como la sección del resorte de acero del antiguo sello esta posicionado en el centro del impulsor y remuévalo al halarlo del impulsor.
- Remueva la cubierta del ventilador del motor. Después afloje cuatro (4) tornillos del motor de la parte trasera del motor y remueva la carcasa/cubierta de la bomba de la parte posterior del motor.
- Remueva la porción estacionaria de cerámica del antiguo sello al presionar el asiento de cerámica blanco hacia afuera del hueco de la carcasa de la bomba. Si el montaje está apretado, de pequeños golpecitos al lado del motor.
- Limpie y lubrique el eje del impulsor y el hueco de la carcasa de la bomba con una solución diluida de un jabón líquido sin gránulos. No use lubricantes de petróleo o silicona, ya que estos pueden contribuir a una gotera en el sellado.
- Presione la nueva porción rotatoria del montaje del sellado hacia el eje del impulsor con la superficie pulida de grafito negro hacia afuera del impulsor.
- Con cuidado, presione la porción estacionaria de cerámica del sellado hacia el hueco de la carcasa/cubierta de la bomba con la parte plana pulida de la superficie hacia afuera.
- Con cuidado, inserte el eje del motor a través de la carcasa/cubierta de la bomba y alinee con el montaje de sellado blanco de cerámica estacionario en su lugar y asegure el motor a la carcasa/cubierta de la bomba con cuatro (4) tornillos del motor que fueron removidos en el paso #5. Asegúrese que la base del motor y el puerto de desagüe de la bomba están posicionados correctamente. Alternadamente, ajuste los tornillos del motor hasta que la carcasa de la bomba esté segura. Asegúrese de que el eje del motor gire libremente antes de proceder y luego, ponga la cubierta del ventilador.
- Apriete el impulsor (a dirección del reloj) con la porción rotatoria del sellado ajustada al eje del motor. Apriete con las manos el impulsor hasta que esté en su lugar.
- Limpie (o reemplace, si es necesario), el anillo "O" y reemplace la cubierta de la bomba. Monte la carcasa del filtro de la bomba (#4) Y el difusor (#7) a la carcasa de la bomba con los siete (7) tornillos que fueron removidos en el paso #2. Apriete los tornillos alternadamente y que queden igual.
- Reconecte la bomba a las tuberías o las mangueras provistas. Abra todas las válvulas y asegúrese de que la carcasa del filtro de la bomba esta llena de agua antes de reiniciar la bomba.

7. Diagnóstico de Averías



ADVERTENCIA El diagnóstico de ciertos síntomas puede requerir una cercana interacción y/o proximidad cercana a componentes energizados con electricidad. El contacto con la electricidad puede provocar la muerte, lesiones personales o daño a la propiedad. Cuando esté diagnosticando averías con la bomba, los diagnósticos que incluyan un involucramiento con electricidad deben de ser solucionados por un profesional certificado.

Problema	Posibles Causas	Medidas Correctivas
Fallo de bomba	La bomba está cebando - Fuga de aire, hay mucho aire.	Chequee la tubería de succión y las glándulas de la válvula en cada una de las compuertas de las válvulas de succión. Asegure la cubierta de la canasta de filtro de la bomba y asegúrese de que la canasta está en su lugar. Revise el nivel del agua para asegurarse de que el sumergidor no está jalando aire.
	La bomba no está cebando - no tiene suficiente agua.	Asegúrese de que las tuberías de succión, la bomba, el filtro, y la voluta de la bomba estén llenas de agua. Asegúrese de que la válvula en el tubo de succión está trabajando y está abierta (algunos sistemas no tienen válvulas). Revise el nivel del agua para asegurarse de que el agua está saliendo por el sumergidor.
	La canasta de filtro de la bomba está tapada. La canasta de filtro está dañada.	Limpie la canasta de filtro de la bomba. Reemplace la canasta.
Capacidad y/o cabezal reducidos	Bolsas de aire o fugas en la línea de succión.	Cheque la tubería de succión y las glándulas de la válvula en cualquiera de las compuertas de las válvulas. Asegure la cubierta de la canasta de filtro de la bomba y asegúrese de que la canasta está en su lugar. Revise el nivel del agua para asegurarse de que el sumergidor no está jalando aire.
	Impulsor tapado. Filtro de bomba tapado.	Desconecte la bomba. Desmonte (vea la página 24, "Desmontaje de la Bomba"). Limpie cualquier desecho que tenga el impulsor. Si los desechos no pueden ser removidos, haga lo siguiente: 1. Remueva el tornillo antigiro que está a mano izquierda y el anillo "O". 2. Remueva, limpie y reinstale el impulsor. 3. Monte todo de nuevo (vea la página 25, "Montaje de la Bomba") Limpie el tubo de succión.
La bomba no enciende.	El voltaje principal no está presente.	1. Reemplace el fusible y reinicie el interruptor/GFCI. 2. Ajuste los conectores principales.
	El eje de la bomba está Bloqueado. El eje de la bomba está dañado.	Revise que la bomba puede ser girada a mano y remueva cualquier obstáculo. Reemplace la bomba.
La bomba inicia pero luego se detiene.	Temperatura elevada FAULT.	Asegúrese que la parte trasera de la bomba esté libre de polvo y de desechos. Utilice aire comprimido para limpiarla.
	Corriente elevada FAULT.	La bomba se reiniciará automáticamente luego de un (1) minuto.
La bomba hace mucho ruido.	Hay desechos en contacto con el ventilador.	Compruebe que la parte trasera de la bomba está libre de desechos y de polvo. Utilice aire comprimido para limpiarla.
	Hay desechos en la canasta de filtro.	Limpie la canasta de filtro.
	El montaje está flojo.	Revise que los tornillos de montaje de la bomba y la bomba estén ajustados.

Problema	Posibles Causas	Medidas Correctivas
La bomba corre sin flujo.	El impulsor está flojo.	Revise que la bomba está girando al mirar al ventilador en la parte trasera de la Bomba de Velocidad Variable. Si es así, revise que el impulsor está instalado correctamente.
	Hay una fuga de aire.	Revise las conexiones de la plomería y verifique que estén bien ajustadas.
	Hay un tubo tapado o restringido.	Revise si hay un bloqueo en el filtro o en el lado de succión del tubo. Revise si hay un bloqueo en la tubería de desagüe incluyendo si hay una válvula cerrada parcialmente o si el filtro de la piscina está sucio.

7.1 Errores y Alarmas

Si una alarma se activa, la pantalla de la transmisión LCD mostrará un código de falla y la Bomba de Velocidad Variable se va a detener. Desconecte la bomba y espere hasta que las luces LED del teclado se hayan apagado. En este punto, reconecte la bomba. Si el código de error todavía está presente, entonces debe de iniciar un proceso de diagnóstico de averías. Utilice la tabla de descripción de fallos a continuación para iniciar un diagnóstico de averías.

Código de Fallo	Descripción	Código de Fallo	Descripción
E-01	Protección de la unidad de inversor	E-10	Sobrecarga del inversor
E-02	Aceleración excesiva de corriente	E-11	Pérdida de fase en el lado de la entrada
E-03	Deceleración excesiva de corriente	E-12	Fallo de fase en el lado de la salida
E-04	Velocidad constante excesiva de corriente	E-14	Sobrecalentamiento de la unidad
E-05	Aceleración de sobrevoltaje	E-16	Fallo de comunicación
E-06	Deceleración de sobrevoltaje	E-17	Fallo de detección de corriente
E-07	Velocidad constante extrema de sobrevoltaje	E-24	Fallo del equipo del inversor
E-08	Fallo de bajo voltaje		
E-09	Sobrecarga del motor		

E-16—El enlace de comunicación entre el HMI y el control del motor se ha perdido: Revise el cable forrado en la parte trasera del teclado dentro de la cubierta de la transmisión. Asegúrese de que el conector de 5 clavijas está conectado correctamente al enchufe y que el cable no está dañado.

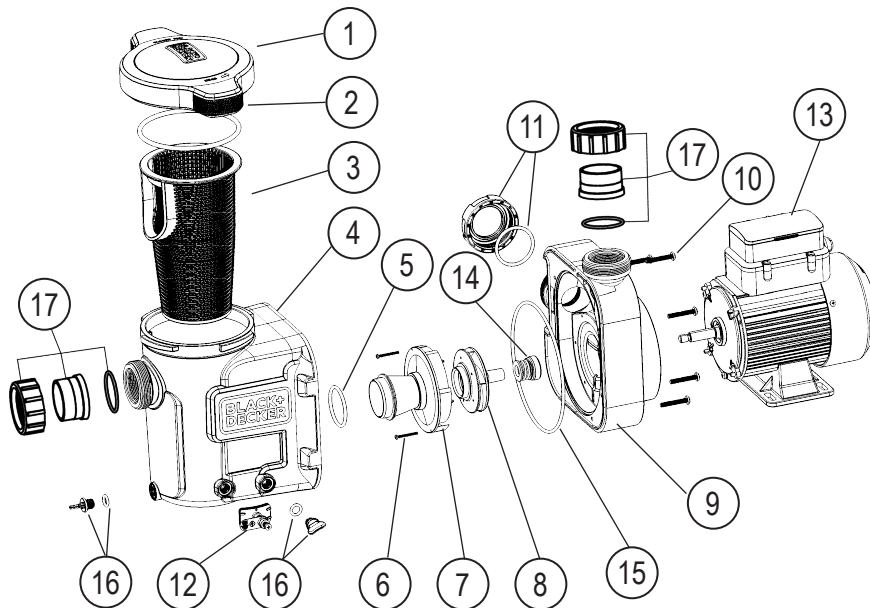
E-01,02,03,04,05,06,07,09,10,24—Fallos Internos: Si el código de fallo aparece en la pantalla múltiples veces, entonces existe un problema con el montaje rotativo de la bomba. Por favor, desmonte la bomba e investigue para ver si hay un problema con el impulsor o el sello mecánico. Vea la página 24, "Desmontaje de la Bomba" para más instrucciones acerca de cómo desmontar la bomba.

E-08--AC de Bajo Voltaje Absoluto Detectado: Esto indica que el suministro de voltaje está por debajo del rango de operación de 200 V. Esto puede ser causado por la variación normal de voltaje y se arreglará automáticamente. De lo contrario, puede que haya una caída de tensión excesiva causada por una mala instalación o un suministro de tensión inapropiado.

E-14-- Sobrecalentamiento de la Unidad: Debe de haber sido causado por una temperatura ambiente alta o por un sobrecalentamiento.

8. Piezas de Reemplazo

Figure 8-1



No. de Referencia	No. de Pieza	Descripción	Cant.
1	BDXBTVAR-1	Paquete de Cubierta de Filtro	1
2	BDXBTVAR-2	Cubierta de Anillo "O"	1
3	BDXBTVAR-3	Canasta	1
4	BDXBTAGVAR-4	Carcasa de Filtro	1
5	BDXBTAGVAR-5	Difusor de Anillo "O"	1
6	BDXBTAGVAR-6	Tornillos del Difusor (2pcs)	1
7	BDXBTAGVAR-7	Difusor	1
8	BDXBTAGVAR-8	Impulsor para BDXBTAGVAR	1
9	BDXBTAGVAR-9	Carcasa de la Bomba	1
10	BDXBTAGVAR-10	Paquete de Tornillos de la Carcasa (8pcs)	1
11	BDXBTAGVAR-11	Tapón de Bujía con Anillo "O"	1
12	BDXBTAGVAR-12	Dispositivo de Unión	1
13	BDXBTAGVAR-13	Motor VSM10FR	1
14	BDXBTAGVAR-14	Montaje de Sellado	1
15	BDXBTAGVAR-15	Carcasa del Filtro Anillo "O"	1
16	BDXBTVAR-20	Tapón de Drenaje con Anillo "O" (2pcs)	1
17	BDXBTAGVAR-17	Paquete del Conector de Unión (Pieza 1.5")	1

9. Garantía Limitada

Información de Servicio

El Centro de Servicios de la Bomba está totalmente capacitado con un personal certificado para proveer servicios de piscina eficientes y confiables a nuestros clientes. Ya sea que necesite asesoramiento técnico, reparaciones o una pieza de repuesto de la factoría, contacte el Centro de Servicios de Bombas. Llame al (516) 796-2425 o envíenos un correo al service@blackanddecker-pool.com o al warranty@blackanddecker-pool.com

Garantía Limitada de Blue Torrent Pool Products

Garantía Limitada por Tres Años.

Los productos de piscina de Blue Torrent garantizan que este producto y la mano de obra están libre de defectos por un periodo de cinco (5) años desde la fecha de compra.

Esta garantía limitada no cubre fallos causados por abuso, daños accidentales o cuando se hayan hecho reparaciones por otras entes que no sean los Centros de Servicio de Bombas Autorizados. Un producto defectivo que cumpla con las condiciones aquí descritas debe de ser reemplazado o reparado sin costo alguno en una de estas dos formas:

Primero, devuelva el producto al proveedor del cual compro la bomba (provisto que la tienda es un proveedor participante). Este caso solo resulta en intercambios. Las devoluciones deben de hacerse dentro del periodo de tiempo de la política del proveedor específica para intercambios. Puede que se requiera un comprobante de venta.

Por favor, confirme con su proveedor para la política específica de devoluciones dentro del tiempo límite relacionado con devoluciones o cambios.

La segunda opción es tomar o enviar el producto (prepagado) a un Centro de Servicios de Bomba autorizado para reparaciones o reemplazos en la opción de Blue Torrents. Puede que se requiera un comprobante de venta.

Centro de Servicio de Bombas
(516)796-2425
1075 Hicksville Road
Seaford, NY 11783 USA
service@blackanddecker-pool.com
warranty@blackanddecker-pool.com

Esta garantía limitada constituye la garantía completa. No aplican otras garantías, ya sea que sean expresadas o implicadas. Esta garantía le provee derechos legales específicos y puede que usted tenga otros derechos que varían según el estado donde reside. Si tiene alguna pregunta, contacte con el supervisor del Centro de Servicios de Bombas.

LATINO AMÉRICA: Esta garantía no aplica a productos vendidos en Latino America. Para productos vendidos en Latino America, revise la información de garantía específica a su país contenida en el empaquetado, llame a su compañía local o visite la página web para más información.

REEMPLAZO DE ETIQUETA DE LIBRE ADVERTENCIA: Si sus etiquetas son ilegibles o están perdidas, llame al (516) 796-2425 para un reemplazo gratis.

Fabricado por Blue Torrent Pool Products
444 E 81ST ST
NEW YORK, NY 10028-5859

Los logos y nombres de los productos y la esquema de color naranja y negra son marcas de The Black & Decker Corporation, usados bajo licencia BLACK & DECKER, BLACK+DECKER, the BLACK & DECKER y BLACK+DECKER. Todos los derechos reservados.

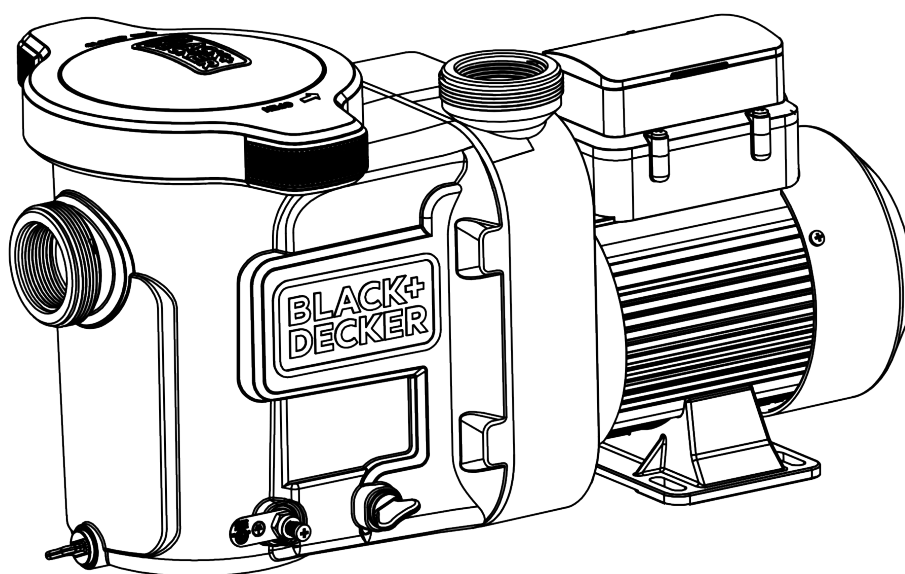
patents/protege/patentes: www.blackanddecker.com/patents

© Copyright

BLACK+ DECKER

MANUEL D'INSTRUCTION
DE LA POMPE À VITESSE VARIABLE

NUMÉROS DE CATALOGUE
BDXBTAGVAR



Veillez lire ce document avant de retourner ce produit pour quelque raison que ce soit.

TABLE DES MATIÈRES

1. Consignes de sécurité importantes	3-4	3.10 Affichage du mode d'économie d'énergie	11
2. Informations générales	5	3.11 Arrêt de la pompe	11
2.1 Introduction	5	3.12 Programmation de la vitesse et du temps d'amorçage	11
2.2 Vue d'ensemble de la pompe	5	3.13 Pour modifier les paramètres de vitesse prédéfinis par défaut	11
2.3 Vue d'ensemble du contrôleur	5	3.14 Programmation du clavier de verrouillage	11
2.4 Dimensions de la pompe	6	3.15 Réinitialisation des paramètres de vitesse à la configuration par défaut	11
2.5 Spécifications du produit	6	4. Entretien	12
2.6 Courbe de performance de la pompe	6	5. Entreposage/Hivérisation	12
2.7 Contenus du produit	7	5.1 Stocker la pompe pour l'hivérisation	12
3. Installation et câblage	7	6. Instructions de remplacement du joint de l'arbre	12
3.1 Guide de préparation	7	6.1 Méthode de remplacement du joint de l'arbre..	13
3.2 Emplacement de la pompe	7	7. Dépannage et diagnostic	14
3.3 Plomberie	8	7.1 Erreurs et alarmes	15
3.4 Électricité	8	8. Pièces de rechange	16
3.5 Normes électriques	9	9. Garantie limitée	17
3.6 Tension	9		
3.7 Mise à la terre et attaches	9		
3.8 Câblage	9		
3.9 Vue d'ensemble du panneau de commande...	10		

FICHE D'INFORMATION SUR L'ÉQUIPEMENT

DATE D'INSTALLATION _____

INFORMATIONS SUR L'INSTALLATEUR _____

LECTURE INITIALE DU MANOMÈTRE (AVEC FILTRE TRANSPARENT) _____

MODÈLE DE LA POMPE PUISSANCE _____

NOTES: _____

Définitions : Symboles d'avertissements de sécurité et leur explication

Ce manuel d'instructions utilise des symboles de sécurité, suivis d'un terme particulier. Ils sont accompagnés d'une description pour vous avertir des situations dangereuses et des risques de blessures ou de dommages matériels.

⚠ DANGER : Indique une situation dangereuse imminente qui, si elle n'est pas évitée, **entraînera la mort ou des blessures graves**.

⚠ AVERTISSEMENT : Indique une situation potentiellement dangereuse qui, si elle n'est pas évitée, **pourrait entraîner la mort ou des blessures graves**.

⚠ ATTENTION : Indique une situation potentiellement dangereuse qui, si elle n'est pas évitée, **peut entraîner des blessures légères ou modérées**.

(Utilisé sans terme particulier): Indique un message relatif à la sécurité.

⚠ AVIS : Indique une pratique **non liée à des blessures corporelles** qui, si elle n'est pas évitée, **peut entraîner des dommages matériels**.

1. Instructions de sécurité importantes

Lors de l'utilisation d'un appareil électrique, des précautions de base doivent toujours être prises, notamment les suivantes :
LISEZ TOUTES LES INSTRUCTIONS AVANT D'UTILISER L'APPAREIL.

⚠ AVERTISSEMENT : Lisez tous les avertissements de sécurité et toutes les instructions. Le non-respect des avertissements et des instructions énumérés ci-dessous peut entraîner un choc électrique, un incendie et/ou des blessures graves.

⚠ AVERTISSEMENT : Pour réduire le risque de blessure, ne permettez pas aux enfants d'utiliser ou de monter sur ce produit.

⚠ AVERTISSEMENT : Une installation incorrecte créera un risque électrique qui pourrait entraîner la mort ou des blessures graves aux utilisateurs de la piscine, aux installateurs ou à d'autres personnes, et pourrait également causer des dommages matériels.

⚠ AVERTISSEMENT : **Risque de choc électrique.**

1. Cette pompe est destinée à être utilisée avec une tension nominale de 115 V (valeur efficace), et dans des équipements de piscine UNIQUEMENT. Une connexion à une tension incorrecte ou une utilisation dans tout autre cadre peut causer des dommages à l'équipement ou des blessures corporelles.

2. Débranchez toujours l'alimentation de la pompe de piscine au niveau du disjoncteur avant de procéder à l'entretien de la pompe. Le non-respect de cette consigne peut entraîner la mort ou des blessures graves pour le technicien, les utilisateurs de la piscine ou d'autres personnes, en raison d'un choc électrique.

3. Tout le câblage électrique DOIT être conforme à tous les codes et règlements locaux applicables et au National Electric Code ® (NEC®).

4. Conformément au National Electric Code® (NEC®), cet appareil doit être connecté uniquement à un circuit d'alimentation protégé par un disjoncteur de fuite à la terre (GFCI).

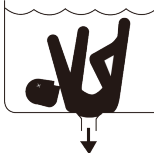
5. Pour réduire le risque de choc électrique, remplacez immédiatement tout cordon endommagé.

⚠ AVERTISSEMENT : DANGER DE PIEGEAGE PAR SUCCION.

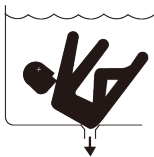
Les pompes de piscine et de spa ont une grande force d'aspiration, ce qui peut présenter un danger extrême si une personne s'approche d'un écoulement de piscine ou de spa ouvert ou si un couvercle d'écoulement est desserré, fissuré, cassé ou manquant:



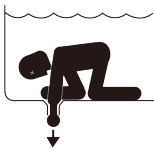
Rétention des cheveux - Les cheveux peuvent s'emmêler et se coincer dans le couvercle de la sortie d'aspiration.



Rétention par aspiration du corps - Un vide sous pression appliqué à une grande partie du corps ou à des membres du corps peut entraîner un enchevêtrement par aspiration: la force d'aspiration est suffisante pour maintenir un adulte sous l'eau.



Éviscération - Une pression négative appliquée directement aux intestins par une sortie d'aspiration non protégée, endommagée, cassée, fissurée, manquante ou non fixée, peut entraîner une éviscération/éventration.



Piégeage mécanique - Il est possible que des bijoux, des maillots de bain, des décorations capillaires, des doigts, des orteils ou des articulations soient coincés dans une ouverture d'un couvercle de sortie d'aspiration, ce qui entraîne un piégeage mécanique.

⚠ AVERTISSEMENT :

1. Lorsque les sorties sont suffisamment petites pour être bloquées par une personne, il faut installer au moins deux sorties d'aspiration fonctionnelles par pompe. Les sorties d'aspiration dans le même plan (c'est-à-dire au sol ou au mur) doivent être installées à une distance minimale de trois pieds (3') [0,91 mètre], mesurée d'un point à l'autre.
2. Les raccords d'aspiration doubles doivent être placés à des endroits et à des distances tels qu'ils évitent un "double blocage" par un utilisateur.
3. Les doubles raccords d'aspiration ne doivent pas être placés sur des endroits prévus pour s'asseoir dans la piscine, ou sur leur dossier.
4. Le fait de ne pas maintenir les composants de la sortie d'aspiration dégagés de débris, tels que: feuilles, saleté, cheveux, papier et autres matériaux, peut augmenter le risque de PIEGEAGE PAR SUCCION.
5. Il est recommandé d'installer un système d'évacuation ou de ventilation qui facilite l'aspiration des débris piégés.

⚠ AVERTISSEMENT : RISQUE DE DANGER DE PRESSION.

1. Lorsque l'on teste la pression d'un système avec de l'eau, de l'air est souvent emprisonné dans le système pendant le remplissage. Cet air se comprime lorsque le système est mis sous pression. En cas de défaillance du système, cet air piégé peut propulser des débris à grande vitesse et causer des blessures. Tous les efforts doivent être faits pour éliminer l'air piégé, notamment en ouvrant la vanne de purge du filtre et en desserrant le couvercle du panier de la pompe pendant le remplissage.
2. L'air piégé dans le système peut provoquer l'expulsion du couvercle du filtre, ce qui peut entraîner la mort, des blessures graves ou des dommages matériels. Assurez-vous que tout l'air est correctement évacué du système avant de le faire fonctionner.
3. N'UTILISEZ PAS D'AIR COMPRIMÉ POUR TESTER LA PRESSION OU VÉRIFIER L'ÉTANCHÉITÉ.

REMARQUE : Ne pas démarrer la pompe à sec ! Faire fonctionner la pompe à sec pendant une période prolongée endommagera gravement la pompe et annulera la garantie.

CONSERVEZ CES INSTRUCTIONS

2. Informations générales

2.1 Introduction

Ce manuel contient des informations pour l'installation et le fonctionnement corrects de la famille de pompes à vitesse variable Black & Decker. Les instructions contenues dans ce manuel DOIVENT être suivies à la lettre. Les pompes à vitesse variable Black & Decker peuvent fonctionner de 1000 à 3450 tours/minute. Cela vous permet de sélectionner la vitesse la plus adaptée à votre utilisation spécifique.

2.2 Vue d'ensemble de la pompe

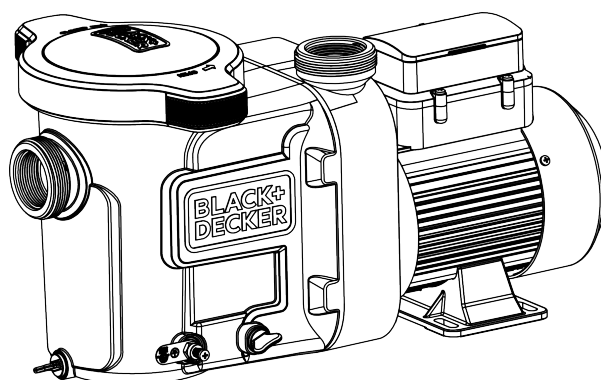
Le choix parfait pour tous les types de piscines, la pompe à vitesse variable a été spécialement conçue pour être votre meilleur choix pour une variété de piscines creusées. Des pièces de carrosserie à parois épaisses, un moteur TEFC à usage intensif et un système hydraulique de haute technicité font de cette conception robuste et éprouvée le choix idéal pour toute piscine, tout spa, toute fontaine ou tout autre pièce d'eau.

2.3 Vue d'ensemble du contrôleur

La pompe à vitesse variable utilise un moteur à vitesse variable à haut rendement qui offre une grande souplesse de programmation en termes de réglage de la vitesse du moteur et de durée de fonctionnement. La pompe est conçue pour fonctionner aux vitesses les plus basses nécessaires pour maintenir un environnement sanitaire, ce qui permet de minimiser la consommation d'énergie. La taille de la piscine, la présence d'autres éléments aquatiques, les produits chimiques utilisés pour maintenir les conditions sanitaires et les facteurs environnementaux locaux auront un impact sur la programmation optimale nécessaire pour maximiser les économies d'énergie.

L'interface électronique intégrée contrôle les réglages de vitesse ainsi que les durées de fonctionnement. La pompe peut fonctionner à des vitesses comprises entre 1000 et 3450 RPM et fonctionnera dans une plage de tension de 115 Vrms à une fréquence d'entrée de 50 ou 60Hz. La personnalisation du programme peut nécessiter quelques essais et erreurs pour déterminer les réglages les plus satisfaisants en fonction des conditions. Dans la plupart des cas, le réglage de la pompe à la vitesse la plus basse pendant la plus longue durée est la meilleure stratégie pour minimiser la consommation d'énergie. Cependant, les conditions peuvent nécessiter de faire fonctionner la pompe à une vitesse plus élevée pendant une certaine durée chaque jour afin de maintenir une filtration adéquate pour obtenir un assainissement satisfaisant.

Remarque : Optimisez la pompe en fonction des conditions de votre piscine. Les conditions spécifiques, notamment la taille de la piscine, les autres dispositifs, les caractéristiques et les facteurs environnementaux peuvent tous avoir un impact sur les réglages optimaux.

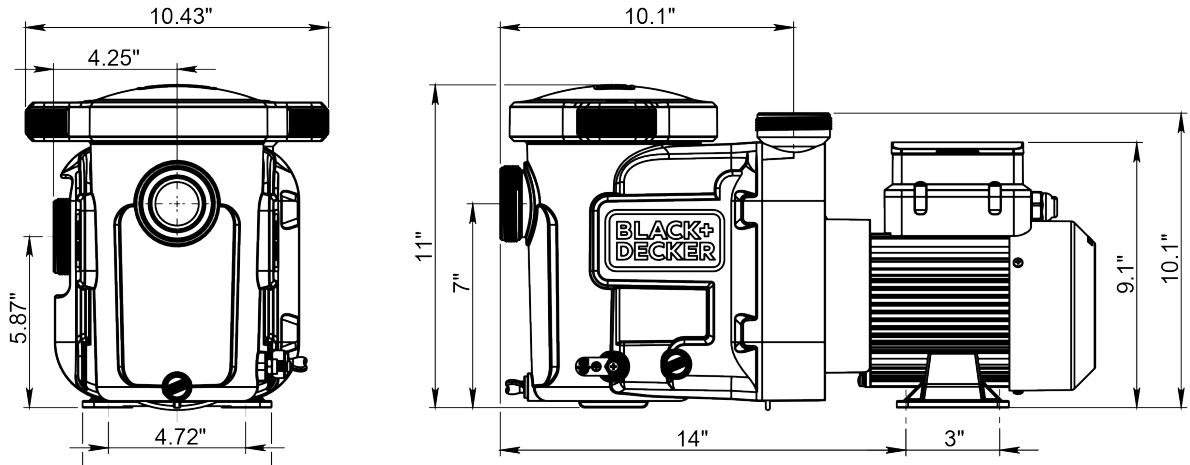


Caractéristiques générales

- Moteur à aimant permanent totalement fermé.
- Conception hydraulique avancée.
- Programmable avec jusqu'à 3 vitesses personnalisées.
- Pour une meilleure gestion de la piscine, il peut être contrôlé par des plateformes tierces de contrôle de piscine et de spa.
- L'entraînement du moteur comprend une protection intégrée contre les températures élevées et les fluctuations de tension.

2.4 Dimension de la pompe

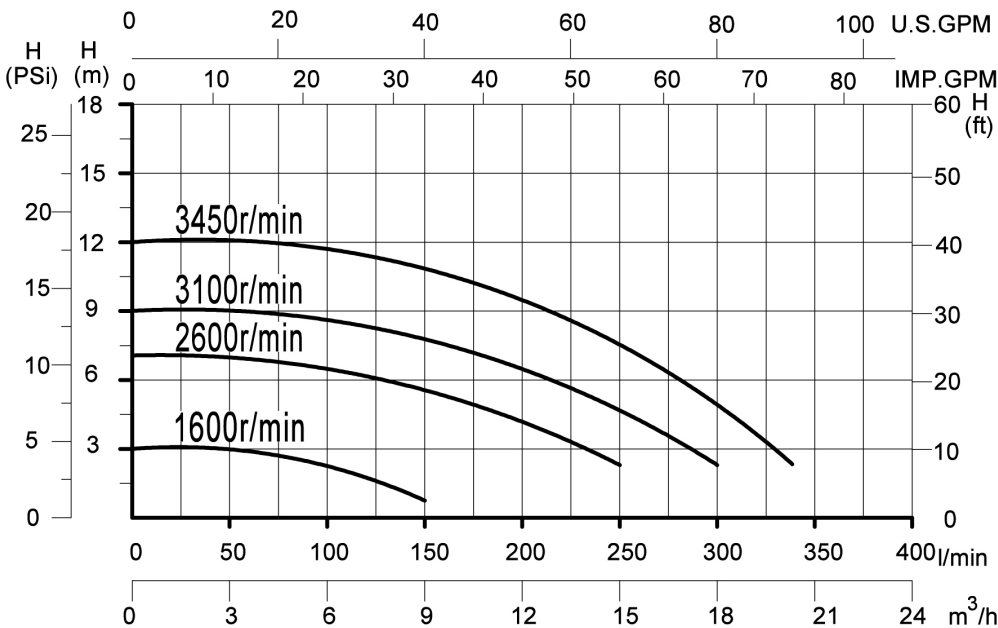
Remarque : Lors de l'installation d'une pompe, laissez un minimum d'un (1) pied (30 cm) de dégagement au-dessus de la pompe pour le retrait du compartiment de filtrage.



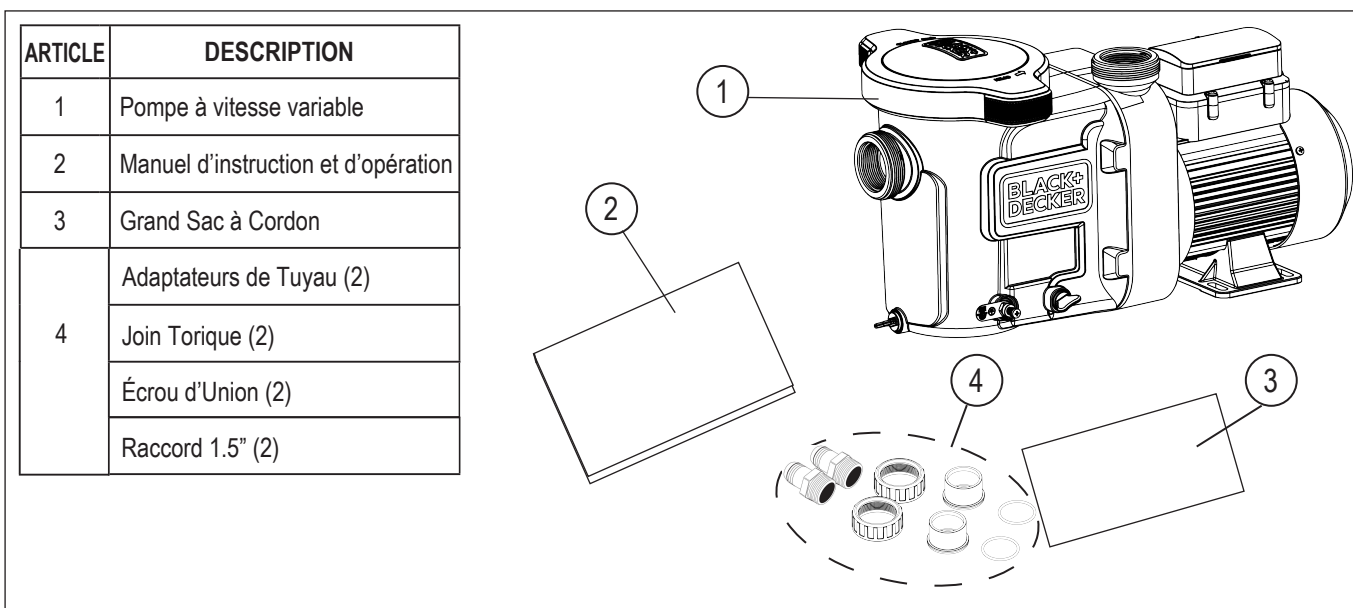
2.5 Spécifications des produits

Modèle	Puissance	Tension	Fréquence	Max Watts	Ampérage	Gamme de vitesse	Taille de l'Écrou	Weight
BDXBTAGVAR	1.5	115 VAC	50/60HZ	900 W	11	1000-3450	1.5" x 1.5"	10.5Kg(23lb)

2.6 Courbes de performance de la pompe



2.7 Contenus du produit



3. Installation et câblage

3.1 Guide de préparation

À la réception de la pompe, vérifiez que le carton n'est pas endommagé. Ouvrez le carton et vérifiez que la pompe ne présente pas de dommages cachés, tels que des fissures, des bosses ou une base tordue. Si vous constatez des dommages, contactez l'expéditeur ou le distributeur où la pompe a été achetée.

Inspectez le contenu du carton et vérifiez que toutes les pièces sont incluses. Voir la section 2.7, Contenu du produit.

3.2 Emplacement de la pompe

La pompe Black & Decker Above-Ground DOIT être installée sous la ligne d'eau de la piscine.

Placez la pompe sur une fondation solide qui fournit un support rigide et sans vibrations, de sorte qu'elle soit facilement accessible pour le service et l'entretien.

Installez la pompe dans un endroit bien ventilé, à l'abri de la lumière directe du soleil et de l'humidité excessive.

Protégez la pompe contre les inondations et empêchez les corps étrangers d'obstruer la circulation d'air autour du moteur. Tous les moteurs génèrent de la chaleur qui doit être évacuée par une ventilation adéquate.

3.3 Plomberie

Lors du raccordement de la tuyauterie à la pompe avec des orifices filetés, il est recommandé d'utiliser du ruban d'étanchéité pour filetage. Les tuyaux à plomberie rigide doivent avoir des raccords soudés à l'aide d'un solvant adapté. Les raccords de tuyaux flexibles doivent être serrés correctement. Si la conduite d'aspiration n'est pas correctement scellée, la pompe ne s'amorcera pas correctement et pompera soit des petits volumes d'eau ou sera complètement inefficace.

Tuyauterie - Le tuyau flexible, le PVC ou le tuyau renforcé sont tous des méthodes de tuyauterie acceptables.

Avant de mettre la pompe en marche pour la première fois, retirez le couvercle transparent. (Tournez la bague du couvercle dans le sens inverse des aiguilles d'une montre pour l'enlever.) Remplissez le réservoir de la crépine avec de l'eau jusqu'à ce qu'il soit au niveau de l'entrée d'aspiration. Remettez le couvercle en place avec la bague de verrouillage. Serrez le couvercle à la main pour obtenir un joint étanche à l'air. **NE PAS** utiliser d'outils pour serrer le couvercle.

Pour éviter toute contrainte sur la pompe, soutenez indépendamment l'aspiration et la sortie. Placez les supports près de la pompe. Pour éviter les contraintes dues à un vide au niveau du dernier raccordement, commencez toutes les canalisations au niveau de la pompe et faites-les passer dans l'axe de la pompe.

Pour la sortie de la pompe, utilisez un tuyau en PVC de 1-1/2" ou un tuyau renforcé. Pour l'aspiration de la pompe sur TOUS les modèles, utilisez un tuyau renforcé de 1-1/2". Augmentez la taille si un long parcours est nécessaire. Pour un tuyau plus grand que l'orifice, utiliser un raccord réducteur dans l'orifice de la crépine.

N'utilisez JAMAIS de tuyau d'aspiration plus petit que les raccords d'aspiration de la pompe. L'entrée du tuyau d'aspiration doit être plus basse que l'orifice d'entrée de la pompe.

Utilisez le moins de raccords possible. Chaque raccord supplémentaire a pour effet d'éloigner l'équipement de l'eau.

3.4 Électricité

- Installez tous les équipements conformément au code national de l'électricité et à tous les codes et ordonnances locaux applicables.
- Un moyen de déconnexion doit être incorporé au câblage fixe conformément aux règles de câblage.

⚠ AVERTISSEMENT



RISQUE DE CHOC ÉLECTRIQUE OU D'ÉLECTROCUTION. La pompe à vitesse variable doit être installée par un électricien agréé ou certifié ou par un professionnel de service qualifié, conformément au Code national de l'électricité et à tous les codes et ordonnances locaux applicables. Une installation incorrecte créera un risque électrique qui pourrait entraîner la mort ou des blessures graves pour les utilisateurs, les installateurs ou d'autres personnes en raison d'un choc électrique, et peut également causer des dommages matériels. **Débranchez toujours l'alimentation électrique de la pompe au niveau du disjoncteur avant de procéder à l'entretien de la pompe. Tout manquement à cette règle pourrait entraîner la mort ou des blessures graves pour les personnes chargées de l'entretien, les utilisateurs de la piscine ou d'autres personnes en raison d'un choc électrique et/ou de dommages matériels.** Lisez toutes les instructions d'entretien avant de travailler sur la pompe.

⚠ AVERTISSEMENT : Mettez la pompe à la terre avant de la connecter à l'alimentation électrique. L'absence de mise à la terre et de liaison de la pompe peut entraîner un risque de choc électrique grave ou mortel. Ne PAS mettre la pompe à la terre sur une ligne d'alimentation en gaz. Pour éviter un choc électrique dangereux ou mortel, couper l'alimentation de la pompe avant de travailler sur les connexions électriques.

Risque d'incendie - faire correspondre la tension d'alimentation à la tension de la plaque signalétique de la pompe. S'assurer que l'alimentation électrique disponible correspond à la tension, la phase et le cycle de la pompe, et que la taille du fil est adéquate pour l'ampérage et la distance de la source d'alimentation. Utilisez uniquement des conducteurs en cuivre.

3.5 Normes électriques

Tension : 115VAC, 50/60Hz, monophasé

Plage de vitesse : 1000 - 3450 rpm

Utilisez uniquement des conducteurs en cuivre. Pour une utilisation intérieure et extérieure. Raccordez la pompe à un circuit de dérivation de 15 ampères, conformément aux codes et règlements locaux et au National Electric Code (NEC). Un moyen de déconnexion situé à au moins 5 pieds de la paroi intérieure de la piscine, du spa ou de la cuve thermique doit être fourni.

3.6 Tension

La tension de la pompe NE DOIT PAS être supérieure ou inférieure de plus de 10 % à la tension nominale de la plaque signalétique, sinon les composants risquent de surchauffer, ce qui entraînerait des déclenchements par surcharge et réduirait leur durée de vie. Si la tension est inférieure à 90% (104VAC) ou supérieure à 110% (126VAC) de la tension nominale (115VAC) lorsque la pompe fonctionne à pleine charge, consultez votre fournisseur d'électricité.

3.7 Mise à la terre et attaches

Installer, mettre à la terre, relier et câbler la pompe conformément aux exigences du code électrique local ou national.

Mettez la pompe à la terre de façon permanente. Utilisez la borne de mise à la terre verte fournie sous la plaque d'accès ; utilisez le type et la taille de fil requis par les normes électriques en vigueur. Connectez la borne de terre à la terre du service électrique.

Reliez le câble au moteur à l'aide de la cosse externe fournie.

Attacher la pompe à la structure de la piscine. Cet attache reliera toutes les parties métalliques à l'intérieur et autour de la piscine par un fil continu, ce qui réduit le risque de passage d'un courant entre les objets métalliques liés, qui pourrait potentiellement provoquer un choc électrique en cas de mise à la terre ou de court-circuit. Consultez les codes NEC pour toutes les normes de câblage, y compris, mais sans s'y limiter, la mise à la terre, la mise à la masse et les procédures générales de câblage.

Le châssis du moteur doit être mis à la terre à un point de mise à la terre fiable à l'aide d'un conducteur en cuivre solide, de calibre no 8 AWG ou plus. Au Canada, il faut utiliser un conducteur no 6 AWG ou plus. Si la pompe est installée à moins de cinq (5) pieds des parois intérieures de la piscine, du spa ou de la cuve thermique.

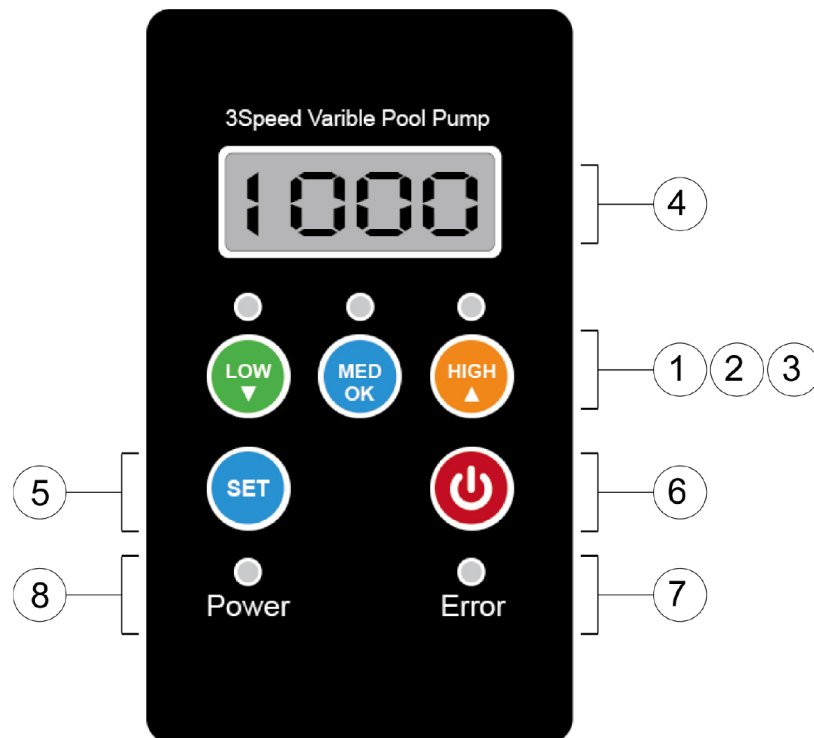
3.8 Câblage

⚠️ AVERTISSEMENT : Tout le câblage électrique DOIT être conforme aux codes et règlements locaux et au Code national de l'électricité (NEC).

La pompe DOIT être connectée en permanence au circuit. Si d'autres lumières ou appareils sont également sur le même circuit, assurez-vous d'ajouter leurs charges en ampères avant de calculer les tailles des fils et du disjoncteur. Utilisez le disjoncteur comme interrupteur principal marche-arrêt.

Tailles de fils recommandées			
Distance par rapport au sous-panneau	0 - 50 Pieds	50 - 100 Pieds	100 - 150 Pieds
Tension	115 VAC		
Taille minimale des fils (AWG)	12	10	8

3.9 Vue d'ensemble du panneau de commande



! ATTENTION

Si l'alimentation est connectée au moteur de la pompe à vitesse variable, le fait d'appuyer sur l'un des boutons suivants mentionnés dans cette section peut entraîner le démarrage du moteur. Le non-respect de cette consigne peut entraîner des blessures ou des dommages à l'équipement.

Navigation sur le clavier

1. **Bouton "LOW/▼"** : utilisé pour sélectionner la vitesse fixe LOW ou pour diminuer la vitesse en mode de programmation.
2. **Bouton "MED/OK"** : permet de sélectionner la vitesse fixe MEDIUM ou de confirmer/enregistrer les paramètres en mode de programmation.
3. **Bouton "HIGH/▲"** : permet de sélectionner la vitesse fixe HIGH ou d'augmenter la vitesse en mode de programmation.
4. **Fenêtre d'affichage LED** : affiche la vitesse actuelle du moteur, ou le message de code d'erreur.
5. **Bouton "SET"** : utilisé pour configurer le mode de programmation ou pour réinitialiser la commande.
6. **Bouton "⏻"** : permet d'arrêter le moteur.
7. **Voyant d'erreur** : s'allume lorsqu'un défaut est détecté.
8. **Voyant d'alimentation** : s'allume lorsque l'appareil est sous tension.

Démarrage de la pompe

Pour démarrer la pompe, appuyez sur le bouton "1", "2" ou "3" pour sélectionner la vitesse fixe pré-réglée. Si la pompe démarre à partir du mode veille, elle démarre et fonctionne ensuite avec la vitesse fixe sélectionnée.

Les réglages de vitesse par défaut sont les suivants.

Vitesse 1 = 1600 rpm

Vitesse 2 = 2600 rpm

Vitesse 3 = 3450 rpm

La pompe passe automatiquement de la vitesse sélectionnée "3" à la vitesse "1" après 2 heures de fonctionnement.

La pompe passera automatiquement de la vitesse "2" à la vitesse "1" après 24 heures de fonctionnement.

3.10 Affichage du mode d'économie d'énergie

L'affichage LED s'éteint au bout de 3 minutes si aucune action n'est détectée sur le clavier.

3.11 Arrêt de la pompe

Si la pompe est arrêtée normalement en appuyant sur le bouton "⏻", la LED "POWER" clignote et la fenêtre d'affichage LED affiche "OFF". Si la pompe est arrêtée par une anomalie détectée, la LED "POWER" clignote et la fenêtre d'affichage à LED affiche un numéro de code d'erreur. Reportez-vous au tableau des codes d'erreur pour connaître le numéro de code d'erreur affiché et sa description du défaut détecté.

3.12 Programmation de la vitesse et du temps d'amorçage

La pompe est réglée en usine avec un cycle d'amorçage par défaut de 3450 RPM pendant 2 minutes. Les étapes suivantes montrent comment modifier ces paramètres :

1. Lorsque la pompe est sous tension, appuyez sur le bouton "⏻". Ceci arrêtera la pompe si elle est en marche, et la fenêtre d'affichage à LED affichera "OFF".
2. Appuyez sur le bouton "SET" et maintenez-le enfoncé pendant au moins 3 secondes. Le niveau de puissance d'amorçage doit commencer à clignoter dans la fenêtre LED.
3. Appuyez sur le bouton "LOW/▼" pour diminuer la vitesse ou sur le bouton "HIGH/▲" pour l'augmenter. La vitesse diminue ou augmente de 50 tours par minute.
4. Appuyez sur le bouton "OK" pour enregistrer le réglage du niveau de puissance d'amorçage. Le temps d'amorçage commence alors à clignoter dans la fenêtre LED. Pour annuler et revenir au mode précédent, appuyez sur le bouton "SET".
5. Appuyez sur le bouton "LOW/▼" pour diminuer le temps ou sur le bouton "HIGH/▲" pour l'augmenter par plateaux d'une minute. La durée d'amorçage varie de 0 à 10 minutes. Pour annuler sans modifier le temps d'amorçage, appuyez sur le bouton "SET".
6. Appuyez sur la touche "OK" pour enregistrer le réglage du temps d'amorçage et quitter la séquence de programmation.

REMARQUE : Le réglage du temps d'amorçage sur 0 minute désactive le cycle d'amorçage.

3.13 Pour modifier les paramètres de vitesse prédéfinis par défaut

Appuyez sur le bouton "1", "2" ou "3" correspondant à la vitesse fixe que vous souhaitez modifier. La fenêtre LED affiche la vitesse actuelle, puis appuyez sur le bouton "SET" pendant au moins 3 secondes jusqu'à ce que la vitesse affichée dans la fenêtre LED commence à clignoter. La vitesse peut alors être modifiée à l'aide des boutons "LOW/▼" ou "HIGH/▲". La vitesse diminue ou augmente de 50 tr/min. La limite supérieure de la vitesse est de 3450 tr/min et la limite inférieure est de 1000 tr/min. Pour mémoriser la vitesse réglée, confirmez avec le bouton "OK". Pour annuler et revenir à la vitesse initiale, appuyez sur le bouton "SET".

3.14 Programmation du clavier de verrouillage

La programmation du clavier peut être verrouillée par sécurité pour éviter les modifications non autorisées. La fonction de verrouillage est initialisée en appuyant simultanément sur les boutons "⏻" et "SET". Une fois la fonction de verrouillage de sécurité activée, une marque "." (point) s'affiche sur le côté droit de la fenêtre d'affichage LED. Pour déverrouiller la fonction de verrouillage de sécurité, il suffit de répéter la même opération que ci-dessus.

3.15 Réinitialisation des paramètres de vitesse à la configuration par défaut

Le moteur peut être réinitialisé aux réglages de vitesse par défaut en appuyant sur le bouton "SET" pendant au moins 15 secondes, puis en le relâchant. Les trois voyants des vitesses fixes et le voyant "POWER" s'allument.

4. Entretien

Cette pompe nécessite peu ou pas d'entretien autre qu'un entretien raisonnable et un nettoyage périodique du compartiment de filtrage. NE PAS frapper le compartiment pour le nettoyer. Lors du nettoyage du filtre, vérifiez que le joint torique du couvercle n'est pas endommagé et remplacez-le si nécessaire.

Les pompes sont équipées de paliers de moteur et de joints d'arbre autolubrifiants. Aucune lubrification n'est nécessaire.

Maintenez le moteur propre. Assurez-vous que les orifices d'aération du moteur ne sont pas obstrués pour éviter tout dégât. N'utilisez PAS d'eau pour arroser le moteur.

La garniture mécanique peut s'user ou se desserrer au fil du temps, en fonction de la durée de fonctionnement et de la qualité de l'eau. Si l'eau fuit continuellement, il faut installer une nouvelle garniture mécanique. Après une longue période d'inactivité (stockage saisonnier, etc.), il faut vérifier que la pompe tourne facilement lorsqu'elle est arrêtée. De temps en temps, les joints d'arbre doivent être remplacés en raison de leur usure ou de leur endommagement. Remplacez-les par un kit d'étanchéité d'origine. Les instructions détaillées pour la dépose et le remplacement de la garniture mécanique commencent à la page 12. Voir "6. Instructions de remplacement du joint de d'arbre" dans ce manuel.

5. Entreposage/hivérization

AVIS : La pompe doit être protégée lorsque des températures négatives sont attendues. Le fait de laisser la pompe geler causera des dommages importants et annulera la garantie.

⚠ AVERTISSEMENT : Pour éviter tout risque d'électrocution dangereuse ou mortelle, coupez l'alimentation du moteur avant de vidanger la pompe. Le fait de ne pas débrancher l'alimentation peut entraîner des blessures graves ou mortelles.

Vidangez toute l'eau de la pompe et de la tuyauterie lorsque vous vous attendez à des températures glaciales ou lorsque vous stockez la pompe pendant une longue période (voir les instructions ci-dessous). Drainez le système par gravité autant que possible.

Gardez le moteur au sec et couvert pendant le stockage. Pour éviter les problèmes de condensation/corrosion, ne PAS couvrir ou envelopper la pompe avec un film ou des sacs en plastique.

5.1 Stocker la pompe pour l'hivérization

1. Assurez-vous que le niveau de l'eau de drainage soit sous toutes les entrées de la piscine.
2. Retirer les bouchons de vidange et le couvercle du compartiment de filtrage. (Voir le "Schéma des pièces" dans la section 8.0 de ce manuel pour connaître l'emplacement des composants de la pompe).
3. Déconnecter la pompe du support de montage, du câblage (après avoir coupé l'alimentation) et de la tuyauterie.
4. Une fois que la pompe est entièrement vidée de son eau, réinstallez le couvercle du filtre et les bouchons de vidange. Stocker la pompe dans un endroit sec.

6. Instructions de remplacement du joint de l'arbre

INSTRUCTIONS DE SÉCURITÉ IMPORTANTES LISEZ TOUTES LES INSTRUCTIONS

Le Code national de l'électricité exige soit un cordon de trois (3) pieds maximum avec un réceptacle protégé par un disjoncteur de fuite à la terre, soit une connexion par câble (conduit) pour l'installation d'une pompe de piscine. Lors de l'entretien d'un équipement électrique, des précautions de sécurité de base doivent toujours être observées, notamment les suivantes. Le non-respect des instructions peut entraîner des blessures.

⚠ AVERTISSEMENT :

1. Pour réduire le risque de blessure, ne permettez pas aux enfants d'utiliser ce produit.
2. Débrancher toute alimentation électrique de la pompe avant de commencer le remplacement du joint d'arbre.

3. Seul un personnel qualifié doit tenter de remplacer le joint rotatif. Contactez votre revendeur local agréé ou le centre de service si vous avez des questions.

4. N'utilisez pas de rallonges électriques.

Se reporter à la figure 8-1 pour l'emplacement des composants de la pompe. Faites preuve d'une extrême prudence lors de la manipulation des sections rotatives et stationnaires du joint de remplacement en deux parties. Les corps étrangers ou une manipulation incorrecte peuvent facilement rayer les surfaces d'étanchéité en graphite et en céramique.

6.1 Méthode de remplacement du joint de l'arbre

1. Arrêtez l'écoulement de l'eau vers la pompe en fermant les vannes appropriées ou en bouchant l'orifice de sortie de l'écumoire et l'orifice de retour vers la piscine. Débranchez la tuyauterie ou les tuyaux de l'ensemble moteur/pompe.

2. Dévisser sept (7) vis (voir figure 8.1 #10) et retirer le compartiment de filtrage de la pompe (voir figure 8.1#4) ET le diffuseur (voir figure 8.1#7), exposant ainsi la turbine.

3. Faites tourner la turbine dans le sens inverse des aiguilles d'une montre et retirez-la de l'arbre du moteur.

4. Prenez note de la façon dont la section du ressort en acier de l'ancien joint est positionnée sur le moyeu de la roue et retirez-la en tirant sur la roue.

5. Retirez le couvercle du ventilateur du moteur. Desserrez ensuite les quatre (4) boulons traversants du moteur à l'arrière de celui-ci et retirez le carter de pompe/la protection à l'avant du moteur.

6. Retirez la partie fixe en céramique de l'ancien joint en appuyant sur le siège en céramique blanc pour le faire sortir du logement de la pompe. Si l'assemblage est serré, tapez légèrement du côté "moteur".

7. Nettoyer et lubrifier la tige de la roue et l'évidement du corps de pompe avec une solution diluée de savon liquide non granulé. Ne pas utiliser de lubrifiants à base de pétrole ou de silicone, car ils peuvent contribuer à réduire l'étanchéité du joint.

8. Pressez la nouvelle partie rotative de l'ensemble de joint sur la tige de la roue, la surface en graphite noir poli étant tournée vers l'extérieur de la roue.

9. Pressez avec précaution la partie fixe en céramique du joint dans l'évidement du boîtier de la pompe, la surface plate et polie étant tournée vers l'extérieur.

10. Insérez avec précaution l'arbre du moteur dans le carter de la pompe et alignez-le avec le joint stationnaire en céramique blanche en place, puis fixez le moteur au carter de la pompe à l'aide des quatre (4) boulons traversants du moteur retirés à l'étape 5. Assurez-vous que la base du moteur et l'orifice de refoulement de la pompe sont correctement positionnés. Serrez alternativement les boulons traversants du moteur jusqu'à ce que le boîtier de la pompe soit fixé. Assurez-vous que l'arbre du moteur tourne librement avant de continuer, puis remettez le couvercle du ventilateur du moteur en place.

11. Vissez la roue (dans le sens des aiguilles d'une montre) avec la partie rotative du joint en place sur l'arbre du moteur. Serrez à la main la roue en place.

12. Nettoyer (remplacer si nécessaire) le joint torique et le replacer sur le couvercle de la pompe. Assemblez le boîtier de la crépine de la pompe (#4) ET le diffuseur (#7) au boîtier de la pompe avec les sept (7) vis retirées à l'étape #2. Serrez les vis alternativement et uniformément.

13. Reconnecter la pompe à la tuyauterie ou aux tuyaux fournis. Ouvrez toutes les vannes et assurez-vous que le boîtier de la crépine de la pompe est rempli d'eau avant de remettre la pompe en marche.

7. Dépannage et diagnostic



Le diagnostic de certains problèmes peut nécessiter une interaction étroite avec des composants alimentés en électricité ou à proximité de ceux-ci. Le contact avec l'électricité peut causer la mort, des blessures corporelles ou des dommages matériels. En cas de panne de la pompe, les diagnostics impliquant l'électricité doivent être effectués par un professionnel agréé.

Problème	Causes possibles	Actions correctives
La pompe est en panne.	La pompe ne s'amorce pas - Fuite d'air, trop d'air.	Vérifiez les conduites d'aspiration et les presse-étoupes de tous les robinets-vannes d'aspiration. Fixez le couvercle sur du filtre de la pompe et assurez-vous que le joint du couvercle est en place. Vérifiez le niveau de l'eau pour vous assurer que l'écumoire n'aspire pas d'air.
	La pompe ne s'amorce pas - Pas assez d'eau.	Assurez-vous que les conduites d'aspiration, la pompe, le filtre et la volute de la pompe sont remplis d'eau. Assurez-vous que la vanne de la conduite d'aspiration fonctionne et est ouverte (certains systèmes n'ont pas de vannes). Vérifiez le niveau d'eau pour vous assurer que l'eau est disponible par l'écumoire.
	Le joint d'étanchéité de la pompe est bouché. Le joint de la crépine de la pompe est défectueux.	Nettoyez le compartiment de filtrage de la pompe. Remplacez le joint d'étanchéité.
Capacité et/ou puissance réduite.	Poches d'air ou fuites dans la conduite d'aspiration.	Vérifiez les conduites d'aspiration et les raccords des vannes d'aspiration. Fixez le couvercle sur le filtre de la pompe et assurez-vous que le joint du couvercle est en place. Vérifiez le niveau de l'eau pour vous assurer que l'écumoire n'aspire pas d'air.
	Turbine bouchée. Filtre de la pompe bouché.	Coupez l'alimentation électrique de la pompe. Démontez la pompe (voir page 13, '6.1., "Démontage de la pompe"). Nettoyez les débris de la turbine. Si les débris ne peuvent pas être enlevés, suivez les étapes suivantes : 1. Retirez le boulon antirotation à filetage gauche et le joint torique. 2. Enlever, nettoyer et réinstaller la turbine. Remontez Remontez (voir page 13, '6.1., "Démontage de la pompe"). Nettoyer le réservoir d'aspiration.
La pompe ne démarre pas.	La tension sur le réseau n'est pas suffisante.	1. Remplacer le fusible, réinitialiser le disjoncteur/le disjoncteur de fuite de terre. 2. Resserrer les connexions des fils du circuit électrique.
	L'arbre de la pompe est bloqué. L'arbre de la pompe est endommagé.	Vérifiez si la pompe peut être tournée à la main et éliminez tout blocage. Remplacer la pompe.
La pompe fonctionne puis s'arrête.	Défaut de surchauffe. Défaut de courant.	Vérifiez que l'arrière de la pompe est libre de toute saleté et de tout débris. Utilisez de l'air comprimé pour le nettoyage. La pompe se remettra automatiquement en marche après une (1) minute.
La pompe est bruyante.	Débris en contact avec le ventilateur.	Vérifiez que l'arrière de la pompe est libre de toute saleté et de tout débris. Utilisez de l'air comprimé pour le nettoyage.
	Débris dans le compartiment de filtrage. Montage mal fixé.	Nettoyez le compartiment de filtrage. Vérifiez que les boulons de montage de la pompe sont bien serrés.

Problème	Causes possibles	Actions correctives
La pompe fonctionne sans débit.	La turbine est mal fixée.	Vérifiez que la pompe tourne en regardant le ventilateur à l'arrière de la pompe à vitesse variable. Si c'est le cas, assurez-vous que la roue de la pompe est correctement installée.
	Fuite d'air.	Vérifiez les connexions de la plomberie et assurez-vous qu'elles sont bien serrées. Vérifiez s'il n'y a pas de blocage dans le filtre ou dans la tuyauterie côté aspiration.
	Plomberie bouchée ou obstruée.	Vérifiez l'absence de blocage dans la tuyauterie de refoulement, y compris la vanne partiellement fermée ou le filtre de piscine encrassé.

7.1 Erreurs et alarmes

Si une alarme est déclenchée, l'écran LCD du variateur affiche le texte du code d'erreur et la pompe à vitesse variable s'arrête de fonctionner. Débranchez l'alimentation de la pompe et attendez que les voyants du clavier s'éteignent. À ce stade, rebranchez l'alimentation de la pompe. Si l'erreur n'a pas disparu, un dépannage approprié est nécessaire. Utilisez le tableau de description des erreurs ci-dessous pour commencer le dépannage.

Code d'erreur	Description	Code d'erreur	Description
E-01	Protection des onduleurs	E-10	Surcharge de l'onduleur
E-02	Surintensité pendant l'accélération	E-11	Perte de phase côté entrée
E-03	Surintensité pendant la décélération	E-12	Défaillance de la phase côté sortie
E-04	Surintensité en vitesse constante	E-14	Surchauffe des modules
E-05	Surtension pendant l'accélération	E-16	Défaut de communication
E-06	Surtension pendant la décélération	E-17	Défaut de détection de courant
E-07	Surtension en vitesse constante	E-24	Défaut matériel de l'onduleur
E-08	Défaut de sous-tension		
E-09	Surcharge du moteur		

E-16—Le lien de communication entre l'IHM et le contrôle du moteur a été perdu : Vérifiez le fil gainé à l'arrière du clavier, à l'intérieur du couvercle supérieur du lecteur. Assurez-vous que le connecteur à 5 broches est correctement branché dans la prise et que le câble n'est pas endommagé.

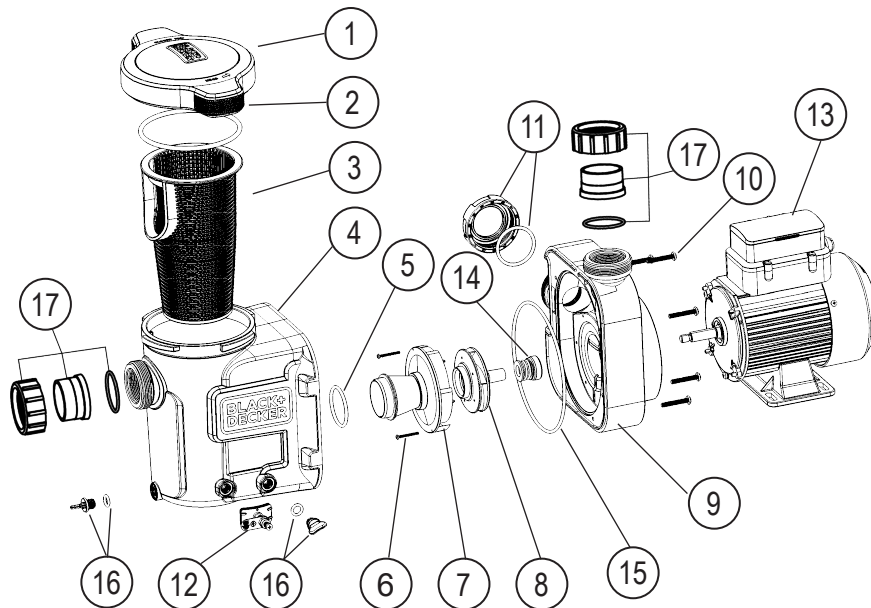
E-01,02,03,04,05,06,07,09,10,24—Erreurs internes : Si cette erreur s'affiche plusieurs fois, il peut y avoir un problème avec l'assemblage rotatif de la pompe. Veuillez démonter la pompe et vérifier s'il y a un problème avec la roue ou le joint mécanique. Voir page 15 "Démontage de la pompe" pour les instructions de démontage de la pompe.

E-08—Sous-tension AC absolue détectée : Ceci indique que la tension d'alimentation est tombée en dessous de la plage de fonctionnement de 200v. Cela peut être causé par une variation normale de la tension et se corrigera de soi-même. Sinon, il pourrait y avoir une chute de tension excessive causée par une mauvaise installation ou une tension d'alimentation inadéquate.

E-14—Surchauffe du module : Peut être causée par une température ambiante élevée ou une surcharge.

8. Pièces de rechange

Figure 8-1



Réf	No. de pièce	Description	Qté
1	BDXBTVAR-1	Couvercle du filtre	1
2	BDXBTVAR-2	Joint torique fileté pour le couvercle	1
3	BDXBTVAR-3	Panier de filtrage	1
4	BDXBTAGVAR-4	Boîtier du panier de filtrage	1
5	BDXBTAGVAR-5	Joint torique du diffuseur	1
6	BDXBTAGVAR-6	Vis du diffuseur (2pcs)	1
7	BDXBTAGVAR-7	Diffuseur	1
8	BDXBTAGVAR-8	Turbine pour BDXBTAGVAR	1
9	BDXBTAGVAR-9	Boîtier de la pompe	1
10	BDXBTAGVAR-10	Kit de boulons de boîtier (8 pièces)	1
11	BDXBTAGVAR-11	Bouchon avec joint torique	1
12	BDXBTAGVAR-12	Dispositif de fixation	1
13	BDXBTAGVAR-13	Moteur VSM10FR	1
14	BDXBTAGVAR-14	Joint d'étanchéité	1
15	BDXBTAGVAR-15	Joint torique du compartiment de filtrage	1
16	BDXBTVAR-20	Bouchon de Vidange avec Joint torique (2pcs)	1
17	BDXBTAGVAR-17	Kit de connection d'embout (Embout 1,5")	1

9. Garantie limitée

Informations sur les services

Notre centre de service des pompes est doté d'un personnel formé pour fournir aux clients un service de piscine efficace et fiable. Que vous ayez besoin de conseils techniques, de réparations ou de pièces de rechange d'origine, contactez le Pump Service Center. Appelez le centre : (516) 796-2425 ou visitez service@blackanddecker-pool.com/warranty@blackanddecker-pool.com

Garantie limitée des produits Blue Torrent Pool

Garantie limitée de trois ans

Blue Torrent Pool products garantit que ce produit est exempt de tout défaut de matériel ou de fabrication pendant une période de cinq (5) ans suivant la date d'achat.

Cette garantie limitée ne couvre pas les défaillances dues à un abus, à des dommages accidentels ou lorsque des réparations ont été effectuées ou entreprises par d'autres centres de service autorisés.

Un produit défectueux répondant aux conditions de garantie énoncées dans les présentes sera remplacé ou réparé gratuitement de l'une des deux façons suivantes :

La première, qui ne donnera lieu qu'à des échanges, consiste à renvoyer le produit au distributeur auprès duquel il a été acheté (à condition que le magasin soit un distributeur participant). Les retours doivent être effectués dans le délai prévu par la politique d'échange du distributeur. Une preuve d'achat peut être exigée.

Veuillez vérifier auprès du distributeur sa politique de retour spécifique concernant les délais de retour ou d'échange.

La deuxième option consiste à prendre ou à envoyer le produit (prépayé) au centre de service autorisé de Pump Service pour réparation ou remplacement à l'option Blue Torrents Option. Une preuve d'achat peut être exigée.

Pump Service Center
(516)796-2425
1075 Hicksville Road
Seaford, NY 11783 USA
service@blackanddecker-pool.com
warranty@blackanddecker-pool.com

Cette garantie limitée constitue la garantie totale. Aucune autre garantie ne s'applique, qu'elle soit expresse ou implicite. Cette garantie vous donne des droits légaux spécifiques et vous pouvez avoir d'autres droits qui varient d'un État à l'autre. Si vous avez des questions, contactez le manager du centre de service des pompes.

AMÉRIQUE LATINE : Cette garantie ne s'applique pas aux produits vendus en Amérique latine. Pour les produits vendus en Amérique latine, consultez les informations de garantie spécifiques à chaque pays figurant sur l'emballage, appelez l'entreprise locale ou consultez le site web pour obtenir ces informations.

REPLACEMENT GRATUIT DE L'ÉTIQUETTE D'AVERTISSEMENT : Si vos étiquettes d'avertissement deviennent illisibles ou sont manquantes, appelez le (516) 796-2425 pour un remplacement gratuit.

Fabriqué par Blue Torrent Pool Products

444 E 81ST ST

NEW YORK, NY 10028-5859

BLACK & DECKER, BLACK+DECKER, les logos et noms de produits BLACK & DECKER et BLACK+DECKER et la combinaison de couleurs orange et noire sont des marques de The Black & Decker Corporation, utilisées sous licence. Tous droits réservés. Brevets/Protégés/Brevets : www.blackanddecker.com/patents

© Copyright