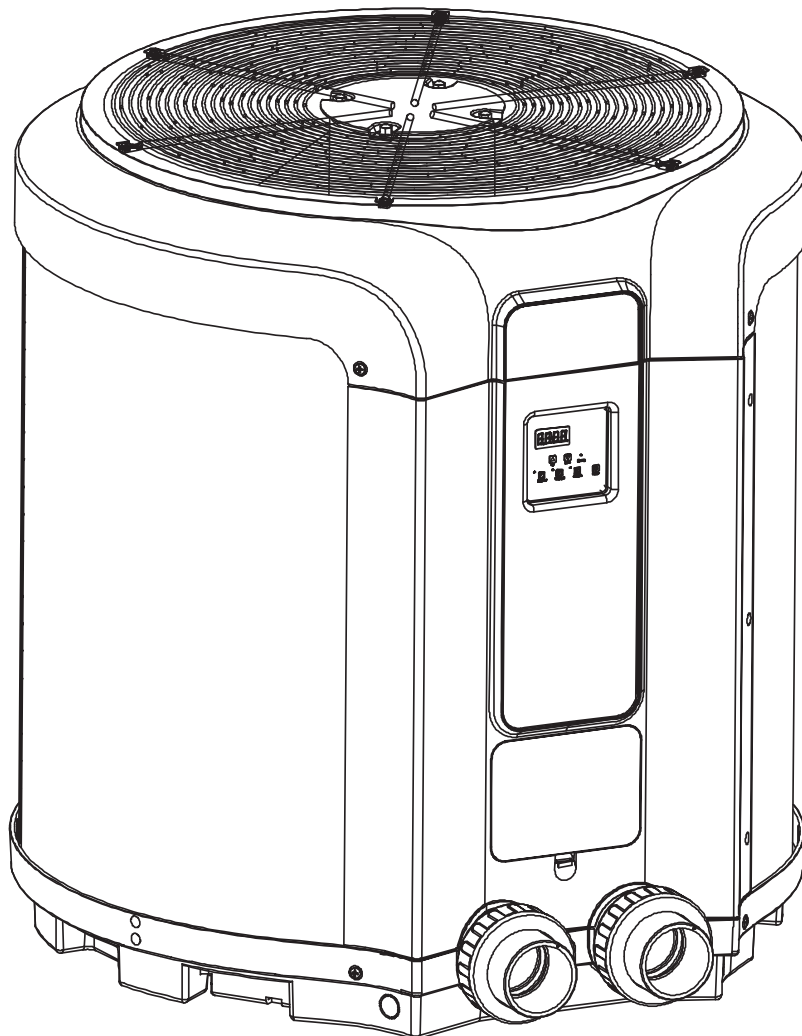




**ELECTRIC HEAT PUMP
INSTRUCTION MANUAL**

**CATALOG NUMBERS
BDXBT53**



Please read before returning this product for any reason.

TABLE OF CONTENTS

1. Important Safety Instructions	3	4. Operating the Pump	12
2. General Information	4	4.1 Control Panel Components	12
2.1 Introduction	4	4.2 Parameters and Measure Value	13
2.2 Heat Pump Overview	4	4.3 Operating Using the Control Panel.....	13
2.3 Heat Pump Structure	5	4.4 Servicer Analyzer Codes.....	14
2.4 Heat Pump Components	6-7	4.5 Initial Startup	15
3. Installation.....	8	5. Winterizing	15
3.1 Location	8	6. Service	15
3.2 Piping	8	6.1 Requesting Assistance or Service.....	15
3.3 Electrical Requirements	8	7. Troubleshooting	16
3.4 Bonding	9	8. Limited Warranty	17
3.5 Electrical Wiring	10-11		

EQUIPMENT INFORMATION RECORD

DATE OF INSTALLATION _____

INSTALLER INFORMATION _____

NOTES: _____

Definitions: Safety Alert Symbols and Words

This instruction manual uses the following safety alert symbols and words to alert you to hazardous situations and your risk of personal injury or property damage.

- ⚠ **DANGER:** Indicates an imminently hazardous situation which, if not avoided, **will** result in **death or serious injury**.
- ⚠ **WARNING:** Indicates a potentially hazardous situation which, if not avoided, **could** result in **death or serious injury**.
- ⚠ **CAUTION:** Indicates a potentially hazardous situation which, if not avoided, **may** result in **minor or moderate injury**.
- ⚠ (Used without word): Indicates a safety related message.

NOTICE: Indicates a practice **not related to personal injury** which, if not avoided, **may** result in **property damage**.

1. Important Safety Instructions

When using electrical appliances, basic precautions should always be followed, including the following:
READ ALL INSTRUCTIONS BEFORE USING THE APPLIANCE.

⚠ WARNING:

- Read all safety warnings and all instructions. Failure to follow the warnings and instructions listed below may result in electric shock, fire, and/or serious injury.
- To reduce the risk of injury, do not permit children to use or climb on this product.
- Improper installation will create an electric hazard which could result in death or serious injury to pool users, installers, or others due to electrical shock, and may also cause damage to property.
- **Risk of electric shock.**
- This heat pump is for use with 230Vrms nominal, and in pool heat pump applications ONLY. Connection to the wrong voltage, or use in other application may cause damage to equipment or personal injury.
- Always disconnect power to the pool heat pump at the circuit breaker before servicing the heat pump. Failure to do so could result in death or serious injury to serviceman, pool users, or others due to electric shock.
- All electrical wiring MUST be in conformance with all applicable local codes, regulations, and the National Electric Code® (NEC®).
- In accordance with the National Electric Code® (NEC®), this unit must be connected only to a supply circuit that is protected by a ground-fault circuit-interrupter (GFCI).
- To reduce the risk of electrical shock, replace any damaged cord immediately.

2. General Information

2.1 Introduction

This manual contains information for the proper installation and operation of the Black & Decker Heat Pump family. The instructions in this manual **MUST** be followed precisely.

2.2 Heat Pump Overview

The pool heat pump is a self-contained unit designed specifically for pool heating. Each component has been selected with care to achieve a high-quality product in an effort to exceed all industry standards.

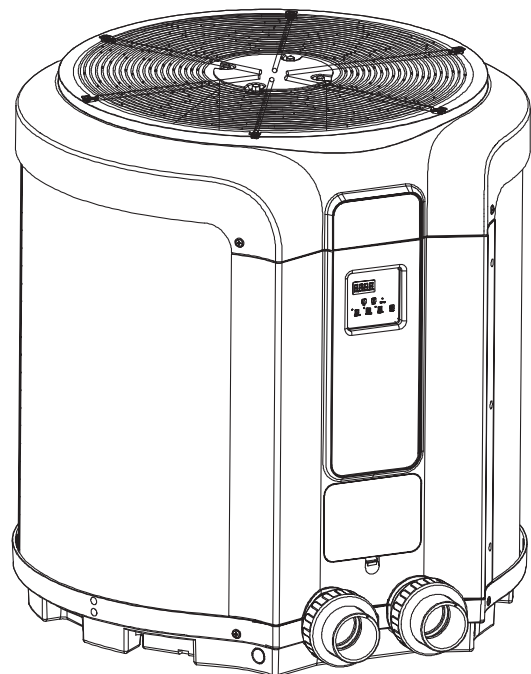
All pool heat pumps have an electronic board with service analyzer, a titanium heat exchanger tube warranted for 10 years against corrosion, and a PVC plastic cabinet that eliminates all maintenance for life. All components are of superior quality, which presents you with an effective heat pump.

Compared to other types of pool heaters, such as gas or oil-fired, the pool heat pump has a lower heating capacity on a BTU/hr basis. Therefore, it needs to operate for a longer time to accomplish the desired results. Occasionally, it may be necessary to run the heat pump for up to 24 hours per day. However, this should not be of concern to the owner because the heater is designed to operate continuously. What's more, despite continuous operation, it will still heat the pool far more economically than other types of heaters.

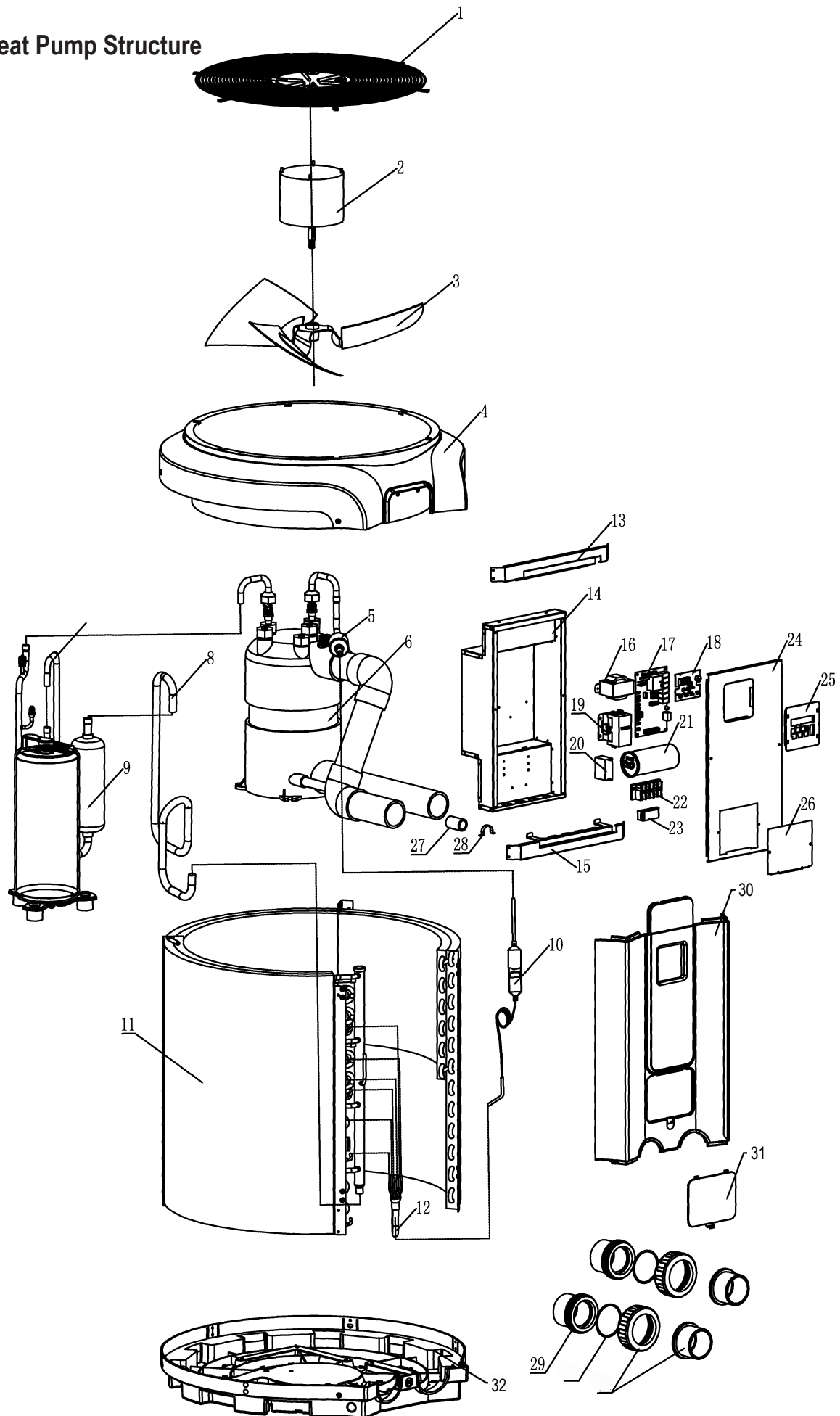
As with all pool heaters, you are advised to use a pool solar cover at night and when the pool is not in use. The pool solar cover should be used if night temperatures are 15° F less than desired pool temperature. This will keep evaporation, the greatest source of heat loss, to a minimum, thus greatly reducing the overall pool heating costs. During warmer weather, the pool cover may not be required.

General Features

- Utilizes Warm Ambient Air for Increased Efficiency
- BT Certified for Long-term Reliability
- Exclusive Self-Diagnostics to Keep Performance High
- Easy Programming Controls for Optimal Use
- Quiet Motor and Consumer-Friendly Installation
- Voltage: 208–230V
- For Above Ground and Inground Pool Use



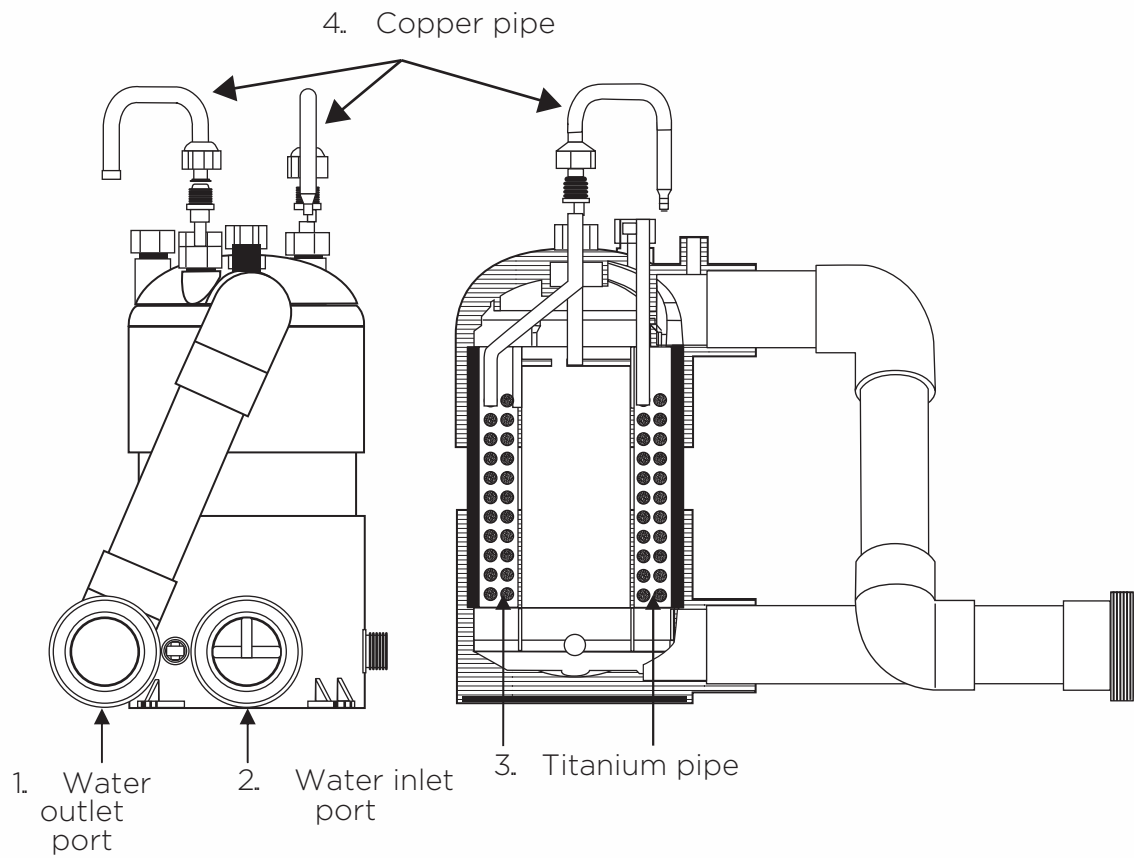
2.3 Heat Pump Structure



2.4 Heat Pump Components

No.	Model No.	DESCRIPTION
1, 2	BD 43397 BD 43400	Fan Grate Cover & Motor
3	BD 43419	Fan
4	BD 43478	Fan Frame
5	BD 43486	Filter Screen
6	BD 43540	Heat Exchanger
7	BD 42919	Exhaust Pipe
8	BD 43311	Gas-returning
9	BD 43672	Compressor
10	BD 43680	Gas Filter Outlet
11	BD 43176	Evaporator
12	BD 44598	Liquid-distributor Stainless
13	BD 44555	Steel Plate Upper Electric
14	BD 44547	Control Box Stainless Steel
15	BD 44539	Plate Lower
16	BD 44520	Transformer
17	BD 44326	Main Board

No.	Model No.	DESCRIPTION
18	BD 44318	Wire Controller
19	BD 43737	Contactor
20	BD 43761	Fan Motor Capacitor
21	BD 43796	Compressor Capacitor
22	BD 43826	Terminal Block
23	BD 43834	Bonding Block
24	BD 44105	Cover Plate
25	BD 44113	Digital Display Panel
26	BD 44121	Joint-box Cover
27	BD 44148	Pipe Joint
28	BD 44156	Pipe Clamp
29	BD 44172	Union Connection Set
30	BD 44180	Front Panel
31	BD 44199	Front Panel Cover
32	BD 44202	Base Plate



As the picture shows, the titanium exchanger refrigerant offers high resistance to excellent heat exchange.

No.	DESCRIPTION
1	Water Outlet Port
2	Water Inlet Port
3	Titanium Pipe
4	Copper Pipe

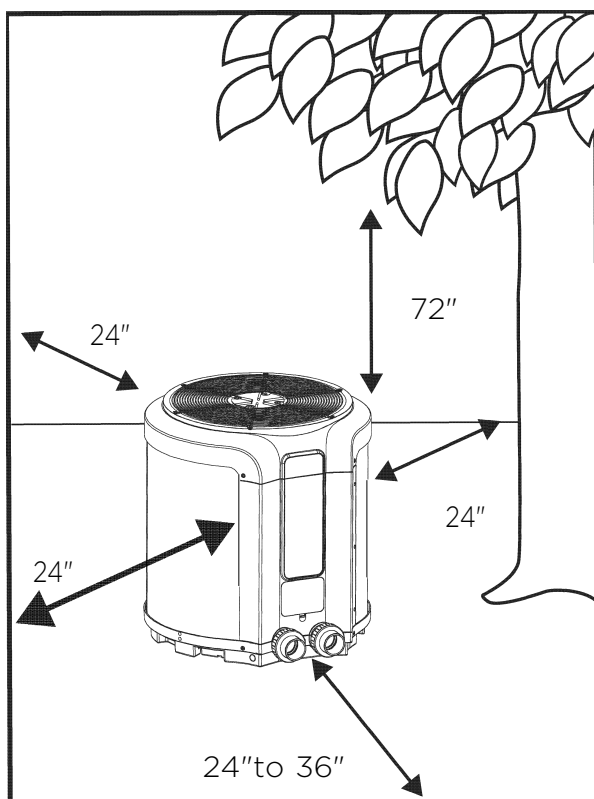
Fig. 2.1: Titanium Exchanger Components

3. Installation

3.1 Location

1. The placement of the pool heater is very important in keeping installation costs to a minimum while providing for maximum efficiency of operation, as well as allowing adequate access for service and maintenance.
2. The pool heat pump is designed for outdoor installation and should not be installed in a fully enclosed area, such as a shed, garage, etc. Recirculation of cold discharged air back into the evaporator coil will greatly reduce unit heating capacity and efficiency.
3. The unit should be located as close as practical to the existing pool pump and filter to minimize water piping. However, do not forget to provide a 24" clearance at the very least all around your heat pump. The use of 90 degree bends and short radius elbows in the water piping should be kept to a minimum.
4. Mount the unit on a sturdy base, preferably a concrete slab or a set of blocks. The base should be completely isolated from the building foundation wall to prevent the possibility of sound or vibration transmission into the building. The size of the base should not be less than the size of the heat pump.

Note: Air is pulled through the evaporator. Minimum clearance of 72 inches should be allowed above air discharge. The unit must not be installed under a porch. Any side of the unit should be located at least 24 inches from obstructions for a unrestricted air intake and service access.



3.2 Piping

1. The piping sequence is as follows: pool > pool pump > filter > heater > corrosion-resistant check valve > chemical feeder > pool. Automated chlorine distribution systems, if used, must be placed downstream of the heater to minimize harm to the pool equipment. Use rigid PVC piping if possible.
2. All joints should be glued with PVC glue. When the piping installation is complete, operate the pool pump and check the system for leaks. Then, check the filter pressure gauge to verify that there isn't any indication of excessive pump head pressure. You can also make the connections using high-pressure flexible hose, but make sure the hose can withstand high pressure.
3. The installation of a heat pump bypass is not necessary unless the water flow exceeds 75 GPM.

Note: Certain installations have valves which isolate the heat pump from the water circuit. If the heat exchanger is deprived of water circulation for several days, high chlorine gas could cause excessive corrosion. If the disconnect switch is turned off, be sure that the pool water is allowed to circulate through the unit, or is drained out of it.

3.3 Electrical Requirements

1. Install all equipment in accordance with the National Electrical code and all applicable local codes and ordinances.
2. The wiring of your pool heat pump should be performed by a qualified licensed electrician in accordance with local requirements. A properly-sized breaker and copper wire must be used. Check the heat pump data label for required maximum breaker size.
3. A means for disconnection must be incorporated in the fixed wiring in accordance with the wiring rules.

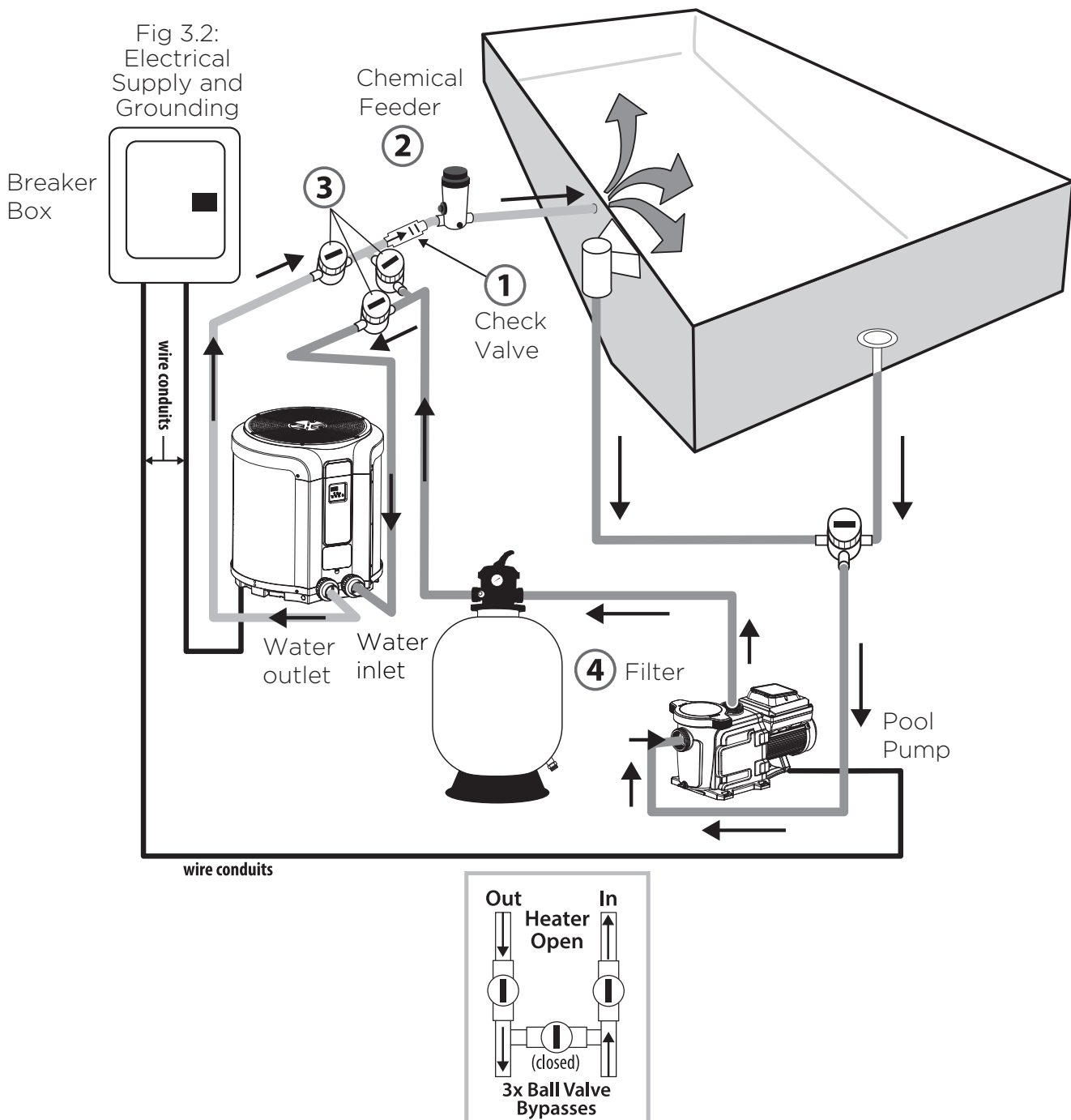
⚠ WARNING: Power to the unit, such as through a breaker or external switch, must be turned off before opening the access panel. Ensure that the unit has no power BEFORE opening the access panel for any reason.

3.4 Bonding

1. Because all metals have different electrical potentials, all metal and electrical components of the pool system must be bonded together. This includes the metal framework of the pool, the light, the pump, the filter (if made out of metal), the heater, any automatic chlorine generator, and any other metal or electrical equipment. On some older pools, this substructure bond wire may not exist. In these cases, a 6 to 8 foot solid copper rod must be driven into the ground near the equipment.
2. All electric and metal components must then be bonded to each other, and then to the copper rod. Contact a licensed electrician.

Note:

- A corrosion-resistant check valve is required for any installation into a system with a sanitizer plumbed in with the equipment. Failure to use a check valve that is corrosion-resistant may void any future warranty claims.
- Any kind of automatic chlorine distribution system must be installed after the heat pump.
- The filter must be placed before the heat pump.
- A 3x ball or 2x diverter valve bypass and shut-off should be installed on all systems for ease of service, maintenance and to balance the water flow. Bypasses must be installed on any system with over a 3/4 HP pool pump.



WARNING

RISK OF ELECTRICAL SHOCK OR ELECTROCUTION. The Electric Heat Pump must be installed by a licensed or certified electrician or a qualified service professional in accordance with the National Electrical Code and all applicable local codes and ordinances. Improper installation will create an electrical hazard which could result in death or serious injury to users, installers, or others due to electrical shock, and may also cause damage to property.

Always disconnect power to the heat pump at the circuit breaker before servicing the heat pump. Failure to do so could result in death or serious injury to service people, pool users, or others due to electric shock and/or property damage.

Read all servicing instructions before working on the pump.

3.5 Electrical Wiring

All electrical wiring **MUST** be in conformance with all applicable local codes, regulations, and the National Electric Code® (NEC®). Contact a qualified electrician if you cannot verify that the circuit is protected by a GFCI. The unit must be connected only to a supply circuit that is protected by a ground-fault circuit-interrupter (GFCI). Such a GFCI should be provided by the installer and should be tested on a routine basis. To test the GFCI, push the test button. The GFCI should interrupt power. Push the reset button. Power should be restored. The GFCI is defective if the GFCI fails to operate in this way. If the GFCI interrupts power to the pump without the test button being pushed, a ground current is flowing, indicating the possibility of an electric shock. Stop using this pump. Disconnect the pump and ask a qualified professional to correct the problem before using.

The pump accepts 230V, 50, or 60Hz single phase input power. The terminal block connections are capable of handling up to 12AWG solid or stranded wire. There are also fast-on type quick connectors, however, check the local electrical codes for the desired connection method. The connections must be permanently made to the grounding terminal (see Figure 4) in the field wiring compartment according to the local electrical code.

The drive will operate on 2-phase Line-Line-Ground electrical systems as well as Line-Neutral-Ground systems. This pump must be permanently connected by a circuit breaker as specified in the local electrical code.

To connect the electricity, you must unscrew the two screws under the front panel, then slide the electric cable through the knock out located on the left or the right side of the base, and then insert it in the control box.

WARNING: RISK OF ELECTRIC SHOCK.

1. Be sure all electrical breakers and switches are turned off before wiring motor. Always wait five (5) minutes after disconnecting the power from the pump before opening or servicing the drive.

2. Choose a wire size for the pump in accordance with the current National Electrical Code and all applicable local codes and ordinances. When in doubt use a heavier gauge (larger diameter) wire. Be sure the wiring voltage is within the operating range. Be sure all electrical connections are clean and tight.
3. Cut wires to the appropriate length so they do not overlap or touch when connected to the terminal board.
4. Use the correct wire size and type specified by the current National Electrical Code.

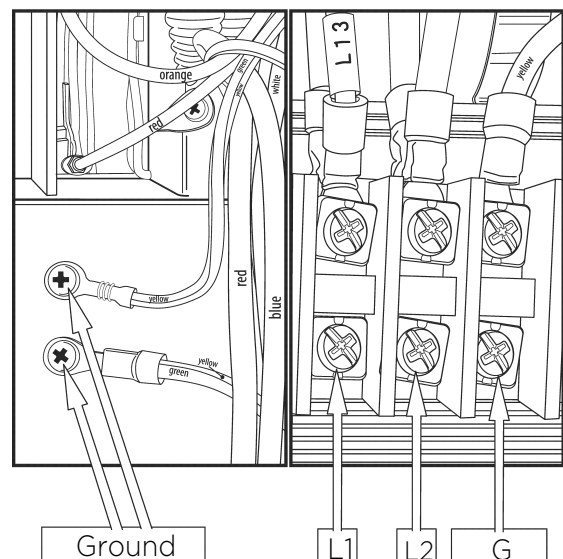


Fig. 3.3: Electrical Wiring

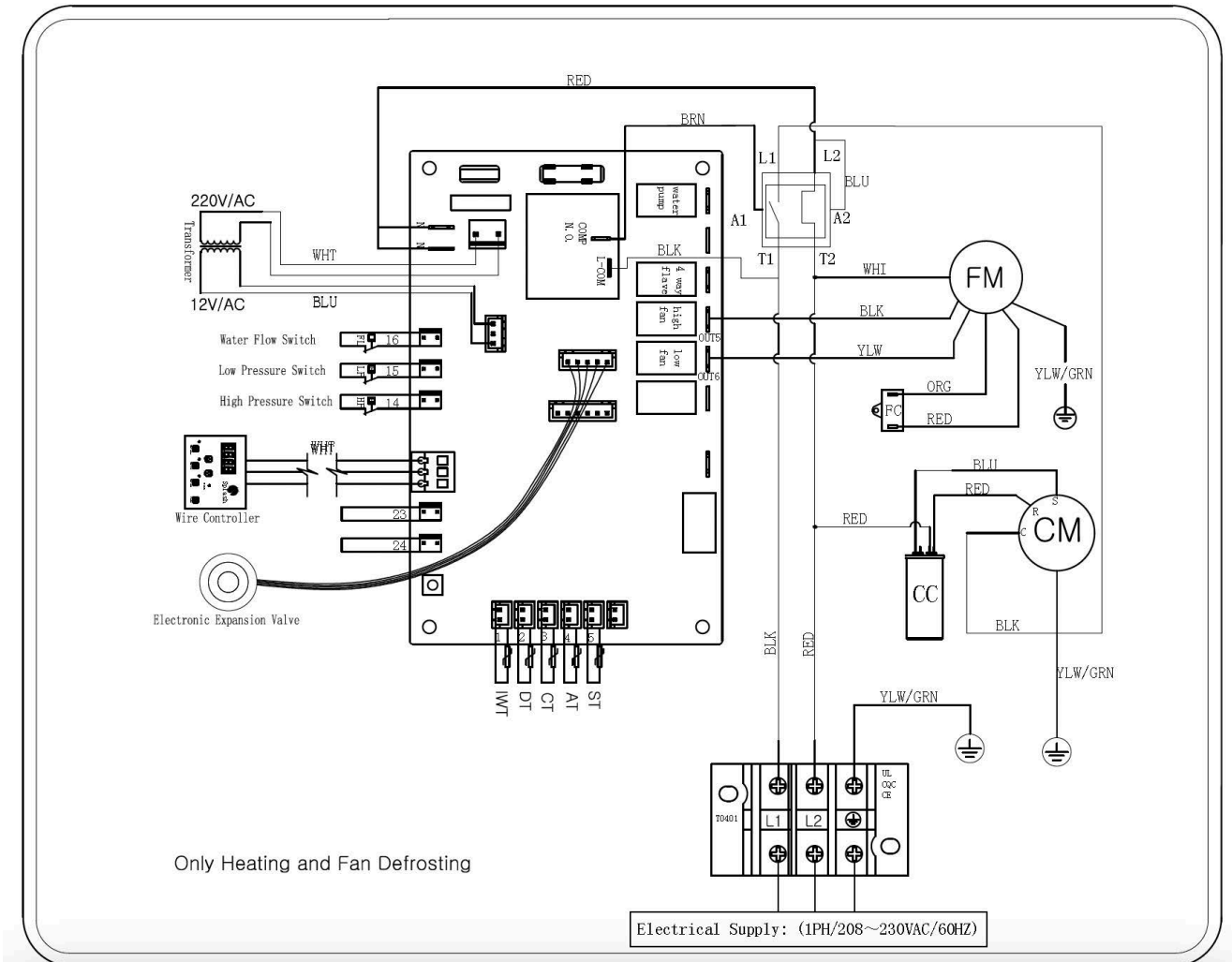


Fig. 3.4: Wiring Diagram

4. Operating the Pump

4.1 Control Panel Components

The control panel is factory set to display the temperature in Fahrenheit degrees, it can also be displayed as degree centigrade.

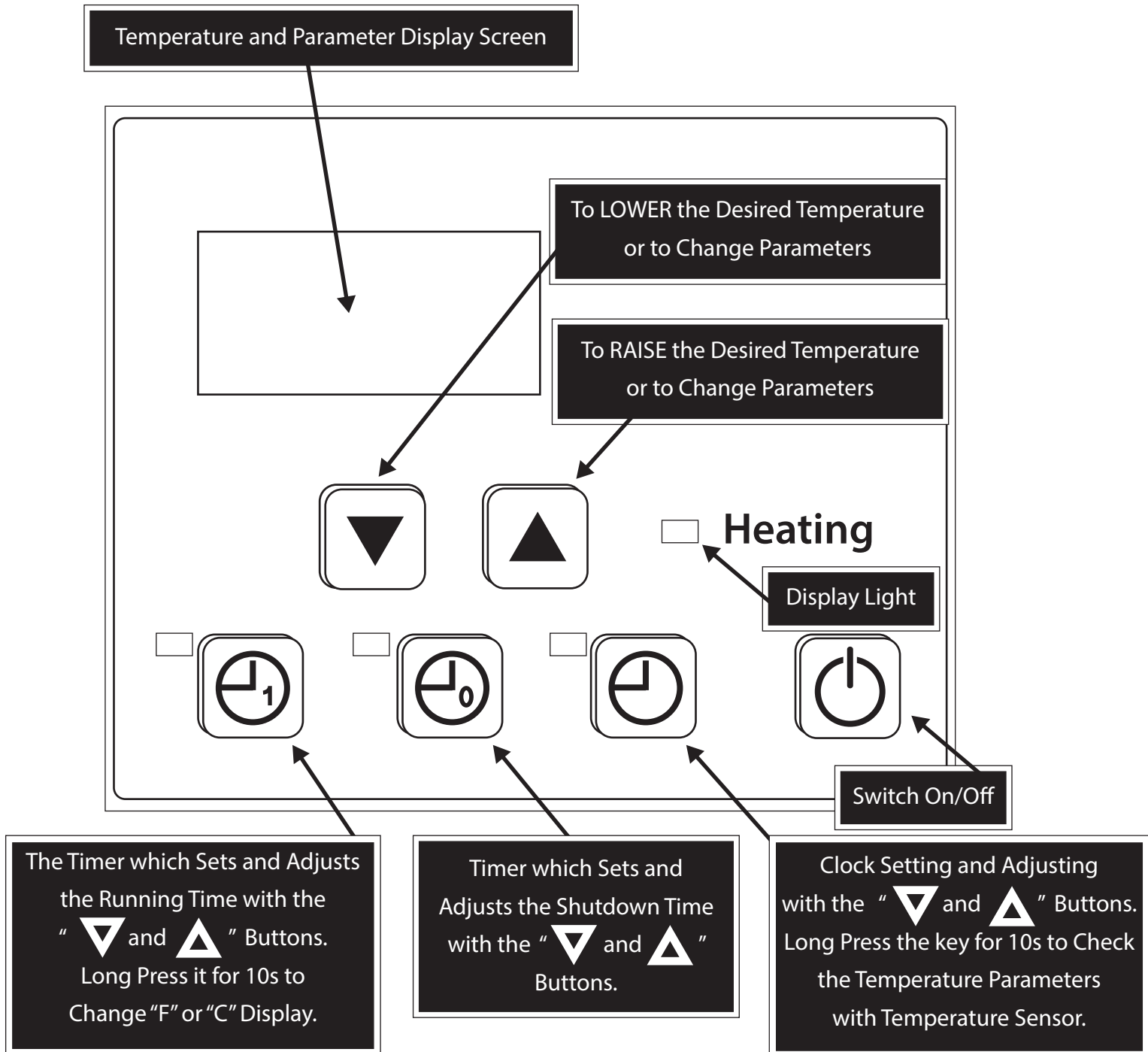
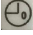


Fig 4.1: Panel Description

4.2 Parameters and Measure Value

Long press the  button for 10 seconds to examine the running parameters, change the item with the ^ and v buttons to check the measure value.

ITEM	DISPLAY	MEANING
0	0 ^{***}	Inlet Water Temperature
1	1 ^{***}	Discharge Temperature
2	2 ^{***}	Coil Temperature
3	3 ^{***}	Suction Temperature Ambient
4	4 ^{***}	Air Temperature
5	5 ^{***}	Valve Opening Degree

*** Displays the measure value

4.3 Operating Using the Control Panel

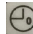
To Increase the Temperature:

Proceed as explained above using the up arrow (^) to increase the temperature setting 0.5 degree at a time.


To Lower the Temperature:

Proceed as explained above, using the down arrow (v) instead.

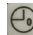
To Display the Temperature in °F or in °C:

Long press the  key for 10 seconds to switch.


To Set Running Time:

Press the  key to enter setting mode, adjusting the value with the up arrow key (^) and the down arrow key (v).

To Set Shutdown Time:

Press the  key to enter setting mode, adjusting the value with the up arrow key (^) and the down arrow key (v).

To Set the Clock:

Press the  key to enter setting mode, adjusting the value with the up arrow key (^) and the down arrow key (v).

4.4 Service Analyzer Codes

Most problems will be detected by the service analyzer and a code will be displayed on the digital display of your heater. The meaning of Display Codes are as follows:

CODE	DESCRIPTION
P1	Inlet Water Temp • Sensor Failure
P2	Discharge Temp • Sensor Failure
P3	Coil Temp • Sensor Failure
P4	Suction Temp • Sensor Failure
PS	Ambient Temp • Sensor Failure
P7	Ambient Temp • Too Low Protection
P8	Anti-freeze Protection
pg	Liquid Impact Protection
E1	Highest Pressure Fault
E2	Lowest Pressure Fault
E3	Water Flow Fault
E4	Power/Phase Fault
E6	Highest Temperature Fault
E8	Communication Fault

Fig. 4.2: Codes Meaning Table

4.5 Initial Startup

- Before starting the pool heater for the first time, it is important to verify that the breaker is in the ON position.
- Also make sure that the water circulates freely and that the pool pump is activated.
- Then, you will need to set the water temperature you desire. The fan will immediately start. The compressor will start after a 3 to 4 minute delay.
- When the compressor is running, the "heating" indicator located on the right (see "Service Analyzer Control," p. 13) should be lit. At initial startup, it is normal for the unit to run 24 hours a day.
- **It is also normal to see water dripping from the holes at the base of the unit. This is just condensation.**

5. Winterizing

- First, you must turn the breaker off. The unit must be drained of all its water. You will need to disconnect the IN and OUT water connections. Then the unit must be tilted or blown out with air until all water is out.
- The next step is to reconnect your IN and OUT water connections that will have previously been drained.
- It is recommended to cover the heat pump to prevent snow from getting inside. A protective winter cover is also offered by your retailer.

6. Service

6.1 Requesting Assistance or Service

- All service will be handled by an Authorized Service Center. Warranty may be voided if service is not done by an Authorized Service Representative. Do not return the heater to your dealer as they do not provide service.
- Before calling for assistance or service, please check the "Troubleshooting" (page 16) and "Warranty" (page 17) sections or call your dealer. It may save you the cost of a service call. If you still need help, follow the instructions below.
- When asking for help, please provide a detailed description of the problem, your heater's complete model and serial number, and the purchase date. This information will help us respond properly to your request.
- Keep a copy of the sales receipt showing the date of purchase. Proof of purchase will assure you warranty service.

7. Troubleshooting



WARNING

Diagnosing certain symptoms may require close interaction with, or in close proximity to, components that are energized with electricity. Contact with electricity can cause death, personal injury, or property damage. When troubleshooting the heat pump, diagnostics involving electricity should be cared for by a licensed professional.

Problem	Possible Cause	Corrective Action
The pool heater is not running.	Heat pump control set to OFF.	Turn the heat pump on.
	Desired water temperature is reached.	Unit will automatically restart when the water temperature goes below the set temperature.
	Main breaker is tripped.	Reset main breaker and restart heat pump.
	Filter is dirty, restricting the water flow.	Backwash and clean filter.
The fan is running, but the compressor is not.	Heat pump is in protection mode.	In this case, there may be a delay before restarting.
	The unit is on defrost cycle.	The compressor will automatically start again a few minutes until it has stopped three times continuously.
There is no display and the fan is not running, but the compressor is running.	Problem with power supply.	Ask your electrician to verify your heat pump's power supply by checking over the L1/L2/L3 connections in the unit's service box.
There is water around the unit.	While your pool heater is in the heating mode, a large quantity of warm and humid air passes over the evaporator and causes condensation. It is normal to see condensation dripping under the heater.	To check if the water really is a leak, you must stop the heater and leave the pool pump running for over 5 hours. If water is still coming out of your heater after this period, call your dealer for service.
The heater is running but desired water temperature cannot be reached.	Heat loss is too much for heater.	Cover your pool as often as possible with solar cover.
	Evaporator restricted due to improper location.	Correct the location of the pool heater.
	Evaporator is dirty.	Clean it by running tap water over the coil without additional nozzle attachment. Do not use pressurized water as it can damage the coil and void warranty.
	Restricted water flow.	Adjust water flow. Check bypass.

If your pool heater does not operate for reasons other than those mentioned above, please contact Consumer Assistance Center to obtain the proper authorization for the warranty to apply.

8. Limited Warranty

Service Information

The Pump Service Center is staffed with trained personnel to provide customers with efficient and reliable pool service. Whether you need technical advice, repair, or genuine factory replacement parts, contact the Pump Service Center. Call: (516) 796-2425 or visit service@blackanddecker-pool.com/warranty@blackanddecker-pool.com.

Blue Torrent Pool Products Limited Warranty

Limited Five-Year Warranty

Blue Torrent Pool products warrants this product to be free from defects in material or workmanship for a period of five (5) years following the date of purchase.

This limited warranty does not cover failures due to abuse, accidental damage, or when repairs have been made or attempted by anyone other than The Authorized Pump Service Centers.

A defective product meeting the guarantee conditions set forth herein will be replaced or repaired at no charge in either of two ways:

The first, which will result in exchanges only, is to return the product to the retailer from whom it was purchased (provided that the store is a participating retailer). Returns should be made within the time period of the retailer's policy for exchanges. Proof of purchase may be required.

Please check with the retailer for its specific return policy regarding time limits for returns or exchanges.

The second option is to take or send the product (prepaid) to the authorized Pump Service Center for repair or replacement at Blue Torrents Option option. Proof of purchase may be required.

Pump Service Center
(516)796-2425
1075 Hicksville Road
Seaford, NY 11783 USA
service@blackanddecker-pool.com
warranty@blackanddecker-pool.com

This limited warranty constitutes the entire warranty. No other warranties apply, expressed or implied. This warranty gives you specific legal rights and you may have other rights which vary from state to state. Should you have any questions, contact the manager of the Pump Service Center.

LATIN AMERICA: This warranty does not apply to products sold in Latin America. For products sold in Latin America, check country specific warranty information contained in the packaging, call the local company, or see the website for such information.

FREE WARNING LABEL REPLACEMENT: If your warning labels become illegible or are missing, call (516) 796-2425 for a free replacement.

Manufactured by Blue Torrent Pool Products

444 E 81ST ST
NEW YORK, NY 10028-5859

BLACK & DECKER, BLACK+DECKER, the BLACK & DECKER and BLACK+DECKER logos and product names and the orange and black color scheme are trademarks of The Black & Decker Corporation, used under license. All rights reserved.

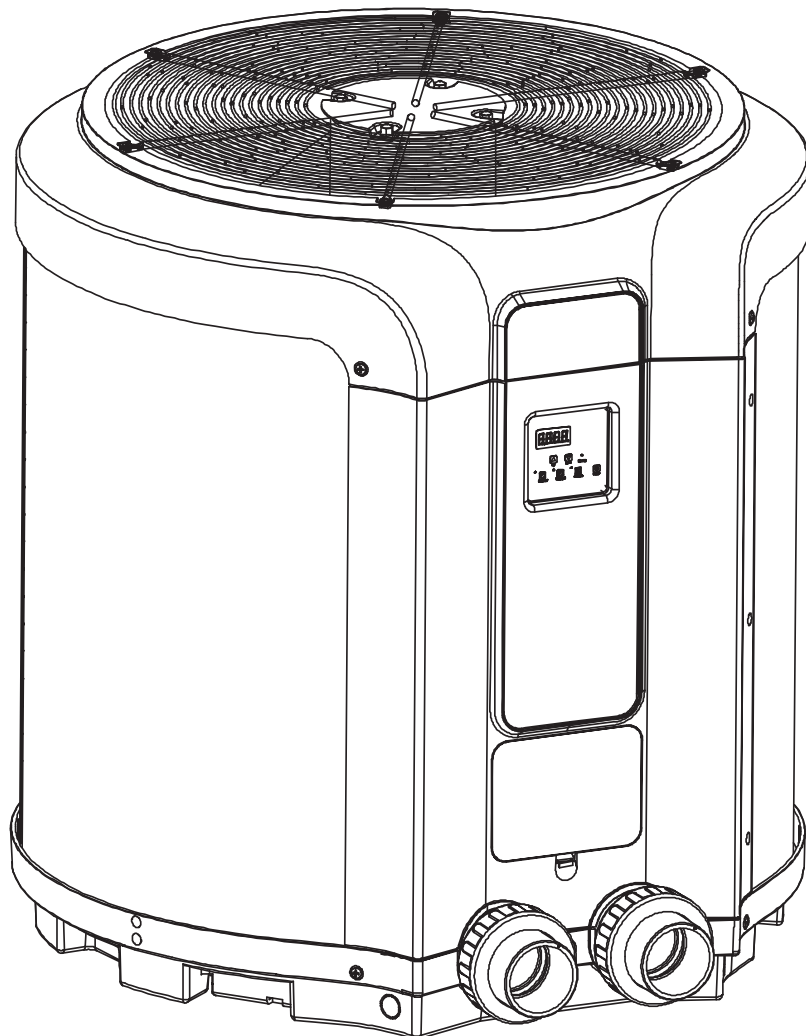
Patents/Protege/Patentes: www.blackanddecker.com/patents

© Copyright



**BOMBA DE CALOR
ELÉCTRICA MANUAL DE
INSTRUCCIONES**

**NÚMEROS DEL CATÁLOGO
BDXBT53**



Por favor, lea este manual antes de devolver el producto por cualquier motivo.

CONTENIDO

<p>1. Instrucciones importantes de seguridad 3</p> <p>2. Información general 4</p> <p>2.1 Introducción 4</p> <p>2.2 Resumen de la bomba de calor 4</p> <p>2.3 Estructura de la bomba de calor 5</p> <p>2.4 Elementos de la bomba de calor 6-7</p> <p>3. Instalación 8</p> <p>3.1 Ubicación 8</p> <p>3.2 Tuberías 8</p> <p>3.3 Requisitos eléctricos 8</p> <p>3.4 Unión 9</p> <p>3.5 Cableado eléctrico 10-11</p>	<p>4. Hacer funcionar la bomba 12</p> <p>4.1 Elementos del panel de control 12</p> <p>4.2 Parámetros y valor de medida 13</p> <p>4.3 Poner en funcionamiento utilizando el panel de control 13</p> <p>4.4 Códigos del analizador de servicio 14</p> <p>4.5 Primera puesta en marcha 15</p> <p>5. Preparación para el invierno 15</p> <p>6. Servicio técnico 15</p> <p>6.1 Solicitar asistencia o servicio técnico 15</p> <p>7. Solución de problemas 16</p> <p>8. Garantía limitada 17</p>
--	--

INFORMACIÓN DE REGISTRO DEL EQUIPO

FECHA DE INSTALACIÓN _____

INFORMACIÓN DEL INSTALADOR _____

NOTAS: _____

Definiciones: Símbolos y palabras de aviso de seguridad

Este manual de instrucciones utiliza los siguientes símbolos y palabras de aviso de seguridad para advertirle de situaciones peligrosas y del riesgo a lesiones personales o daños materiales.

⚠ PELIGRO: Indica una situación de peligro inminente que, si no se evita, **tendrá** como consecuencia **la muerte o lesiones graves**.

⚠ AVISO: Indica una situación potencialmente peligrosa que, si no se evita, **podría** tener como consecuencia **la muerte o lesiones graves**.

⚠ PRECAUCIÓN: Indica una situación potencialmente peligrosa que, si no se evita, **puede** tener como consecuencia **lesiones leves o moderadas**.

⚠ (Sin palabra): Indica un mensaje de seguridad.

NOTA: Indica una práctica **no relacionada con una lesión personal** que, si no se evita, **puede dar lugar a daños materiales**.

1. Instrucciones importantes de seguridad

Siempre se deben seguir las precauciones básicas de seguridad al utilizar aparatos eléctricos, entre las que se incluyen: LEER TODAS LAS INSTRUCCIONES ANTES DE UTILIZAR EL APARATO.

⚠ AVISO:

- Lea todas las advertencias de seguridad e instrucciones. No seguir las advertencias e instrucciones que se mencionan a continuación puede tener como consecuencia descargas eléctricas, incendios y/o lesiones graves.
- Para reducir el riesgo de sufrir lesiones, no permita que los niños utilicen o se suban a este producto.
- Una instalación inadecuada dará lugar a un riesgo eléctrico que podría causar la muerte o serias lesiones para los usuarios de piscinas, instaladores u otras personas, debido a una descarga eléctrica. También puede causar daños materiales.
- **Riesgo de descarga eléctrica.**
- Esta bomba de calor se utiliza con 230Vrms nominal y SOLAMENTE como bomba de calor para piscinas. La conexión al voltaje equivocado, o su uso en otra aplicación, puede causar daños al equipo o lesiones personales.
- Desconecte en todo momento el suministro eléctrico de la bomba de calor para piscinas en el interruptor antes de realizar ninguna reparación o mantenimiento en ella. De no hacerlo, podría tener como consecuencia la muerte o lesiones graves para el técnico, las personas que utilicen la piscina u otros por descarga eléctrica.
- Todo el cableado eléctrico DEBE estar en conformidad con todos los códigos locales correspondientes, regulaciones y el Código Eléctrico Nacional® (NEC®).
- De conformidad con el Código Eléctrico Nacional® (NEC®), esta unidad solo debe conectarse a un circuito de alimentación protegido por un interruptor de circuito por falla a tierra (GFCI).
- Para reducir el riesgo de descargas eléctricas, sustituya inmediatamente cualquier cable dañado.

2. Información general

2.1 Introducción

Este manual contiene información para la correcta instalación y el debido funcionamiento de las bombas de calor de Black & Decker. Las instrucciones de este manual DEBEN seguirse con precisión.

2.2 Resumen de la bomba de calor

Esta bomba de calor para piscinas es una unidad autónoma diseñada especialmente para calentar las piscinas. Cada uno de sus elementos ha sido seleccionado cuidadosamente para lograr un producto de alta calidad a fin de superar todos los estándares de la industria.

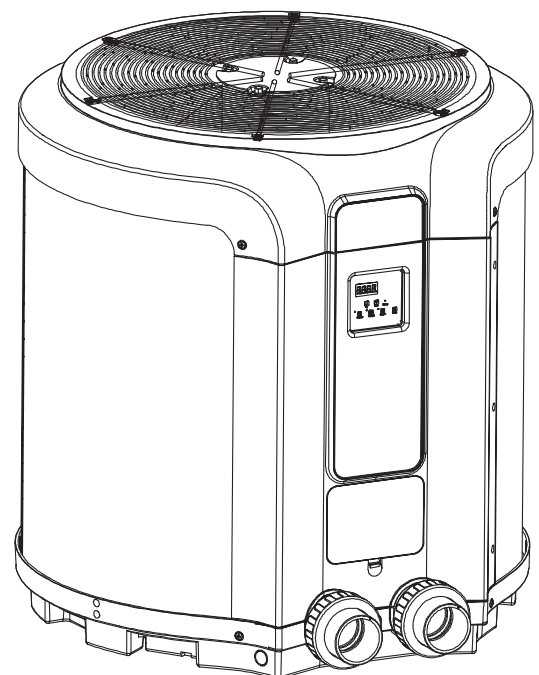
Todas las bombas de calor para piscinas cuentan con una placa electrónica con un analizador de servicio, un tubo de titanio intercambiador de calor con garantía de 10 años contra la corrosión y una carcasa de plástico de PVC que elimina todo mantenimiento de por vida. Todos los elementos son de alta calidad, lo cual le ofrece una bomba de calor eficaz.

En comparación con otros tipos de calentadores de piscinas, como los de gas o petróleo, la bomba de calor para piscinas tiene una capacidad para calentar menor en base a BTU/hora. Por ello, necesita funcionar durante más tiempo para conseguir los resultados deseados. De vez en cuando, tal vez sea necesario dejar funcionar la bomba de calor por hasta 24 horas en el mismo día. No obstante, esto no debería preocupar al propietario, ya que el calentador está diseñado para funcionar de forma continua. Por si fuera poco, a pesar del funcionamiento continuo, esta bomba de calor calentará la piscina de manera mucho más económica que otros calentadores.

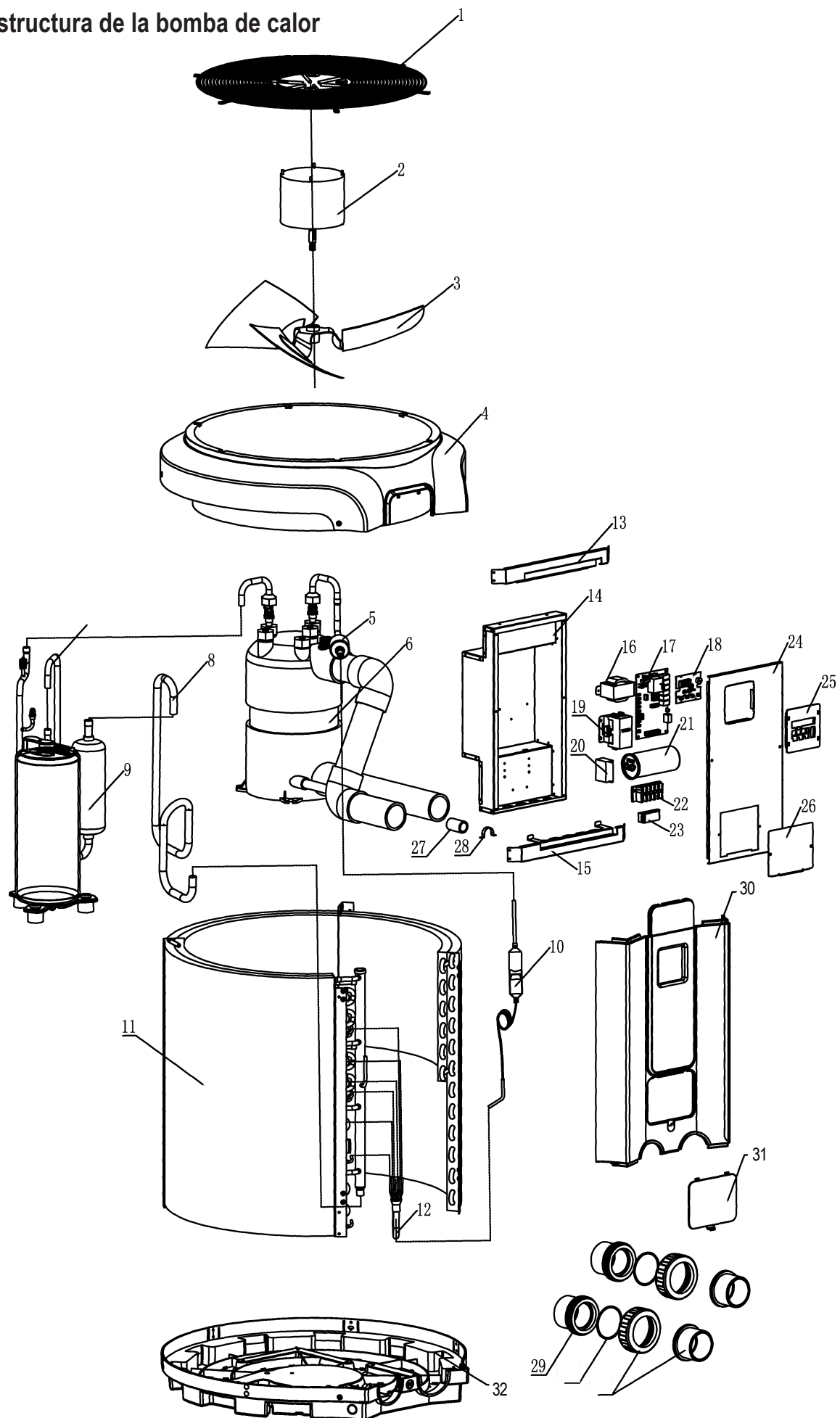
Como con cualquier otro calentador de piscina, se recomienda utilizar una cubierta solar para piscinas cuando no se esté utilizando o durante la noche. La cubierta solar debe utilizarse si las temperaturas nocturnas son 15° F menos que la temperatura deseada. Esto reducirá al mínimo la evaporación, la mayor fuente de pérdida de calor, lo cual reducirá considerablemente el coste de calentar la piscina. Cuando el clima esté más cálido puede que no sea necesario cubrir la piscina.

Características generales

- Utiliza el aire caliente del ambiente para aumentar la eficiencia
- Certificado BT de fiabilidad a largo plazo
- Autodiagnósticos exclusivos para mantener un alto rendimiento
- Controles de programación sencillos para un uso óptimo
- Motor silencioso e instalación pensada para el consumidor
- Voltaje: 208–230V
- Para el uso en la piscina por encima y por debajo de la tierra



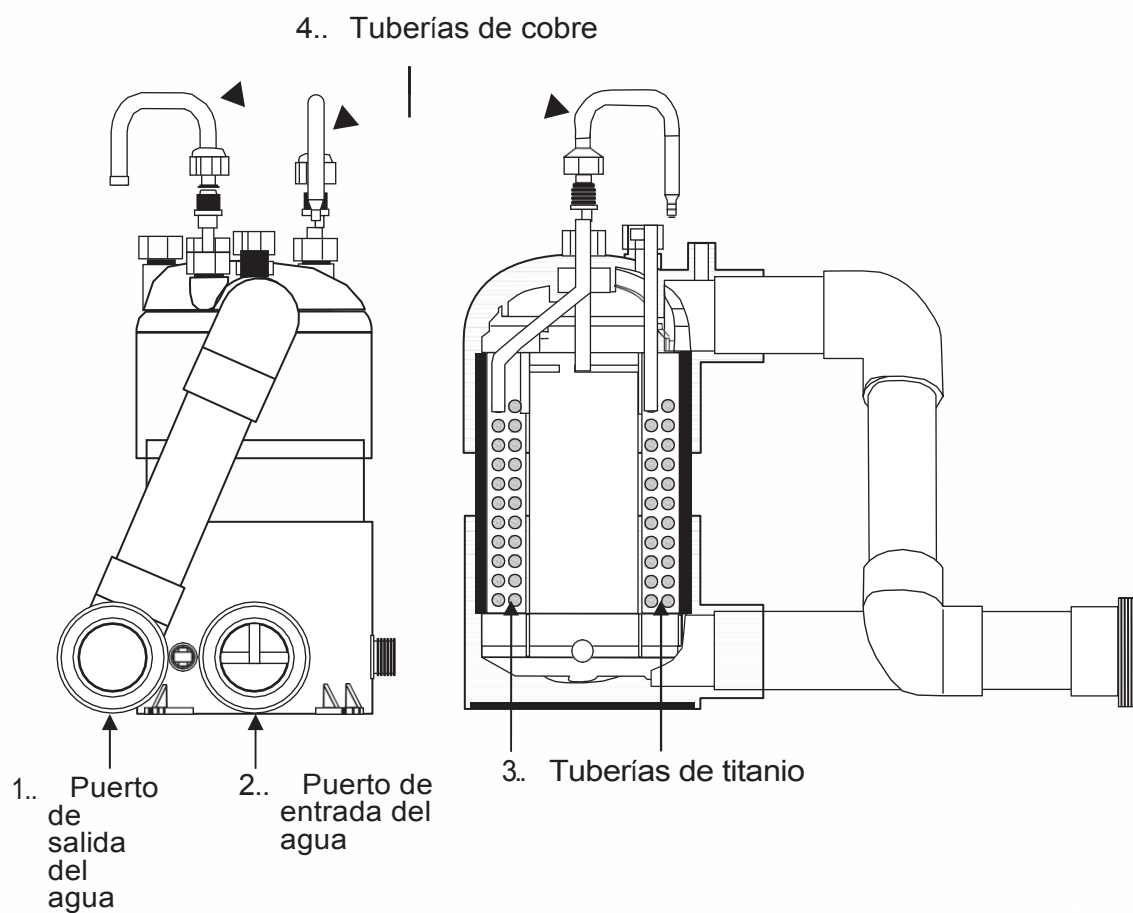
2.3 Estructura de la bomba de calor



2.4 Elementos de la bomba de calor

Nº	Nº Modelo	DESCRIPCIÓN
1,2	BD 42617 BD 42676	Cubierta de rejilla del ventilador y motor
3	BD 42730	Ventilador
4	BD 42889	Marco del ventilador
5	BD 42897	Pantalla de filtro
6	BD 42900	Escape del intercambiador de calor
7	BD 42919	Tubería
8	BD 07323	Regreso del gas
9	BD 44660	Compresor
10	BD 44636	Salida del filtro de gas
11	BD 44628	Evaporador
12	BD 44598	Distribuidor de líquidos inoxidable
13	BD 44555	Placa superior eléctrica de acero
14	BD 44547	Caja de control inoxidable
15	BD 44539	Placa inferior de acero
16	BD 44520	Transformador
17	BD 44326	Placa principal

Nº	Nº Modelo	DESCRIPCIÓN
18	BD 44318	Controlador de cable
19	BD 44059	Contactador
20	BD 44067	Condensador del motor del ventilador
21	BD 44075	Condensador del compresor
22	BD 44083	Bloque terminal
23	BD 44091	Enlazante
24	BD 44105	Placa protectora
25	BD 44113	Panel de visualización digital
26	BD 44121	Tapa de caja conjunta
27	BD 44148	Junta de tubería
28	BD 44156	Sujeción de tubería
29	BD 44172	Conjunto de conexión de unión
30	BD 44180	Panel frontal
31	BD 44199	Tapa del panel frontal
32	BD 44202	Placa base



Como muestra la imagen, el refrigerante intercambiador de titanio aporta una alta resistencia al excelente intercambio térmico.

Nº	DESCRIPCIÓN
1	Puerto de salida del agua
2	Puerto de entrada del agua
3	Tuberías de titanio
4	Tuberías de cobre

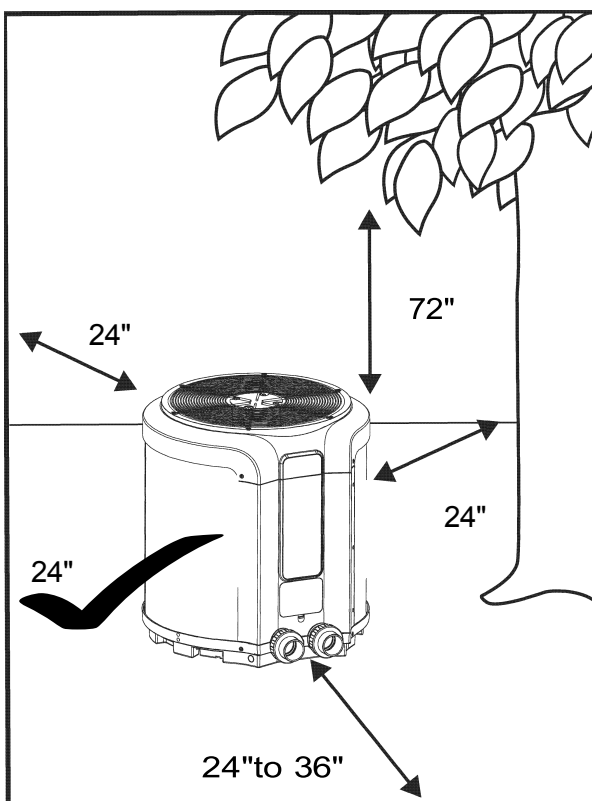
Fig. 2.1: Elementos del intercambiador de titanio

3. Instalación

3.1 Ubicación

1. El lugar donde se coloque el calentador de la piscina es muy importante para mantener los costes de instalación al mínimo, sin perder la máxima eficiencia y permitiendo el acceso para su servicio y mantenimiento.
2. La bomba de calor para piscinas está diseñada para ser instalada en exteriores, no debe instalarse en un lugar completamente cerrado, como por ejemplo una caseta, un garaje, etc. La recirculación del aire frío de vuelta a la bobina del evaporador reducirá considerablemente la capacidad de calentamiento de la unidad y su eficacia.
3. La unidad debe estar colocada lo más cerca posible de la bomba y el filtro de la piscina ya existentes con idea de reducir las tuberías de agua. No olvide dejar un espacio de al menos 24 pulgadas alrededor de la bomba de calor. Los pliegues de 90 grados y codos de corto radio deben reducirse al mínimo en las tuberías de agua.
4. Monte la unidad sobre una base sólida, preferiblemente sobre una losa de hormigón o un conjunto de bloques. La base debe estar completamente aislada de la pared de cimentación de la construcción para evitar la posibilidad de transmisión de sonido o vibraciones a la construcción. El tamaño de la base no debe ser menor al tamaño de la bomba de calor.

Nota: El aire pasa por el evaporador. Se debe permitir una distancia mínima de 72 pulgadas por encima de la descarga de aire. No debe instalarse la unidad bajo un porche. Los lados de la unidad deben estar situados al menos a 24 pulgadas de las obstrucciones para permitir la entrada de aire y el acceso para su mantenimiento.



3.2 Tuberías

1. La secuencia de las tuberías es la siguiente: piscina > bomba de la piscina > filtro > calentador > válvula de retención resistente a la corrosión > alimentador químico > piscina. En caso de utilizar sistemas automatizados de distribución de cloro, este debe colocarse aguas abajo del calentador para minimizar los daños al equipo de la piscina. Si es posible, utilice tuberías rígidas de PVC.
2. Todas las juntas deben pegarse con pegamento para PVC. Cuando haya finalizado con la instalación de tuberías, accione la bomba de la piscina y compruebe si hay alguna fuga en el sistema. A continuación, compruebe el manómetro del filtro para verificar que no hay indicios de presión excesiva en el cabezal de la bomba. También puede enlazar utilizando un tubo flexible de alta presión. En este caso, asegúrese de que el tubo pueda soportar altas presiones.
3. No es necesario instalar un bypass para la bomba de calor a menos que el flujo de agua supere los 75 GPM.

Nota: Algunas instalaciones cuentan con válvulas que aíslan la bomba de calor del circuito de agua. Si el intercambiador de calor se ve privado de la circulación de agua durante varios días, el gas alto en cloro podría provocar una corrosión excesiva. Si el interruptor de desconexión se encuentra apagado, asegúrese de permitir que el agua de la piscina circule a través de la unidad o se drene fuera de ella.

3.3 Requisitos eléctricos

1. Instale todo el equipo de conformidad con el Código Eléctrico Nacional y todos los códigos y ordenanzas locales correspondientes.
2. La instalación eléctrica de la bomba de calor para piscinas debe llevarse a cabo por un electricista cualificado que cuente con una licencia de acuerdo con los requisitos locales. Se debe utilizar un interruptor de tamaño apropiado y un cable de cobre. Compruebe la etiqueta de información de la bomba de calor para saber el tamaño máximo del interruptor.
3. En el cableado fijo deberá incorporarse un medio de desconexión de acuerdo con las normas de cableado.

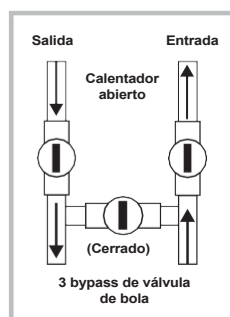
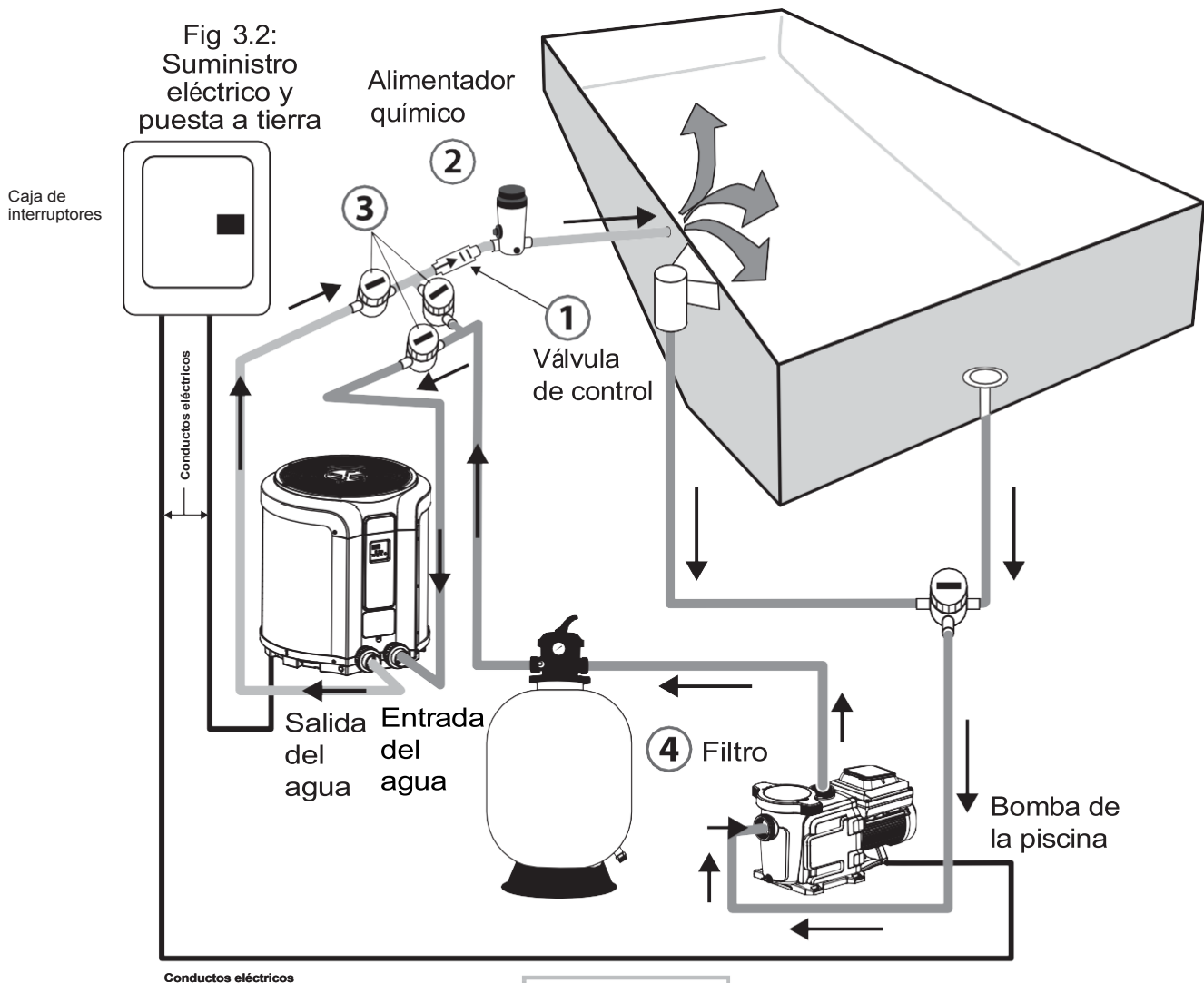
⚠ AVISO: La alimentación de la unidad, por ejemplo a través de un disyuntor o un interruptor externo, debe estar apagada antes de abrir el panel de acceso. Asegúrese de que la unidad no tiene energía ANTES de abrir el panel de acceso.

3.4 Unión

1. Dado que todos los metales tienen diferentes potenciales eléctricos, todos los componentes metálicos y eléctricos del sistema de la piscina deben estar unidos entre sí. Esto incluye el marco metálico de la piscina, la iluminación, la bomba, el filtro (si está hecho de metal), el calentador, el generador automático de cloro y cualquier otro equipo metálico o eléctrico. En algunas piscinas más antiguas, es posible que este alambre de conexión no exista. En estos casos, se debe introducir una varilla de cobre sólido de 6 a 8 pies en el suelo, cerca del equipo. En estos casos, se debe introducir una varilla de cobre sólido de 6 a 8 pies en el suelo, cerca del equipo.
2. Todos los componentes metálicos y eléctricos deben estar unidos entre sí, y posteriormente, a la varilla de cobre. Por favor, póngase en contacto con un electricista autorizado.

Nota:

- Se necesita una válvula de retención resistente a la corrosión para cualquier instalación en un sistema con un desinfectante conectado al equipo. La no utilización de una válvula de retención resistente a la corrosión puede anular cualquier futura reclamación de garantía.
- Cualquier sistema automático de distribución de cloro debe ser instalado después de la bomba de calor.
- El filtro debe colocarse antes de la bomba de calor.
- Se debe instalar 3 bypass de válvula de bola o 2 bypass de válvula de desvío en todos los sistemas para facilitar el servicio, el mantenimiento y equilibrar el flujo de agua. Los bypass deben instalarse en un sistema con más de una bomba de piscina de $\frac{3}{4}$ HP.



AVISO

RIESGO DE DESCARGA ELÉCTRICA O ELECTROCUCIÓN. La bomba de calor eléctrica debe ser instalada por un electricista autorizado o certificado, o por un profesional del servicio cualificado de acuerdo con el Código Eléctrico Nacional y con todos los códigos y ordenanzas locales correspondientes. Una instalación incorrecta causará un peligro eléctrico que podría tener como consecuencia la muerte o lesiones graves a usuarios, instaladores u otras personas por descarga eléctrica. También puede causar daños materiales.

Desconecte en todo momento el suministro eléctrico de la bomba de calor para piscinas en el interruptor antes de realizar ninguna reparación o mantenimiento en ella. De no hacerlo, podría tener como consecuencia la muerte o lesiones graves para los trabajadores, usuarios de la piscina u otras personas por descarga eléctrica o daños materiales.

Lea todas las instrucciones de mantenimiento antes de trabajar en la bomba.

3.5 Cableado eléctrico

Todo el cableado eléctrico DEBE estar en conformidad con los correspondientes códigos locales, regulaciones y el Código Eléctrico Nacional® (NEC®). Póngase en contacto con un electricista cualificado si no puede verificar que el circuito esté protegido por un interruptor de circuito por falla a tierra (GFCI). La unidad debe estar conectada solo a un circuito de alimentación protegido por un interruptor de circuito por falla a tierra. El instalador debe proporcionar un GFCI y debe probarse de manera habitual. Para poner a prueba el GFCI, presione el botón de prueba. El GFCI debe cortar la energía. Presione el botón de reinicio. La energía debe regresar. El GFCI se considera defectuoso si no funciona de esta manera. Si el GFCI corta la energía de la bomba sin que se haya presionado el botón de prueba, fluye una corriente de tierra que indica la posibilidad de descarga eléctrica. Deje de utilizar esa bomba. Desconecte la bomba y pida a un profesional cualificado que corrija el problema antes de utilizarla.

La bomba tolera una potencia de entrada monofásica de 230V, 50 o 60Hz. Las conexiones del bloque terminal son capaces de gestionar cables sólidos y trenzados 12AWG. También hay conectores de tipo rápido, no obstante, compruebe los códigos eléctricos locales para el método de conexión deseado. Las conexiones deben hacerse de manera permanente al terminal de puesta en tierra (véase Figura 4) en el compartimento de cableado de campo conforme al código eléctrico local.

La unidad funcionará en sistemas eléctricos Línea-Línea-Tierra de 2 fases, así como también en sistemas Línea-Neutro-Tierra. Esta bomba debe estar conectada permanentemente por un interruptor, tal como se especifica en el código eléctrico local.

Para conectar la electricidad, debe desenroscar los dos tornillos que se encuentran bajo el panel frontal. A continuación, deslizar el cable eléctrico por el knockout situado a la izquierda o a la derecha de la base y, por último, insertarlo en la caja de control.

AVISO: RIESGO DE DESCARGA ELÉCTRICA.

1. Asegúrese de que todos los interruptores estén apagados antes de cablear el motor. Espere siempre cinco (5) minutos tras desconectar la alimentación de la bomba antes de abrir o reparar la unidad.

2. Elija el tamaño de cable para la bomba según el Código Eléctrico Nacional vigente y todos los códigos y ordenanzas locales correspondientes. Si tiene alguna duda, utilice un cable de calibre más pesado (mayor diámetro). Asegúrese de que el voltaje del cableado esté dentro del rango de funcionamiento. Asegúrese de que todas las conexiones eléctricas estén ordenadas y ajustadas.
3. Corte los cables a la longitud adecuada para que no se solapen ni se toquen al conectarse a la placa terminal.
4. Utilice el tamaño y tipo de cable correcto especificado por el Código Eléctrico Nacional vigente.

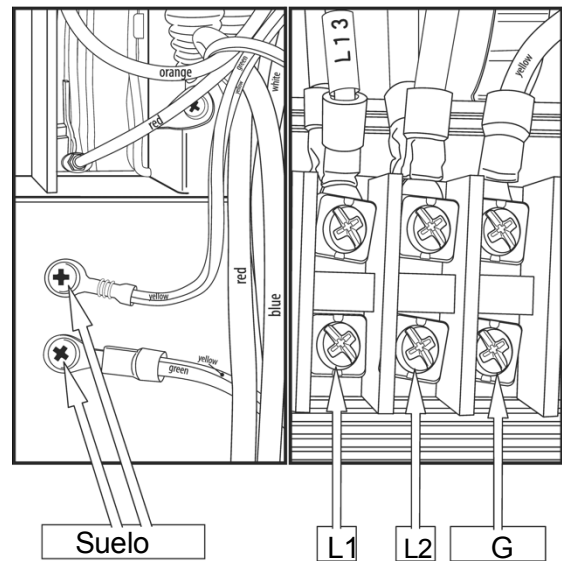


Fig. 3.3: Cableado eléctrico

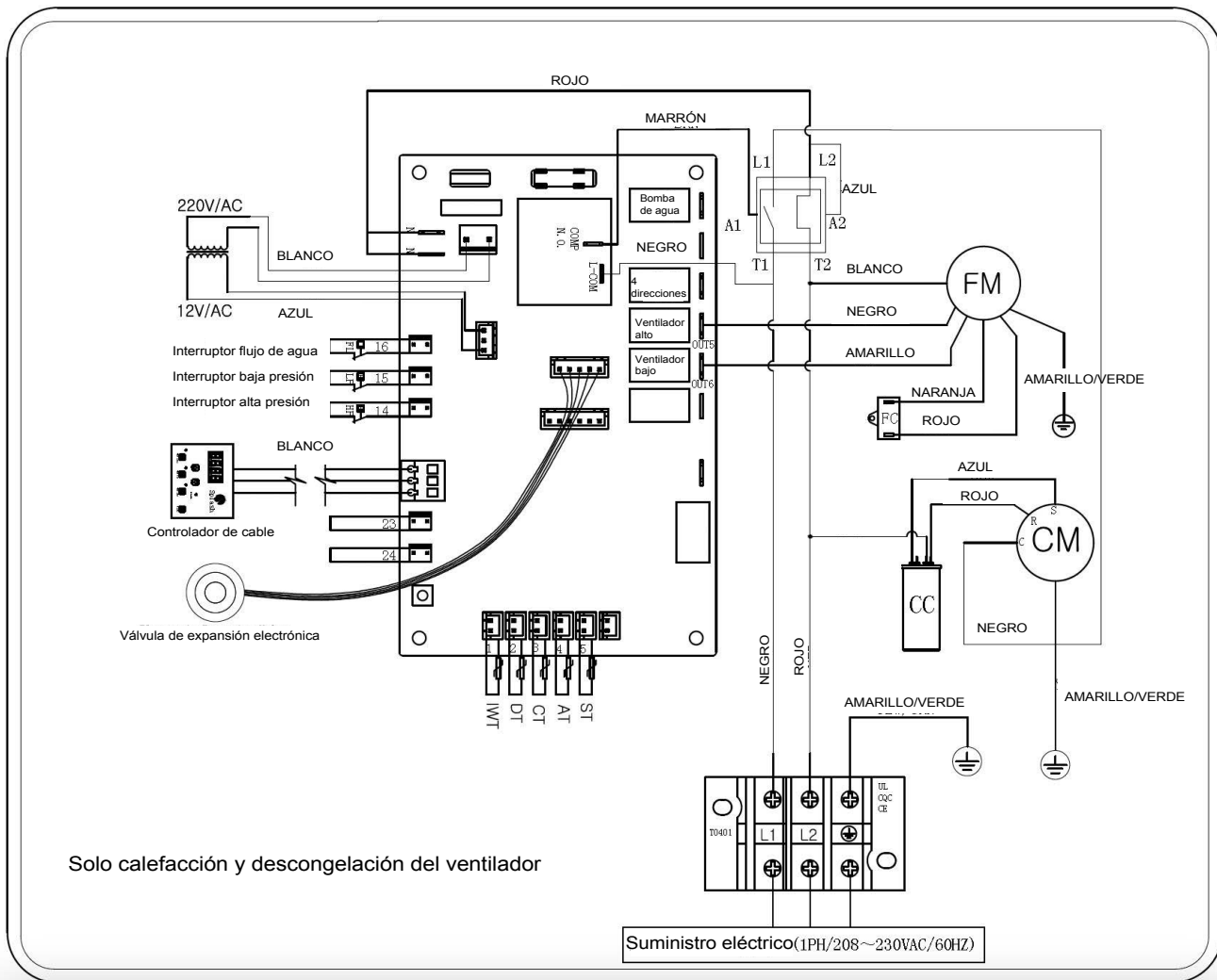


Fig. 3.4: Diagrama de cableado

4. Hacer funcionar la bomba

4.1 Elementos del panel de control

El panel de control está configurado de fábrica para mostrar la temperatura en grados Fahrenheit, pero también se puede configurar para mostrar grados centígrados.

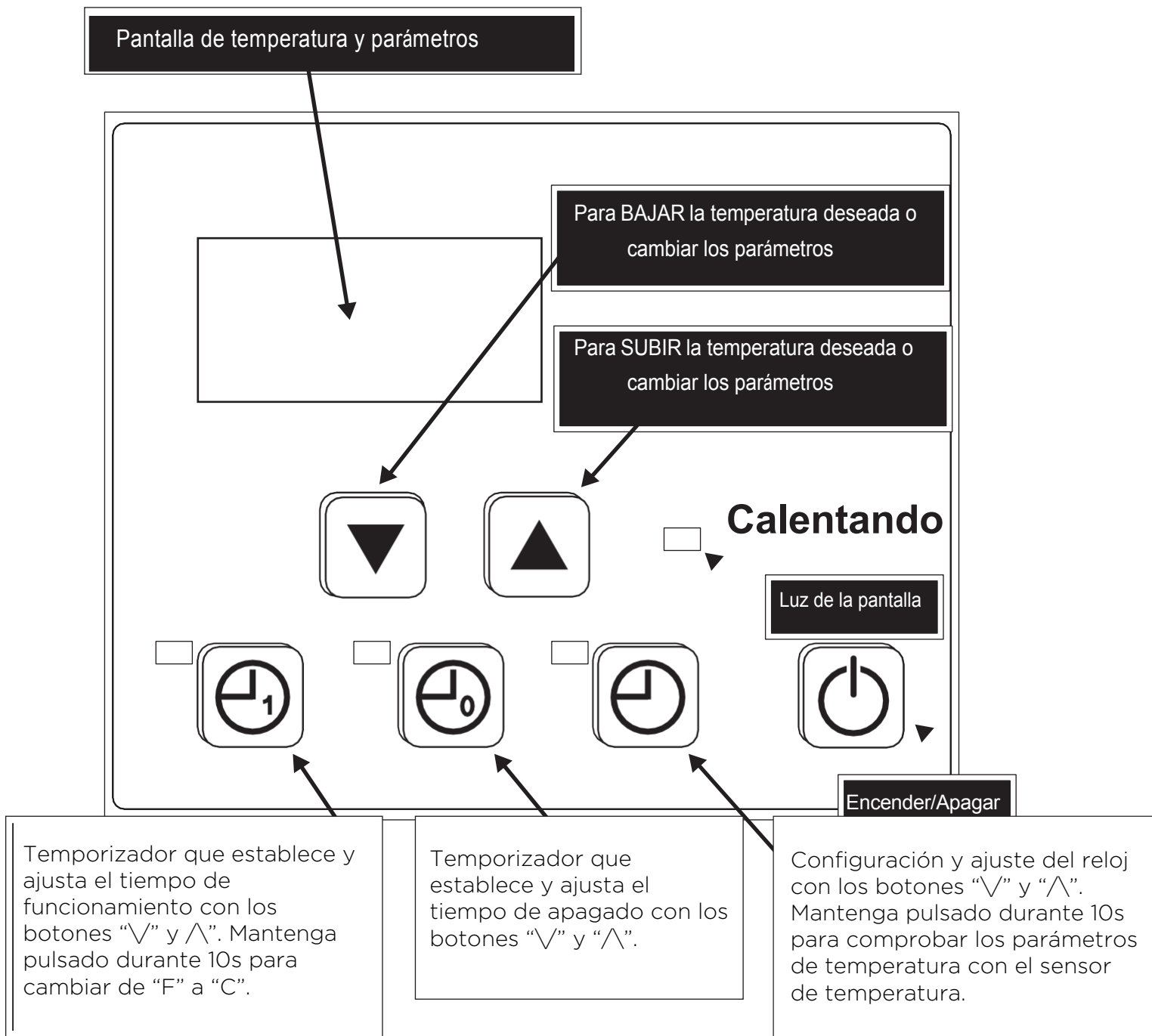
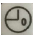


Fig 4.1: Descripción del panel

4.2 Parámetros y valor de medida

Mantenga pulsado el botón  durante 10 segundos para examinar los parámetros de funcionamiento, cambie el elemento con los botones \wedge y \vee para comprobar el valor de medición.

ELEMENTO	PANTALLA	SIGNIFICADO
0	0 ^{***}	Temperatura del agua de entrada
1	1 ^{***}	Temperatura de descarga
2	2 ^{***}	Temperatura de la bobina
3	3 ^{***}	Temperatura ambiente de succión
4	4 ^{***}	Temperatura del aire
5	5 ^{***}	Grado de apertura de la válvula

*** Muestra el valor de medición

4.3 Poner en funcionamiento utilizando el panel de control

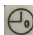
Para aumentar la temperatura:

Proceda como se explicó anteriormente utilizando la flecha hacia arriba (\wedge) para subir la temperatura 0,5 grados con cada pulsación.

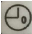
Para bajar la temperatura:

Proceda como se explicó anteriormente, pero esta vez utilizando la flecha hacia abajo (\vee).

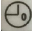
Para mostrar la temperatura en °F o en °C:

Mantenga pulsada la tecla  durante 10 segundos para cambiar.

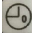
Para establecer el tiempo de funcionamiento:

Presione la tecla  para acceder al modo de configuración y ajuste el valor con la tecla de la flecha hacia arriba (\wedge) y la flecha hacia abajo (\vee).

Para establecer la hora de apagado:

Presione la tecla  para acceder al modo de configuración y ajuste el valor con la tecla de la flecha hacia arriba (\wedge) y la flecha hacia abajo (\vee).

Para configurar el reloj:

Presione la tecla  para acceder al modo de configuración y ajuste el valor con la tecla de la flecha hacia arriba (\wedge) y la flecha hacia abajo (\vee).

4.4 Códigos del analizador de servicio

El analizador detecta la mayoría de los problemas y muestra un código en la pantalla del calentador. El significado de los códigos que se muestran en la pantalla es el siguiente:

CÓDIGO	DESCRIPCIÓN
P1	Temperatura del agua de entrada • Fallo del sensor
P2	Temperatura de descarga • Fallo del sensor
P3	Temperatura de la bobina • Fallo del sensor
P4	Temperatura de succión • Fallo del sensor
PS	Temperatura ambiente • Fallo del sensor
P7	Temperatura ambiente • Protección demasiado baja
P8	Protección anticongelante
pg	Protección contra impactos líquidos
E1	Fallo de presión más alta
E2	Fallo de presión más baja
E3	Fallo de flujo de agua
E4	Fallo de potencia/fase
E6	Fallo de temperatura más alta
E8	Fallo de comunicación

Fig. 4.2: Tabla con el significado de los códigos

4.5 Primera puesta en marcha

- Es importante comprobar que el interruptor se encuentra en posición ON antes de iniciar el calentador por primera vez.
- Asegúrese también de que el agua circule con libertad y de que la bomba de la piscina esté activada.
- A continuación, tendrá que ajustar la temperatura del agua a la temperatura que desee. El ventilador comenzará a funcionar de manera inmediata. El compresor arrancará transcurridos 3-4 minutos.
- Cuando el compresor empieza a funcionar, debe encenderse el indicador "calentando" situado a la derecha (véase "Controles del analizador de servicio", p. 14). Es normal que la unidad funcione durante las 24 horas del día en la primera puesta en marcha.
- **También es normal ver agua goteando de los orificios en la base de la unidad. Esto es solo condensación.**

5. Preparación para el invierno

- En primer lugar, debe apagar el interruptor. Se debe drenar el agua de la unidad. Tendrá que desconectar las conexiones del agua IN y OUT. Seguidamente, se debe inclinar o soplar con aire la unidad para que saque toda el agua.
- El siguiente paso es reconectar las conexiones del agua IN y OUT que han sido drenadas previamente.
- Es recomendable cubrir la bomba de calor para evitar que la nieve acceda a ella. Su distribuidor puede ofrecerle una funda protectora para el invierno.

6. Servicio técnico

6.1 Solicitar asistencia o servicio técnico

- Todos los servicios serán gestionados por un Centro de Asistencia Autorizado. La garantía podría ser inválida si no se solicita a un Representante de Asistencia Autorizado. No devuelva el calentador a su distribuidor, ya que no proporciona servicio técnico.
- Antes de solicitar ayuda o llamar al servicio técnico, por favor revise las secciones "Solución de problemas" (página 16) y "Garantía" (página 17) o llame a su distribuidor. Esto podría ahorrarle el costo de la llamada al servicio técnico. Si tras leer ambas secciones aún necesita ayuda, siga las instrucciones que se mencionan a continuación.
- Por favor, proporcione una descripción detallada del problema cuando solicite ayuda: el modelo completo de su calentador, el número de serie y la fecha de compra. Esta información nos permitirá responder adecuadamente a su solicitud.
- Guarde una copia del recibo de venta que muestre la fecha de compra. El comprobante de compra le garantizará el servicio de garantía.

7. Solución de problemas

**AVISO**

El diagnóstico de ciertos síntomas puede requerir una interacción estrecha con, o cerca de, componentes que se energizan con electricidad. El contacto con la electricidad puede causar la muerte, lesiones personales o daños materiales. A la hora de solucionar problemas de la bomba de calor, los diagnósticos que involucran electricidad deben ser atendidos por un profesional autorizado.

Problema	Posible causa	Acción correctiva
El calentador de la piscina no está funcionando.	El control de la bomba de calor está en OFF.	Encienda la bomba de calor.
	Se ha alcanzado la temperatura del agua deseada.	La unidad se reiniciará automáticamente cuando la temperatura del agua descienda por debajo de la establecida.
	El interruptor principal se ha disparado.	Restablezca el interruptor y reinicie la bomba de calor.
El calentador de la piscina no está funcionando.	El filtro está sucio y está limitando el flujo de agua.	Enjuague y limpie el filtro.
	La bomba de calor se encuentra en modo protección.	En este caso, puede haber una demora antes de reiniciarse.
El ventilador está funcionando, pero el compresor no.	La unidad está en el ciclo de descongelación.	El compresor se reiniciará automáticamente unos minutos hasta detenerse tres veces seguidas.
La pantalla no muestra nada, pero el ventilador no está funcionando mientras que el compresor sí.	Problema con la fuente de alimentación.	Pídale a su electricista que verifique la fuente de alimentación de su bomba de calor comprobando las conexiones L1/L2/L3 en la caja de servicio de la unidad.
Hay agua alrededor de la unidad.	Mientras el calentador de la piscina se encuentra en modo calefacción, una gran cantidad de aire caliente y húmedo pasa por el evaporador provocando condensación. Es normal ver esa condensación goteando bajo el calentador.	Para saber si el agua es realmente una fuga, debe detener el calentador y dejar la bomba de la piscina funcionando durante más de 5 horas. Si tras este periodo sigue saliendo agua de tu calentador, llame a su distribuidor para que el servicio técnico se encargue de ello.
El calentador está funcionando, pero no logra alcanzar la temperatura del agua deseada.	Demasiada pérdida de calor para el calentador.	Cubra su piscina siempre que sea posible con un cobertor solar.
	El evaporador está restringido debido a una ubicación inapropiada.	Corrija la ubicación del calentador de la piscina.
	El evaporador está sucio.	Límpielo dejando correr agua del grifo sobre la bobina sin el accesorio adicional de la boquilla. No utilice agua a presión, ya que podría dañar la bobina y anular la garantía.
	El flujo de agua está restringido.	Ajuste el flujo de agua. Compruebe el bypass.

Si su calentador de piscina no funciona por motivos distintos a los mencionados anteriormente, por favor póngase en contacto con el Centro de Asistencia al Consumidor para obtener la debida autorización y aplicar la garantía.

8. Garantía limitada

Información del servicio técnico

El servicio técnico de bombas cuenta con un personal capacitado para proporcionar a los clientes un servicio para piscinas eficiente y de confianza. Si necesita asesoramiento técnico, una reparación o piezas originales de fábrica de repuesto, no dude en comunicarse con el servicio técnico de bombas. Llame al (516) 796-2425 o visite service@blackanddecker-pool.com o warranty@blackanddecker-pool.com.

Garantía limitada de Blue Torrent Pool Products

Garantía limitada de cinco años

Blue Torrent Pool Products garantiza que este producto estará libre de defectos de material o fabricación durante un periodo de cinco (5) años desde la fecha de compra.

Esta garantía limitada no cubre fallos por abuso, daños accidentales o reparaciones realizadas, o intentadas, por cualquier persona que no pertenezca al servicio técnico autorizado de bombas.

Un producto defectuoso que cumpla con las condiciones de garantía establecidas en el presente documento será sustituido o reparado gratuitamente de cualquiera de las dos formas mencionadas a continuación:

La primera, que solo dará lugar a cambios, consiste en devolver el producto al minorista al que se lo compró (siempre y cuando la tienda sea un minorista afiliado). Las devoluciones deben realizarse en el plazo que establezca la política de cambios del minorista. Puede ser necesario un comprobante de compra.

Por favor, consulte con el minorista su política de devolución para conocer los plazos de devoluciones o cambios.

La segunda opción es llevar o enviar el producto (prepagado) a un centro técnico autorizado de bombas para su reparación o reemplazo en Blue Torrents Option. Puede ser necesario un comprobante de compra.

Servicio técnico de
bombas

(516)796-2425

1075 Hicksville Road

Seaford, NY 11783 USA

service@blackanddecker-pool.com

warranty@blackanddecker-pool.com

Esta garantía limitada constituye la garantía completa. No se aplican otras garantías, expresas o implícitas. Esta garantía le otorga derechos legales específicos y usted puede tener otros derechos que varían de un estado a otro. Si tiene alguna pregunta, póngase en contacto con el gerente del servicio técnico de bombas.

América Latina: Esta garantía no se aplica a los productos vendidos en América Latina. Para los productos que se han vendido en América Latina, debe comprobar la información de garantía concreta del país en el embalaje, llamar a la compañía local o consultar la página web para obtener dicha información.

SUSTITUCIÓN GRATUITA DE LA TARJETA DE ADVERTENCIA: Si su tarjeta de advertencia se vuelve ilegible o no está, llame al (516) 796-2425 para obtener otra de manera gratuita.

Fabricado por Blue Torrent Pool Products

444 E 81ST ST

NEW YORK, NY 10028-5859

BLACK & DECKER, BLACK+DECKER, el BLACK & DECKER y BLACK+DECKER logotipos, nombres de productos y estructura de colores naranja y negro son propiedad de The Black & Decker Corporation, utilizados bajo licencia. Todos los derechos reservados.

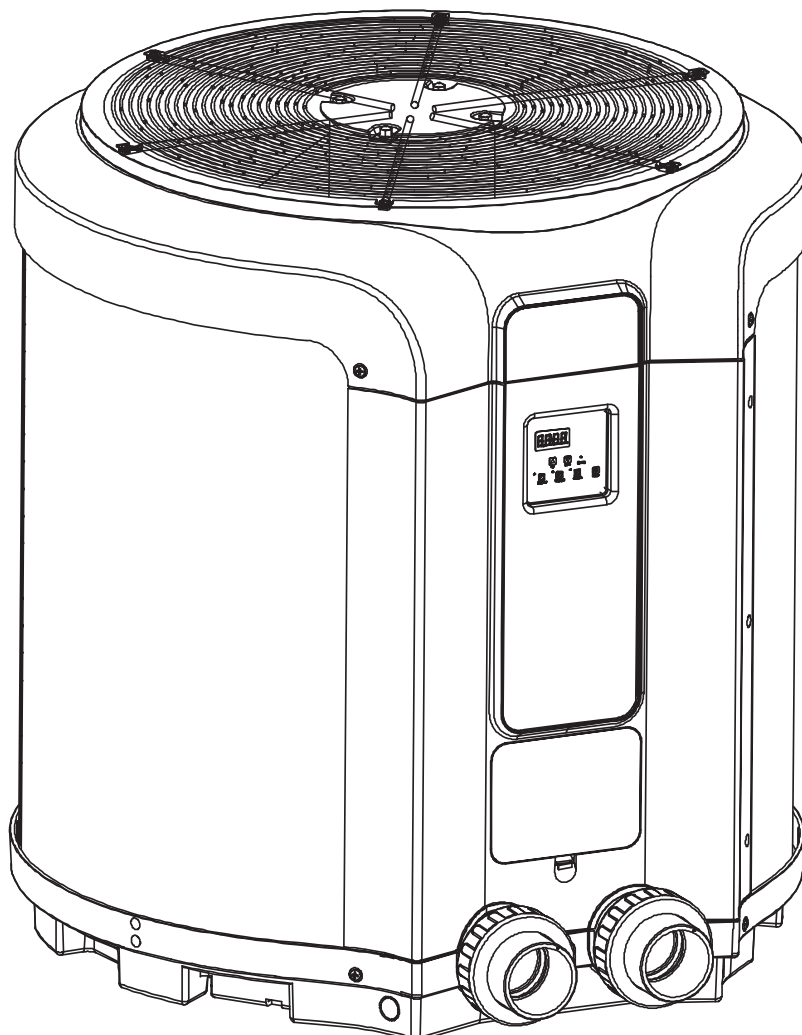
Patents/Protege/Patentes: www.blackanddecker.com/patents

© Copyright



**POMPÉ À CHALEUR MANUEL
D'INSTALLATION ET D'UTILISATION**

**NUMÉRO DE CATALOGUE
BDXBT53**



Veillez lire avant de retourner ce produit, quelle que soit la raison.

TABLE DES MATIÈRES

1. Instructions de sécurité importantes.....	3	4.Utiliser la pompe.....	12
2. Informations générales.....	4	4.1 Les parties du panneau de configuration.....	12
2.1 Introduction	4	4.2 Les paramètres et les chiffres.....	13
2.2 Un aperçu de la pompe à chaleur	4	4.3 Utiliser le panneau de configuration.....	13
2.3 La structure de la pompe à chaleur	5	Codes d'entretien.....	14
2.4 Les pièces de la pompe à chaleur.....	6-7	4.5 Initialisation.....	15
3. Installation.....	8	5. Hivernage.....	15
3.1 Emplacement	8	6. Entretien.....	15
3.2 Tuyauterie	8	6.1 Demander de l'entretien ou de l'aide.....	15
3.3 Exigences électriques.....	8	7. Dépannage.....	16
3.4 Liens.....	9	8. Garantie limitée.....	17
3.5 Câblage électrique.....	10-11		

NOTES SUR L'ÉQUIPEMENT





DATE D'INSTALLATION : _____

INSTALLATEUR : _____

NOTES : _____

Definitions : Les mots et les symboles de sécurité

Ce manuel utilise les mots et symboles de sécurité suivants pour vous avertir des situations dangereuses qui peuvent entraîner des risques de blessures ou des dommages matériels.

-  **DANGER** : Une situation dangereuse et imminente qui, sans intervention, entraînera la mort ou des blessures graves.
-  **AVERTISSEMENT** : Une situation potentiellement dangereuse qui, sans intervention, peut entraîner la mort ou des blessures graves.
-  **Attention** : Une situation potentiellement dangereuse qui, sans intervention, peut entraîner des blessures mineures ou modérées.
-  (Sans mot) : Un message sur la sécurité.

NOTICE : Une pratique qui ne se rapporte pas aux blessures, mais, sans intervention, peut entraîner des dommages matériels.

1. Les instructions de sécurité importantes

En utilisant les appareils électroniques, on doit toujours prendre les mesures de sécurité basiques, y compris les suivantes : LIRE TOUTES LES INSTRUCTIONS AVANT D'UTILISER L'APPAREIL.

AVERTISSEMENT :

- Lire toutes les avertissements de sécurité et les instructions. Si on manque de suivre les avertissements et les instructions, on peut entraîner une décharge électrique, un incendie et/ou des blessures graves.
- Pour réduire le risque de blessure, ne permet pas aux enfants d'utiliser ou de grimper ce produit.
- Une installation inadéquate va créer un risque électrique qui peut entraîner la mort ou des blessures graves pour les gens dans la piscine, ou d'autres, et peut aussi endommager la propriété.
- Le risque de décharge électrique.
- Cette pompe à chaleur est conçue pour 230 V_{rms} nominal, et seulement pour les applications dans une piscine. Brancher une mauvaise tension, ou l'utiliser dans une autre application peut endommager la propriété et les matériels, ainsi qu'entraîner des blessures.
- Débrancher toujours l'alimentation de la pompe à chaleur de la piscine au disjoncteur avant d'ajuster la pompe à chaleur. Sans ce débranchement, on peut entraîner la mort ou des blessures graves aux réparateurs et les gens qui utilisent la piscine, à cause des décharges électriques.
- IL FAUT que tout le câblage électrique respecte tous les règlements locaux et le Code national électrique® (NEC®).
- Suivant le Code national électrique® (NEC®), ne branchez cette unité qu'à une source protégée par un disjoncteur différentiel de fuite à la terre (DDFT).
- Pour réduire le risque de décharge électrique, remplacer tout câble endommagé sur le champ.

2. Informations générales

2.1 Introduction

Ce manuel contient des informations sur l'installation et l'opération propre de la pompe à chaleur Black & Decker. IL FAUT suivre précisément les instructions de ce manuel.

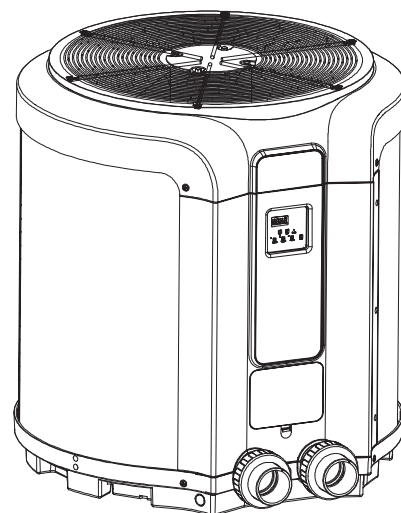
2.2 Un aperçu de la pompe à chaleur

Les pompes à chaleur pour piscines sont des unités autonomes conçues exprès pour chauffer les piscines. Toutes leurs pièces ont été soigneusement choisies pour vous livrer le meilleur produit qui dépasse tous les standards de l'industrie.

Toutes les pompes à chaleur possèdent un tableau électronique qui leur analyse la performance, un échangeur de chaleur en titane garantie contre la corrosion pendant 10 ans et un cabinet en PVC qui élimine toute maintenance à vie. Toutes les parties sont d'une qualité supérieure qui vous présente une pompe à chaleur très efficace.

En face des autres types de chauffe-piscine, tels que les pompes à chaleur qui utilisent du gaz ou de l'huile, cette pompe à chaleur en possède une capacité de chauffage inférieure (selon BTU/heure). Alors, il la faut une plus grande durée d'opération pour atteindre les résultats désirés. De temps en temps, il peut s'avérer nécessaire de faire fonctionner la pompe pendant 24 heures par jour. Cependant, cela ne doit pas inquiéter le propriétaire, parce que le chauffage est conçu pour fournir un chauffage continu. De plus, malgré le fonctionnement continu, elle va chauffer la piscine d'une manière beaucoup plus parcimonieuse que d'autres types de chauffages.

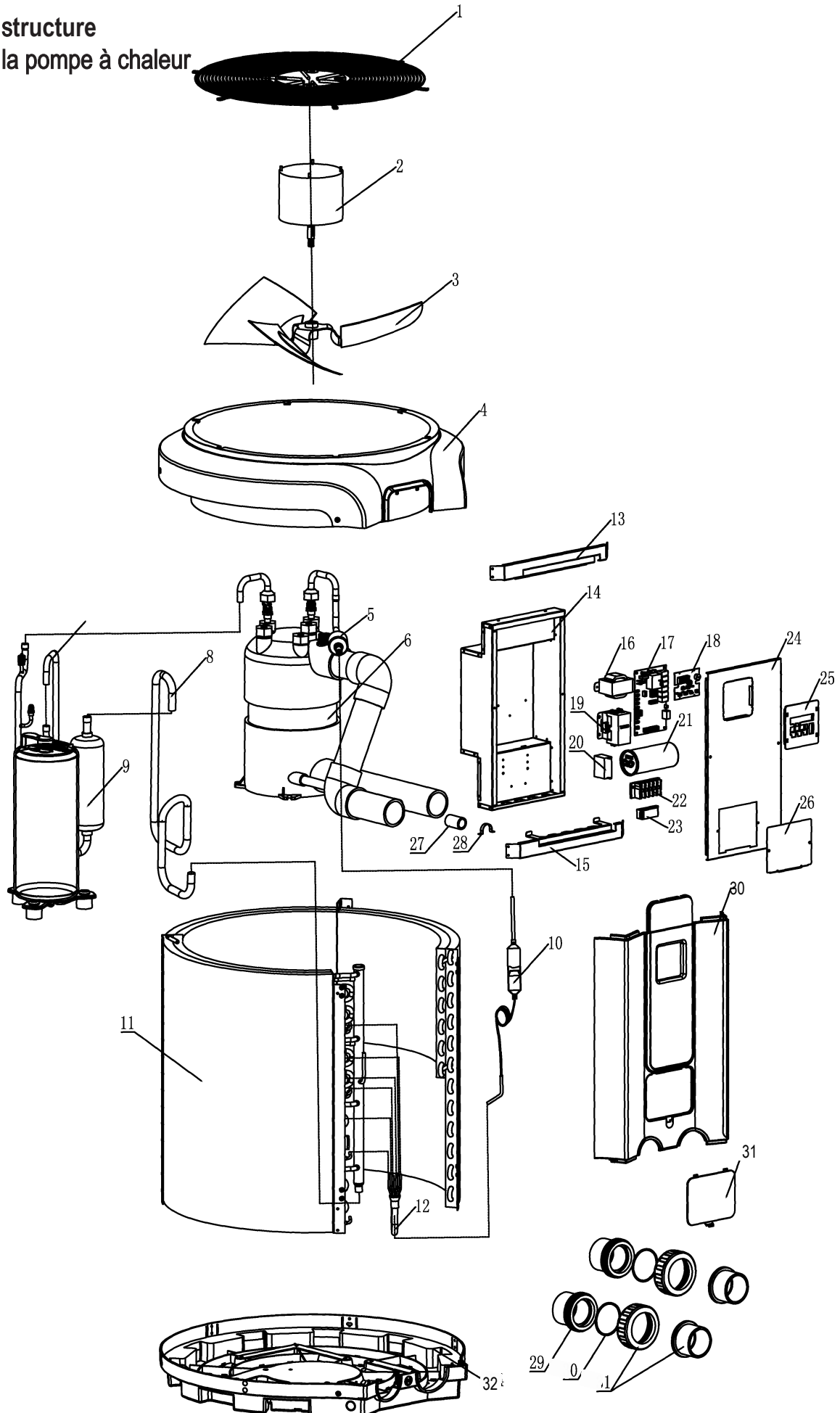
Comme avec tous les types de chauffe-piscine, on vous conseille à couvrir la piscine, les nuits où personne ne l'utilise. On doit couvrir la piscine si la température la nuit est plus de 15 °C de moins que la température désirée de la piscine. Cela va minimiser l'évaporation, la plus grande source de perte de chaleur, et ainsi réduire le prix du chauffage de la piscine. Aux temps chaud, le couvercle n'est peut-être pas nécessaire.



Caractéristiques générales

- Utiliser l'air ambiant chaud pour augmenter l'efficacité
- BT certifié pour une longue fiabilité
- Auto-diagnostic pour garder une performance optimale
- Des contrôles de programmation simples pour en faciliter l'usage
- Un moteur tranquille et une installation convenable aux consommateurs
- Tension : 208–230 V
- Pour piscines hors sol ou enterrées

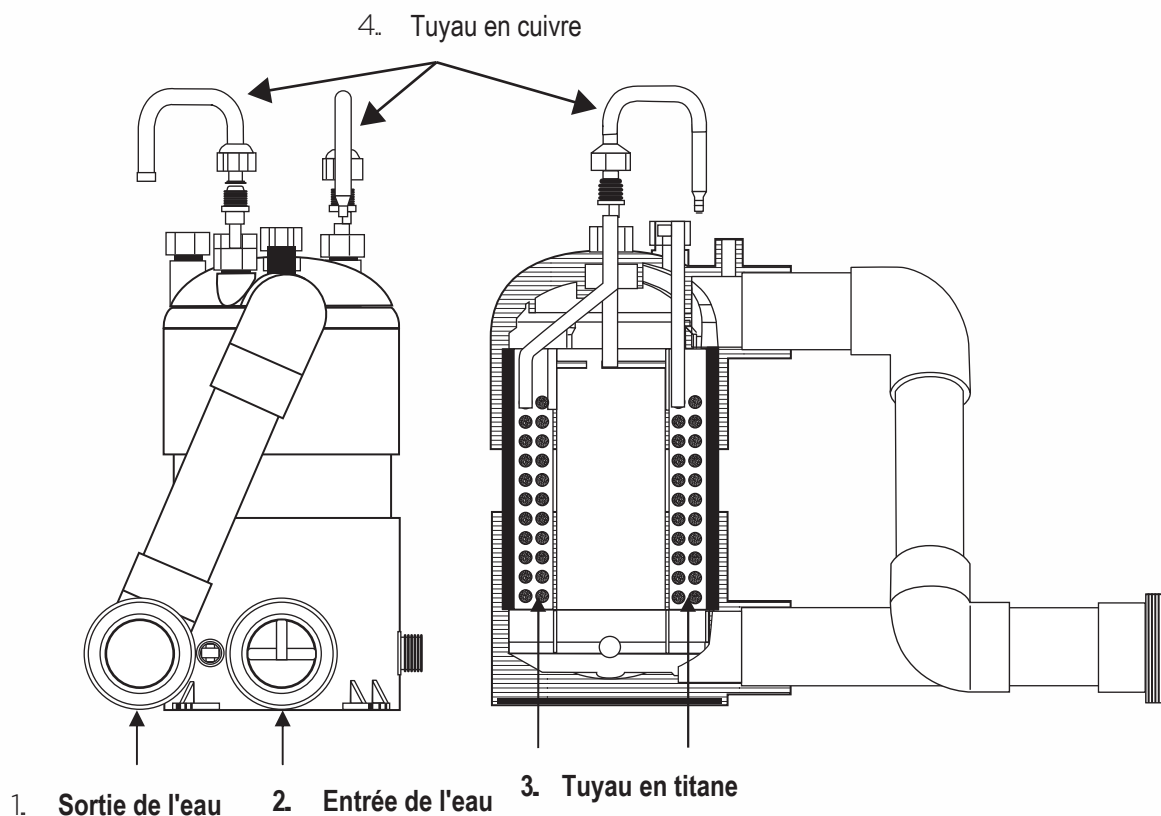
2.3 La structure de la pompe à chaleur



2.4 Les pièces de la pompe à chaleur

No.	Modèle	DESCRIPTION
1, 2	BD 42617 BD 42676	Grille du ventilateur/moteur
3	BD 42730	Ventilateur
4	BD 42889	Cadre du ventilateur
5	BD 42897	Filtre
6	BD 42900	Échappement
7	BD 42919	Tuyau
8	BD 07323	Gaz à retour
9	BD 44660	Compresseur
10	BD 44636	Sortie du filtre à gaz
11	BD 44628	Évaporateur
12	BD 44598	Distributeur de liquide
13	BD 44555	Plaque d'acier électrique
14	BD 44547	Commande électrique
15	BD 44539	Plaque d'acier inférieur
16	BD 44520	Transformateur
17	BD 44326	Circuit principal

No.	Modèle	DESCRIPTION
18	BD 44318	Contrôleur de fil
19	BD 44059	Contacteur
20	BD 44067	Condensateur du moteur
21	BD 44075	Condensateur compresseur
22	BD 44083	Bornier
23	BD 44091	Liaison
24	BD 44105	Couvercle
25	BD 44113	Affichage numérique
26	BD 44121	Couvercle
27	BD 44148	Joint de tuyau
28	BD 44156	Collier de serrage
29	BD 44172	Ensemble de connexions
30	BD 44180	Panneau avant Couvercle
31	BD 44199	avant
32	BD 44202	Plaque de base



Comme on voit dans l'image, l'échangeur de chaleur fournit un échange thermique excellent ainsi qu'une résilience exceptionnelle.

No.	DESCRIPTION
1	Sortie de l'eau
2	Entrée de l'eau
3	Tuyau en titane
4	Tuyau en cuivre

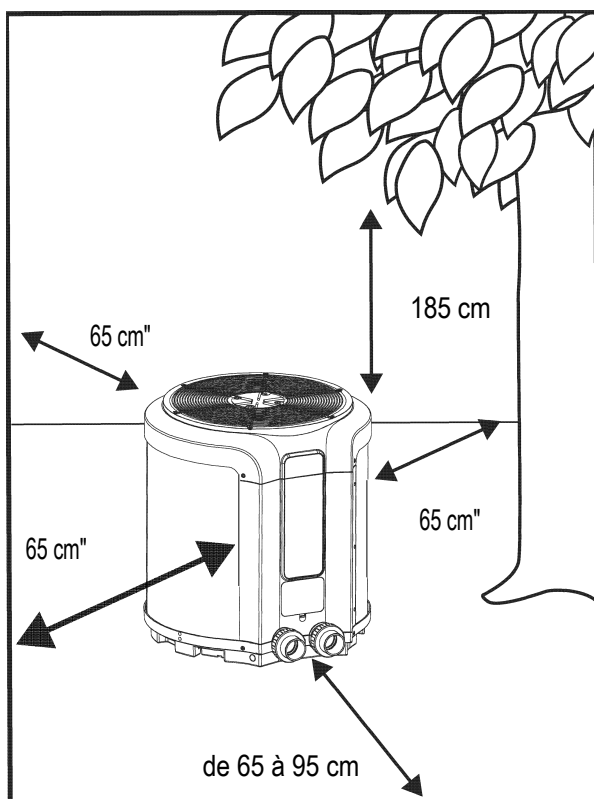
Fig. 2.1 : Les pièces de l'échangeur en titane

3. Installation

3.1 Emplacement

1. L'emplacement du chauffage est important pour minimiser les frais d'utilisation et maximiser l'efficacité, ainsi que permettre l'accès aux services et aux entretiens.
2. La pompe à chaleur est conçue pour être installée dehors, et on ne doit pas l'installer dans un endroit complètement clos, tel qu'une remise, un garage, etc. La recirculation de l'air froid échappé du moteur va en réduire grandement la capacité thermique et l'efficacité.
3. On doit installer l'unité aussi près de la pompe de piscine actuelle et le filtre afin de minimiser la tuyauterie. Pourtant, n'oubliez pas de fournir un dégagement de 65 cm complètement autour de la pompe à chaleur. On doit minimiser les liaisons à 90 degrés et les coudes à court rayon dans la tuyauterie.
4. Installez l'unité sur une base sûre, comme une dalle de béton ou un arrangement de blocs. La base doit être complètement isolée de la fondation du bâtiment afin d'empêcher la transmission de sons et de vibrations dans le bâtiment. La taille de la base doit excéder celle de la pompe à chaleur.

Note : On tire l'air à travers l'évaporateur et on doit prévoir un dégagement de 185 cm au-dessus de la décharge de l'air. N'installez pas cette unité sur un porche. Chaque côté de l'unité doit être au moins 65 cm de tout obstacle pour permettre une admission d'air libre et des accès aux services.



3.2 Tuyauterie

1. La séquence de la tuyauterie et la suivante : piscine > pompe de la piscine > filtre > chauffage > clapet antiretour résistant à la corrosion > alimentateur chimique > piscine. Les systèmes automatisés de distribution de chlore, si employés, doivent être en aval du chauffage pour minimiser le dommage sur l'équipement de la piscine. S'il est possible, utilisez une tuyauterie rigide en PVC.
2. Tous les joints doivent être collés avec de la colle à PVC. Quand l'installation de la tuyauterie est terminée, allumez la pompe de la piscine et vérifiez qu'il n'y a pas de fuites dans le système. Puis, vérifiez qu'il n'y a aucune indication de pression excessive de la pompe en lisant la jauge de pression. Vous pouvez aussi faire des connexions à un tuyau à haute pression, mais vérifiez que le tuyau peut supporter la pression élevée.
3. L'installation d'une dérivation de la pompe à chaleur n'est pas nécessaire sauf si le débit d'eau dépasse 75 GPM.

Note : Certaines installations ont des valves qui isolent le circuit de l'eau de la pompe à chaleur. S'il arrive que l'échangeur de chaleur soit privé de l'eau pendant quelques jours, le chlore gazeux peut causer de la corrosion excessive. Si le sectionneur est éteint, vérifiez qu'on laisse l'eau de la piscine passer à travers l'unité ou qu'il n'y a plus de l'eau.

3.3 Exigences électriques

1. Installez tout l'équipement en suivant le Code électrique national ainsi que tous les codes locaux et les ordonnances relevantes.
2. Le câblage de votre pompe à chaleur doit être installé par un électricien qualifié et autorisé selon les exigences locales. Il faut utiliser un disjoncteur d'une taille juste ainsi qu'un câblage en cuivre. Consulter le tableau de données pour la taille maximale exigée du disjoncteur.
3. On doit incorporer une moyenne à déconnecter au câblage fixé, selon les règlements du câblage.

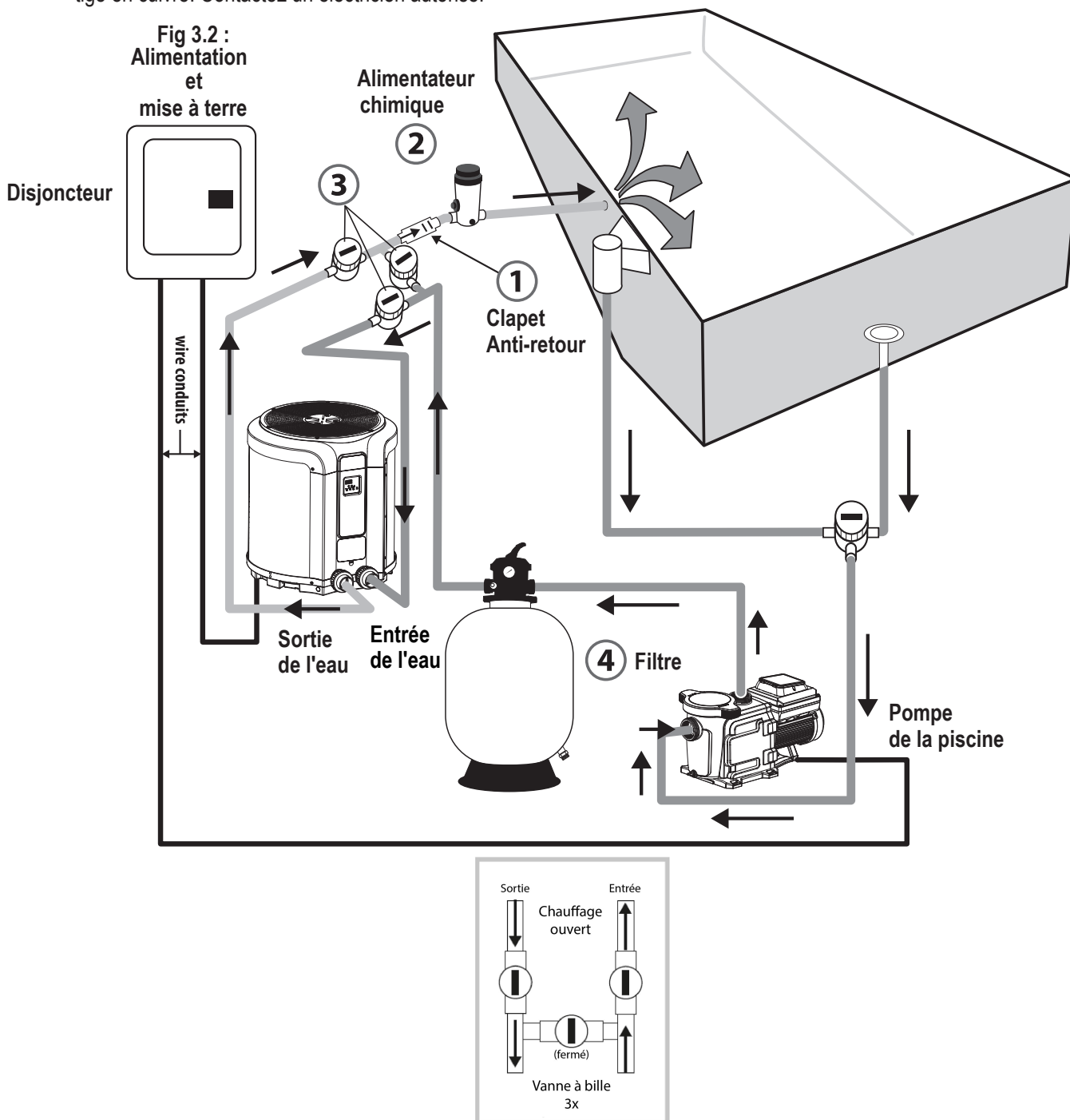
⚠ AVERTISSEMENT : Il faut débrancher l'alimentation de l'unité, venant d'un disjoncteur ou un interrupteur externe, avant d'ouvrir le panneau d'accès. Vérifiez que l'unité n'a pas d'alimentation AVANT d'ouvrir le panneau d'accès pour n'importe quelle raison.

3.4 Liens

1. Puisque tous les potentiels électriques des métaux différent, il faut lier toutes les pièces métalliques et électriques du système de la piscine, y compris le cadre métallique de la piscine, la lumière, la pompe, le filtre (s'il est métallique), le chauffage, tout générateur de chlore automatique et tout autre équipement métallique ou électrique. Dans les piscines vieilles, il se peut que ces liens entre la sous-structure n'existent pas. Alors, il faut enfoncer une tige en cuivre de 2 à 3 m dans le sol près de l'équipement.
2. Il faut donc lier toutes les pièces métalliques et électriques, les unes aux autres, et puis en lier tous à la tige en cuivre. Contactez un électricien autorisé.

Note :

- Il faut un clapet anti-retour résistant à la corrosion à tout système qui emploie un désinfectant raccordé à l'équipement. Un manque d'un clapet anti-retour peut annuler toute réclamation au titre de la garantie.
- On doit installer tout système de distribution de chlore après la pompe à chaleur.
- On doit poser le filtre avant la pompe à chaleur.
- Il faut installer une vanne à bille 3x ou une vanne de dérivation 2x pour la dérivation et la fermeture dans tout système, afin d'en faciliter l'entretien et la réparation et d'équilibrer le débit de l'eau. Il faut installer une dérivation dans tout système.





RISQUE DE DÉCHARGE ÉLECTRIQUE OU D'ÉLECTROCUTION. Il faut qu'un électricien autorisé ou un professionnel qualifié installe la pompe à chaleur électrique, en suivant le Code électrique national et tous les codes et ordonnances locales relevantes. Une installation inadéquate va créer un risque électrique qui peut entraîner la mort ou des blessures graves aux utilisateurs, aux installateurs et aux autres à cause de décharges électriques, ainsi endommager les matériels.

Débranchez toujours la pompe à chaleur au disjoncteur avant d'entretenir la pompe à chaleur. Si on le manque, cela peut entraîner la mort ou des blessures aux utilisateurs, aux réparateurs ou aux autres à cause de décharges électriques et/ou dommages matériels.

Lire toutes les instructions avant de travailler sur la pompe.

3.5 Câblage électrique

Tout le câblage électrique DOIT conformer aux codes et règlements locaux relevant et au Code électrique national® (NEC®). Contactez un électricien autorisé si vous ne pouvez pas vérifier qu'un DDFT protège le circuit. Il faut ne brancher l'unité qu'à un disjoncteur différentiel de fuite à la terre (DDFT). Un installateur doit fournir un tel DDFT, et on doit régulièrement tester le DDFT. Pour tester le DDFT, appuyez sur le bouton de test. Le DDFT doit interrompre l'alimentation. Appuyez sur le bouton de réinitialisation. Cela doit rétablir l'alimentation. Le DDFT est défectueux si le DDFT manque de fonctionner comme cela. Si le DDFT interrompt l'alimentation de la pompe sans appuyer sur le bouton de test, un courant de terre circule, ce qui signifie le risque de décharge électrique. Cessez d'utiliser cette pompe. Débranchez la pompe et demandez à un professionnel qualifié de la réparer avant de l'utiliser.

La pompe acceptera 230V, 50 ou 60 Hz, alimentation monophasée. Les connexions du bornier sont capables de supporter des câbles pleins ou toronnées jusqu'à 12 AWG. Il y a aussi des connecteurs rapides de type fast-on, mais consultez les codes électriques locaux pour vérifier la méthode de connexion propre. Les connexions à la borne de la mise en terre doivent être permanentes (voir figure 4) dans le compartiment du câblage de terrain, suivant le code électrique local.

L'entraînement fonctionnera sur un système électrique biphasé ligne-ligne-terre ainsi que des systèmes ligne-neutre-terre. Il faut brancher en permanence cette pompe à un disjoncteur comme indiqué dans le code électrique local.

Pour brancher l'alimentation, il faut dévisser les deux vis au-dessous du panneau avant, puis faire glisser le câble électrique par le débouchage au côté gauche (ou droit) de la base, puis l'insérer dans la boîte de contrôle.

⚠ AVERTISSEMENT : RISQUE DE DÉCHARGE ÉLECTRIQUE.

1. Vérifiez que tous les disjoncteurs et les interrupteurs sont éteints avant de câbler le moteur. Attendez toujours 5 minutes après avoir débranché l'alimentation de la pompe avant d'ouvrir ou d'entretenir l'entraînement.
2. Choisir une taille de câblage pour la pompe selon le Code électrique national et tous les codes et ordonnances locales relevantes. S'il y a un doute, utilisez un câblage plus lourd (d'un plus grand rayon). Vérifiez que la tension est dans la plage de fonctionnement. Vérifiez que toutes les connexions sont nettes et serrées.
3. Coupez les câbles pour qu'ils ne se chevauchent pas ni se touchent pas en les liant au bornier.
4. Utilisez la taille de câblage juste comme indiqué par le Code électrique national actuel.

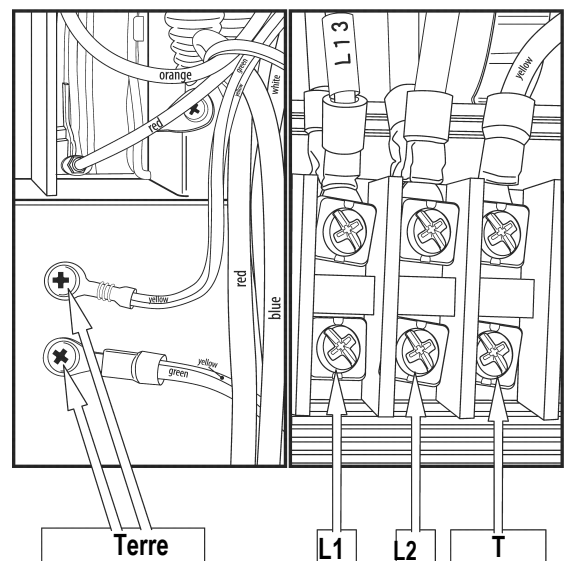


Fig 3.3 : Schéma de câblage

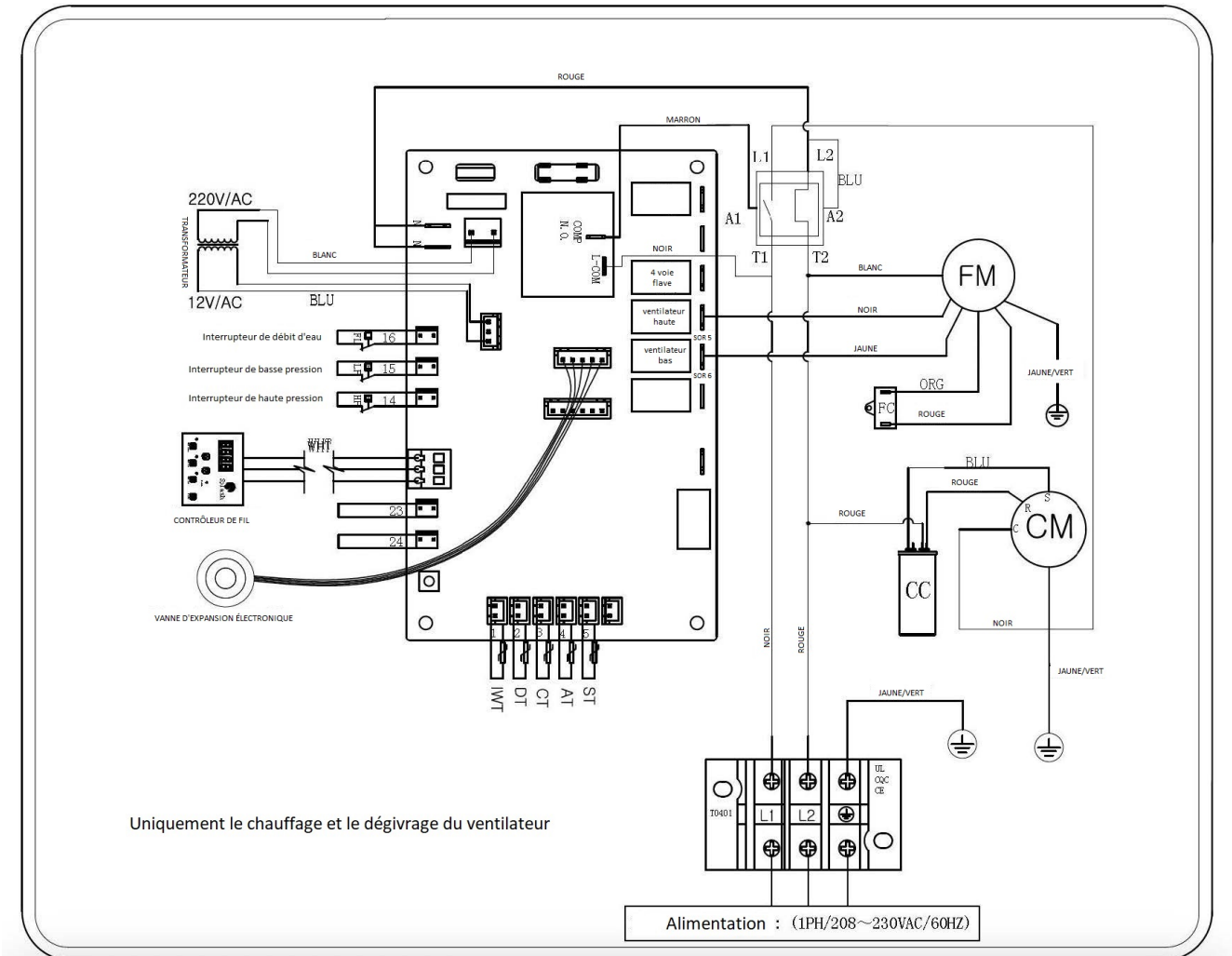


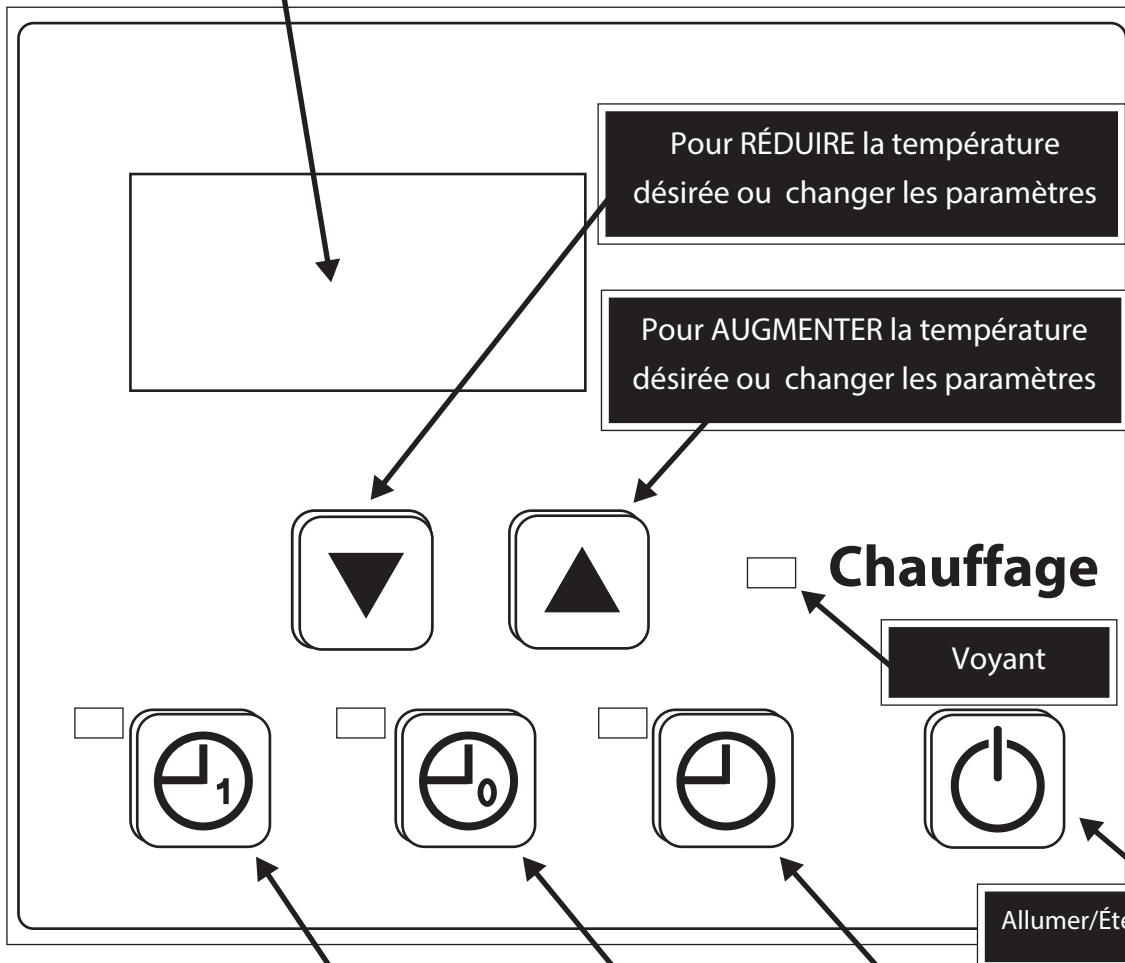
Fig 3.4 : Schéma de câblage



4. Utiliser la pompe



4.1 Les parties du panneau de configuration

Le panneau de configuration est réglé en usine pour afficher les degrés Fahrenheit mais il peut aussi afficher les degrés centigrades.

L'écran de la température et des paramètres



Le minuteur qui défine et ajuste la durée d'exécution avec les boutons  et  Appuyer pendant 10 s pour changer l'affichage à "F" ou "C"

Le minuteur qui défine et ajuste l'heure d'arrêt avec les boutons  



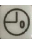
Régler et ajuster l'horloge avec les  boutons .  Appuyer pendant 10s pour vérifier les paramètres de la température avec la sonde de temperature.

Fig 4.1 : Sommaire du panneau

4.2 Les paramètres et les chiffres

Appuyer sur le bouton  pendant 10 secondes pour examiner les paramètres du fonctionnement. Changer la propriété affichée en utilisant les boutons ^ et v pour voir leurs valeurs mesurées.

Propriété	Affichage	SIGNIFICATION
0	0 ^{***}	Température de l'eau à l'entrée
1	1 ^{***}	Température de décharge
2	2 ^{***}	Température de la bobine
3	3 ^{***}	Température ambiante d'aspiration
4	4 ^{***}	Température de l'air
5	5 ^{***}	Degré d'ouverture de la vanne

*** Affichera la valeur mesurée

4.3 Utiliser le panneau de configuration

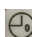
Pour augmenter la température :

Comme expliqué ci-dessus, utiliser la flèche (^) pour augmenter la configuration de la température d'un demi degré à la fois.

Pour réduire la température :

Comme expliqué ci-dessus, mais avec la flèche (v).

Pour afficher la température en °F ou °C :

Appuyer sur la touche  pendant 10 secondes pour changer les unités.

Pour définir la durée de fonctionnement :

Appuyer sur la touche  pour accéder au mode de configuration, et ajuster la valeur avec les flèches (^) et (v).

Définir l'heure d'arrêt :

Appuyer sur la touche  pour accéder au mode de configuration, et ajuster la valeur avec les flèches (^) et (v).

Pour régler l'horloge :

Appuyer sur la touche  pour accéder au mode de configuration, et ajuster la valeur avec les flèches (^) et (v).

4.4 Codes d'entretien

L'analyseur de performance détectera la majorité des problèmes et affichera un code sur l'affichage de votre chauffage. Les codes sont définis comme suit :

CODE	DESCRIPTION
P1	Température de l'eau à la entrée • Défaillance du capteur
P2	Température de décharge • Défaillance du capteur
P3	Température de la bobine • Défaillance du capteur
P4	Température d'aspiration • Défaillance du capteur
PS	Température ambiante • Défaillance du capteur
P7	Température ambiante • Protection trop faible
P8	Protection antigel
pg	Protection contre les impacts liquides
E1	Défaut de la pression la plus élevée
E2	Défaut de la pression la plus basse
E3	Défaut d'écoulement de l'eau
E4	Défaut d'alimentation/phase
E6	Défaut de la température la plus élevée
E8	Défaut de communication

Fig. 4.2 : Tableau des définitions des codes

4.5 Initialisation

- Avant de démarrer le chauffage pour la première fois, c'est important que le disjoncteur soit allumé.
- Vérifiez aussi que l'eau peut circuler librement et que la pompe de la piscine est allumée.
- Puis, vous devez sélectionner la température que vous voulez. Le ventilateur va s'allumer tout de suite. Le compresseur va s'allumer après un délai de 3 à 4 minutes.
- Lorsque le compresseur fonctionne, le voyant de chauffage sur le droit (voir le panneau de configuration à page 12) doit être allumé. Au premier démarrage, c'est habituel que l'unité fonctionne 24 heures par jour.
- **C'est aussi normal de voir de l'eau s'égoutter des trous à la base de l'unité. Cela n'est que de la condensation.**

5. Hivernage

- Tout d'abord, il faut éteindre le disjoncteur. On doit vider l'unité de toute son eau. On doit déconnecter toutes les entrées et sorties de l'eau. Puis, on doit incliner ou sécher autrement l'unité jusqu'à ce que toute l'eau en soit sortie.
- La prochaine étape, c'est de sécher et reconnecter toutes les entrées et sorties de l'eau que vous venez de déconnecter.
- On vous conseille de couvrir la pompe à chaleur afin d'empêcher l'eau d'en pénétrer l'intérieur. Votre magasin peut vous offrir un couvercle hivernal protecteur.

6. Entretien

6.1 Demander de l'entretien ou de l'aide

- Tous les entretiens seront effectués par un établissement autorisé. La garantie peut être annulée dans le cas d'un entretien effectué par une personne non autorisée. Ne retournez pas votre chauffage au magasin parce qu'elle ne fournit pas de l'entretien.
- Avant d'appeler pour de l'aide ou de l'entretien, veuillez consulter la section de dépannage (page 17) et la section sur la garantie (page 17) ou appeler votre magasin. Cela peut vous épargner le prix d'un appel d'entretien. Si vous avez toujours besoin de l'aide, suivez les directions ci-dessous.
- Quand vous demandez de l'aide, veuillez fournir une description complète du problème, le modèle et le numéro de série de votre chauffage et la date d'achat. Ces informations vont nous aider à répondre proprement à votre demande.
- Garder une copie de votre facture qui montre la date d'achat. Cela vous assure des services d'entretien.

7. Dépannage



Diagnostiquer certains symptômes peuvent exiger des interactions à proximité des pièces électrifiées. Le contact avec l'électricité peut causer la mort, des blessures ou des dommages matériels. En dépannant la pompe à chaleur, les diagnostics qui impliquent l'électricité doivent être faits par un professionnel autorisé.

Problème	Cause possible	Action corrective
Le chauffage de la piscine ne fonctionne pas	Le contrôle de la pompe à chaleur est éteint	Allumer la pompe à chaleur.
	On a atteint la température désirée	L'unité va redémarrer automatiquement une fois que la température est au-dessus de la température réglée.
	Le disjoncteur principal est déclenché.	Réinitialiser le disjoncteur principal et redémarrer la pompe à chaleur.
The fan is running, but the compressor is not.	Le filtre est sale et empêche l'écoulement de l'eau.	Laver et nettoyer le filtre.
	La pompe à chaleur se trouve dans le mode de protection.	Dans ce cas, on peut avoir un délai avant le redémarrage.
Il n'y a pas d'affichage et le ventilateur ne fonctionne pas, mais le compresseur fonctionne.	L'unité est dans un cycle de dégivrage	Le compresseur va redémarrer automatiquement dans quelques minutes, jusqu'à ce qu'il se soit arrêté trois fois de suite.
	Un problème avec l'alimentation	Demander à votre électricien de vérifier la source d'alimentation de votre pompe à chaleur en examinant les connexions L1/L2/L3 dans la boîte d'entretien de votre unité.
Il y a de l'eau autour de l'unité.	Lorsque votre chauffage est en train de chauffer la piscine, une grande quantité de l'air chaud et humide va passer au-dessus de l'évaporateur, emportant de la condensation. C'est normal de voir de la condensation au-dessous du chauffage.	Pour vérifier que l'eau signifie vraiment une fuite, vous devez arrêter le chauffage et laisser la pompe de la piscine fonctionner pendant plus de 5 heures. S'il y a encore de l'eau venant de votre chauffage après cette période, appelez pour de l'entretien.
Le chauffage fonctionne mais on n'atteint pas la température désirée.	La perte de chaleur est trop pour le chauffage.	Couvrir votre piscine autant que possible avec un couvercle solaire.
	L'évaporateur restreint à cause d'un mauvais emplacement.	Modifier l'emplacement du chauffage.
	L'évaporateur est sale.	Nettoyez-le en passant de l'eau du robinet sur la bobine sans l'embout de la buse. N'utilisez pas de l'eau pressurisée vu qu'il peut endommager la bobine et annuler la garantie.
	L'écoulement de l'eau est restreint .	Ajuster l'écoulement de l'eau. Vérifier la dérivation.

Si votre chauffage de piscine ne fonctionne pas hors des raisons ci-dessus, veuillez nous contacter pour obtenir autorisation propre de votre garantie.

8. Garantie limitée

Informations sur l'entretien

Le Centre de service des pompes est rempli de personnel formé pour entretenir votre piscine d'une manière efficace et fiable. Nous contacter pour des conseils techniques, des réparations ou des pièces de rechange d'usine à (516) 796-2425 ou visiter service@blackanddecker-pool.com /warranty@blackanddecker-pool.com.

Garantie limitée Blue Torrent Pool Products

Garantie limitée de cinq ans

Les produits Blue Torrent Pool garantissent que ce produit est exempt de tout défaut de matériau ou de fabrication pendant une période de cinq (5) ans suivant la date d'achat.

Cette garantie limitée ne couvre pas les défaillances dues à un abus, à un dommage accidentel ou lorsque des réparations ont été effectuées ou tentées par toute autre personne que les centres de service de pompes autorisés.

Un produit défectueux répondant aux conditions de garantie énoncées dans le présent document sera remplacé ou réparé gratuitement de l'une des deux manières suivantes :

La première, qui ne donnera lieu qu'à des échanges, consiste à retourner le produit au détaillant chez qui il a été acheté (à condition que le magasin soit un détaillant participant). Les retours doivent être effectués dans le délai prévu par la politique d'échange du détaillant. Une preuve d'achat peut être exigée.

Veillez vérifier auprès du détaillant sa politique de retour spécifique concernant les délais de retour ou d'échange. La deuxième option consiste à apporter ou à envoyer le produit (en port payé) au centre de service agréé de la pompe pour réparation ou remplacement au choix de Blue Torrents. Une preuve d'achat peut être exigée.

Pump Service Center
(516)796-2425
1075 Hicksville Road
Seaford, NY 11783 USA
service@blackanddecker-pool.com
warranty@blackanddecker-pool.com

Cette garantie limitée constitue l'intégralité de la garantie. Aucune autre garantie ne s'applique, qu'elle soit explicite ou implicite. Cette garantie vous donne des droits légaux spécifiques et vous pouvez avoir d'autres droits qui varient d'un état à l'autre. Si vous avez des questions, contactez le responsable du centre de service des pompes.

AMÉRIQUE LATINE : Cette garantie ne s'applique pas aux produits vendus en Amérique latine. Pour les produits vendus en Amérique latine, vérifiez les informations de garantie spécifiques au pays contenues dans l'emballage, appelez la société locale ou consultez le site Web pour obtenir ces informations.

REPLACEMENT GRATUIT DES ÉTIQUETTES D'AVERTISSEMENT : Si vos étiquettes d'avertissement deviennent illisibles ou sont manquantes, appelez le (516) 796-2425 pour un remplacement gratuit.

Fabriqué par Blue Torrent Pool Products
444 E 81ST ST
NEW YORK, NY 10028-5859

BLACK & DECKER, BLACK+DECKER, the BLACK & DECKER et BLACK+DECKER logos, noms de produits et schéma de couleurs orange et noir sont des trademarks de The Black & Decker Corporation, utilisés sous la licence. Tous droits réservés.

Patents/Protege/Patentes: www.blackanddecker.com/patents

© Copyright