

AUTO FLOAT

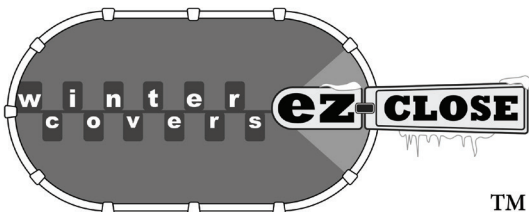
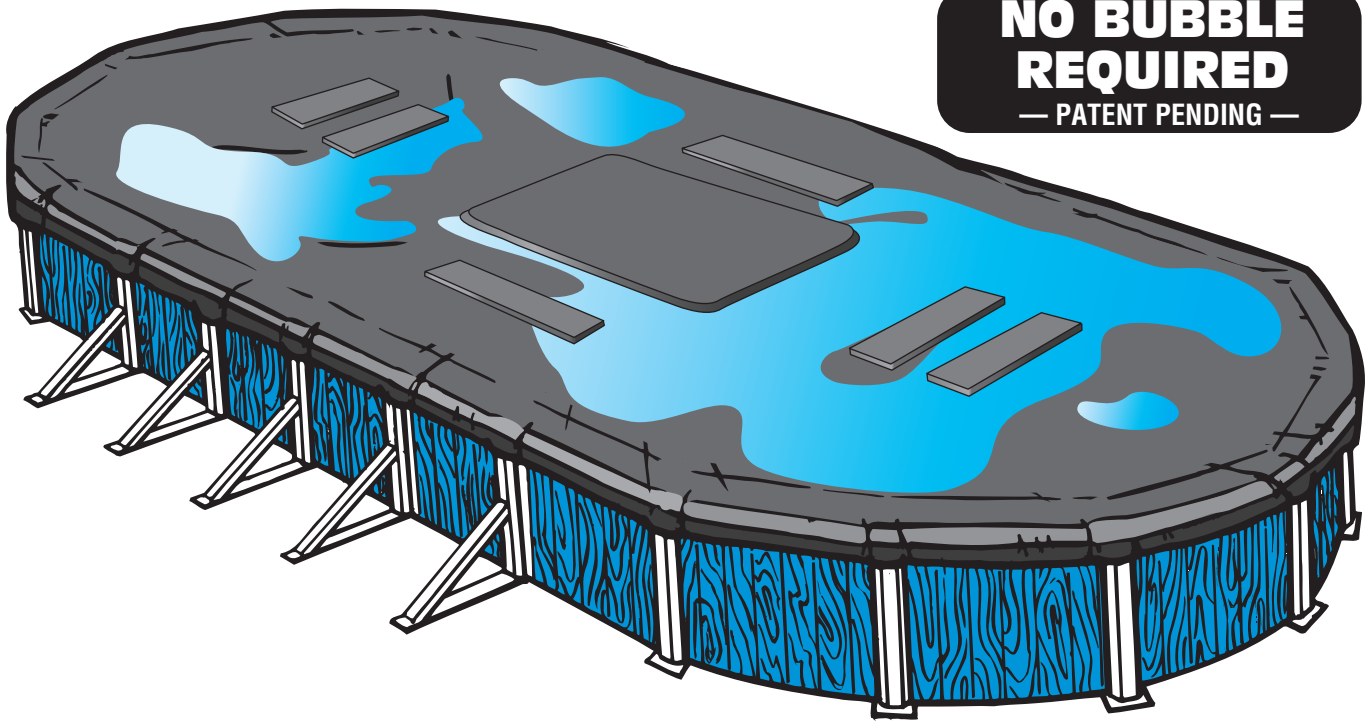
WINTER POOL COVER

TM

THE WORLD'S ONLY SELF FLOATING WINTER COVER



**NO BUBBLE
REQUIRED**
— PATENT PENDING —



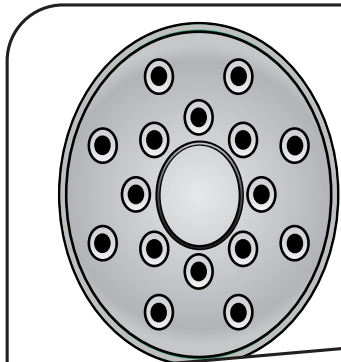
TM

— PATENT PENDING —

INSTALLATION INSTRUCTIONS

1 WATER PREPARATION

- Thoroughly clean and vacuum pool prior to adding winter chemicals.
- Adjust pH level to 7.2-7.6.
- Add only winter grade chemicals.
- Never use chlorine based chemicals when winterizing because chlorine is a gas and the chlorine vapors will damage your cover.



For use in Pools with Vinyl Liners Only!

Ask your Pool Dealer about the Chlor-No-More® Winterizing Orb

1 STEP

WINTER WATER TREATMENT

- Place Orb in skimmer
- Run filter for 3 to 12 hours
- Remove empty Orb and throw away
- Cover your pool

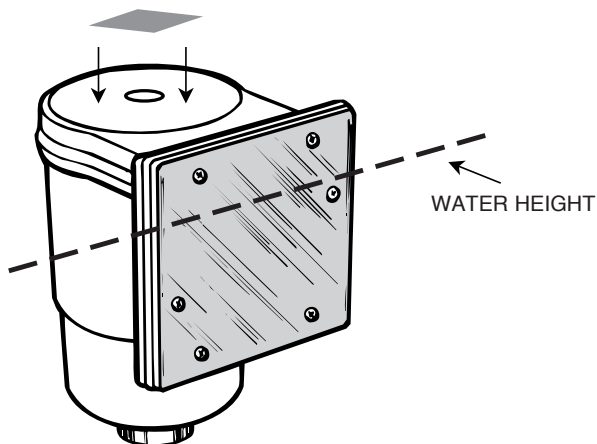
2 SKIMMER PREPARATION FOR STAINLESS STEEL WINTER PLATE

- Remove screws from skimmer faceplate that match holes on the ICE GUARD winter plate. **DO NOT REMOVE ALL SCREWS FROM SKIMMER.**
- Place gasket and ICE GUARD winter plate over skimmer face plate and align properly.
- Secure foam gasket and ICE GUARD winter plate to skimmer with provided screws. **DO NOT OVER TIGHTEN SCREWS.**
- Apply a piece of duct tape (not included) to hole on top of skimmer cover.

INITIAL INSTALLATION FOR ALL SEASONS™ FRAME AND PLATE KIT:

- Lower the water level below the skimmer box.
- Remove the current skimmer faceplate from the skimmer body and hold skimmer in place. This will be easier with 2 people.
- Remove the old rubber gasket from the skimmer box.
- Install new rubber gasket and new face plate from the All Season Frame Kit.
- Attach the new All Season face plate with new skimmer screws from All Season Frame Kit.
- Once the new face plate is attached, install the new winter gasket, then install the new All Season Plate using the machine screws provided in the All Season Kit screwing them into the threaded holes.

APPLY DUCT TAPE TO HOLE



3 STANDARD RETURN PREPARATION

- Select the correct size plug. Plug return fitting from **INSIDE** of pool.
- Detach all hoses from skimmer and return fitting. Remove and store all internal skimmer components (basket, weir, cartridge, etc.)

4 FILTER WINTERIZATION

- Disconnect, drain, and store filter and pump according to directions provided by the manufacturer. Lubricate all O-rings with Blue Seal® O-Ring lube prior to storing for the winter.

5 FLOTATION DEVICE

- The Auto-Float winter cover has a permanently attached flotation device in the center of the cover.
- Your Auto-Float winter cover **DOES NOT** use an air pillow.



FACTORY INSTALLED FLOTATION DEVICE

6 INSTALLING POOL COVER

- Unpack cover from package.
- Place cover on pool.
- Ensure cover is placed right side upon

WINTER COVER FACING UP



Cover must be facing up
(You can see the overlap material and exposed stitching for the floating device)

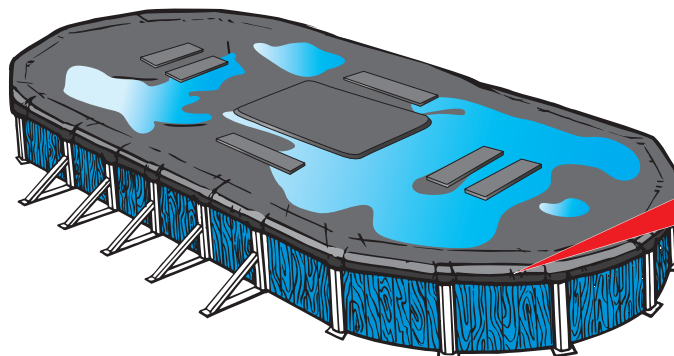
WINTER COVER FACING DOWN



Winter Cover facing down
(smooth side of flotation device showing no overlap material)

7 COVER ATTACHMENT

- Weave cable (supplied) through the grommets around the perimeter of cover. Exposed cable should be over the larger distance between the grommets.
- Secure cable with **OLD MAN WINTER® CRANK N' LOCK** (supplied).
- Place one end of the cable, now threaded on cover, through the hole on the left side of the **CRANK N' LOCK** outer frame. Take the other end of the cable and thread it through the hole on the right side of the frame.
- Pass left cable through top hole in center shaft and right cable through bottom hole in center shaft. Pull tight to remove slack.
- Slowly turn handle on winch to wrap cable until cable is tight. **DO NOT OVER TIGHTEN!** Once cable is tight, place lock through handle and cable shown below to secure.



8 WINTER MAINTENANCE

- a. Frequently remove water and debris from winter cover to prolong winter cover life.
- b. Periodically check your skimmer box to ensure that it remains completely dry

AUTO FLOAT™ WINTER COVER — WARRANTY —

Every Auto Float Winter Cover is thoroughly inspected before it leaves our factory. We agree to repair or replace, at our discretion any pool cover, which proves to be defective in material or workmanship. Any claim of a defective pool cover should be reported by writing to:

**EZ CLOSE WINTER COVER SYSTEMS
PO BOX 286274
NEW YORK, NY 10128**

After two years the cost of replacement shall be Pro-rated based on the number of years the cover has been used. Charges, if any, shall be calculated as below.

<u>USAGE</u>	<u>YOUR REPLACEMENT COST</u>
0-2 YEARS.....	0% OF MANUFACTURER'S LIST PRICE
2-3 YEARS.....	50% OF MANUFACTURER'S LIST PRICE
3-6 YEARS.....	75% OF MANUFACTURER'S LIST PRICE
6-8 YEARS.....	85% OF MANUFACTURER'S LIST PRICE
8-10 YEARS.....	90% OF MANUFACTURER'S LIST PRICE
11-20 YEARS.....	95% OF MANUFACTURER'S LIST PRICE

Our entire liability is limited to carrying out the terms of the above warranties. Improper installation of pool cover use of chemicals not recommended for Winter Close Down or failure to properly maintain cover will void all warranties.

WARNING:

Many Pools have sharp corners where segments of components join. Pad these sharp edges with any soft material such as burlap, corrugated chipboard, foam rubber, etc. to avoid wear and cutting of the cover. Failure to do this voids your warranty. This warranty specifically does not cover damage to the pool cover due to wear caused by sharp instruments or abrasion.

NOTE:

Material defects are limited to seam separation, delamination or dry rot. Excessive abrasion and grommets pulling out are specifically excluded from this warranty.

Do not return your cover to the dealer until you have reported your defect in writing to:

**EZ CLOSE WINTER COVER SYSTEMS
PO BOX 286274
NEW YORK, NY 10128**

E-mail your comments and questions to: questions@bluetorrentpoolproducts.com