

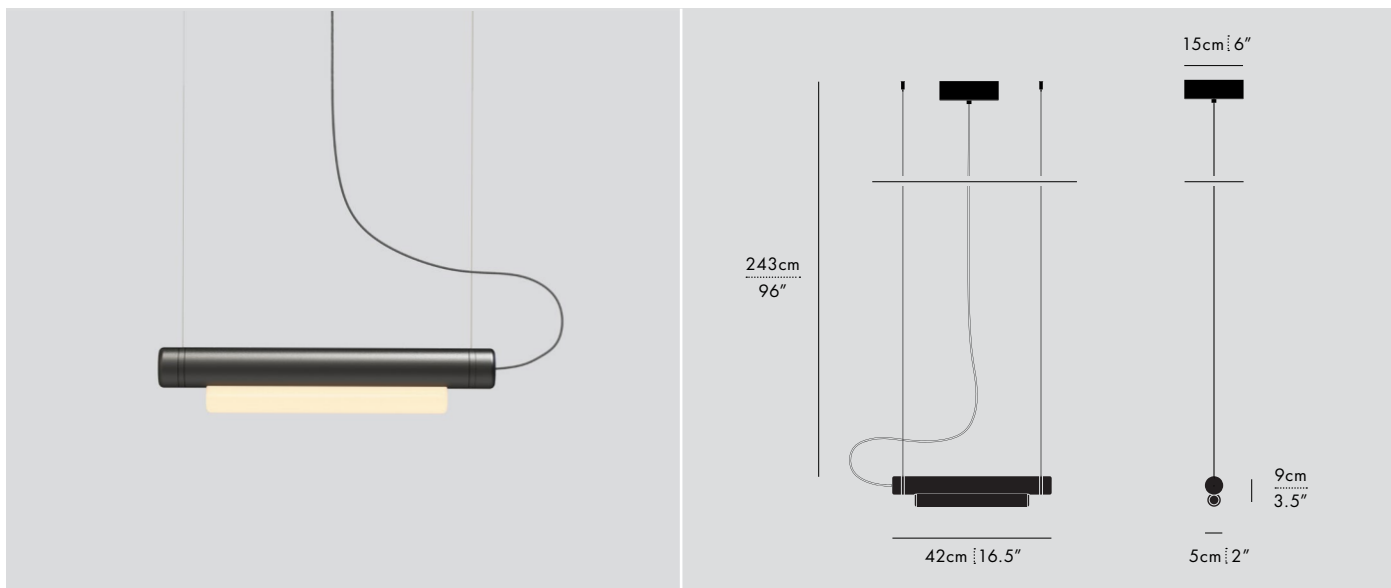
PIPELINE 40 - P

PENDANT / DESIGNER: CAINE HEINTZMAN / 2013

A-N-D

MANUFACTURED IN CANADA

A-N-D.COM



PIP-40-P-BK-27-ELV-120

VISIT A-N-D.COM FOR 3D MODELS INCLUDING REVIT/IES.

DESCRIPTION

Pipeline is the quintessential modular light fixture as its components enable it to match the contours of any given space.

TYPE

Pendant

DIMENSIONS

- Luminaire: 42 x 7.5 x 5 cm / 16.5" x 3.25" x 2"
- Adjustable drop length: 243cm / 96"

* CUSTOM LENGTH AVAILABLE

CERTIFICATIONS

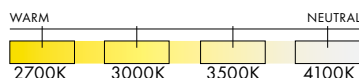


* APPLICATION: DRY INDOOR LOCATION ONLY

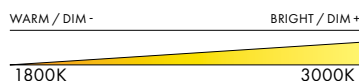
TECHNICAL INFORMATION

- Input Voltage: 110-120V, 220-240V, 110-277V
- Lamping: Integral 5W 24V DC LED
CRI 90+, 50,000 hours
- Lumens: 239 lumens delivered
- Power Supply: Phase dimming, 0-10V, DALI

COLOUR TEMPERATURE OPTIONS



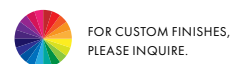
DIM TO WARM



MATERIALS

- Aluminum
- Acrylic

FINISHES



SERIES	SIZE	TYPE	BODY FINISH	END CAP/JOINER	CCT	PS	VOLTAGE IN
PIP	40	P	<input type="checkbox"/> BK (BLACK) <input type="checkbox"/> WH (WHITE) <input type="checkbox"/> RA (RAW) <input type="checkbox"/> BR (BRASS) <input type="checkbox"/> CP (COPPER) <input type="checkbox"/> CH (CHROME)	<input type="checkbox"/> BK (BLACK) <input type="checkbox"/> WH (WHITE) <input type="checkbox"/> BR (BRASS) <input type="checkbox"/> CP (COPPER) <input type="checkbox"/> CH (CHROME)	<input type="checkbox"/> 27 (2700K) <input type="checkbox"/> 30 (3000K) <input type="checkbox"/> 35 (3500K) <input type="checkbox"/> 41 (4100K) <input type="checkbox"/> DW (DIM TO WARM)	<input type="checkbox"/> ELV <input type="checkbox"/> 010 <input type="checkbox"/> DALI	<input type="checkbox"/> 120 <input type="checkbox"/> 230 <input type="checkbox"/> 277*

*277 ONLY AVAILABLE WITH 010

