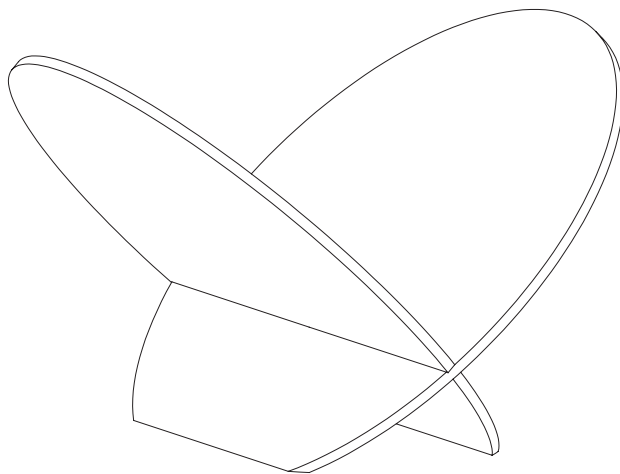


GEJST

SILIA

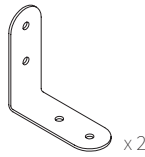
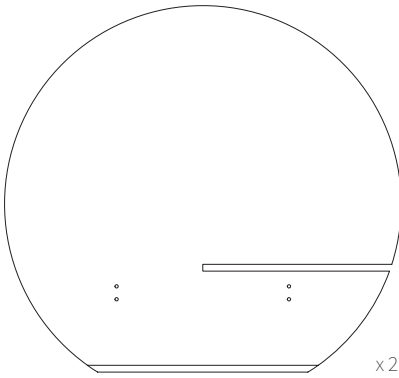
By C. F. Møllers Architects

Instruction



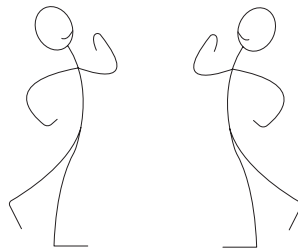
Content of the box

The box contains



NOTE

You need to be two persons
when assembling SILIA

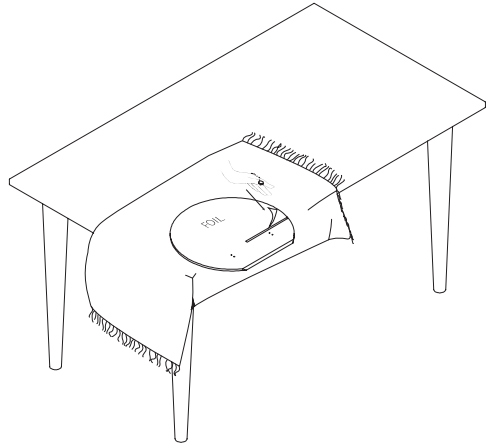


GEJST

①

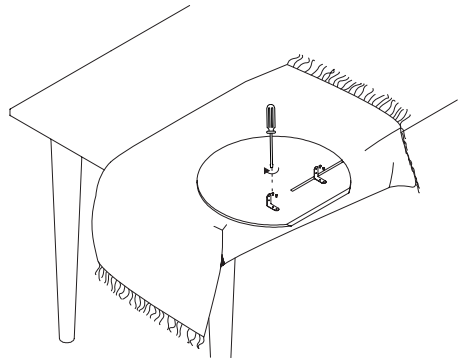
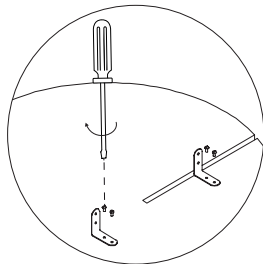
Place one of the plates on the table with a blanket underneath. The holes should face upwards

The Stainless Steel version has a protection foil that needs to be removed



②

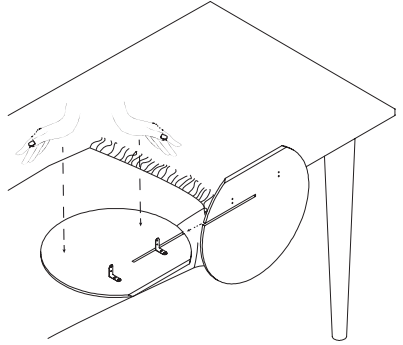
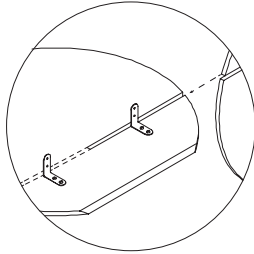
Attach the brackets by using screws



GEJST

3

To avoid scratches the plates must be pushed straight and carefully into each other while the other person holds the plate on the table



4

Attach the other plate by using the remaining screws

