

GEJST



GALET

Böttcher & Kayser, 2017

Type Cuttingboard

Colours Oak

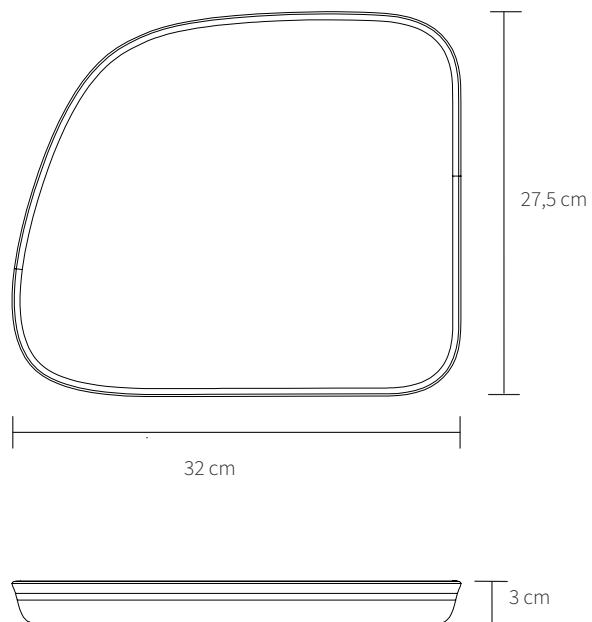
Galet cutting board is carried out in oak, which gives it a firm feeling and an instant sense of quality.

Galet collection is a set of three different sized ceramic dishes and a Galet cutting board carried out in solid oak.

The three ceramic dishes fit perfectly in to each other and are also made to fit the edge of the cutting board. This detail makes it pleasingly easy to slide the freshly cut herbs or grinded parmesan in to the dish.

GEJST

SPECIFICATIONS



Product category	Accessories
Item no.	00200
EAN code	5712731002004
Country of origin	Poland
Tarif	4419.00.10.00
Materials	Oak
Colour	Oak
Product dimensions (H x L x W)	3 cm x 32 cm x 27,5 cm
Packaging dimensions (H x L x W)	4 cm x 32,8 cm x 28,2 cm
Product weight	1,5 kg
Cleaning	Wash on both sides
Maintenance	Use Food oil on both sides
