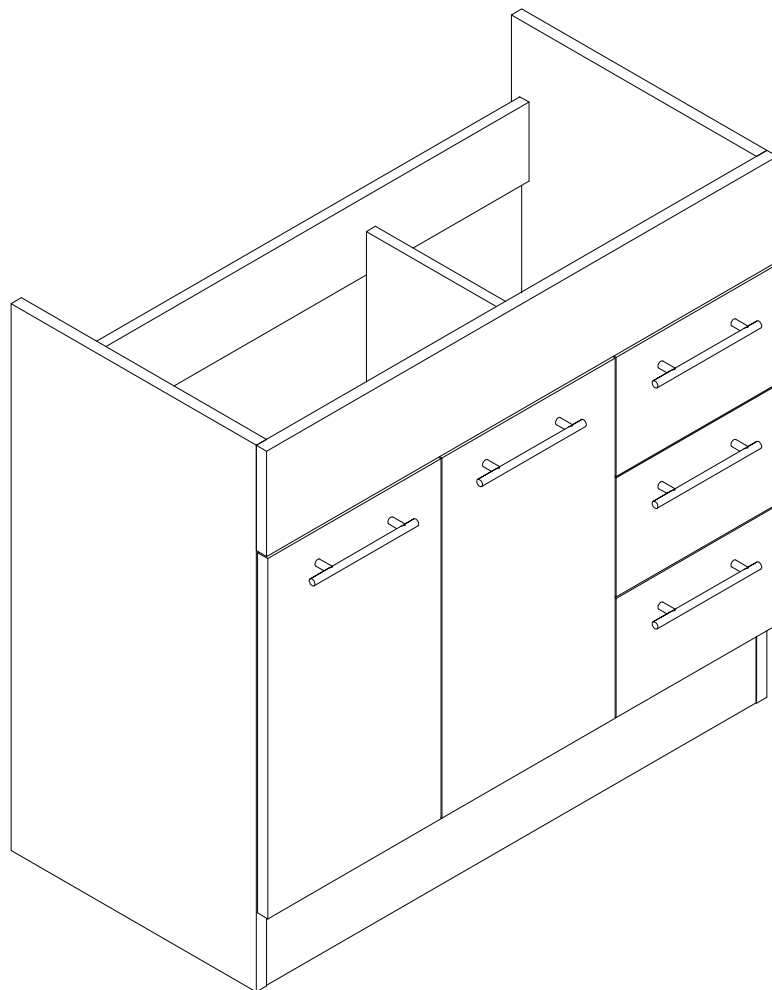
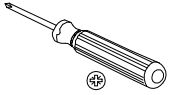


INSTALLATION INSTRUCTIONS

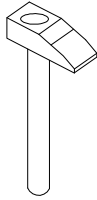
Code:GVT-90



Required Tools



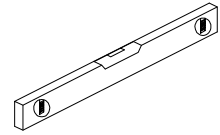
Screwdriver



Hand hammer

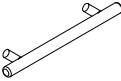



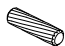

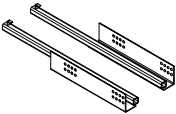
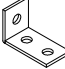



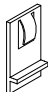

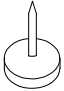


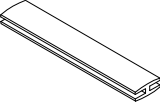
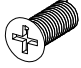


Screwdriver



Level

Supplied Spare Part

(A) Handles.		X5	(B1) Screws M4x25.		X10
			(B2) Screw gasket		X10
(C) Hinges		X2	(D) 8x30-dowels		X18
		X2			
(E) Bottom soft close		X3	(F) small brackets		X1
(G1) eccentric cams		X45	(H) 3.5x14-screws		X7
(G2) cams		X45			
(I) shelf supports		X4	(J) 4x37-screws		X20
(K) shackles		X6	(L) big brackets		X1
(M) 4x30-screws		X2	(N) H-beam connection		X1
(O) screws		X24			

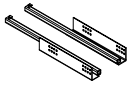
(G2)



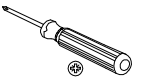
(D)



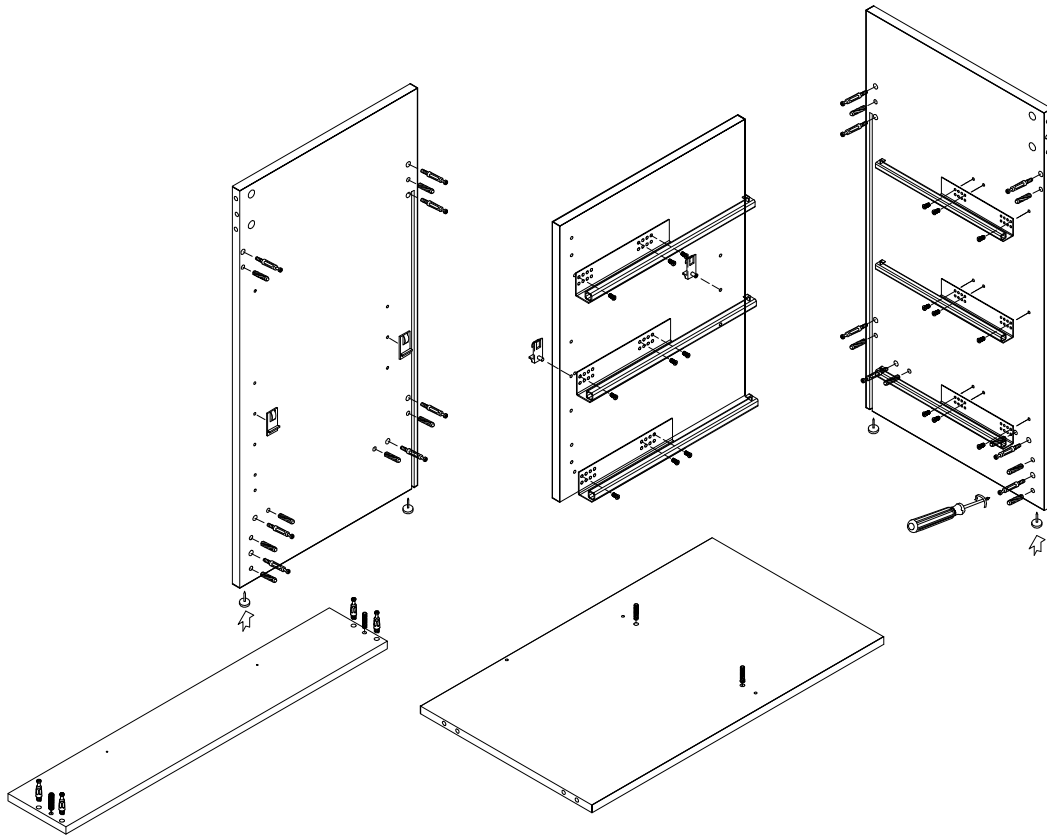
(E)



(O)



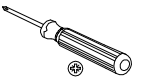
1



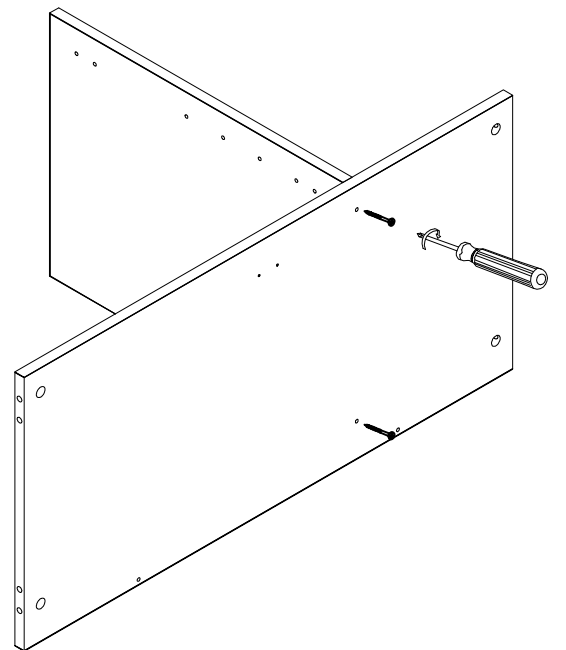
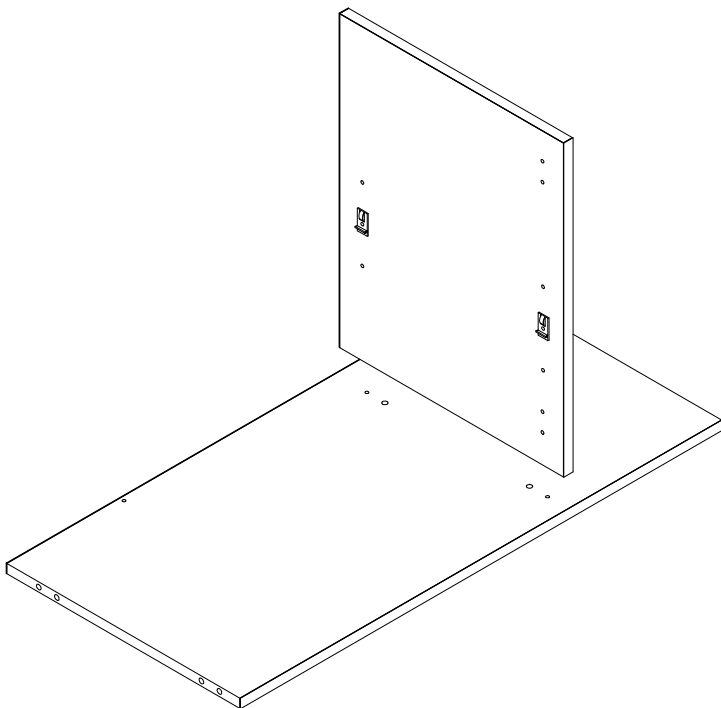
(L)




(J)

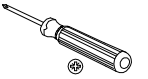


2

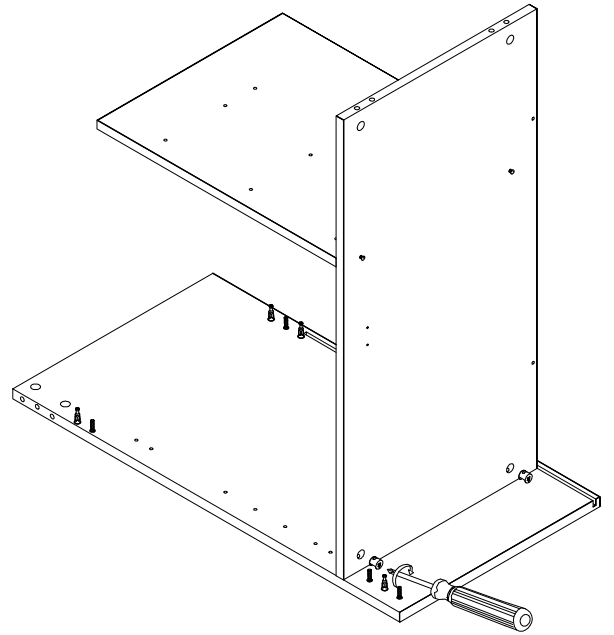
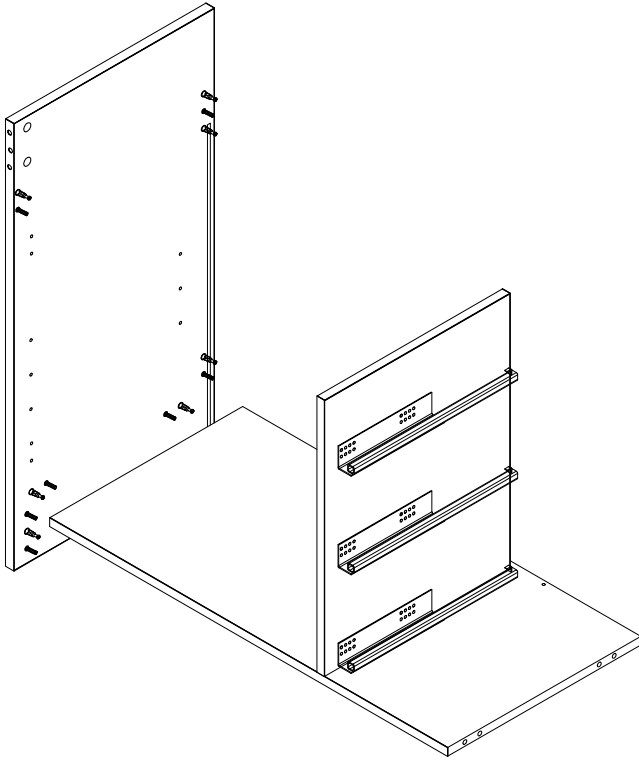


3

(G1) 

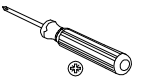


3

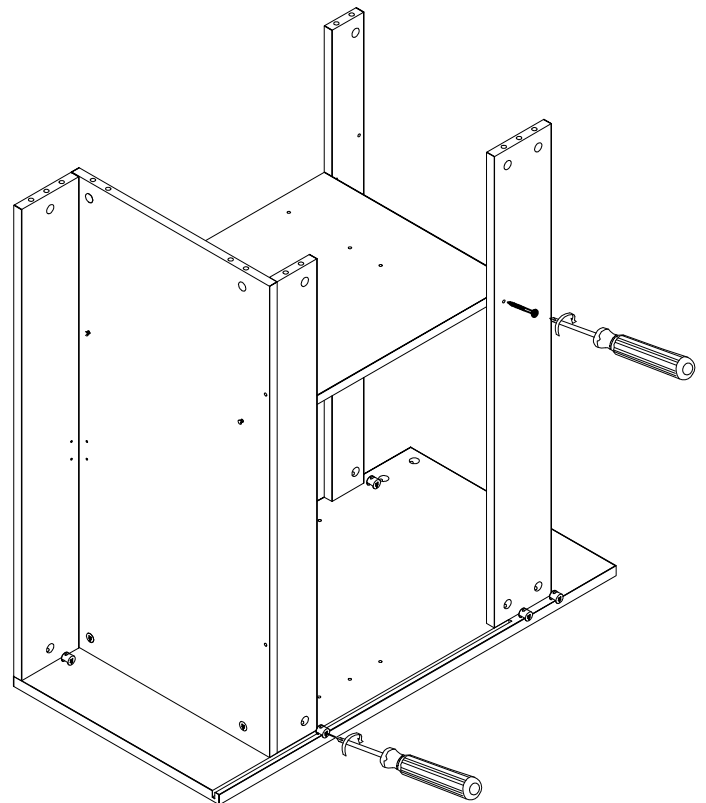
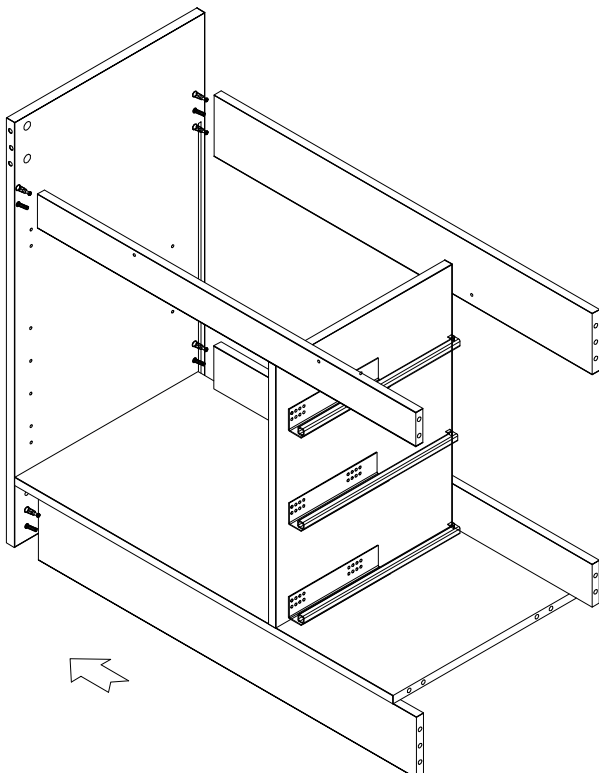


Tighten eccentric cams

(G1)  (J) 



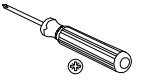
4



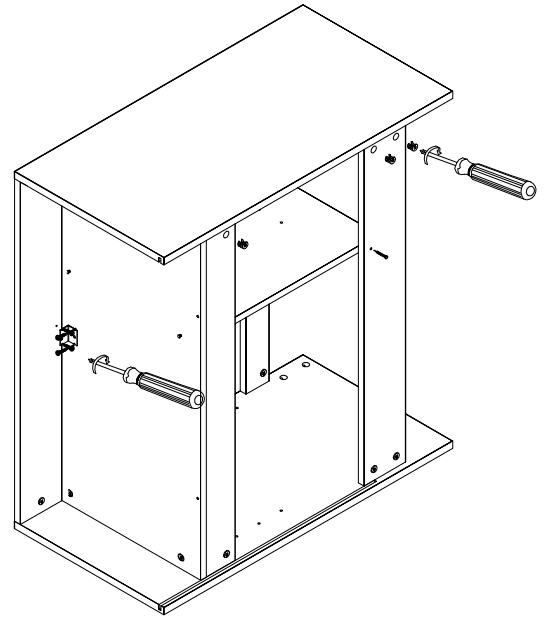
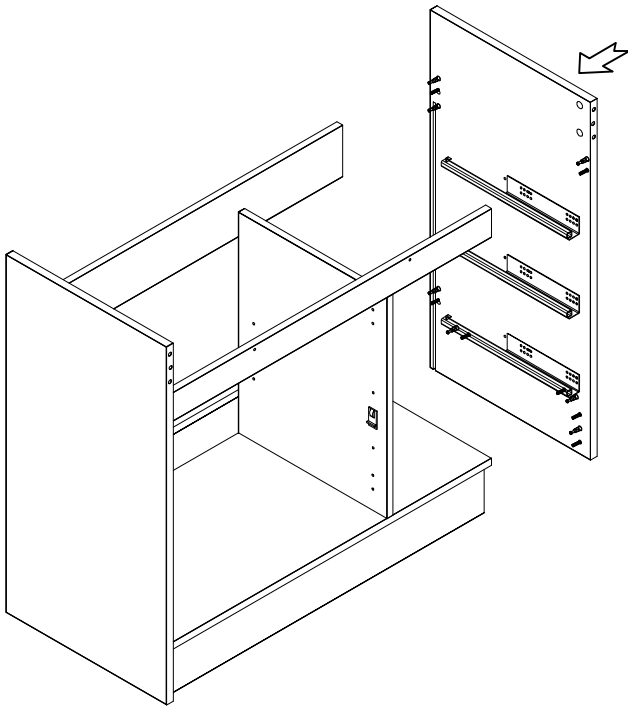
Tighten eccentric cams

4

(E) (J) (F)

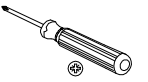


5

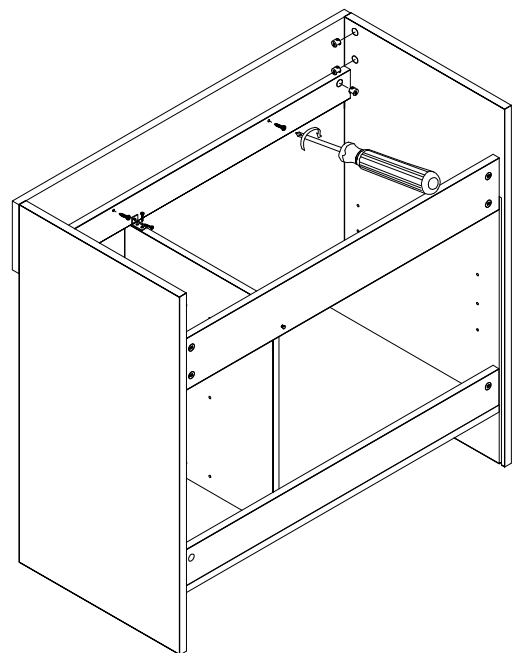
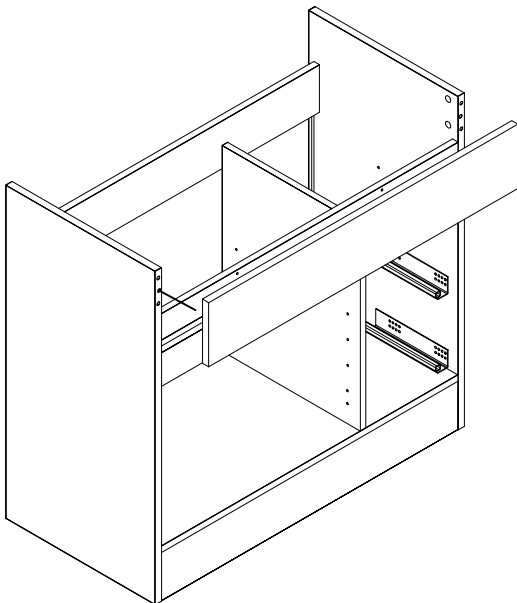


Tighten eccentric cams

(K)



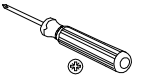
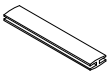
6



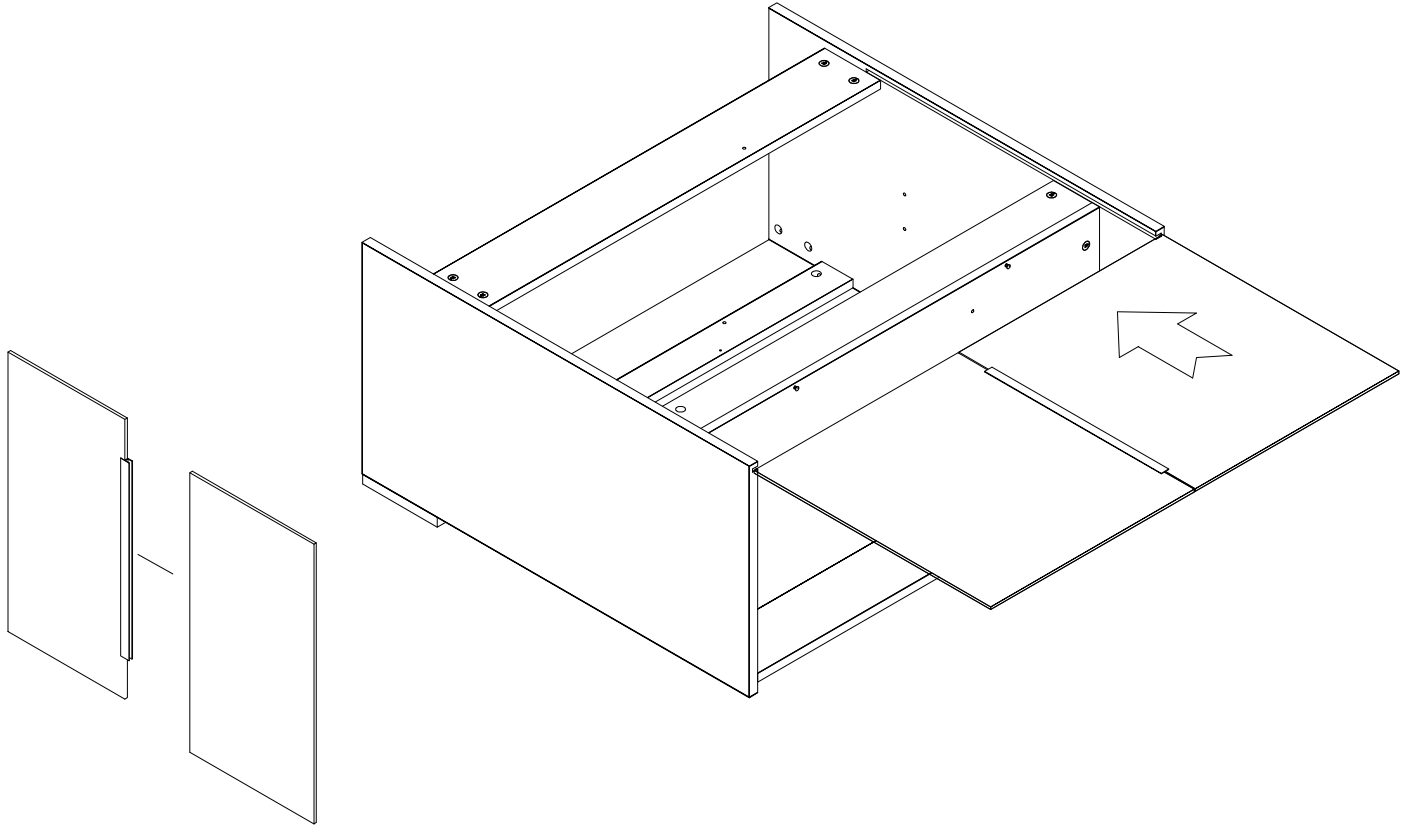
Tighten eccentric cams

5

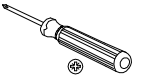
(N)



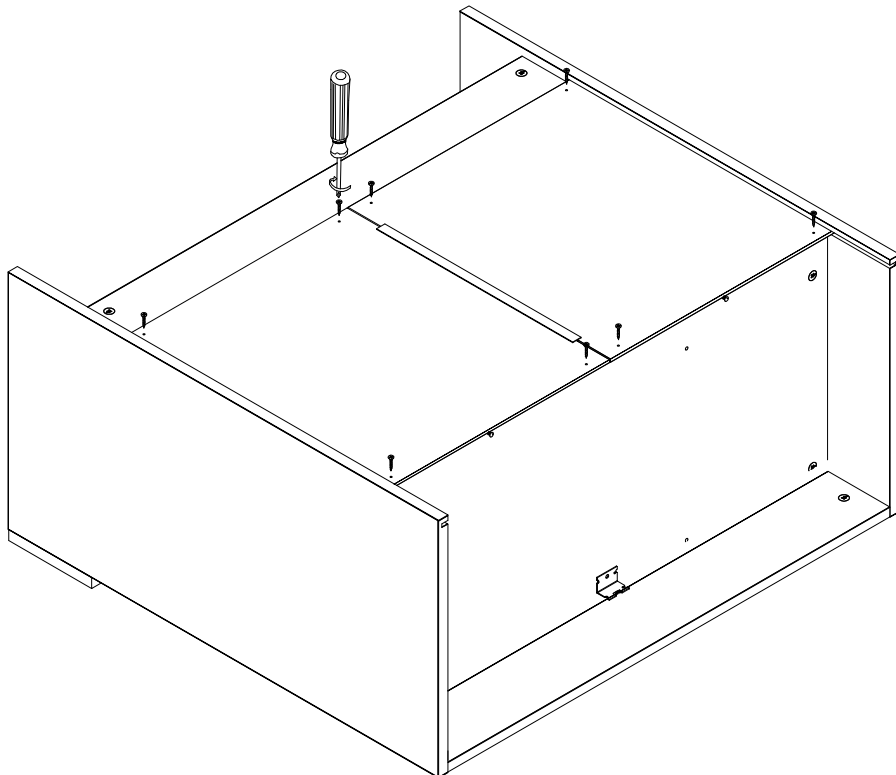
7




(M)

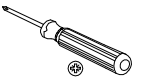


8

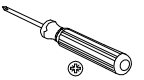
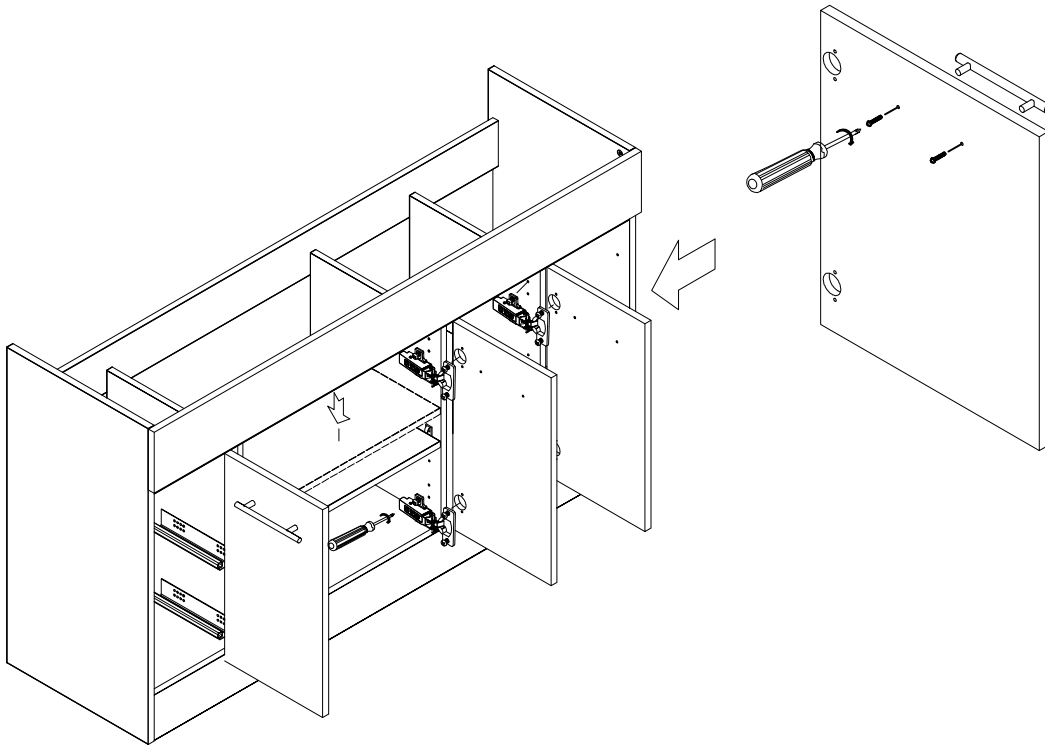


6

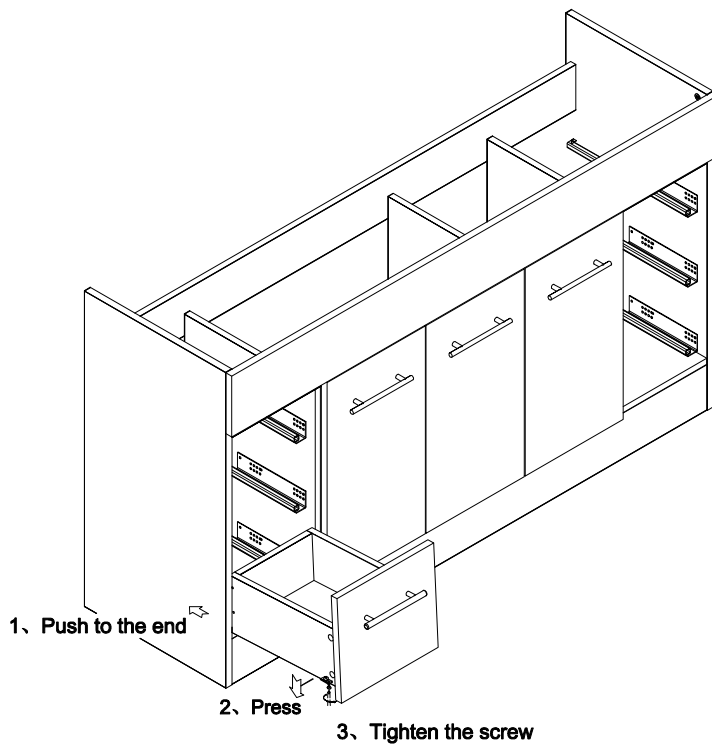
(H)  (A)  (B1)  (B2)  (C) 



9



10



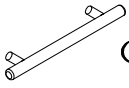
(B2)



(B1)



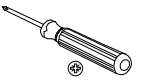
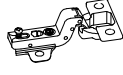
(A)



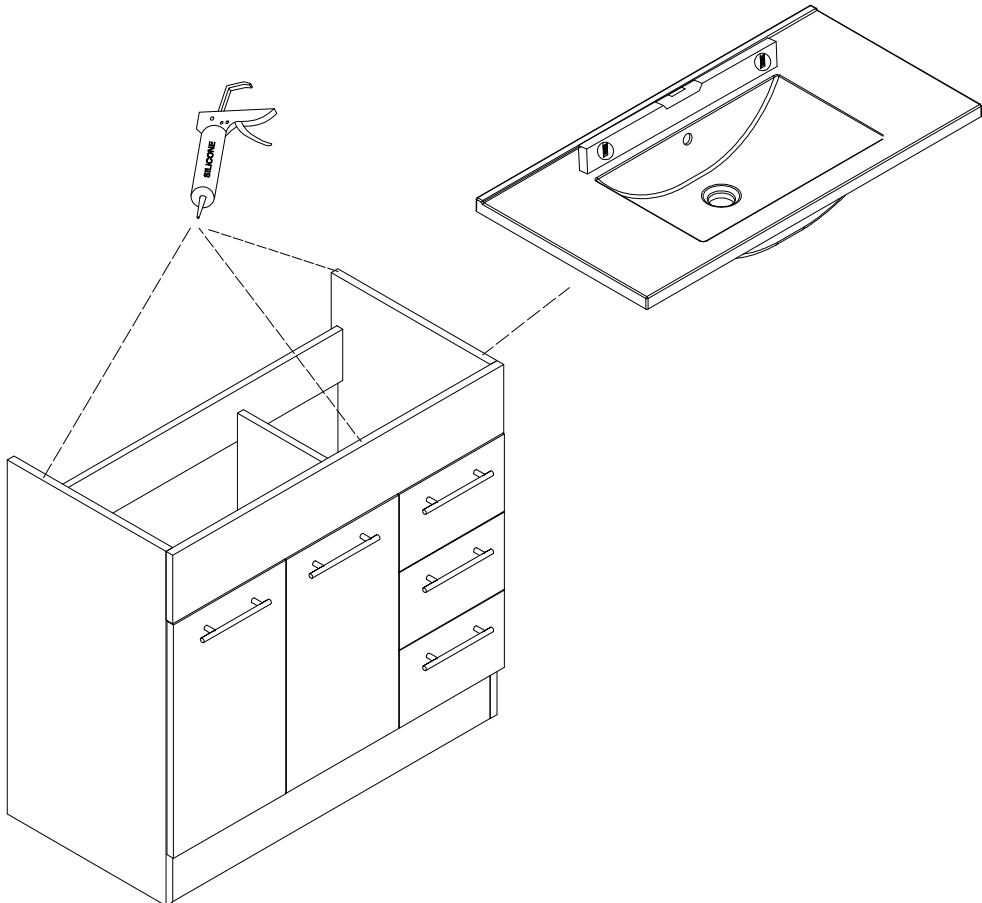
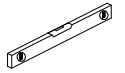
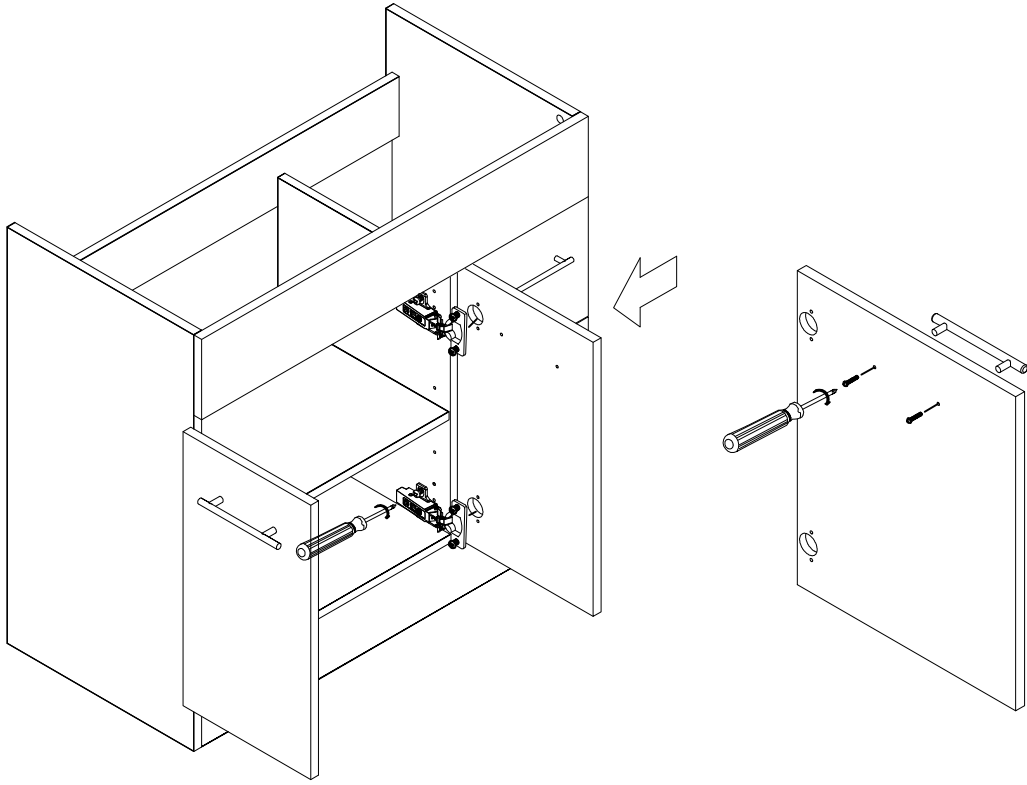
(C1)



(C2)

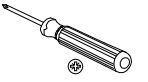


11

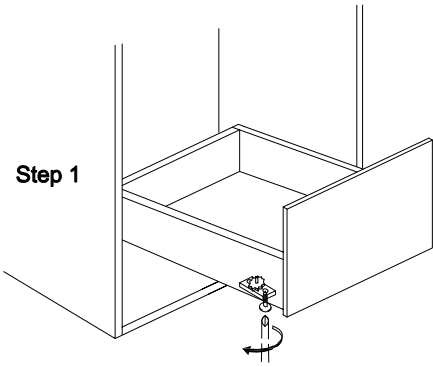


8

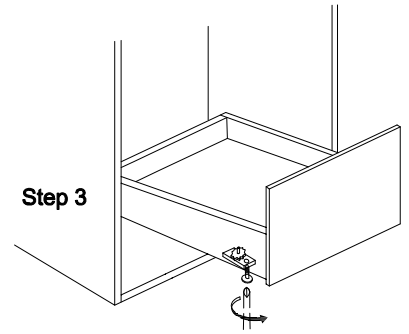
Bottom soft close runner adjustment



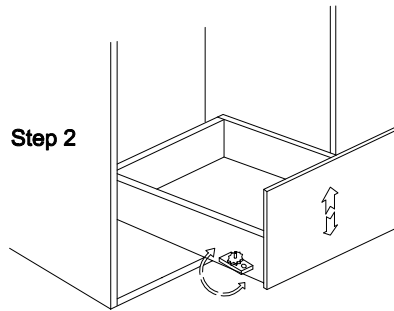
Step 1



Step 3



Step 2



Hinge adjustment

