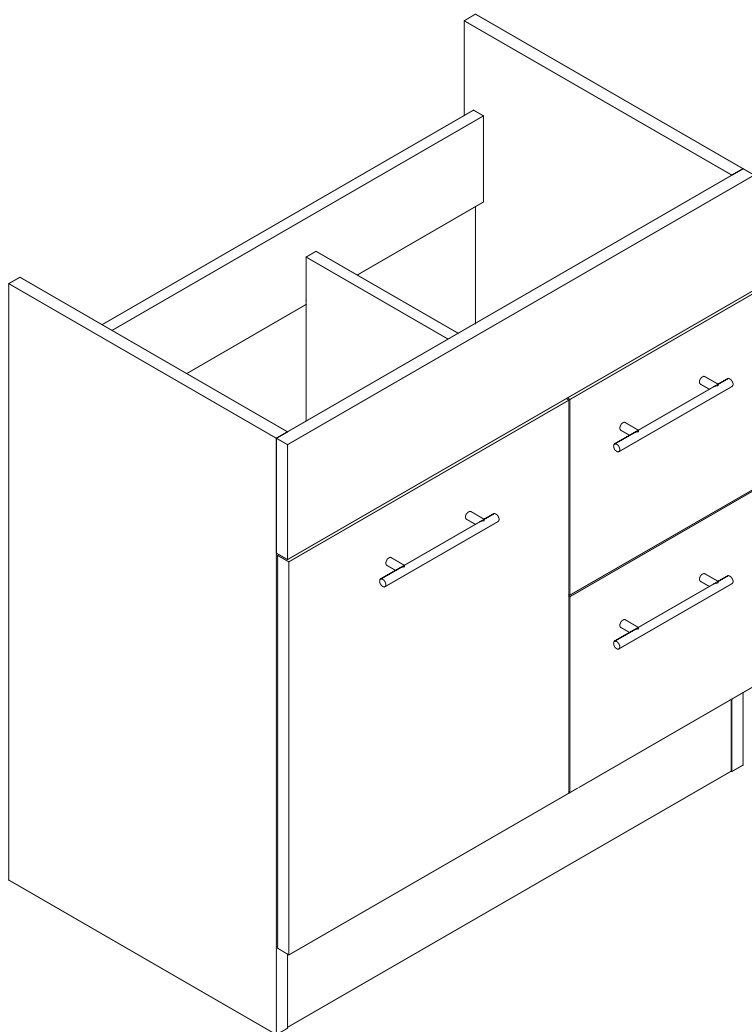
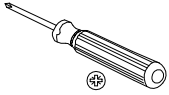


INSTALLATION INSTRUCTIONS

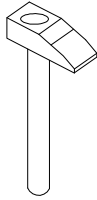
Code:GVT-75



Required Tools



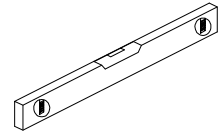
Screwdriver



Hand hammer

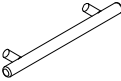
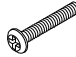

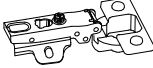

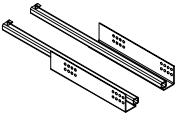
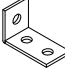



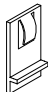

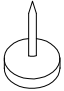


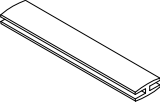
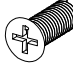


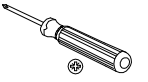
Screwdriver



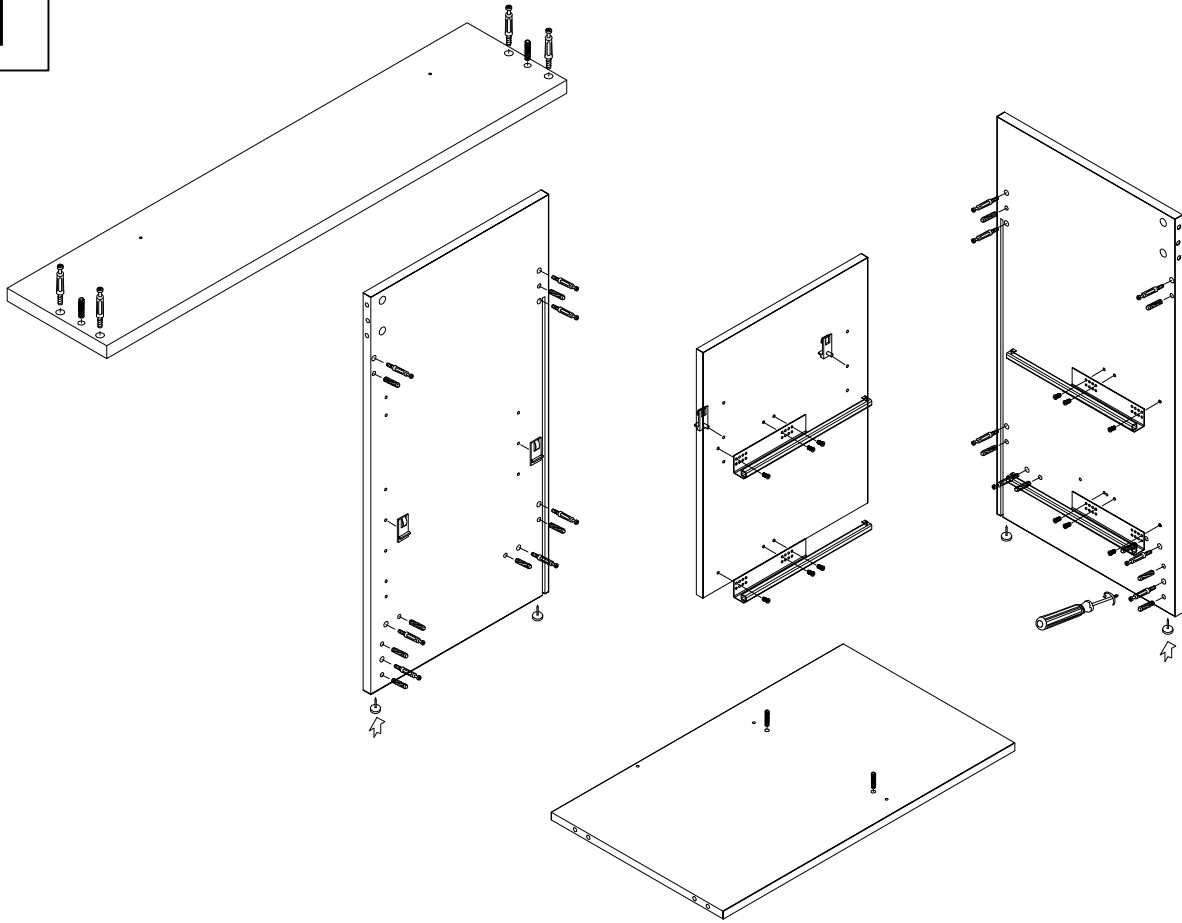
Level

Supplied Spare Part

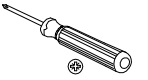
(A) Handles.		X3	(B1) Screws M4x25.		X6
			(B2) Screw gasket		X6
(C) Hinges		X2	(D) 8x30-dowels		X18
(E) Bottom soft close		X2	(F) small brackets		X1
(G1) eccentric		X36	(H) 3.5x14-screws		X4
(G2) cams		X36			
(I) shelf supports		X4	(J) 4x37-screws		X23
(K) shackles		X4	(L) big brackets		X1
(M) 4x30-screws		X2	(N) H-beam connection		X1
(O) screws		X16			



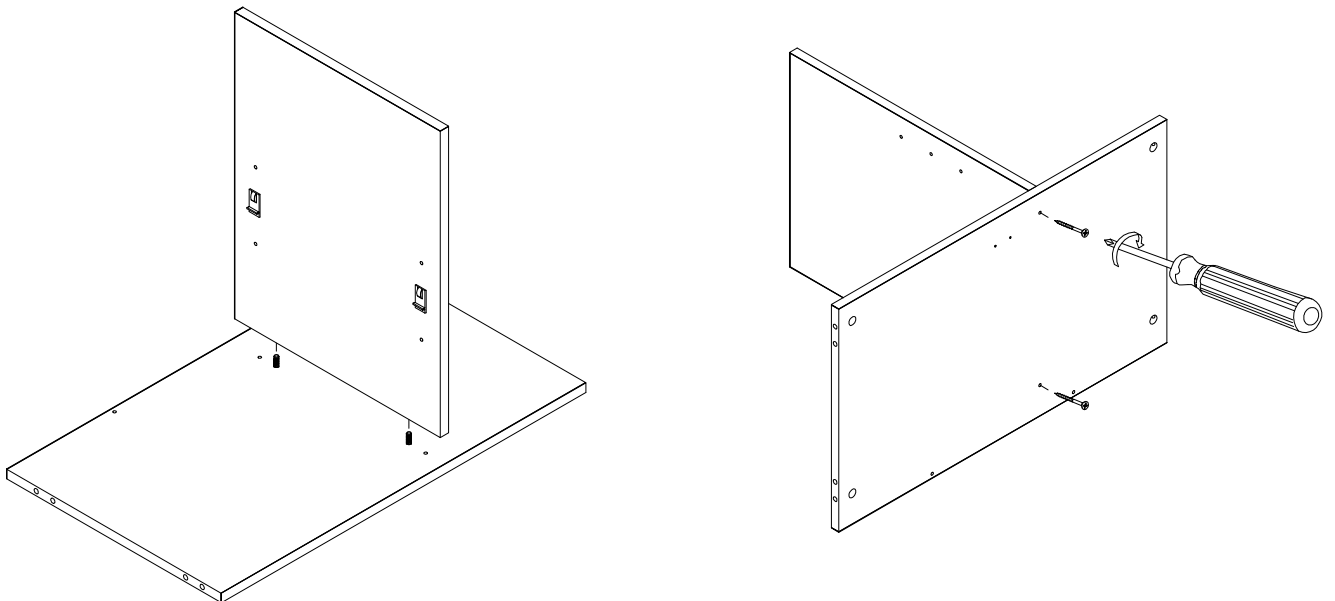
1



(J)

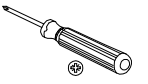


2

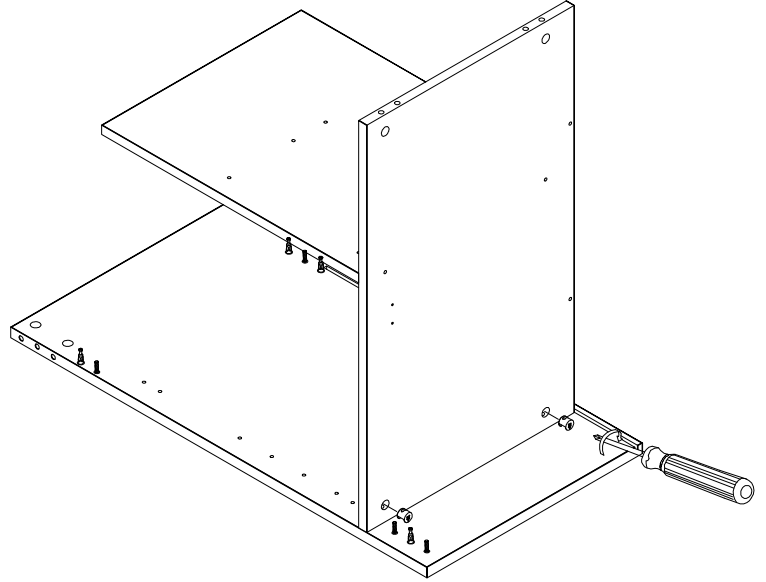
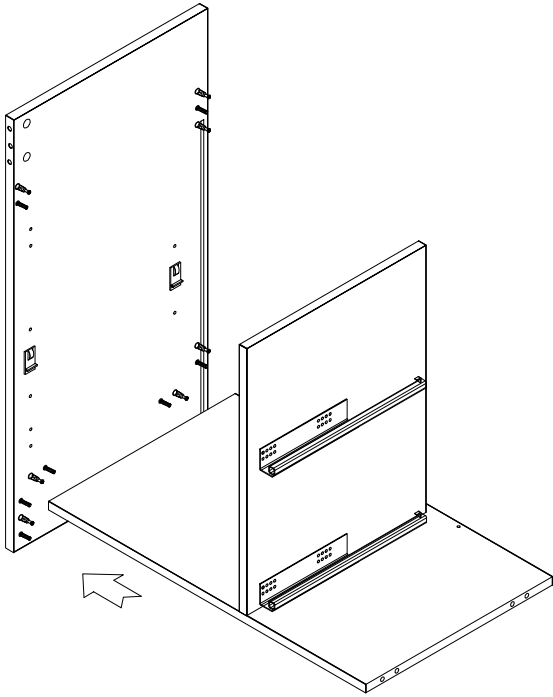


3

(G1)



3



Tighten eccentric cams

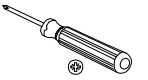
(G1)



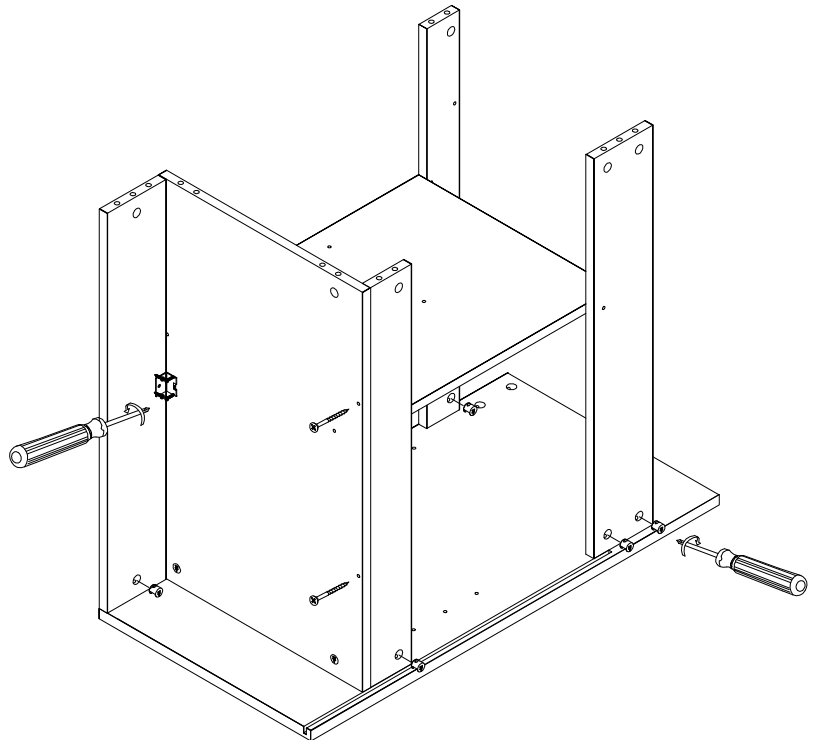
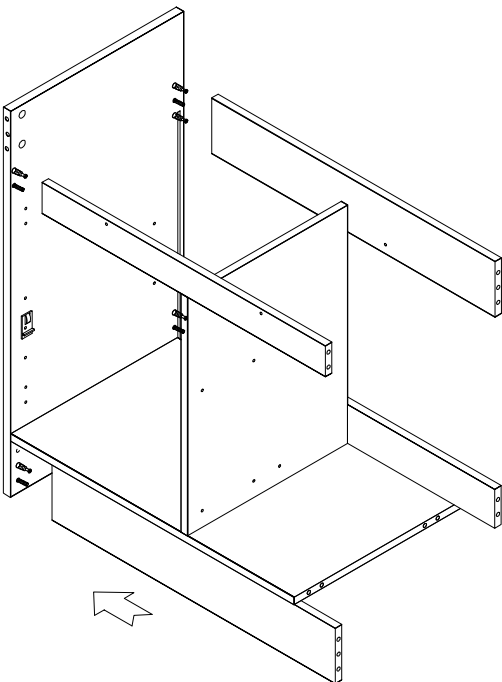
(L)



(H)



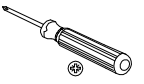
4



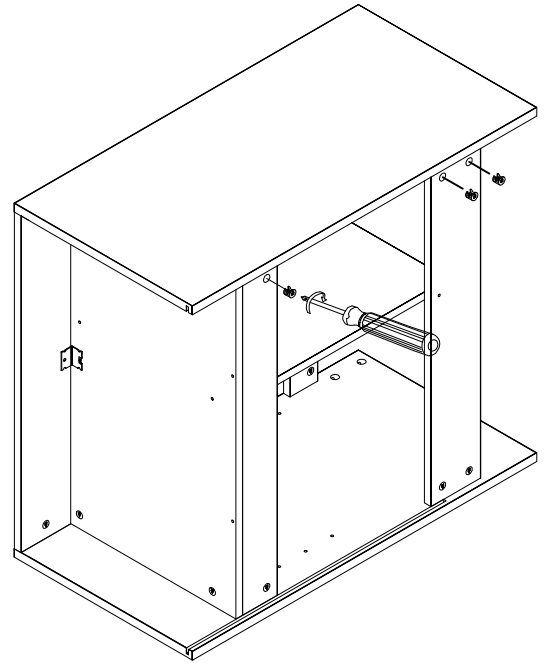
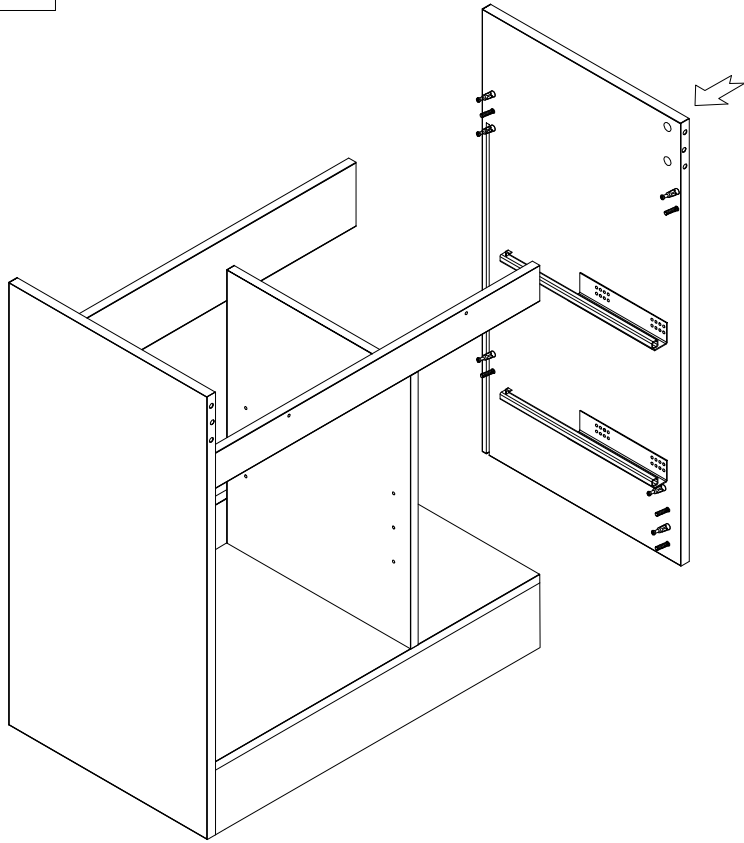
Tighten eccentric cams

4

(G1) 

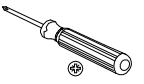


5

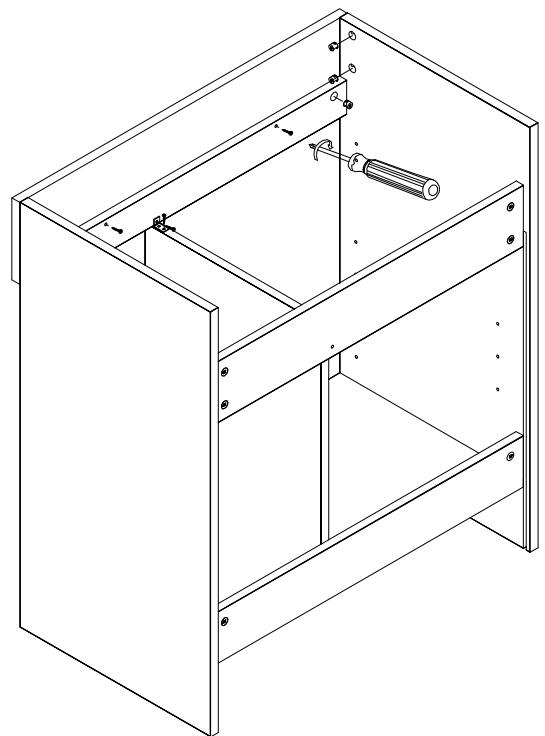
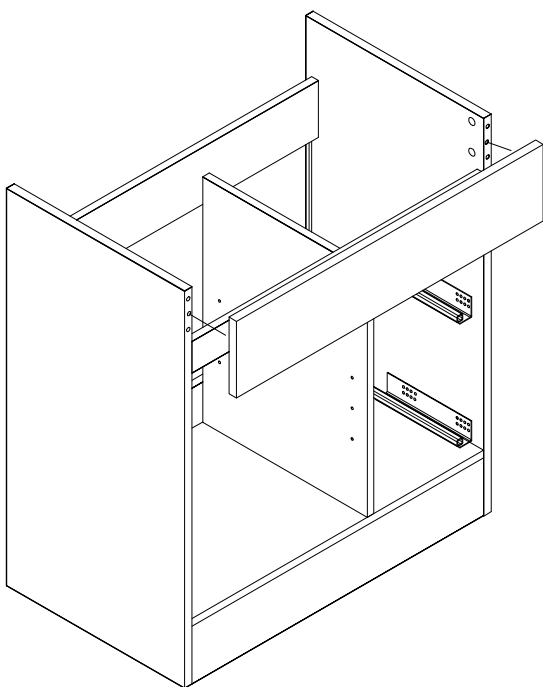


Tighten eccentric cams

(G1)  (M) 

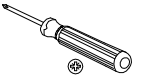


6

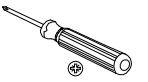
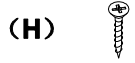
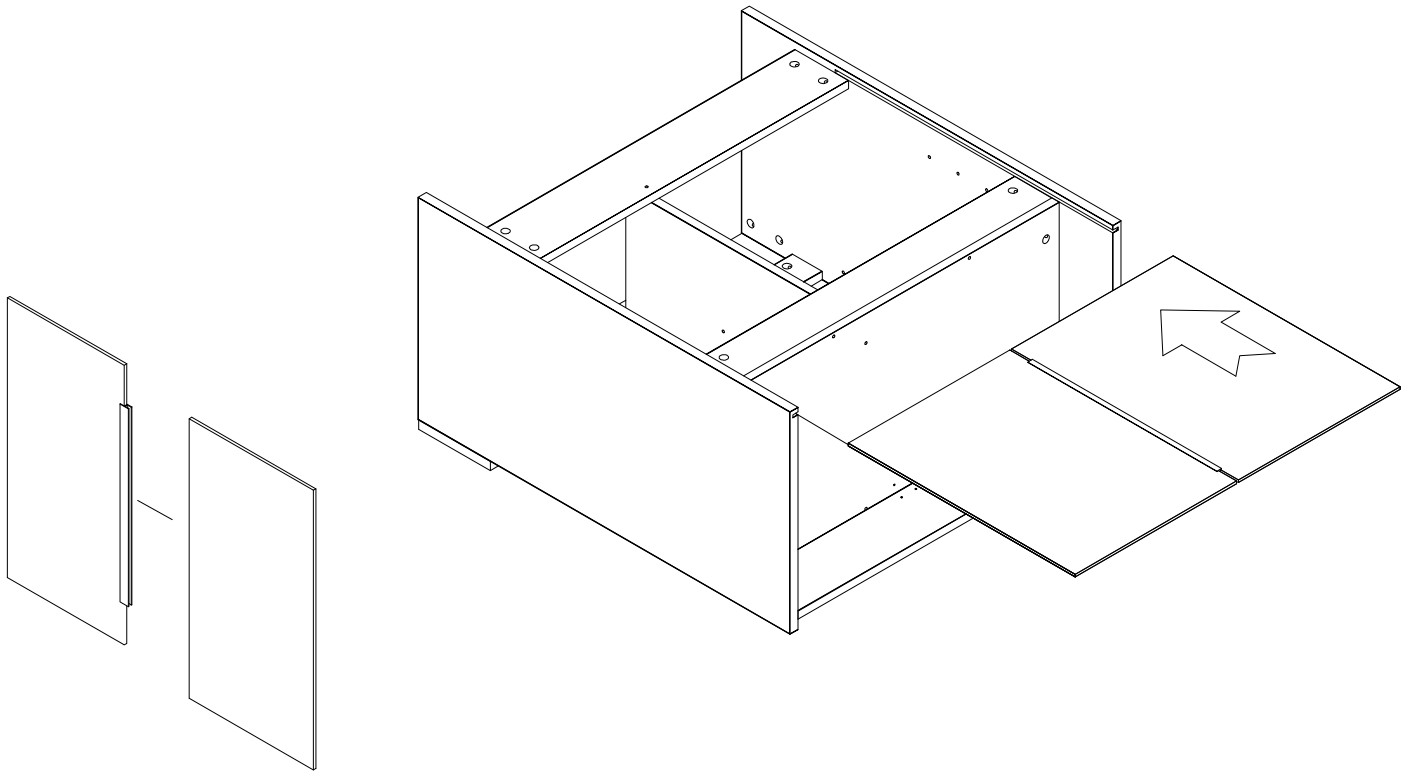


Tighten eccentric cams

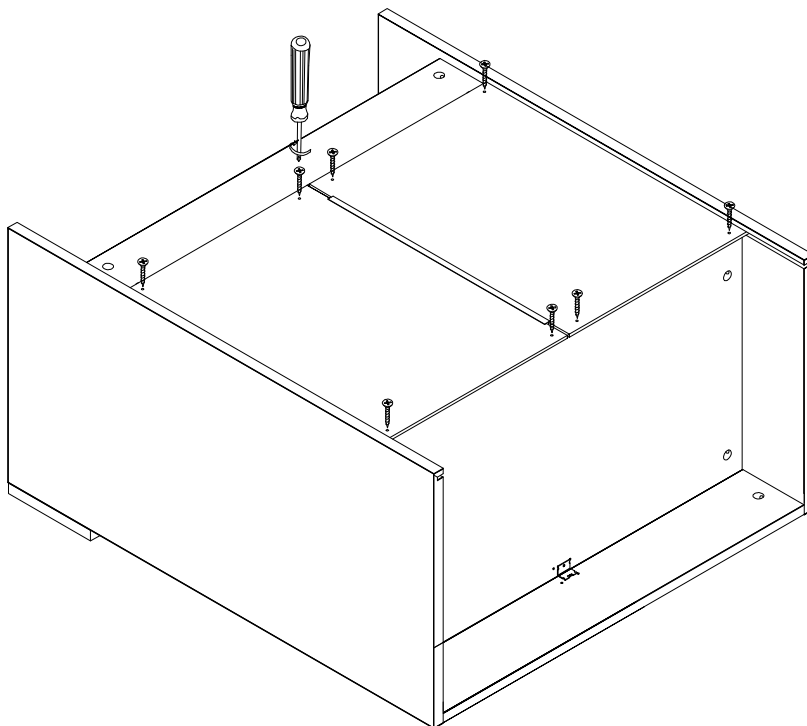
5



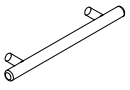
7



8



(A)



(B1)



(B2)



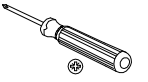
(J)



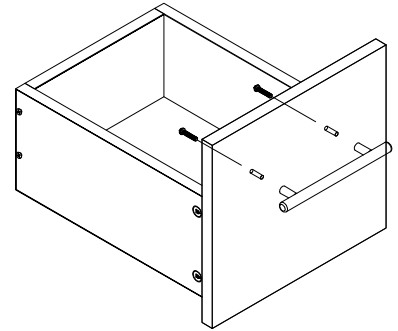
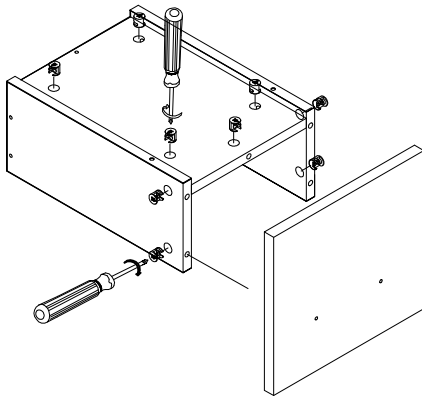
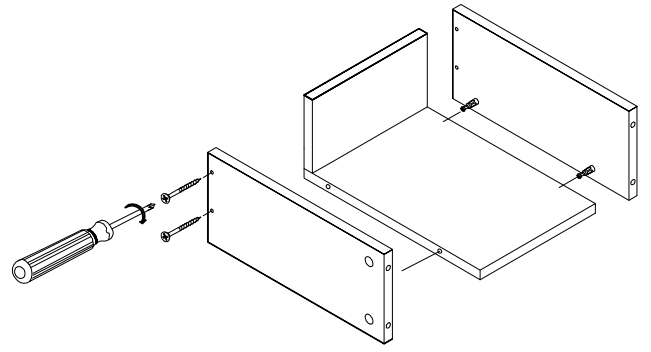
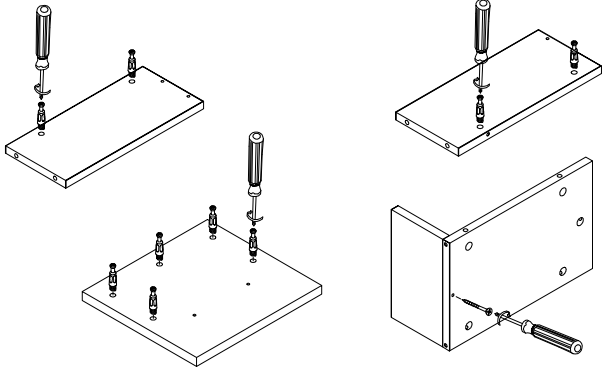
(G2)



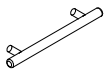
(G1)



9



(A1)



(B1)



(B2)



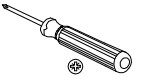
(J)



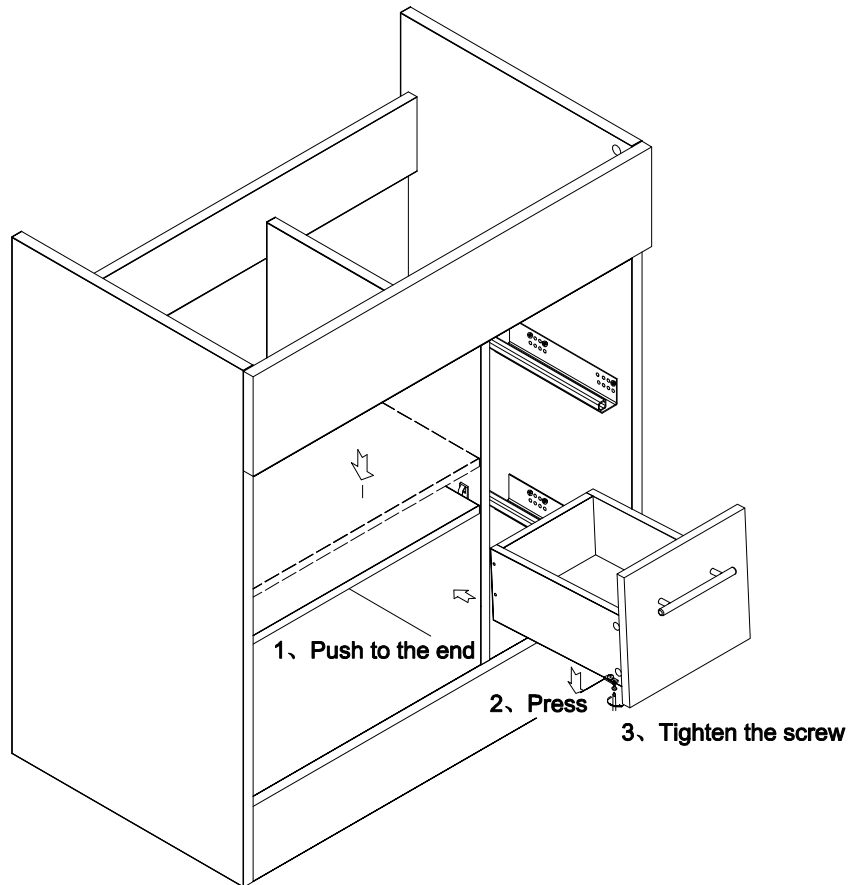
(G2)

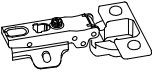

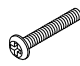
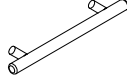


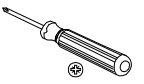
(G1)



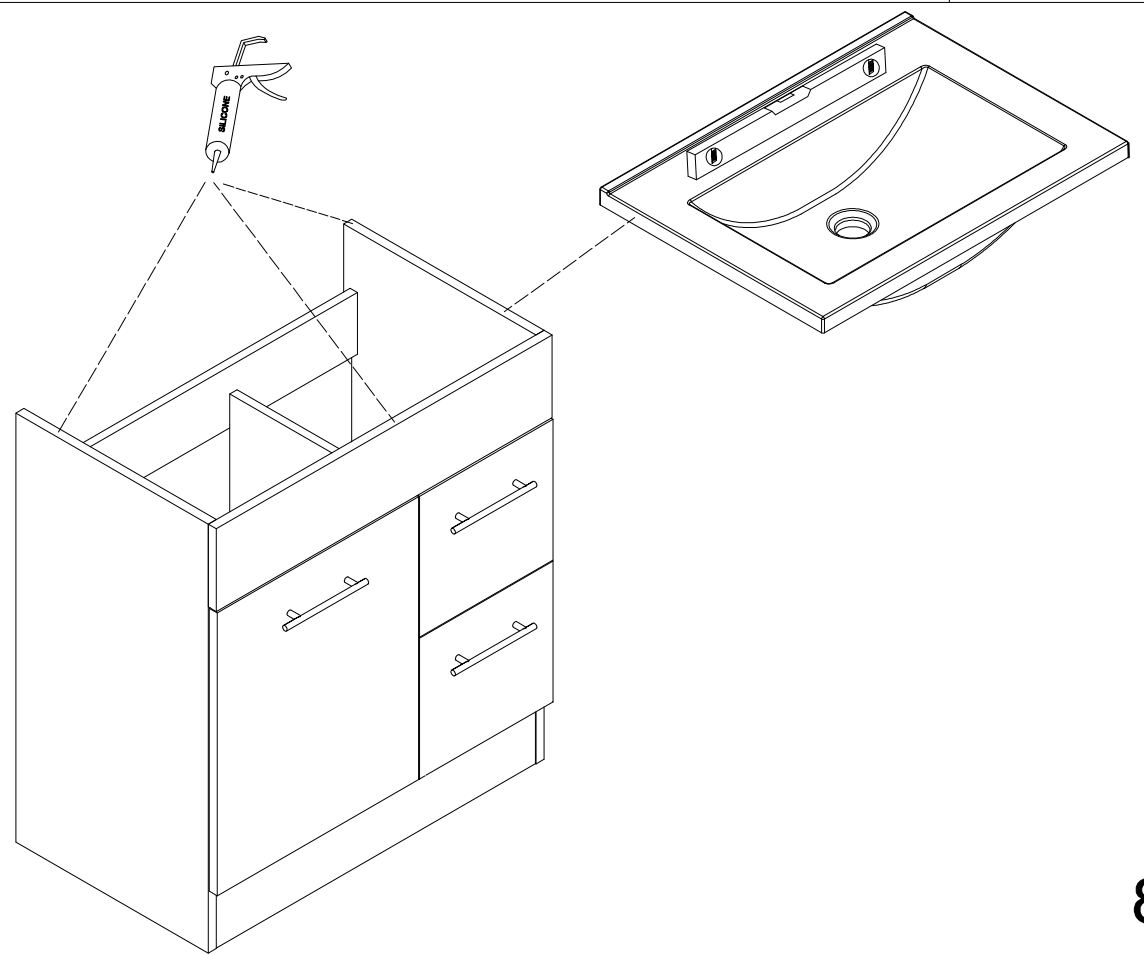
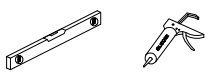
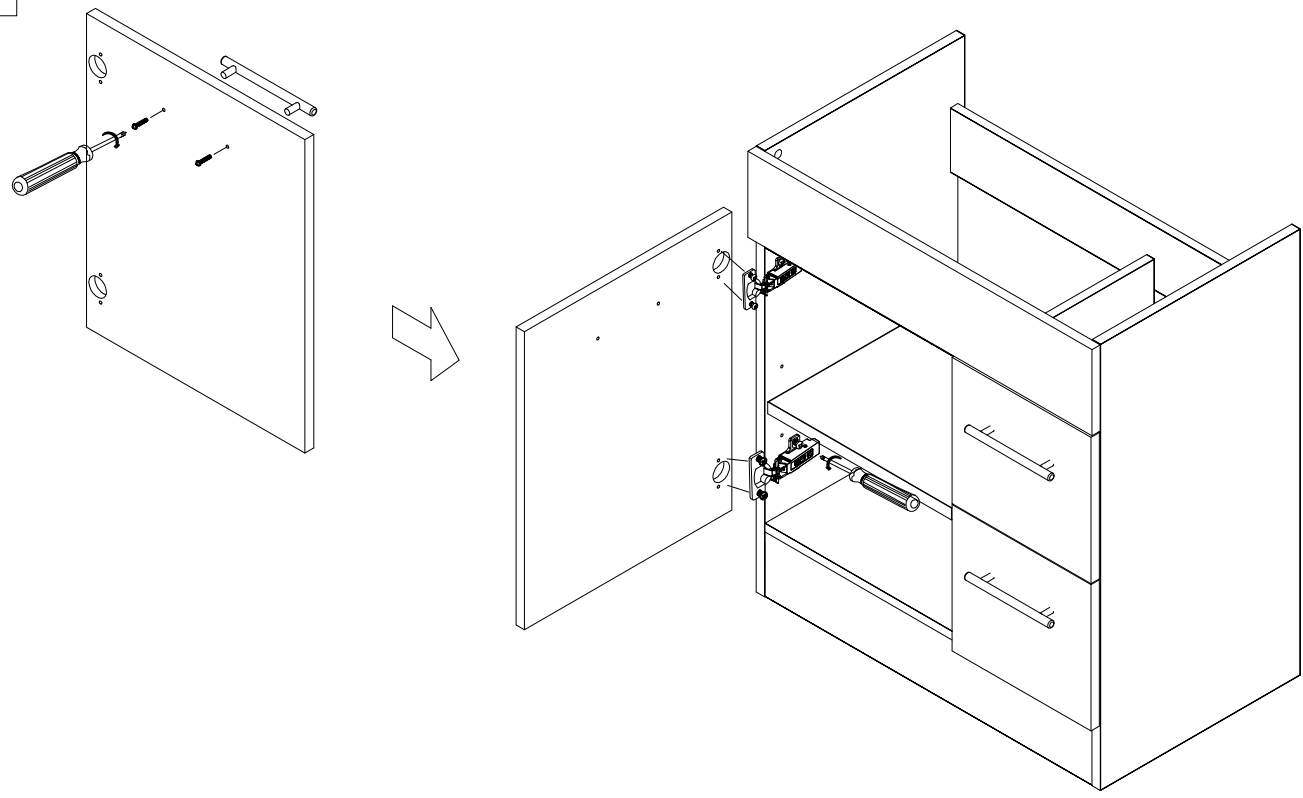
10



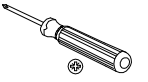
- (C) 
- (B2) 
- (B1) 
- (A) 



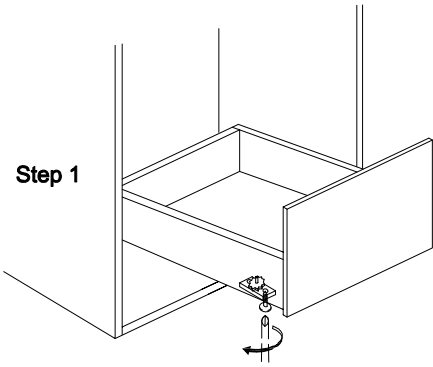
11



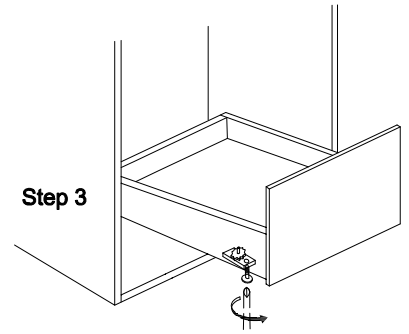
Bottom soft close runner adjustment



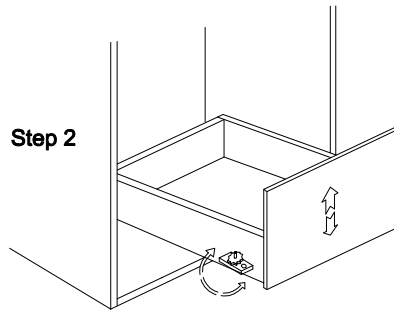
Step 1



Step 3



Step 2



Hinge adjustment

