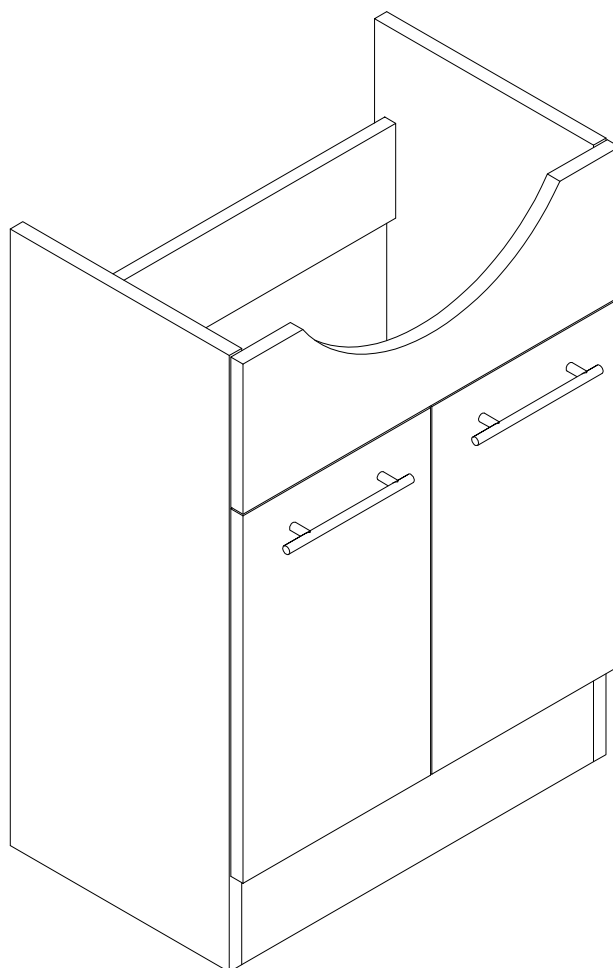
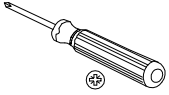


INSTALLATION INSTRUCTIONS

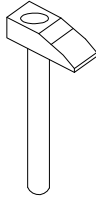
Code:GVR-60



Required Tools



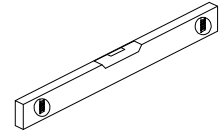
Screwdriver



Hand hammer

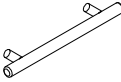







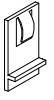

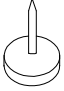


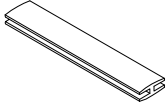




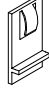
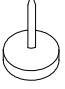
Screwdriver

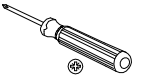


Level

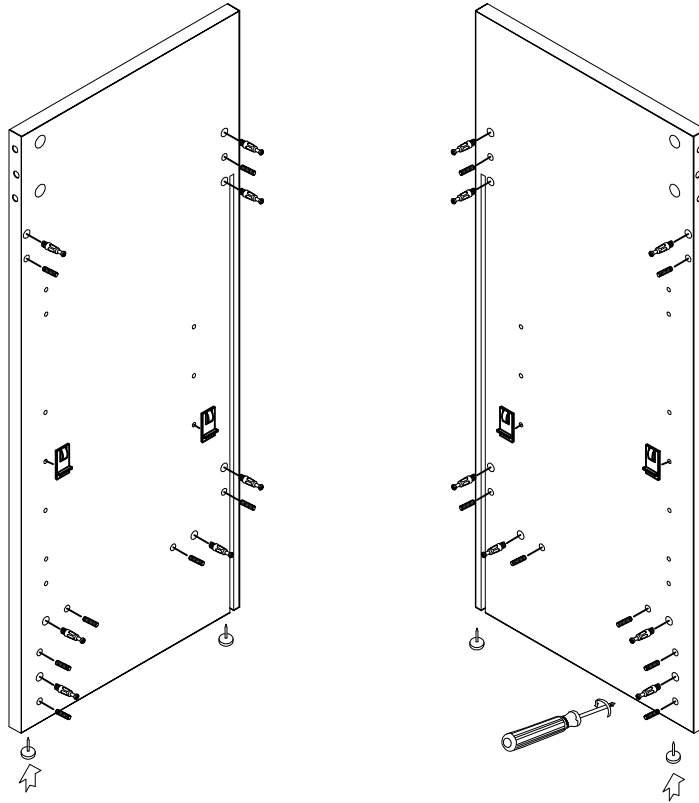
Supplied Spare Part

(A) Handles.		X2	(B1) Screws M4x25.		X8
			(B2) Screw gasket		X8
(C) Hinges		X4	(D) 8x30-dowels		X18
(E1) eccentric		X18	(F) 3.5x14-screws		X4
(E2) cams		X18			
(G) shelf supports		X4	(H) 4x37-screws		X1
(I) shackles		X4	(J) big brackets		X2
(K) 4x30-screws		X2	(L) H-beam connection		X1

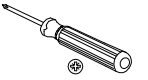
(E2)  (D)  (G)  (I) 



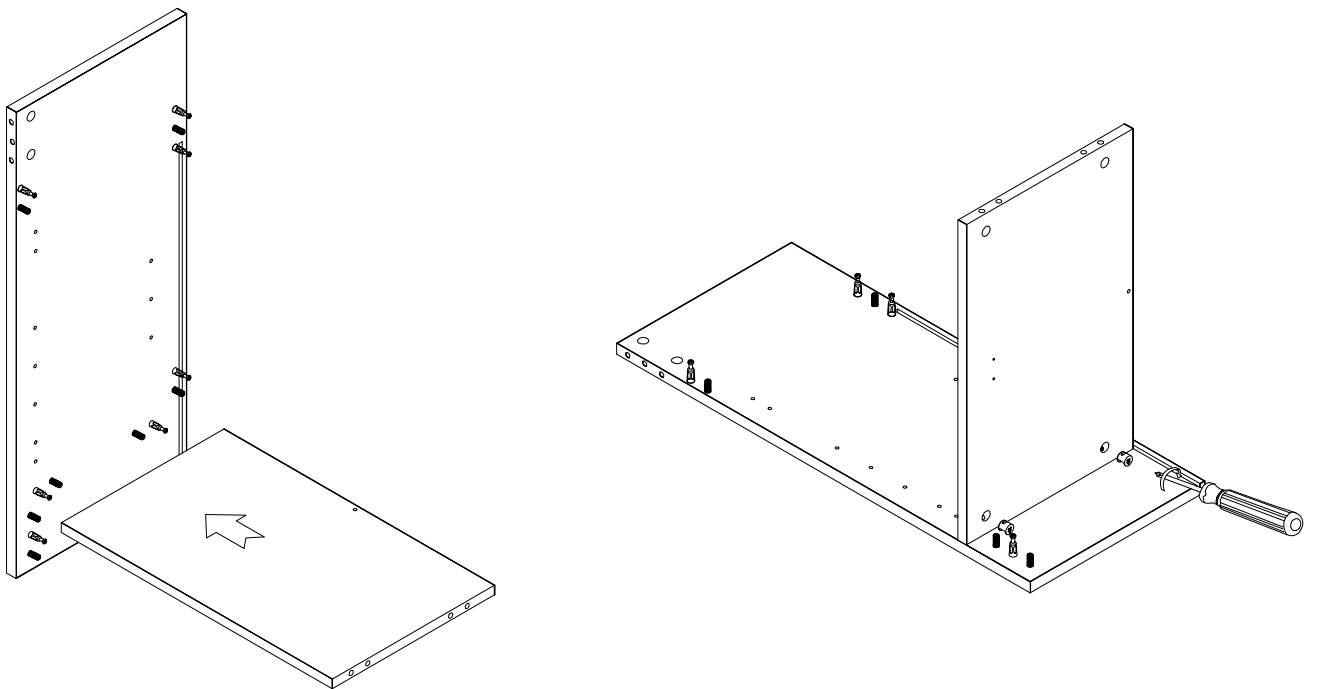
1



(E1) 



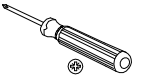
2



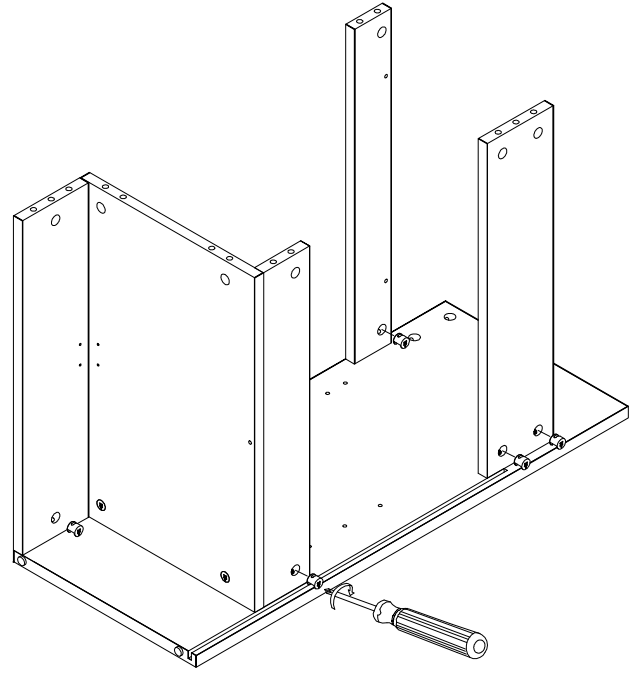
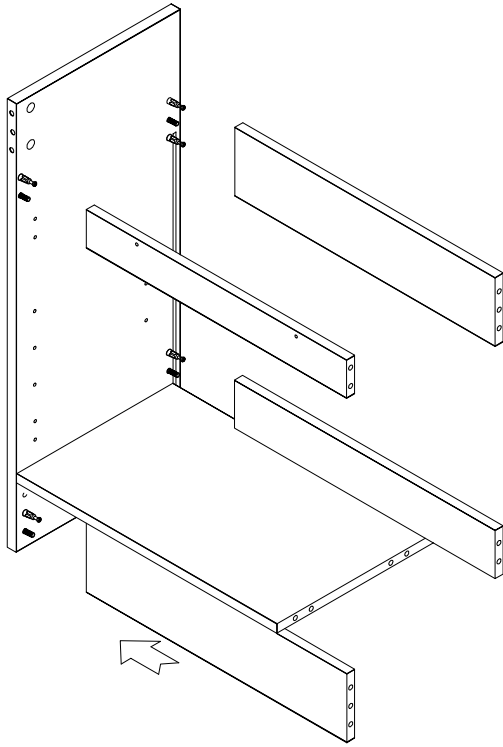
Tighten eccentric cams

3

(E1) 

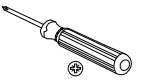


3

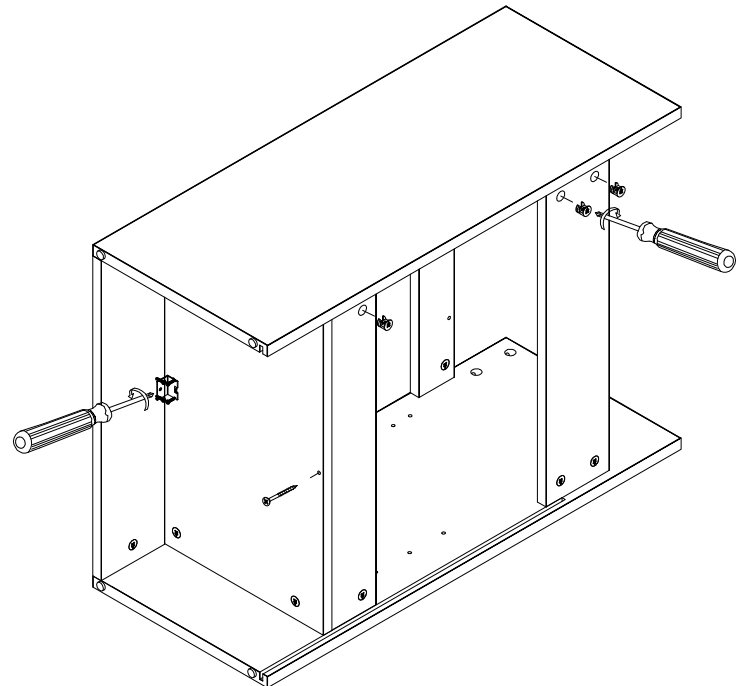
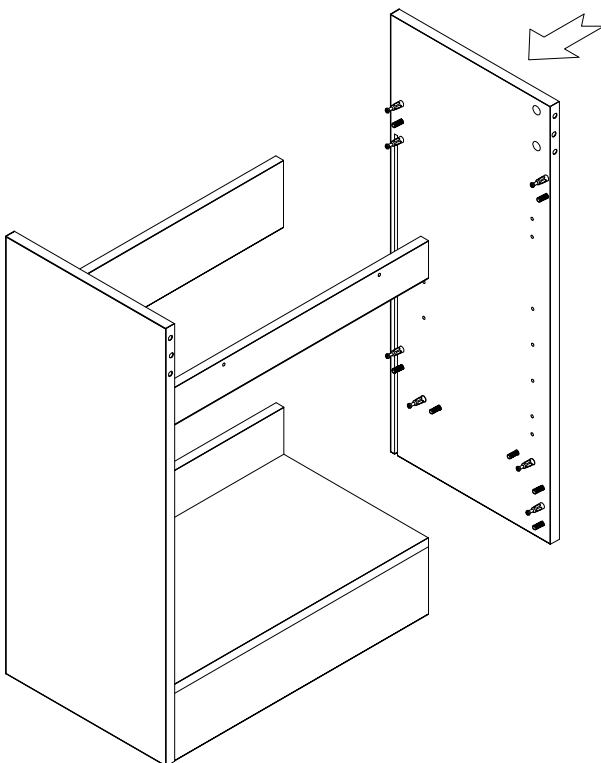


Tighten eccentric cams

(E1)  (J)  (F)  (H) 



4



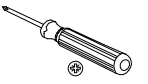
Tighten eccentric cams

4

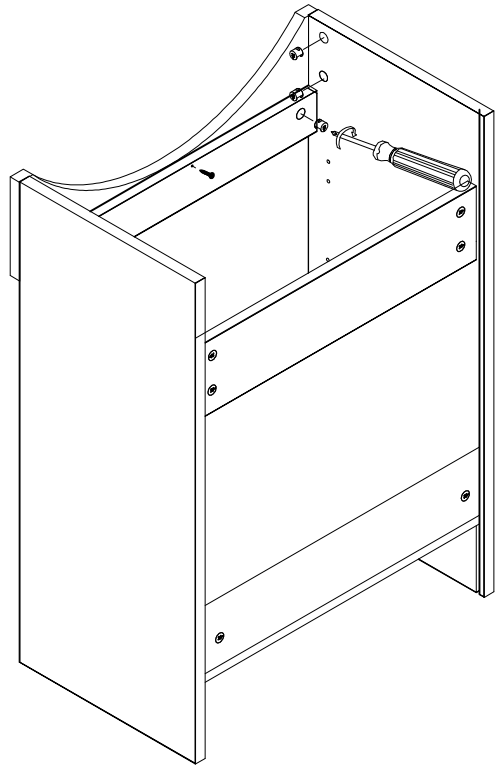
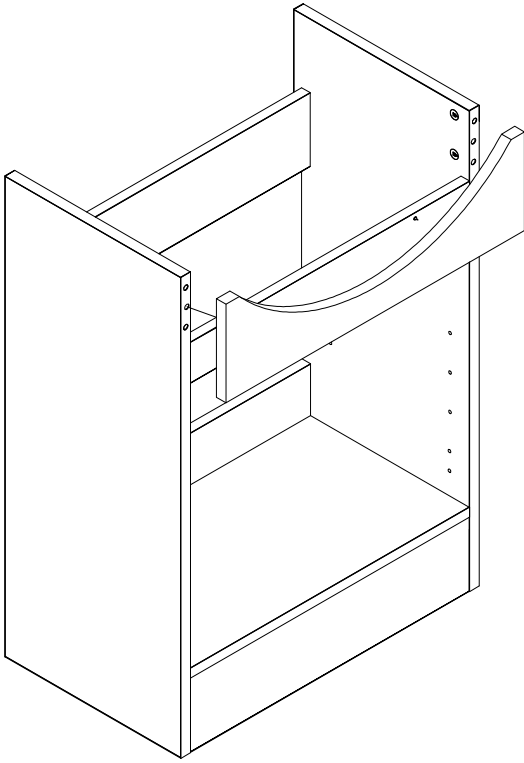
(E1)



(K)

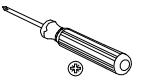
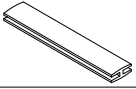


5

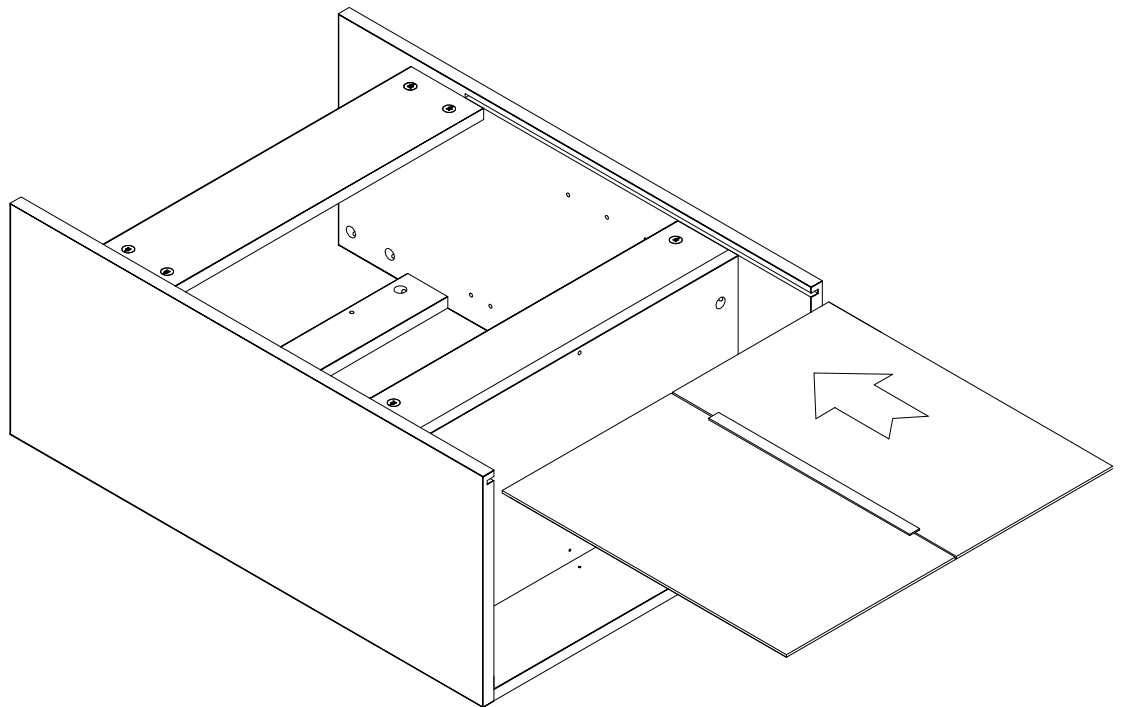
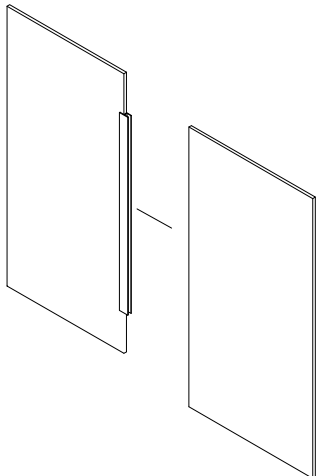


Tighten eccentric cams

(L)

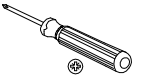


6

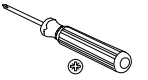
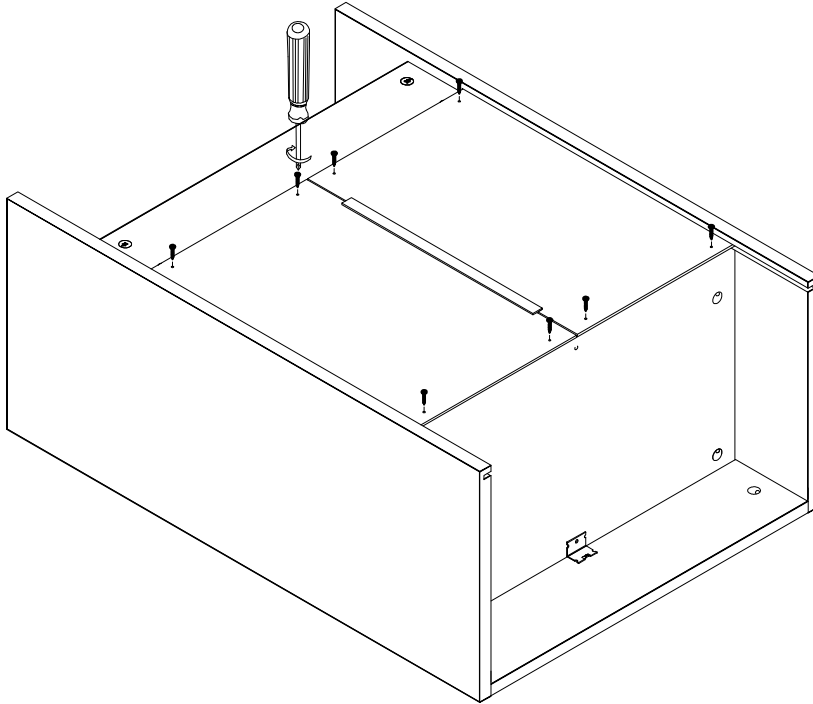


5

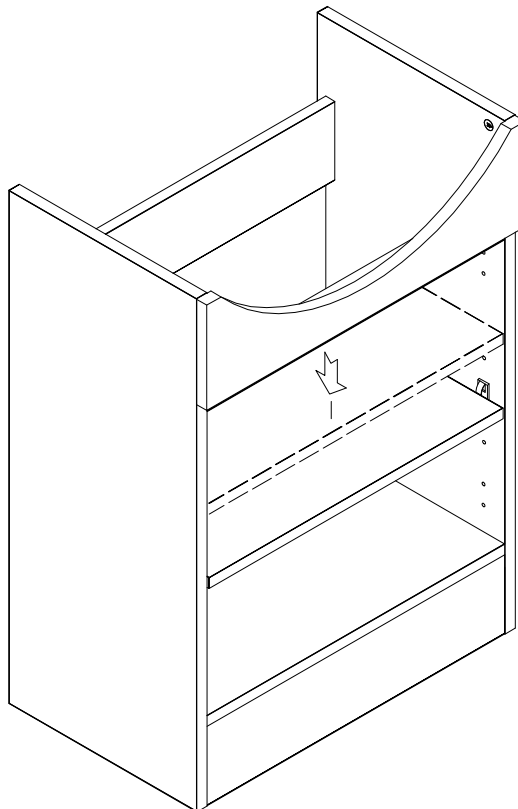
(F)



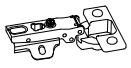
7



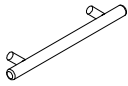
8



(C)



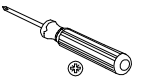
(A)



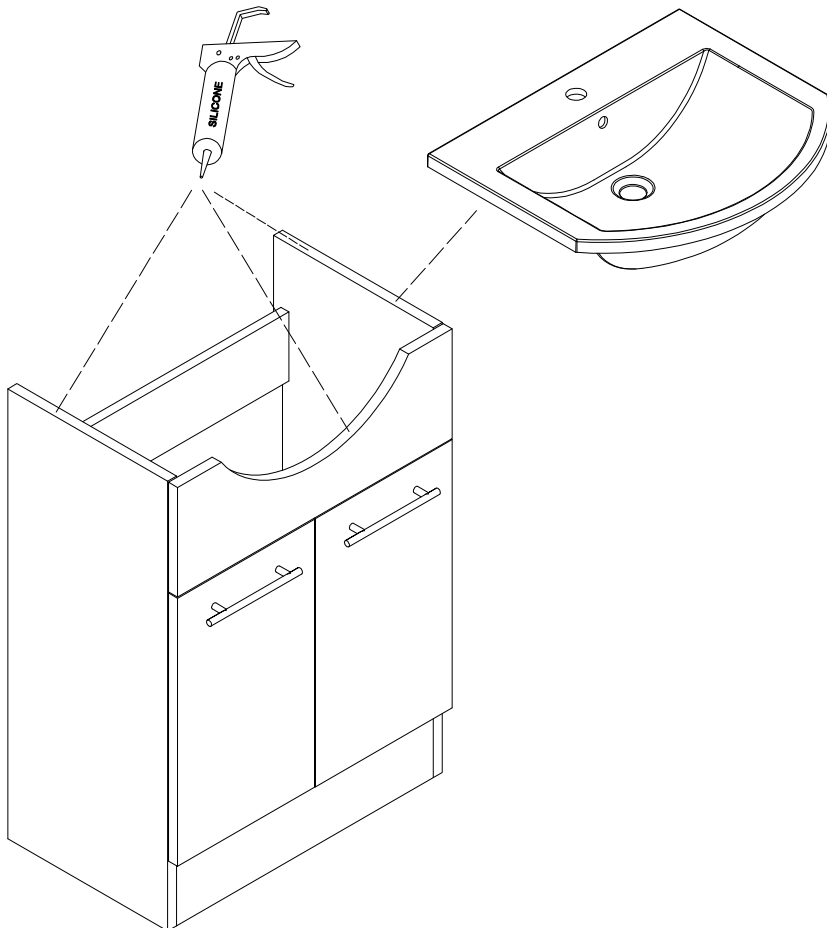
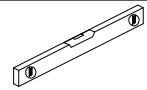
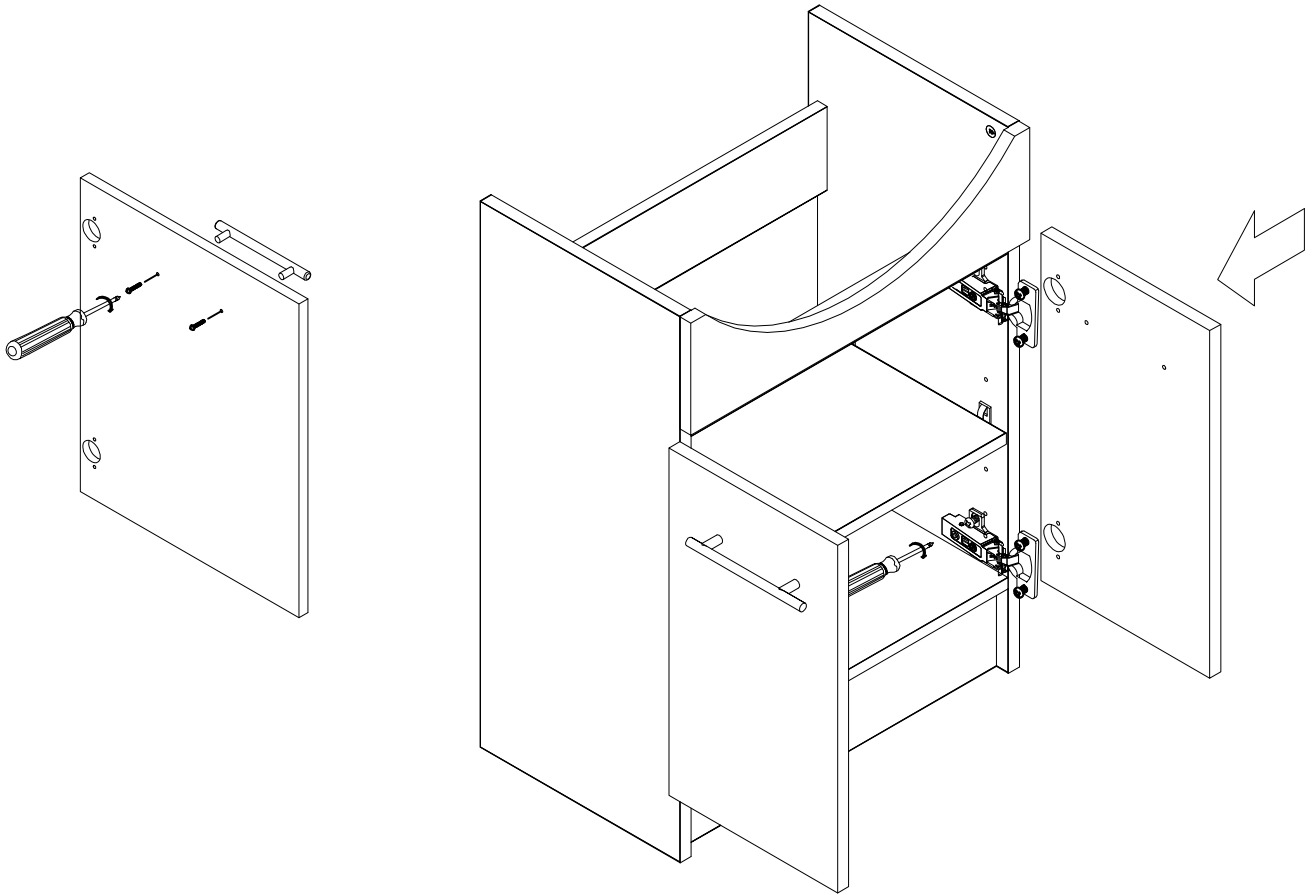
(B1)



(B2)

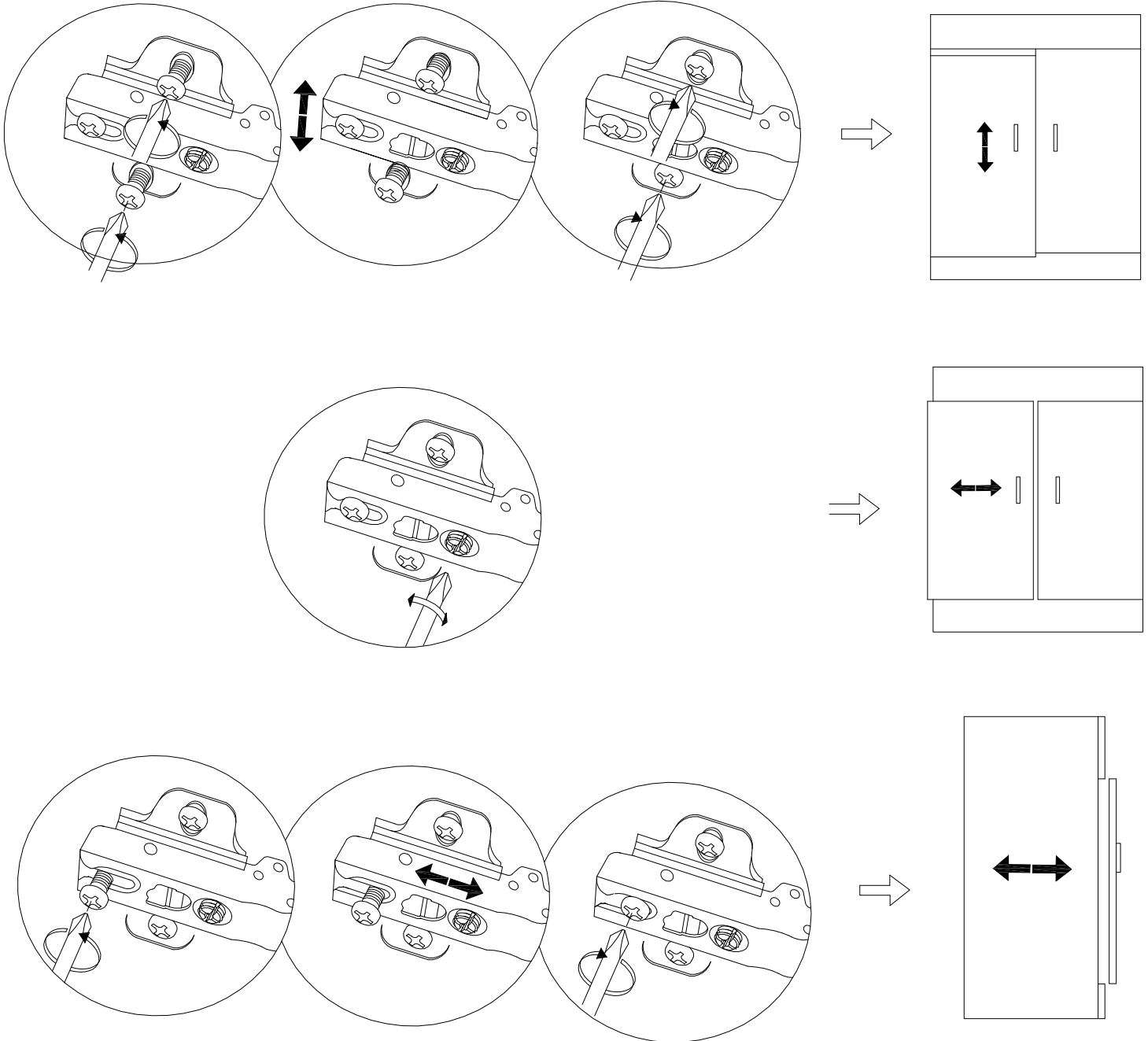
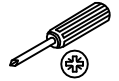


9



7

Hinge adjustment



It is very important to ensure that the unit is level & plumb, using a spirit level. This will ensure that doors and drawers (where applicable) will be square within the frame. There is a small amount of final adjustment within door & drawer components if necessary after installation - see details above.