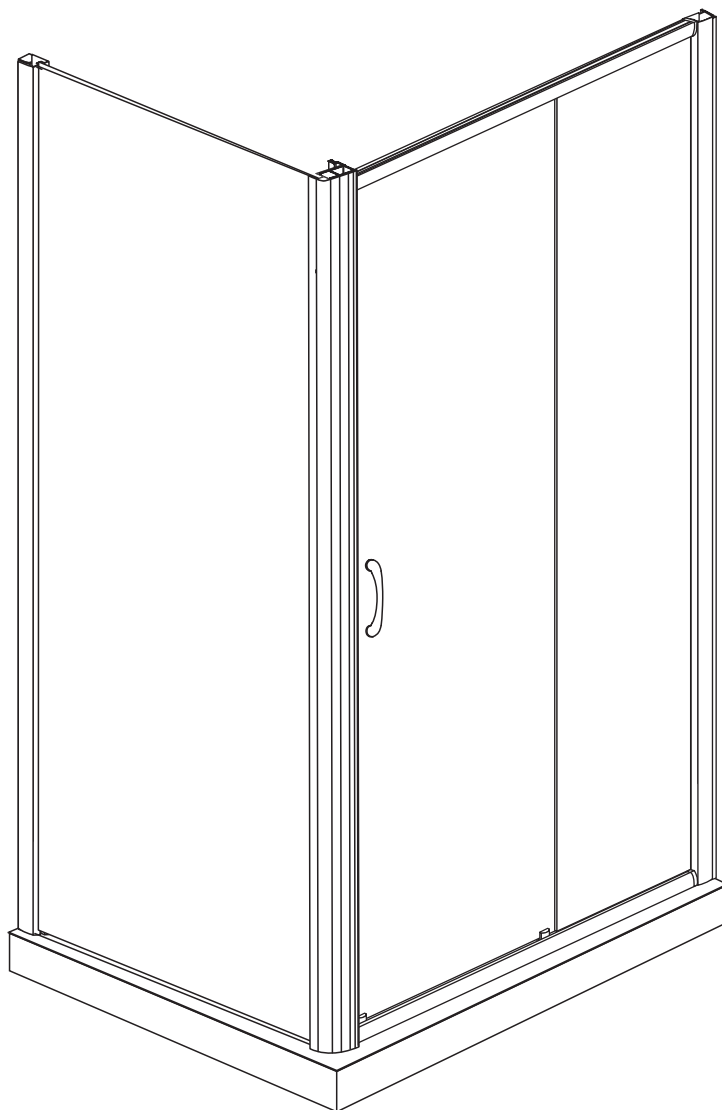


CT1231 Instruction Manual



◆ General Information

Please inspect the product immediately upon receipt for transit damage, missing packs/parts or manufacturing fault. Damage reported later cannot be accepted. Please handle the product with care avoiding knocks and shock loading to all sides and edges of the glass.

Notes: Safety glass can not be re-worked.

Please read these instructions carefully before start of installation.

Special care should be taken when drilling walls to avoid hidden pipes or electrical cables.

Note: This product is heavy and may require two people to install.

Aftercare instructions

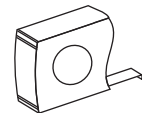
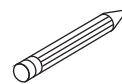
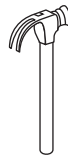
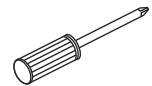
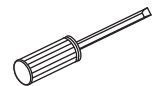
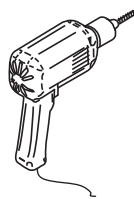
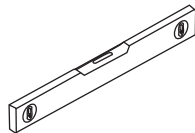
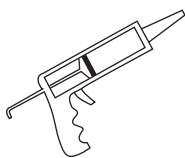
After use, your shower should be cleaned with soap and water. This is particularly important in hard water districts where insoluble lime salts may be deposited and allowed to build up.

Cleaners of a gritty or abrasive nature should not be used. Care should be taken to avoid contact with strong chemicals such as organic solvents and strippers.

Glass cleaners can be used but with caution, if in doubt contact the manufacturer of the cleaner in question.

Please keep these instructions for aftercare and customer service details.

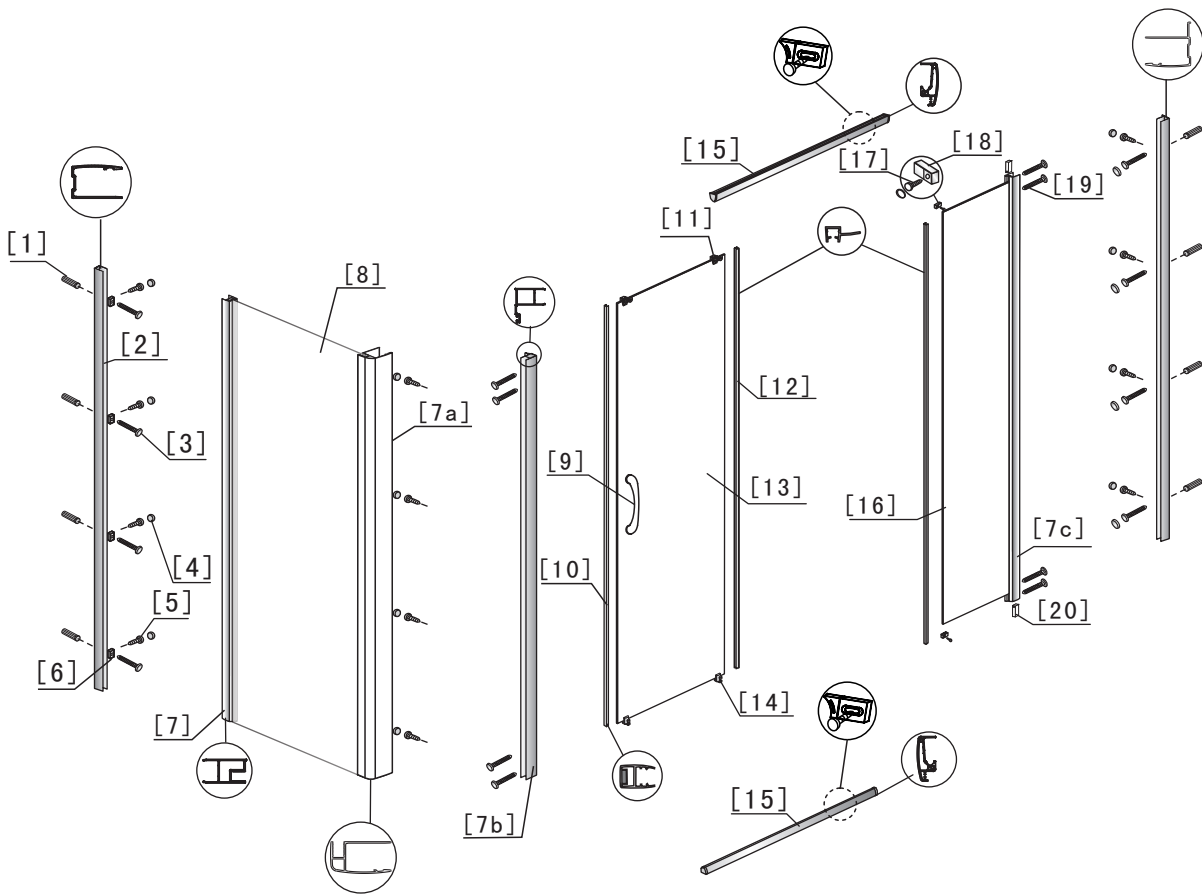
Tools Required



This product is heavy and may require two people to install.



◆ Assembly Drawing

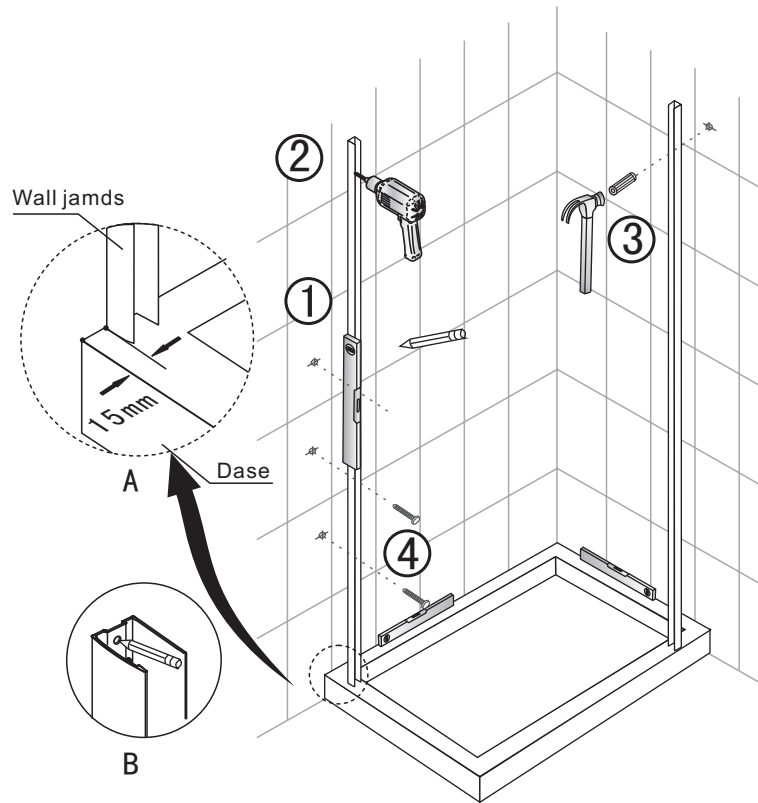


Item no.in exploded drawing picture	Discription	Q'TY
1	Wall Plugs	8
2	Wall Post	1
3	Screws M4x35	16
4	Screw Cover Caps	16
5	Screws M4x8	12
6	Bumper Mouldings	4
7	CT- Post	1
7a	CT- Post	1
7b	CT- Post	1
8	Big Fixed Panel	1
9	Magnetic Seal	1
10	Handle Seal	1

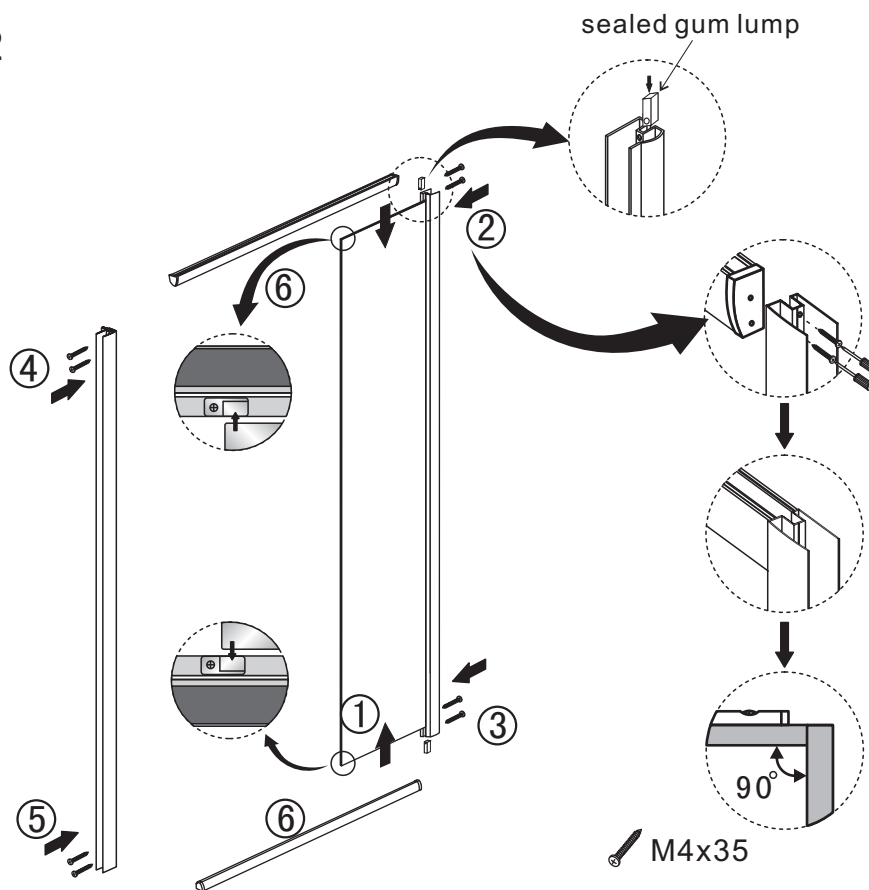
Item no.in exploded drawing picture	Discription	Q'TY
11	Top Rollers	2
12	Water Deflector	1
13	Door Panel	1
14	Bottom Rollers	2
15	Rails	2
16	Fixed Panel	1
17	Screws M4x12	2
18	Bumper Blocks	2
19	Screws M4x35	8
20	Sealed Gum Lamps	2
21	Set Pieces	2

◆ Installation Steps

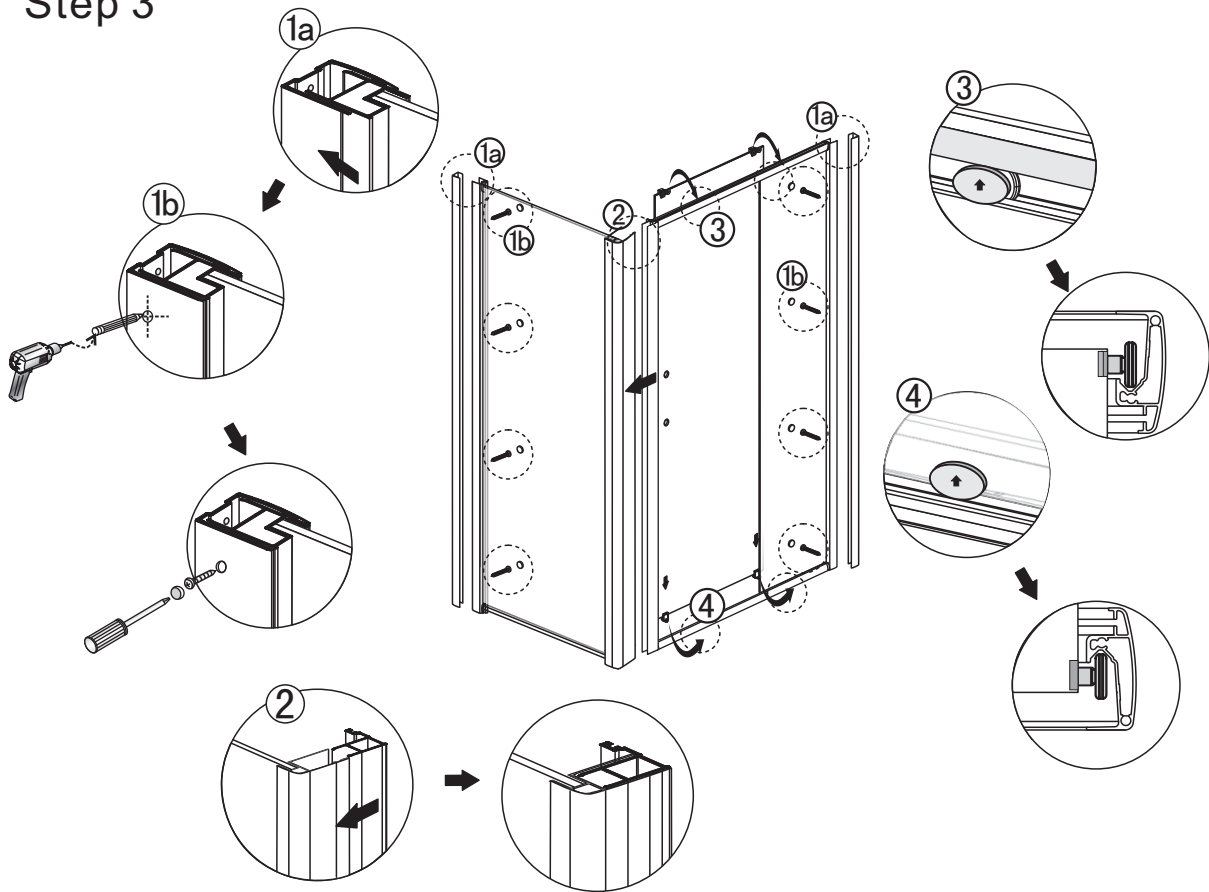
Step 1



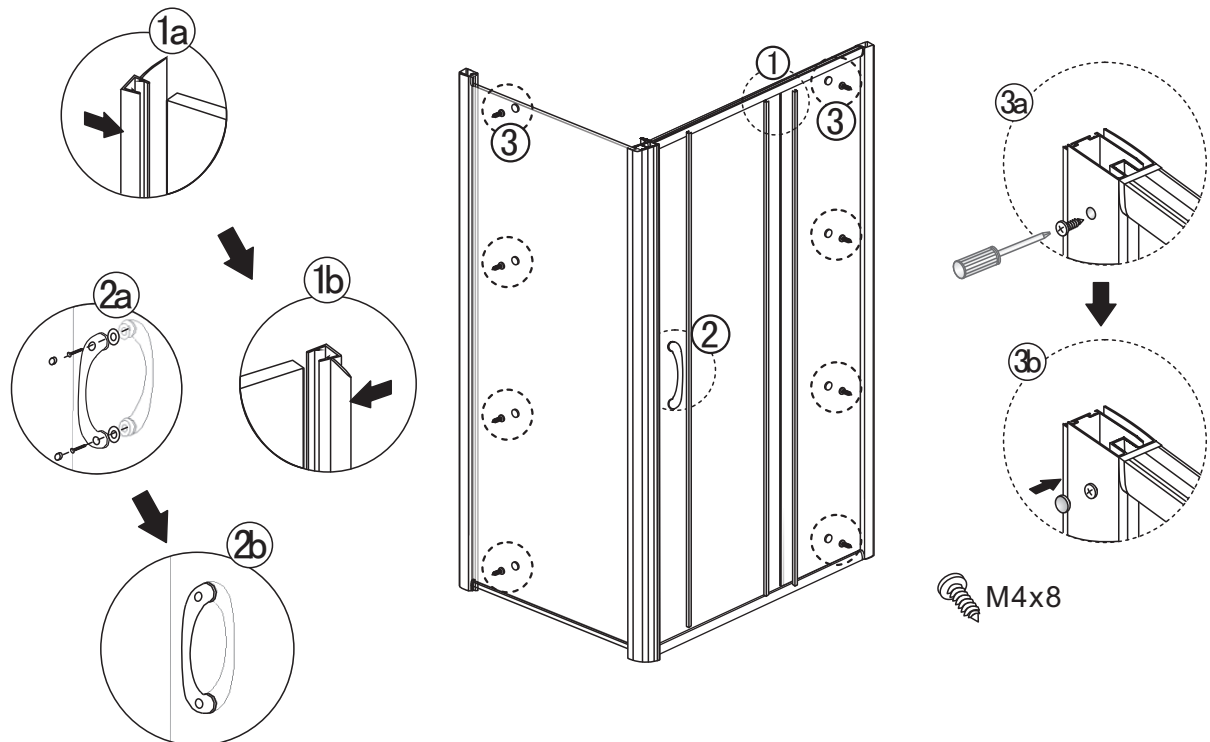
Step 2



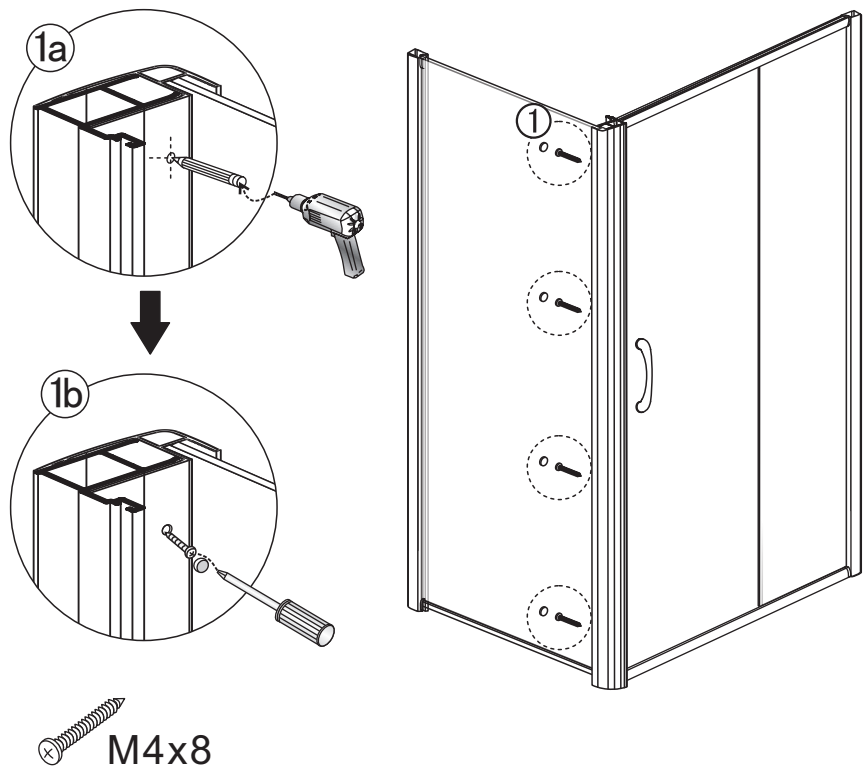
Step 3



Step 4



Step 5



Step 6

