

athena

B A T H R O O M S

Installation Instructions

1200 x 900 Door & Return

Please Note:

If you are installing a 1200 Alcove Door please refer to the Instructions provided with the Door



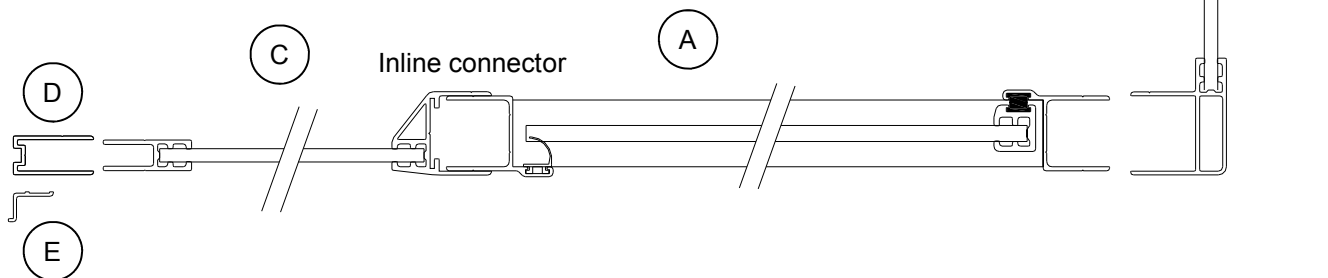
**Before Installation please check that your shower enclosure system is undamaged
Please read these instructions carefully**

TOOLS REQUIRED

- Electric or Cordless Drill
- No.1 Square Drive screwdriver or screwdriver bit
- Spirit Level
- Soft Pencil
- 3.0mm Twist Drill Bit
- Tape measure
- Caulking gun
- Sharp knife
- Hacksaw with fine tooth blade (18 TPI)
- Masking Tape

COMPONENTS

Number	Description	Quantity
A	Door Assembly	1
B	Return Panel Assembly (includes Return Sill)	1
C	Take up Panel (includes Take up Sill)	1
D	Return Wall Starter	1
E	Cover Trim	2



Installation Components

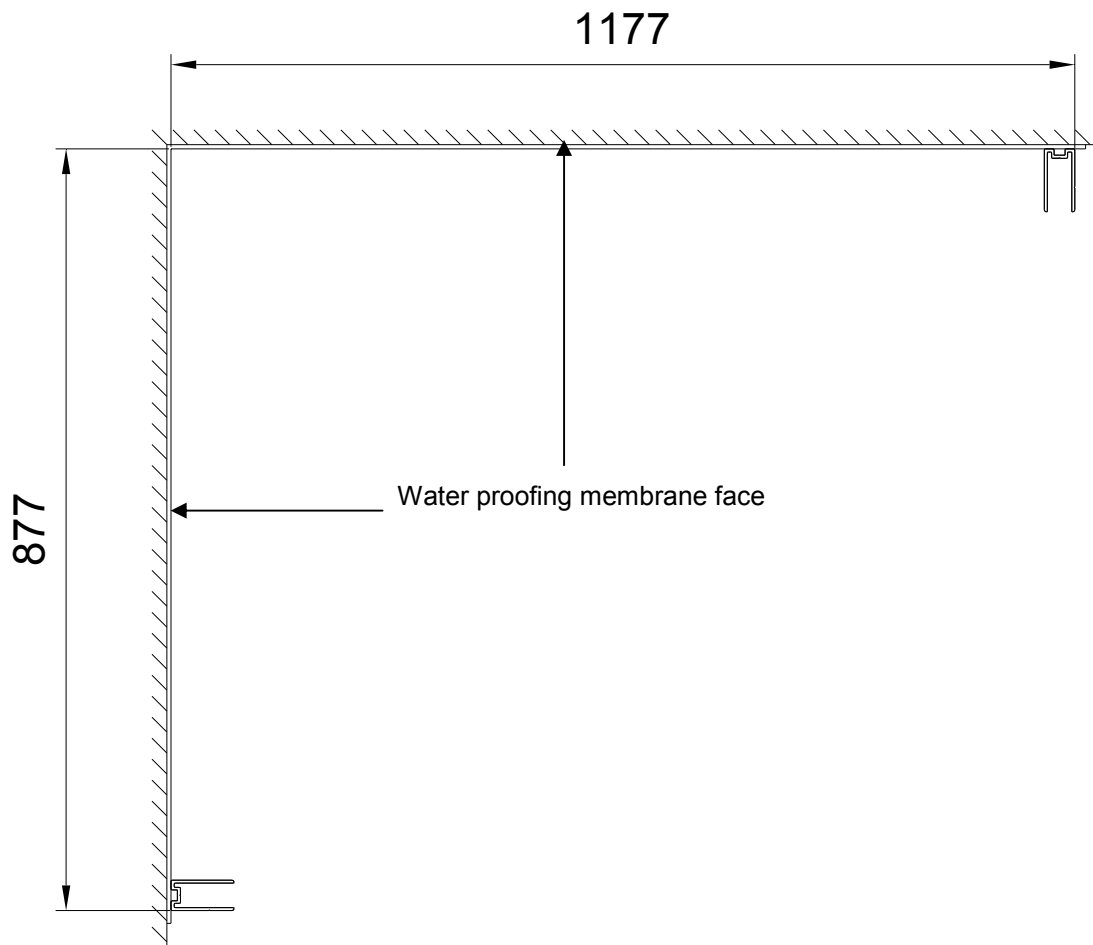
Door Handle Set	1
Drip Seal Set	1
Brace bracket	1
Glass Brace	1
Chrome Wall Bracket (for glass)	2
Chrome Glass to Glass bracket (for glass brace)	1
No.6 x 10 Pan Pozi Stainless steel screw	19 (7 are packed with the Take up)
No.6 x 40 Pan Pozi Stainless steel screw	6 (Packed with the Door)
NG Silicone sealant	1
Adhesive Tape (Pad)	1
Screw Caps	19 (7 are packed with the Take up)
Cleaning Towelettes (only supplied with White Showers)	2
Instructions	1 (Packed with the Take up)

WALL STARTER POSITIONS

Acrylic wall liner or tiles on an Athena acrylic tray – All sizes

Set the outside face of the Wall Starters 10mm in from the front edge of the acrylic tray

Tiled walls with tiled floor



IMPORTANT:

Wall Starters must be **mounted & sealed to the Water Proofing Membrane Surface BEFORE Tiling**. Failure to do so will reduce range of adjustment of the door set which may prevent it from being installed on the tray.
Sealing to the Water proof membrane will also ensure water is contained within the confines of the shower

The shower enclosure is fully reversible, before commencing the installation the Door and Return positions must be established

INSTALL THE DOOR AND RETURN STARTERS

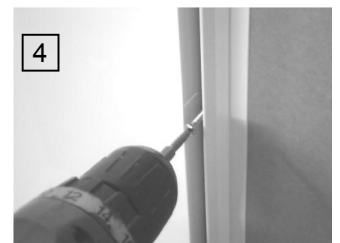
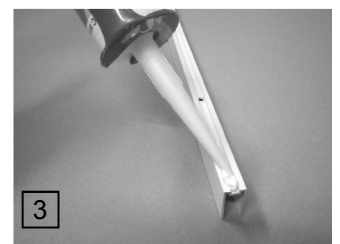
- Determine which side the Take-up panel will be installed.
- There will be one extra Door Starter that is not required and can be discarded

The Vee groove on the legs of the profiles will always be on the inside of the shower

1. Position the Return Starter according to the specifications on Page 3
Using a spirit level ensure the Return Starter is plumb

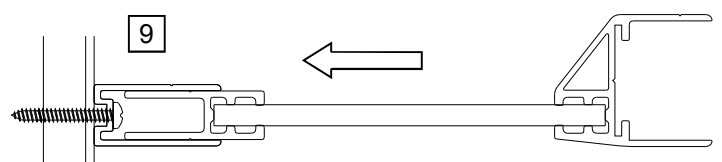
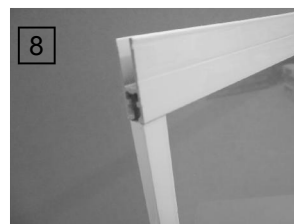
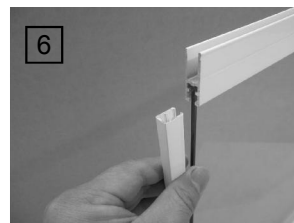
NOTE: The Vee groove on the legs of the Wall profiles will always face to the inside of the shower

2. Drill 3 equally spaced holes down the length of the Return starter and into the wall using a 3.0 mm twist drill
- 2a **For white showers – take one of the Cleaning Towelettes and wipe the rear of the of the Door Starter. Allow to dry (1-2 minutes). Return the Towelette into its packaging so it can be used on the opposite Wall Starter**
3. Before screwing the Starter to the wall apply a continuous full length bead of NG silicone sealant in the groove on the rear of the Return starter
4. Screw the Return starter to the wall using the No.6 x 40mm stainless steel screws provided. If there are no studs to fix to wall anchoring devices must be used (Not supplied).
5. Repeat steps 1-4 for the opposite side.



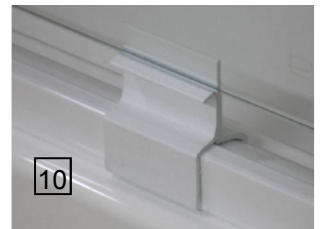
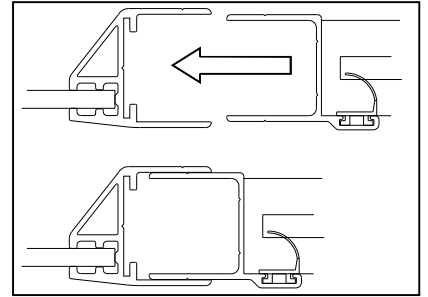
TAKE UP PANEL

6. A Return Sill is supplied with the Take up panel and is only temporarily clipped to one end of the panel. As the Take up panel can be installed left or right hand **it is necessary to remove the sill, apply sealant and attach to the correct end of the panel**
7. Apply a small continuous bead of NG Sili-cone sealant into bottom of the Return sill channel. **Do not fill** the channel with silicone as this will be excessive and the majority will ooze out making cleanup difficult
8. Fit the Return Sill to the lower edge of the Take up panel. Carefully wipe away any excess silicone that may ooze out
9. Slide the Take up panel into the Wall Starter



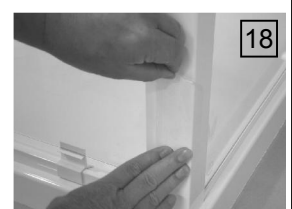
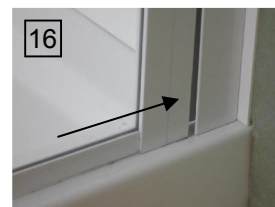
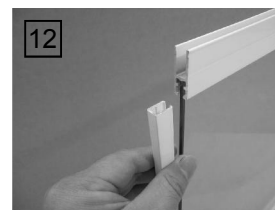
INSTALL THE DOOR ASSEMBLY

10. Slide the Door assembly into the Take up Panel and fully engage (**refer to diagram on page 2 - the door must always open outwards**) **Do not remove the Door setting blocks that are supporting the glass panel**
11. Using the clear adhesive tapes provided hold the door assembly to the Take up Panel
12. Install the Door handle. Ensure that the clear gaskets are placed either side of the glass and the plastic sleeves are placed over the threads of the handles



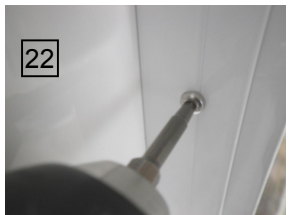
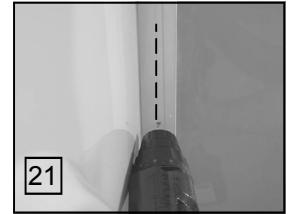
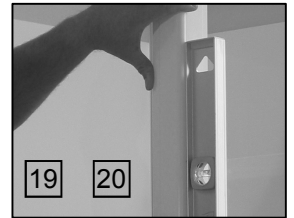
INSTALL THE RETURN PANEL ASSEMBLY

13. A Return Sill is supplied with the Return panel and is only temporarily clipped to one end of the panel. As the Return panel can be installed left or right hand **it is necessary to remove the sill, apply sealant and attach to the correct end of the Return panel**
14. Apply a small continuous bead of NG Silicone sealant into the bottom of the Return sill channel. **Do not fill** the channel with silicone as this will be excessive and the majority will ooze out making cleanup difficult
15. Fit the Return Sill to the lower edge of the Return panel. Carefully wipe away any excess silicone that may ooze out
16. Slide the Return Panel into the Return Starter
17. Align and slide the 90° corner post of the Return Panel over the Door Jamb. Ensure the Door and Return Panel are parallel to the front edge of the tray.
18. Temporarily hold the assembly together using the clear tapes provided



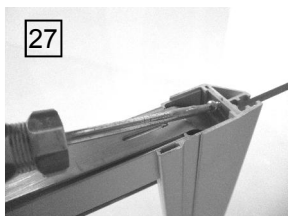
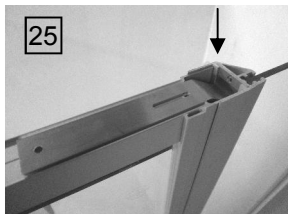
SECURE THE ENCLOSURE

19. True up the enclosure using a spirit level and even out the overlaps of the profiles where one fits into another. **Ensure the “maximum position line” is not visible on any of the aluminium joinery.** (This is a small vertical groove line on both the Door jambs and Return panel profiles)
20. Test the Door for operation. Realign if necessary. The Door magnet should be in contact with the Jamb magnet over its full length.
21. After achieving alignment; from the inside, drill four 3.0 mm holes, starting 30mm from the ends and then equally spaced down the screw indicator line on the Return starter. The screw indicator line is a “Vee” groove that runs down the length on the inside faces of the Return Starter, 90° corner post and take up panel’s inline connector to ensure correct position of screws in relation to other components.
22. Secure with the No.6x10mm stainless steel screws supplied.
23. Repeat the above procedure for the other Return starter, 90° Corner post and the Take up panel’s inline connector. Remove setting block from Door sill on completion and re-check entire enclosure using spirit level.
24. Cover the screw heads with the cover caps provided



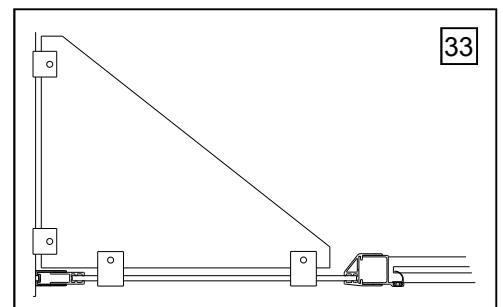
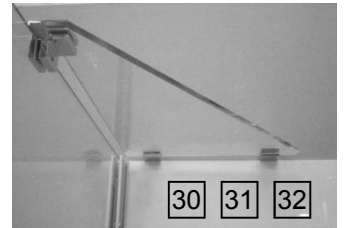
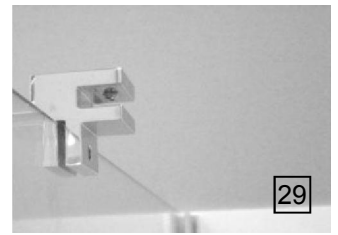
BRACE BRACKET INSTALLATION - 1200 MODEL ONLY

25. Slide the inline connector bracket into the slot of the Inline connector profile and the top of the door frame
26. Drill a 3 mm hole centrally in the slot and hole of the bracket.
27. Screw the bracket into the Door frame with the 10mm stainless steel screws supplied.
28. Cover the screw heads with the screw caps provided



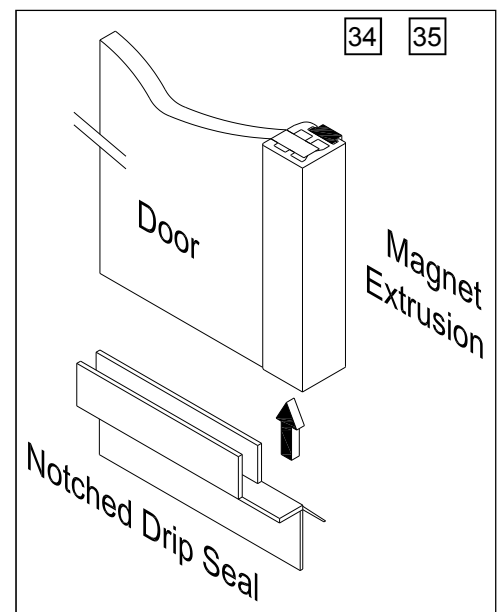
GLASS BRACE INSTALLATION

29. Position the Glass bracket to the top of the Take-up panel approximately 30mm in from the Inline connector and with the grub screw facing inside the shower. Ensure the gasket is in place, then tighten the inside grub screw.
30. Attach the Chrome Wall Brackets to the Glass brace approx 20 mm in from each end
31. Temporarily fit the Glass Brace into the Glass bracket and mark the positions of the Wall Brackets on the wall
32. Remove the Glass brace and attach the Wall brackets to the wall using the No.6 x 30 countersunk screws. Ensure they are screwed into a solid stud or nog or alternatively use a suitable wall anchor system. (not provided)
33. Once the Wall brackets are in position slide the Glass brace into the brackets. Ensure the gaskets are in place, then tighten all grub screws.



FITTING THE SEALS

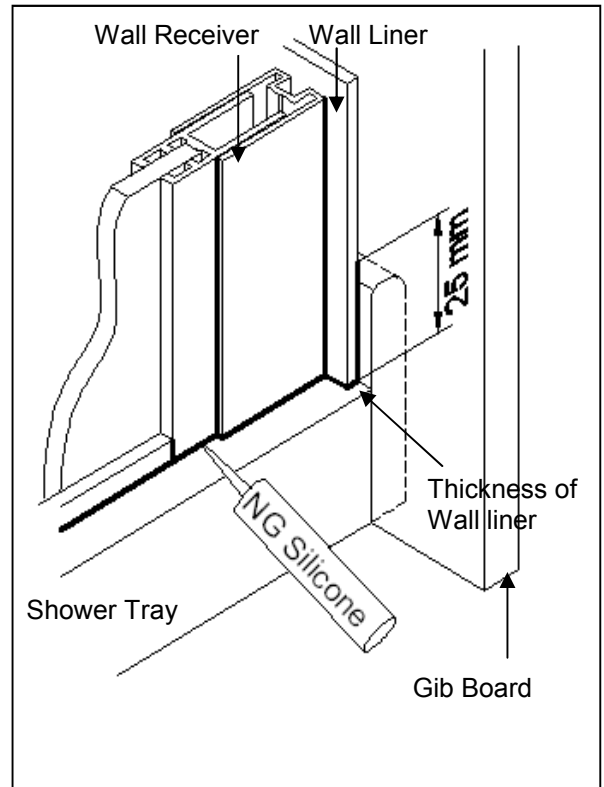
34. For doors that are fitted with a full length aluminium magnet extrusion the long drip seal must be notched. This will allow the drip seal to extend under the end of the extrusion. Mark and trim only the rigid "U" section of the drip seal; this leaves the flexible blades to extend under the extrusion. For doors with the clear plastic magnet extrusion, simply slide the magnet extrusion so it is flush at the top of the door; the drip seal will clip to the glass without requiring any notching.
35. Fit the drip seals to the door glass with the **short angle blade facing towards the inside of shower**



SEALING THE ENCLOSURE

The shower is only sealed on the outside, do not seal inside

36. **For white showers – take the second Cleaning Towelette and wipe the surfaces of the Powder coated profiles where Silicone will be applied, see below. Allow to dry (1-2 minutes)**
37. Apply a small bead of NG silicone wherever the shower enclosure meets the tray. (The use of masking tape will ensure a neat finish)
38. Apply a small bead of NG silicone at each joint of the enclosure extending at least 100mm vertically from the tray
39. Apply a small bead of NG silicone at each end of the Return sills where they finish against the other profile
40. On the outside of the shower where the wall liner meets the tray apply a bead of NG Silicone sealant. Continue this bead of sealant across the front (2.0mm thickness) of the wall liner and then 25mm vertically up the back edge of the wall liner where it meets the tray



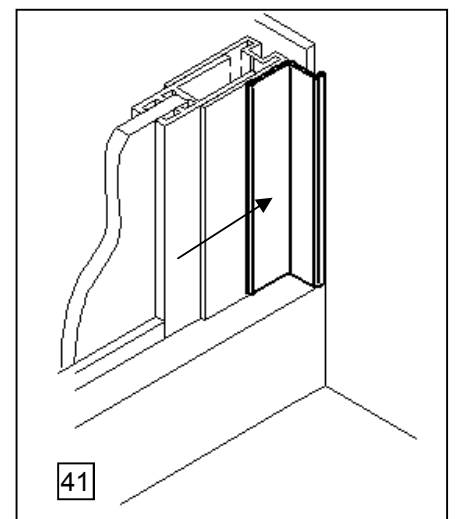
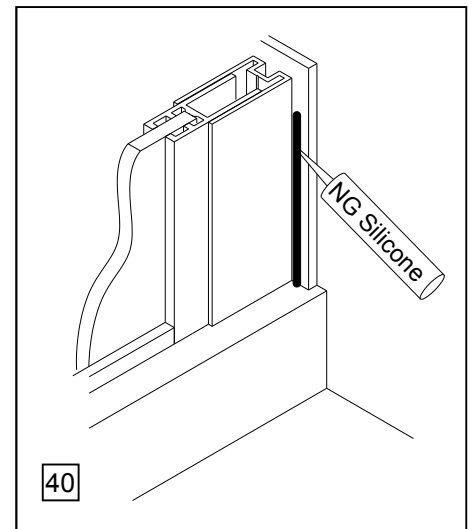
INSTALLING THE COVER TRIMS

All Door sets come with Cover trims. These are only fitted to showers with acrylic wall liners. Cover trims are fitted to give a neat external edge where the wall liner finishes outside of the shower enclosure

NOTE:

If the Wall liner has been installed correctly it should be set slightly back from the front edge of the tray. Check that Wall liner edge does not protrude further forward than the front edge of the tray. If it does the Wall liner will need to be trimmed back in order for the Cover Trims to be installed

41. Apply a small bead of NG Silicone to the wall lining protruding outside of the shower)
42. Take the Cover trim and imbed it into the silicone
43. Repeat for the opposite side
44. Allow the sealant to cure for 24hrs before use



Allow Silicone to cure for a minimum of 24hrs prior to use

