

# athena

BATHROOMS

## Fleet Vanity Installation Instructions



**BEFORE INSTALLATION PLEASE CHECK THAT YOUR ATHENA VANITY IS UNDAMAGED**

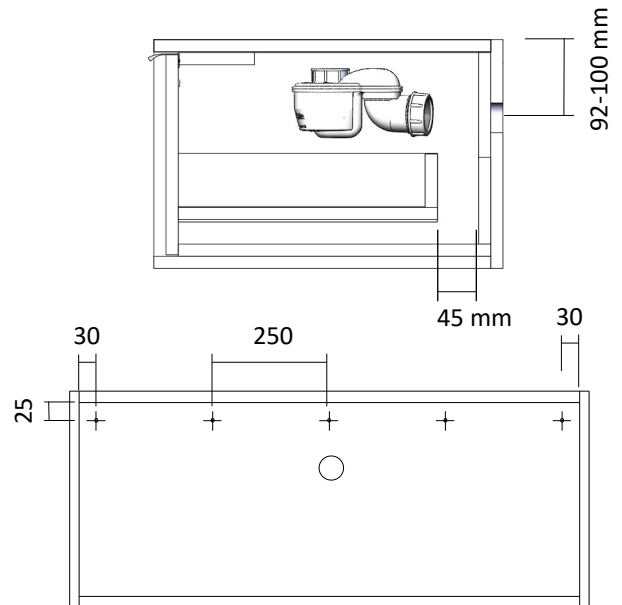
### IMPORTANT:

- The Fleet vanity must be screwed into a Solid fixing such as studs or nogs. Failure to do this may cause the drawers not to operate correctly or in the worst case scenario become detached from the wall.
- Walls must be flat and true. Walls that are twisted or bowed will affect the operation of the drawers.

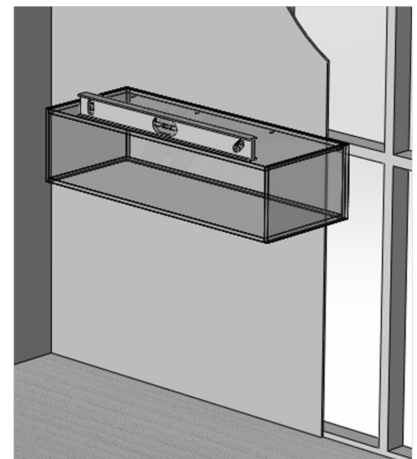
**NOTE: The Fleet vanity is designed specifically for basins that sit onto the bench top surface. Under-mount or recessed basins cannot be installed.**

### Installing the Fleet Frame

1. Determine the mounting height of the Fleet Frame. Remember to take into account the thickness of the bench top and the basin.
2. Identify the position of the basin.
3. Determine and set up the plumbing. If you are installing the Fleet Drawer unit directly under the basin, a 32mm Spacemate Waste must be used. Cut an appropriate sized hole in the rear wall for the waste pipe.
4. From inside pre-drill mounting holes into the rear panel of the Fleet Frame. Place a screw hole 30mm in from each end and approximately 30mm down. Where possible place a screw every 250-300 mm.



5. Level the Fleet Frame. Screw the unit to the wall using counter sunk screws (minimum No.10 x 40mm).

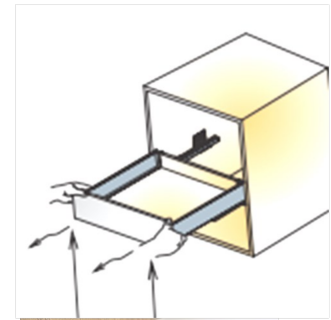


## Installing the Fleet Drawer

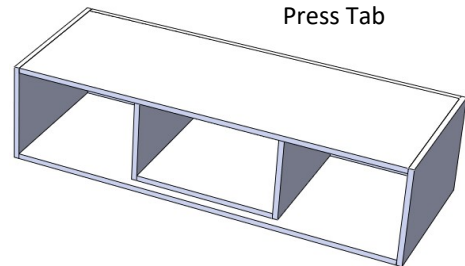
### Remove the Drawer from the Drawer Body

1. Open the drawer fully. On the underside of the drawer locate the tabs on each side, press the tabs while lifting the drawer and pulling towards the front at the same time. This will release the drawer from its runners.

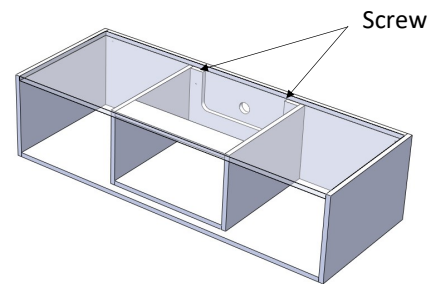
*Please refer to the end of these instructions for further information on the drawers.*



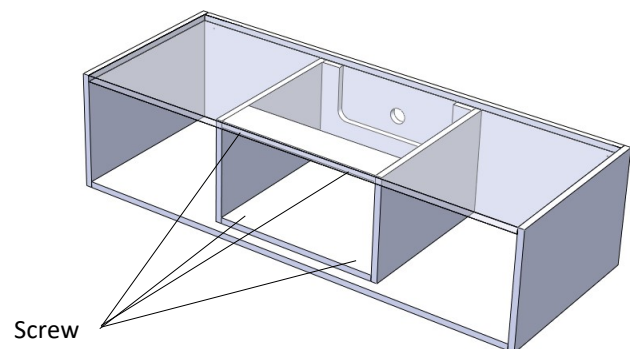
2. Place the Drawer body into its desired position within the Fleet Frame. Ensure that the sides of the Drawer frame do not interfere with any plumbing.



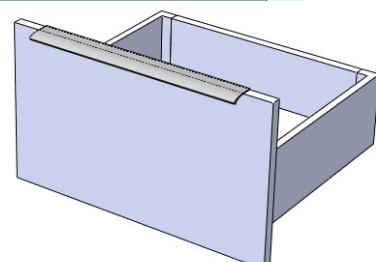
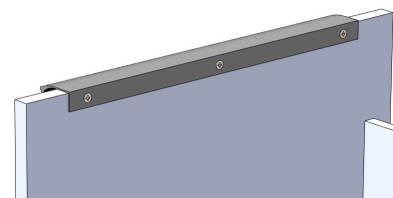
3. Screw the Drawer body in place using No.8x25mm (or longer) countersunk screws, placing the screws in the predrilled holes. Further screws may be added in the other pre-drilled holes.



4. Using No.8x25mm Counter sunk screws fix the Drawer body into place at the indicated points.



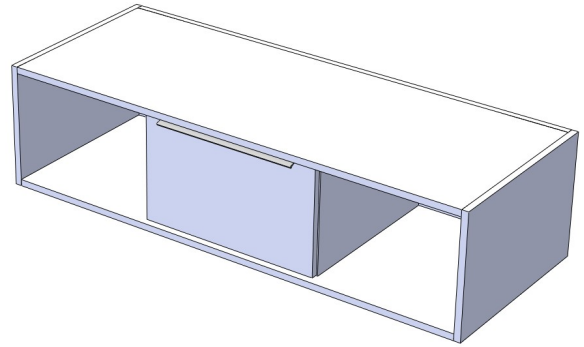
5. If applicable, fit the optional drawer handle offered by Athena. The drawer panel is pre-drilled inside with 3 small holes to suit the handle. Only use a hand screwdriver to secure the handle to the drawer, do not use a cordless driver as this may strip out the hole. An alternative design Drawer handle or pull can be secured to the top edge or Drawer front.



## **Installing the Fleet Drawer continued**

6. Return the Drawer box into the Drawer body. Ensure that the rear clips of the runners are engaged into the rear of the drawer box.

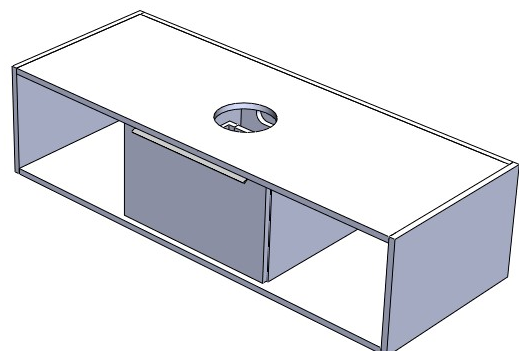
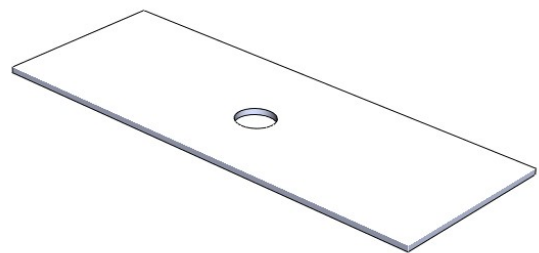
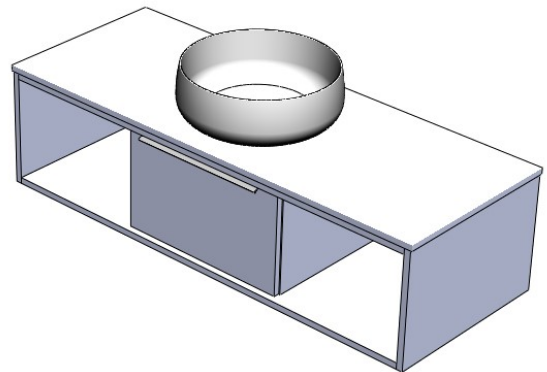
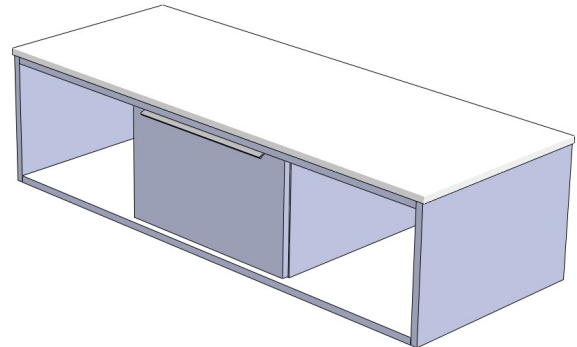
*Please refer to the last page of the instructions for detailed Drawer runner installation & adjustment.*



## **Fitting the Bench Top & Basin**

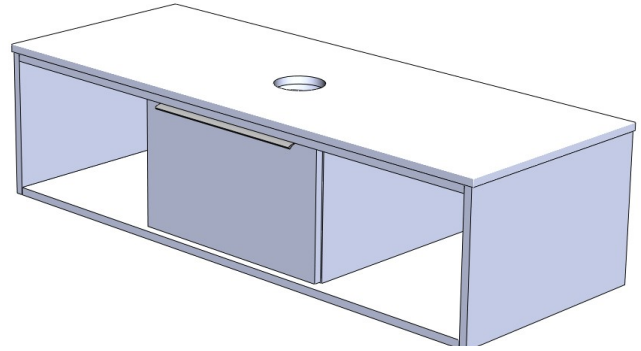
1. Place and position the bench top onto the Fleet Frame's top surface.
2. Place the basin on the bench top and mark the waste position.
3. Mark the position of the tapware if it is to be mounted on the bench top. Please check to ensure there is enough space behind the basin being installed. Larger basins may require tapware to be mounted slightly to the side. Note: there is a 45mm cavity behind the drawer to accommodate flexible hoses.
4. Through the centre of the basin waste and tap hole, drill a pilot hole into the bench top and top of the Fleet Frame.
5. Remove the Benchtop and place on a firm flat surface. Using a hole saw cut the appropriate size holes for the waste fitting and the tap. A jigsaw with a high speed steel blade can be used to cut the waste hole. If using a jigsaw, mask the immediate area to protect the surface. Do not cut square corners, corners must have a minimum 10mm radius. If required, any cut edges can be smoothed using a medium grit sandpaper.
6. Drill or cut the top surface of the Fleet Frame to accommodate the waste fitting & tap. When cutting the hole for the waste and tap, it is recommended that the hole be larger than that cut into the bench top e.g. if the bench top tap hole is 35mm cut a 50mm hole in the Fleet Frame.

We suggest laying a towel inside the drawer to protect the drawer runners being covered in debris. If any debris does make its way onto the runners, use a vacuum cleaner to remove.

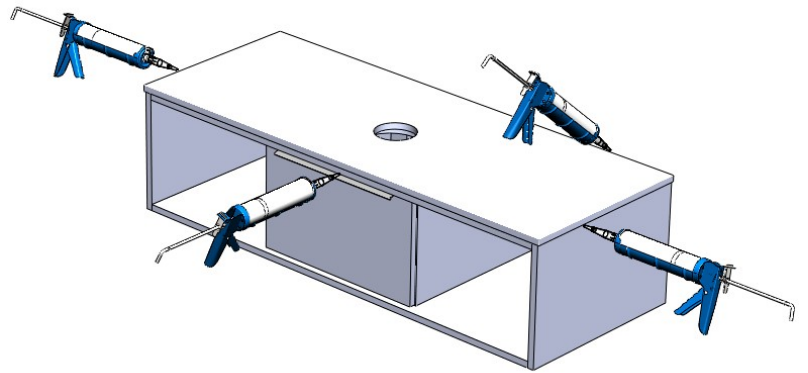


## Fitting the Benchtop & Basin

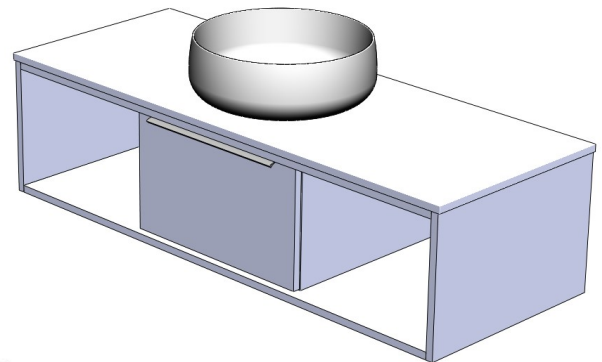
7. To the corners of the Fleet Frame apply a pea sized amount of Silicone sealant.
8. Return the bench top to its final resting position and gently push down into the sealant.



9. To prevent any accidental water ingress apply a small bead of sealant around the underside of the benchtop and to the wall. It is recommended to mask the area to achieve optimum results.



10. The basin can now be installed. Apply a pea sized amount of Silicone sealant under the basin to hold it in place. Be careful not to disrupt the position of the bench top.



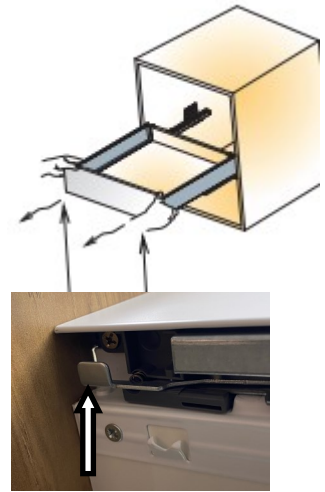
11. Allow 24 hours for the sealant to cure.



12. Installation of tapware and plumbing can now proceed.

## Removing the Drawer

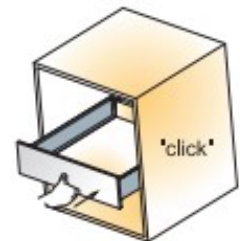
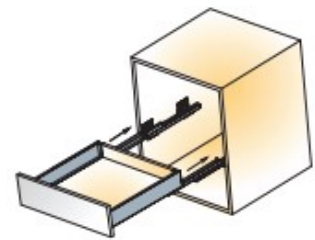
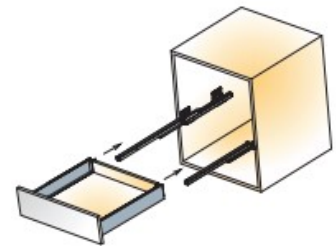
1. Open the drawer fully.
2. On the underside of the Drawer locate the tabs on each side and press the tabs while lifting the Drawer and pulling towards the front at the same time. This will release the Drawer from it's runners.



Press Tab

## Installing the Drawer

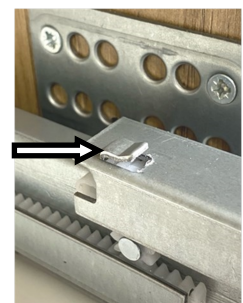
1. Place the Drawer over the runners.
2. Slide the Drawer inwards.
3. Push until it clicks.



4. To ensure the Drawer is properly secured, hold the Drawer front and pull the clip/runner on each side towards the Drawer front. You will hear a click if the Drawer was not in position; this means the rear of the Drawer has located itself correctly into a tab on the rear of the runner.



Rear locating tab



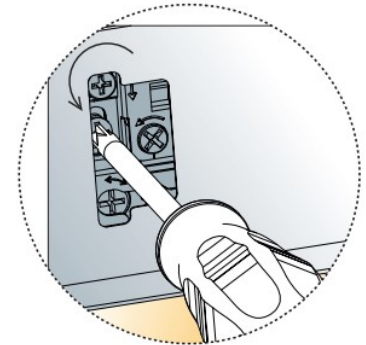
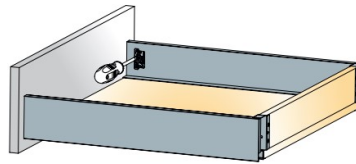
## **Adjusting Drawer Front Vertically (+/- 2.0mm)**

The Drawer front is secured to the Drawer box by the mechanism and screws on the underside (refer images).

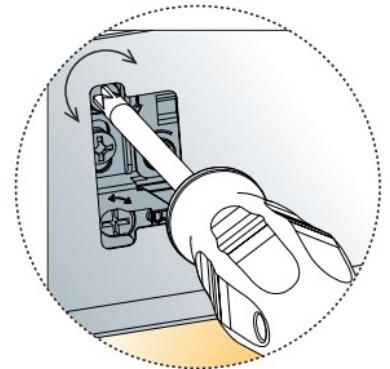
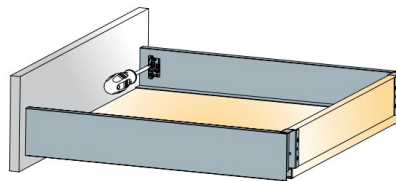
The screws are temporarily held in by tape to allow adjustment of the Drawer front during installation. **Once final adjustment is achieved, tighten up these screws.**



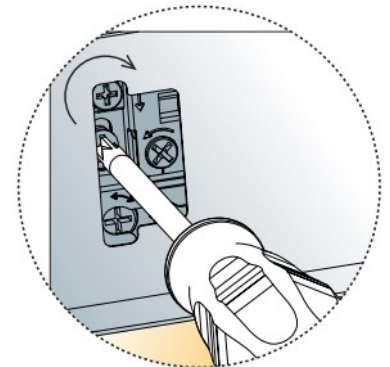
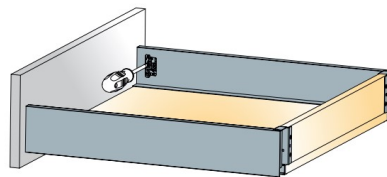
Loosen locking screw



Raise or lower Drawer front



Retighten locking screw



---

For further information on the drawer runner system, view and download full instructions at:

[https://athena.co.nz/tekform-drawer-slimline-instructions\\_jan18/](https://athena.co.nz/tekform-drawer-slimline-instructions_jan18/)

athena  
BATHROOMS

**Ph 09 443 9551**

**info@athena.co.nz | [athena.co.nz](http://athena.co.nz)**

May 2022