

athena

BATHROOMS

Bath Installation Instructions



Important

Please read the following instructions carefully before commencing installation

**BEFORE INSTALLATION CHECK THAT YOUR ATHENA BATH IS COMPLETE AND
UNDAMAGED**

These instructions cover the installation of the following :

- Bath Only
- Factory Framed Bath
- Acrylic Wall Lining

All aspects of the installation should be in accordance with the relevant Building Code

**Installer - Please leave the Care & Maintenance Guide of these
Instructions with the Homeowner**

Bath Installation



Bath Only

- If your Athena bath has been ordered unframed, a timber frame must be constructed to fully support the bath . (See Factory Framed example)
- Construction of the frame and installation of the bath should be carried out by a qualified tradesman.
- The bath **must be fully supported** under the perimeter of the top flange, and supported in several areas underneath the bath floor. **Note:** An optional method of ensuring full support under the bath floor is to bed the bath base down into a concrete slurry.



Factory Framed Bath

- Your Factory Framed Athena bath has been supplied ready to install by a qualified tradesman.
- Check the floor area under the bath is level, as the bath has been leveled in the frame at our factory .

Framed Bath Heights

Model	Bath Height
Liquid 1675	515mm
Liquid 1800	540mm
Solace 1675	505mm
Solace 1800	505mm



Setting the Bath in position

- The bath does not require “checking” into the studs and the walls do not require packing. (assuming walls are straight and square)
- Ensure the bath is sitting level in the frame by placing a spirit level on the top flange.
Do not check for level from the bath floor
- It is recommended that the bath frame be fixed to the floor using either an adhesive or fasteners.
- Connect any plumbing before enclosing the perimeter of the bath

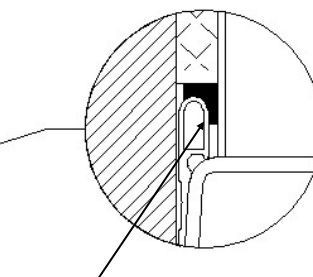
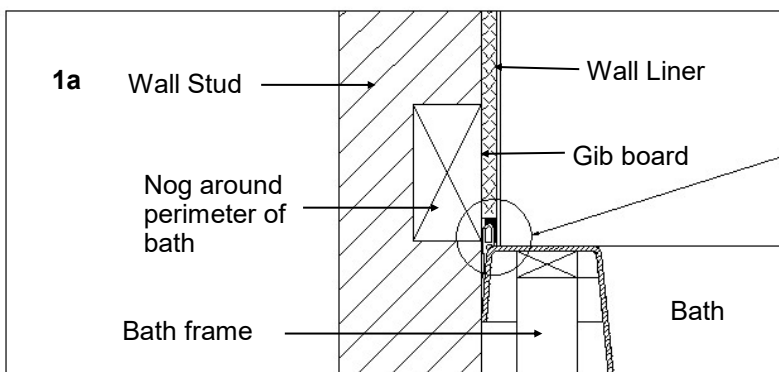
Installing Acrylic Wall Linings

1. The bath is to be installed in accordance with Athena Bath Installation Instructions.
2. Walls are to be lined with new unpainted / unsealed & un-stopped Gib board or a similar plaster board.
3. The acrylic lining should rest flat on the top surface of the bath.
4. Dry fit the liner on bath and mark its perimeter on the Gib board with a pencil.
5. Mark and drill holes for tap ware. (See Cutting & Drilling Guide)
6. Trial fit in position.
7. If fitting to a bath with the optional factory upstand (recommended) apply a continuous generous bead of silicone NG to the upper area between the Gib lining and the inside edge of the bath upstand. 30mm in from the ends fill the cavity with silicone to prevent any water tracking beyond the wall liner ends. Also seal the edge of the wall liner. Refer to diagram 1a . If fitting to a bath without upstands apply silicone to fill the entire cavity between the Gib board and top of bath. Refer to diagram 1b
8. Starting 10mm in from the edge of each wall apply a 5mm vertical bead of Sika Showerbond adhesive finishing just below the marked height of the liner. Continue to apply 5mm beads at 100mm centres. **Do not use any other adhesives– your warranty will be voided**

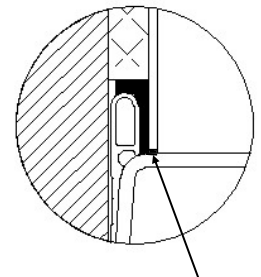
Note: From start to finish the application of adhesive should take no longer than 15 minutes. Any delay may cause the adhesive to 'tack off' and affect the bond.

9. Place the wall lining into position and press firmly onto adhesive over the entire area.
10. Seal the top edge of the wall liner with 'Selley's No More Gaps' or a similar sealant that can be painted.
11. Clean up any excess silicone that may have oozed out from under the bottom edge of the acrylic liner using a small amount of white spirits on a clean cloth. Leave to cure for a minimum of 24 hrs
12. Complete the installation by fitting tap ware.
13. Allow the adhesive to cure for 24 hrs

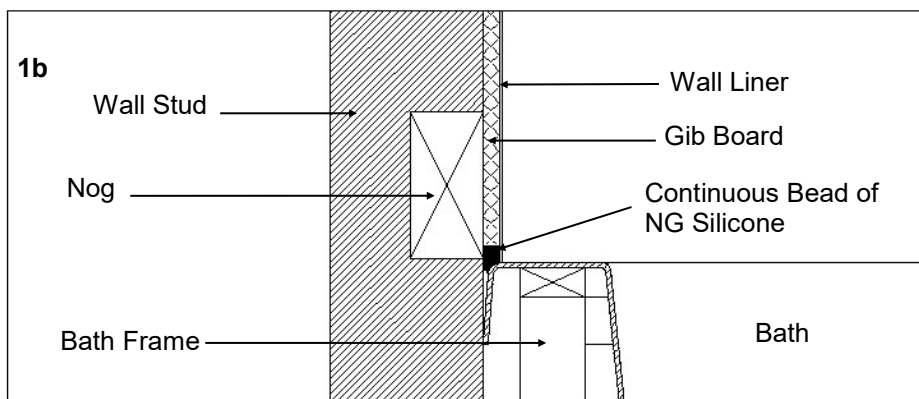
Optional Factory Fitted Upstand



Continuous bead of Silicone NG sealant



30mm in from the ends fill the cavity with Silicone NG sealant
Ensure to seal across the edge of wall liner



Cutting & Drilling Guide

- Use a jigsaw or hacksaw with minimum 18 TPI blade.
- Holes up to 12mm use a standard twist drill with reduced cutting angle.
- Holes larger than 12mm use a high speed steel or tungsten carbide hole-saw.

Caring For your Bath



Please read before using your Athena bath.

This advice is relevant for all Athena baths and is vital in ensuring your bath remains in pristine condition throughout its life.

Care and Maintenance

Acrylic has excellent resistance to most things it is likely to come into contact within the bathroom. However it should not be exposed to a naked flame, cigarettes or strong solvents.

To maintain your bath it is recommended you adopt the following:

The temperature of the supply water should not exceed 55 degrees Celsius.

When filling the bath start with cold water to allow the bath to gradually adapt to the temperature.

To maintain the high gloss finish of your bath rinse with warm water and dry polish with a towel after each use. Athena Bathrooms recommend 'Vibrance Acrylic Surface Cleaner' for regular cleaning. Available through most Bathroomware retailers.

If by accident your bath gets scratched it may be restored by using a fine polish such as Brasso. If this will not remove the scratch it maybe cut back with a very fine wet and dry paper (1200# -1500#) used liberally with water. After removing the scratch restore gloss with Brasso or a car paint cutting compound.

Technical Assistance

Should you require further technical information please contact Athena:

Telephone: 09 4443780

Email: information@athena.co.nz

For any Warranty related issues please go to www.athnea.co.nz and fill out the online service request form