

Merchant	
Contact	
Phone #	
Order #	

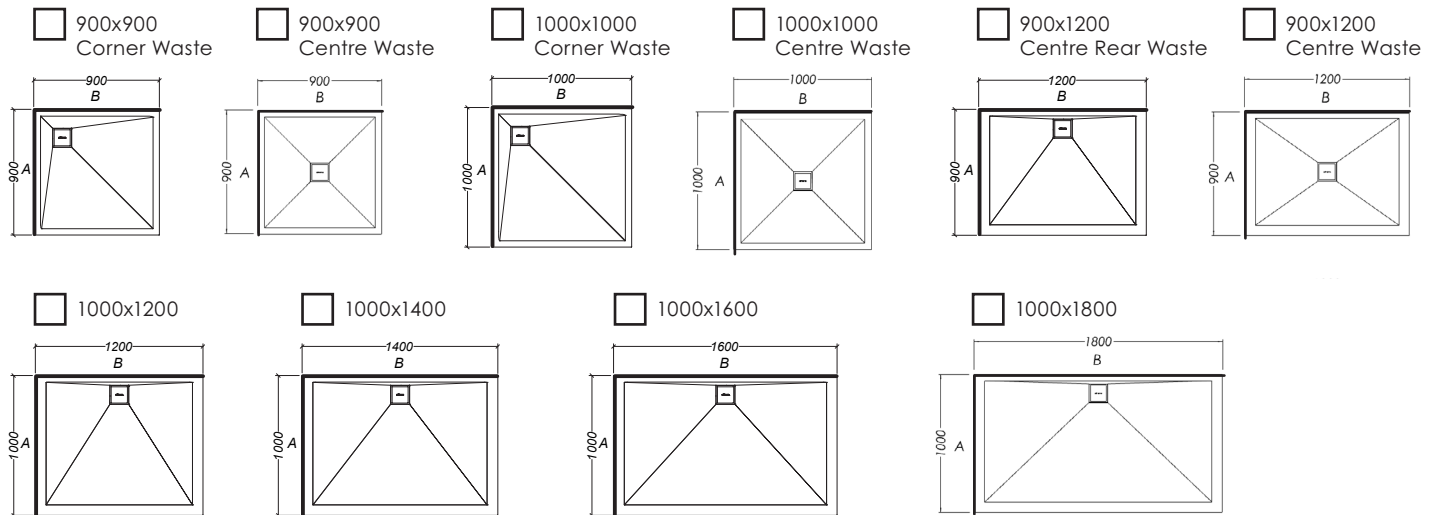
Branch	
Date	
Order Ref	
Quantity	

SLATEFORMA SHOWER TRAY

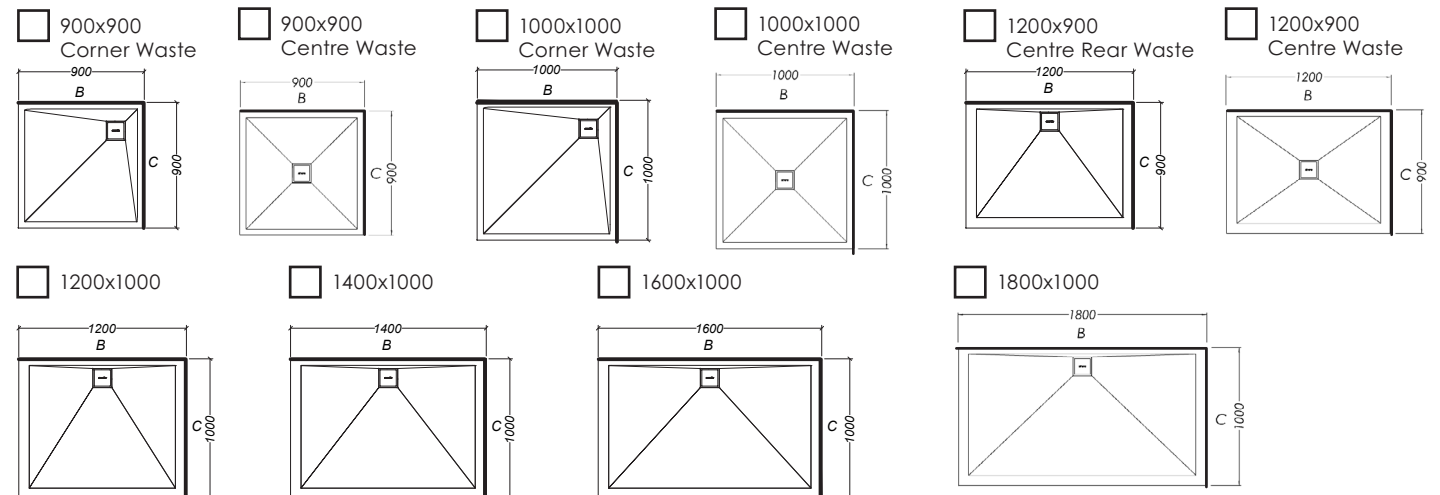
- COMPLETE PACKAGE Tray & Door Set (Tiled Wall) Tray, Door Set & Wall
- COMPONENTS Tray only *includes waste* Door Set only for Tiled Wall
- Wall Only Door Set only for Acrylic Wall
- TRAY COLOUR Anthracite (excludes 1800x1000) Chalk Stone (excludes 1800x1000)

UPSTAND CONFIGURATION AND SIZE

2 Sided AB Upstands



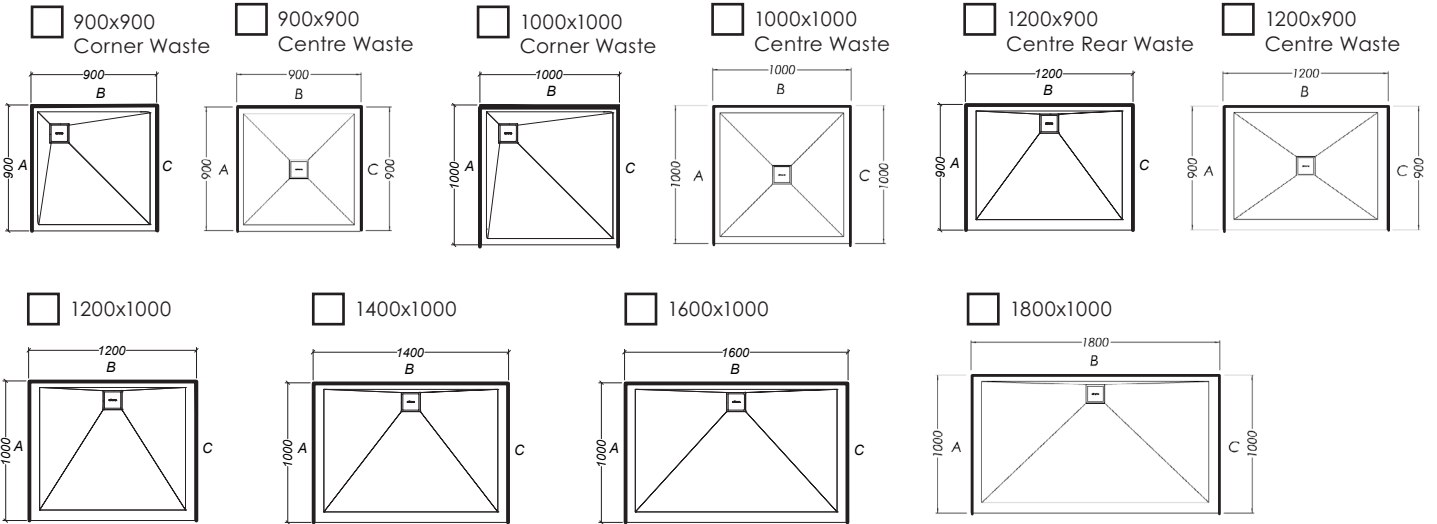
2 Sided BC Upstands



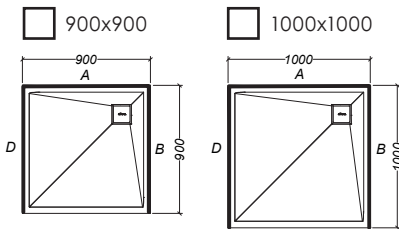
Same as AB Upstands

SLATEFORMA SHOWER TRAY

3 Sided ABC Upstands



3 Sided DAB Upstands



SLATEFORMA SHOWER TRAY

SHOWER DOORS

	2 Wall Square	3 Wall Square	2 Wall Rectangle	3 Wall Rectangle – Door can be either left or right handed		
Artus Door Set	<input type="checkbox"/> 900 <input type="checkbox"/> 1000	<input type="checkbox"/> 1000	<input type="checkbox"/> 1200x900 <input type="checkbox"/> 1200x1000	<input type="checkbox"/> 900x1200x900 <input type="checkbox"/> 1000x1200x1000	Joinery <input type="checkbox"/> Brushed Gunmetal <input type="checkbox"/> Brushed Nickel <input type="checkbox"/> Polished Chrome	
Motio Sliding Doors			<input type="checkbox"/> 1200x900 <input type="checkbox"/> 1200x1000 <input type="checkbox"/> 1400x1000 <input type="checkbox"/> 1600x1000 <input type="checkbox"/> 1800x1000	<input type="checkbox"/> 900x1200x900 <input type="checkbox"/> 1000x1200x1000 <input type="checkbox"/> 1000x1400x1000 <input type="checkbox"/> 1000x1600x1000 <input type="checkbox"/> 1000x1800x1000		
Motio Black Finish Upgrade* <small>*Upgrade cost applies</small>	<input type="checkbox"/> 1200	<input type="checkbox"/> 1400	<input type="checkbox"/> 1600			
Cardo Door Sets	<input type="checkbox"/> 900 <input type="checkbox"/> 1000	<input type="checkbox"/> 900 <input type="checkbox"/> 1000	<input type="checkbox"/> 1200x900 <input type="checkbox"/> 1200x1000 <input type="checkbox"/> 1400x1000 <input type="checkbox"/> 1600x1000 <input type="checkbox"/> 1800x1000	<input type="checkbox"/> 900x1200x900 Centre Door <input type="checkbox"/> 1000x1200x1000 Centre Door <input type="checkbox"/> 1000x1400x1000 Centre Door <input type="checkbox"/> 1000x1600x1000 Centre Door <input type="checkbox"/> 1000x1800x1000 Centre Door	<input type="checkbox"/> 1000x1400x1000 Offset Door Short Hinge Panel <input type="checkbox"/> 1000x1600x1000 Offset Door Short Hinge Panel <input type="checkbox"/> 1000x1800x1000 Offset Door Short Hinge Panel	<input type="checkbox"/> 1000x1400x1000 Offset Door Long Hinge Panel <input type="checkbox"/> 1000x1600x1000 Offset Door Long Hinge Panel <input type="checkbox"/> 1000x1800x1000 Offset Door Long Hinge Panel
Soul Doors	<input type="checkbox"/> 900 <input type="checkbox"/> 1000	<input type="checkbox"/> 900 <input type="checkbox"/> 1000	<input type="checkbox"/> 1200x900 900 Door <input type="checkbox"/> 1200x900 1200 Door	<input type="checkbox"/> 900x1200x900	Joinery <input type="checkbox"/> White <input type="checkbox"/> Satin	
Platinum Shower Screen	<input type="checkbox"/> 900 <input type="checkbox"/> 1000	<input type="checkbox"/> 900 <input type="checkbox"/> 1000				

SLATEFORMA SHOWER TRAY

SHOWER WALLS

	2 Wall Square	3 Wall Square	2 Wall Rectangle	3 Wall Rectangle – Door can be either left or right handed
Flat Wall	<input type="checkbox"/> 900 <input type="checkbox"/> 1000	<input type="checkbox"/> 900 <input type="checkbox"/> 1000	<input type="checkbox"/> 1200x900 <input type="checkbox"/> 1200x1000 <input type="checkbox"/> 1400x1000 <input type="checkbox"/> 1600x1000 <input type="checkbox"/> 1800x1000	<input type="checkbox"/> 900x1200x900 <input type="checkbox"/> 1000x1200x1000 <input type="checkbox"/> 1000x1400x1000 <input type="checkbox"/> 1000x1600x1000 <input type="checkbox"/> 1000x1800x1000
Moulded Wall	<input type="checkbox"/> 900 <input type="checkbox"/> 1000	<input type="checkbox"/> 900 <input type="checkbox"/> 1000	<input type="checkbox"/> 1200x900 900 Mould <input type="checkbox"/> 1200x900 1200 Mould	<input type="checkbox"/> 900x1200x900