

Shower Tray Installation Instructions

1. Ensure that the walls are plumb and square. The bottom plates must be square to each other to allow the tray to sit in its correct position. For Alcove three sided showers we recommend building the third wall once the tray is onsite to ensure the correct opening is achieved

We recommend adding additional studs into the wall that finish flush with the tray ends, this gives the shower installer a solid fixture to screw his Door set into and eliminates the need for wall anchors



2. Ensure the floor is level

A Useful Guide

For every millimetre the tray is out of level, adjustment of the enclosure will be reduced by 2mm.

e.g. if the tray is 5mm out of level there may be no adjustment left to accommodate out of plumb walls.

If the floor is not level

- Concrete floors - level using a leveling compound available from most flooring outlets.
- Wood floors - Sand or level using a leveling compound

3. Have a qualified plumber install the shower fittings and the waste

IMPORTANT:

- **Hole cut out for waste must not exceed 170mm square**
- **Concrete floors must be back filled around the waste area or where any additional cuts in the concrete have been made with concrete (or a similar solid fill material)**

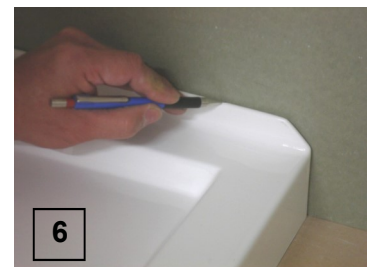
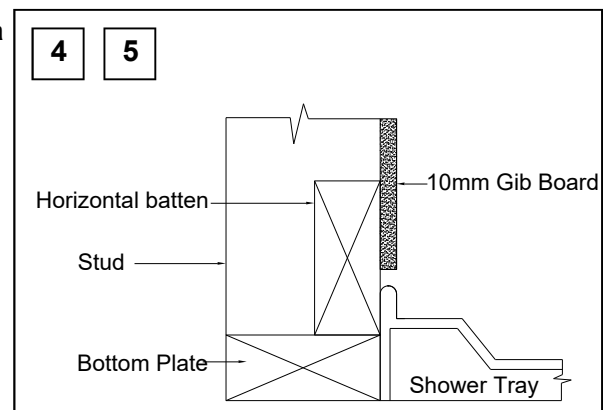
4. Install a horizontal batten to the bottom plate to support the Gib board's lower edge when cut
5. Line the framing with 10mm Gib board or an equivalent plaster board to the suppliers recommendations. If installing a 3 sided shower tray it is recommended to line the walls after the tray is installed

DO NOT

Gib Stop, sand, seal or paint the wallboard surface as this will affect the adhesion of the acrylic wall liner

6. Place the shower tray against the Gib board. Scribe a pencil line on the Gib board 5mm above the tray. Ensure to allow for the thickness of the Gib board as the tray will be rebated into the Gib board in its final position (The pencil line marking the front face of the tray will need to be moved back in by 10mm)

7. Remove the tray and cut out the area to create the tray recess



Pre-installation checks

8. Check that the tray is level, if not correct before progressing any further

DO NOT

- Under any circumstance pack the perimeter of the tray to level
- Use expanding foams to support the tray, these are of low density and will collapse over time

Warranty will be voided if the shower tray is not correctly supported

9. Place the tray back into the recess checking that the tray's upstand front face does not protrude further than the Gib board surface. (this may be a result of the walls not being set 90° to each other) If the upstand does protrude further than the Gib board surface the tray will need to be rebated into the bottom plate
10. Check to ensure that the waste outlet will align with the waste body already installed into the floor
11. Sweep the immediate area where the tray will be installed to ensure it is free from any dust or contaminants

Installation

12. The tray is supplied with a clear protective film to prevent surface damage. Remove the film from the upstand and waste area leaving the film intact on the remainder of the tray. This will protect the surface until installation is complete.
13. Using the supplied Showerbond adhesive apply to each of the support rings or the high density polyurethane supports on underside of the tray.

SPECIAL NOTE

Four Sided Upstand Trays will also include one tube of NG Silicone Sealant for securing alternative door sets

14. Place the tray into its final position
15. Install the easy clean waste as per the instructions provided with the waste (This must be fitted by a qualified plumber)

IMPORTANT

- Do not place any weight on the tray as this will cause the adhesive to be dislodged from under the support rings and compromise adhesion
- Do not stand on the tray until the Showerbond has cured (approx 24hrs).

