

# SOUL ARTUS 900X900 SHOWER PACKAGE

ARTUS DOOR SET, 2 WALL



## ARTUS DOOR SET

<b>CONFIGURATION</b>	2 wall To suit trays with AB or BC upstands
<b>MATERIAL</b>	Stainless steel joinery 8mm toughened safety glass
<b>HEIGHT (mm)</b>	2000
<b>ORIGIN</b>	PRC

## SOUL SHOWER TRAY

see following page

## NOTES

- 10 year warranty for shower enclosure, 12 months warranty for shower seals\*
- All measurements are nominal
- Suitable for tiled and acrylic wall applications
- Door and return panel are reversible\*\*
- Included - 3M™ easy clean glass coating
- Optional - flat or moulded wall liner available\*\*
- Optional - glass shelves sold separately\*\*
- Optional - black drip seal available\*\*

## PRODUCT CODES & FINISHES

PRODUCT CODES CONSIST OF THE FOLLOWING COMPONENTS:

- DOOR & GLASS TAKE-UP
- RETURN PANEL
- INSTALLATION KIT



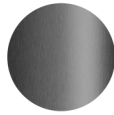
Polished  
Chrome

KD1AR99CH



Brushed  
Nickel PVD

KD1AR99BN



Brushed  
Gunmetal PVD

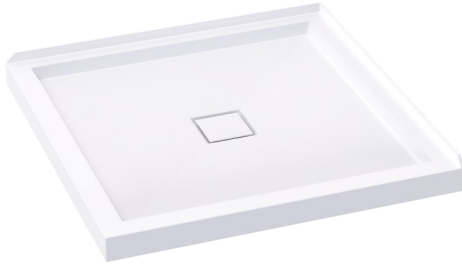
KD1AR99GM

## MARCH 2024

ALL MEASUREMENTS ARE NOMINAL  
\*WARRANTIES APPLY TO RESIDENTIAL DOMESTIC USE ONLY. WARRANTY VOID  
IF PRODUCT IS NOT INSTALLED ACCORDING TO OUR SPECIFICATIONS.  
\*\*FOR FURTHER INFORMATION ON BIPR, INSTALLATION GUIDE AND PRODUCT  
OPTIONS PLEASE REFER TO THE WEBSITE.  
athena.co.nz

# SOUL ARTUS 900X900 SHOWER PACKAGE

## SOUL CENTRE WASTE TRAY



### SOUL SHOWER TRAY

<b>CONFIGURATION</b>	2 wall, AB / BC upstands
<b>FINISH</b>	Gloss white
<b>MATERIAL</b>	Acrylic capped ABS
<b>WIDTH (mm)</b>	900
<b>DEPTH (mm)</b>	900
<b>HEIGHT (mm)</b>	65
<b>WASTE POSITION</b>	Centre
<b>ORIGIN</b>	Aotearoa / New Zealand

### NOTES

- 10 year warranty\*
- All measurements are nominal
- Suitable for tiled and acrylic wall applications
- 25mm upstands moulded into shower tray

### PRODUCT CODES & CONFIGURATIONS

PRODUCT CODES CONSIST OF THE FOLLOWING COMPONENTS:

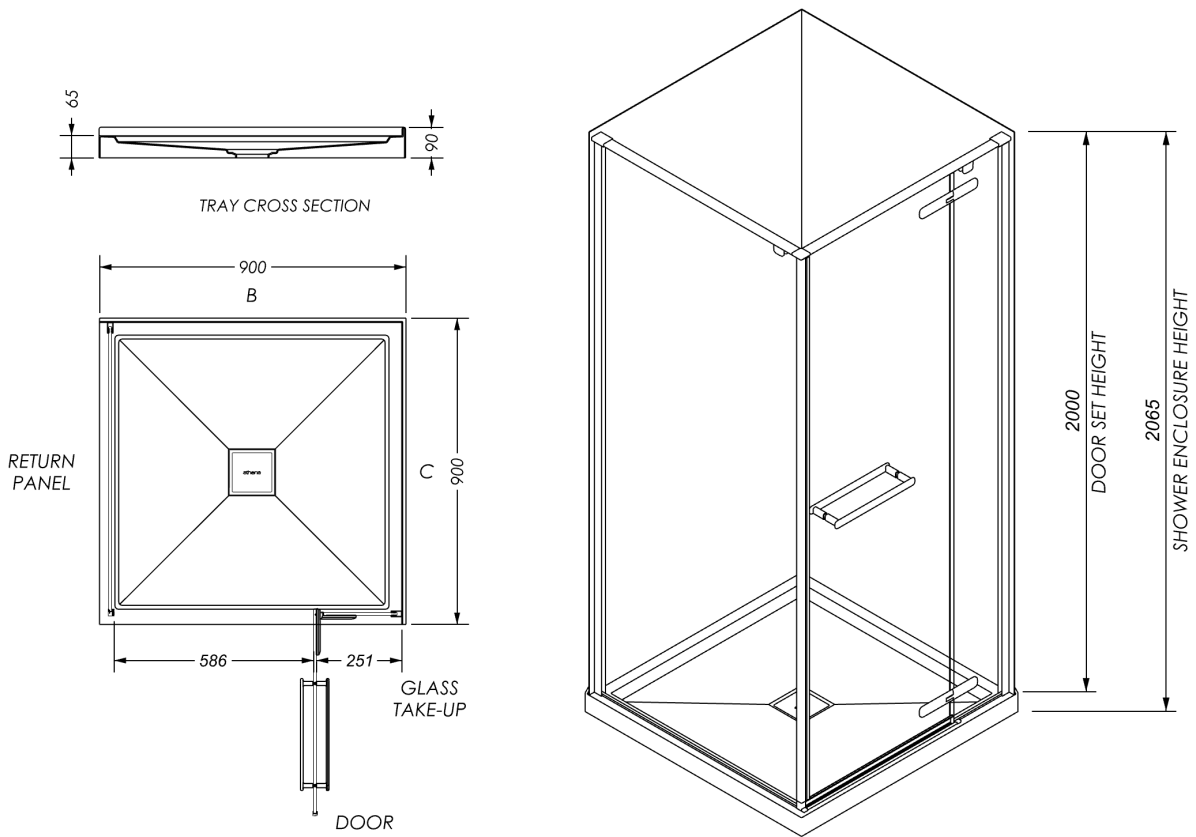
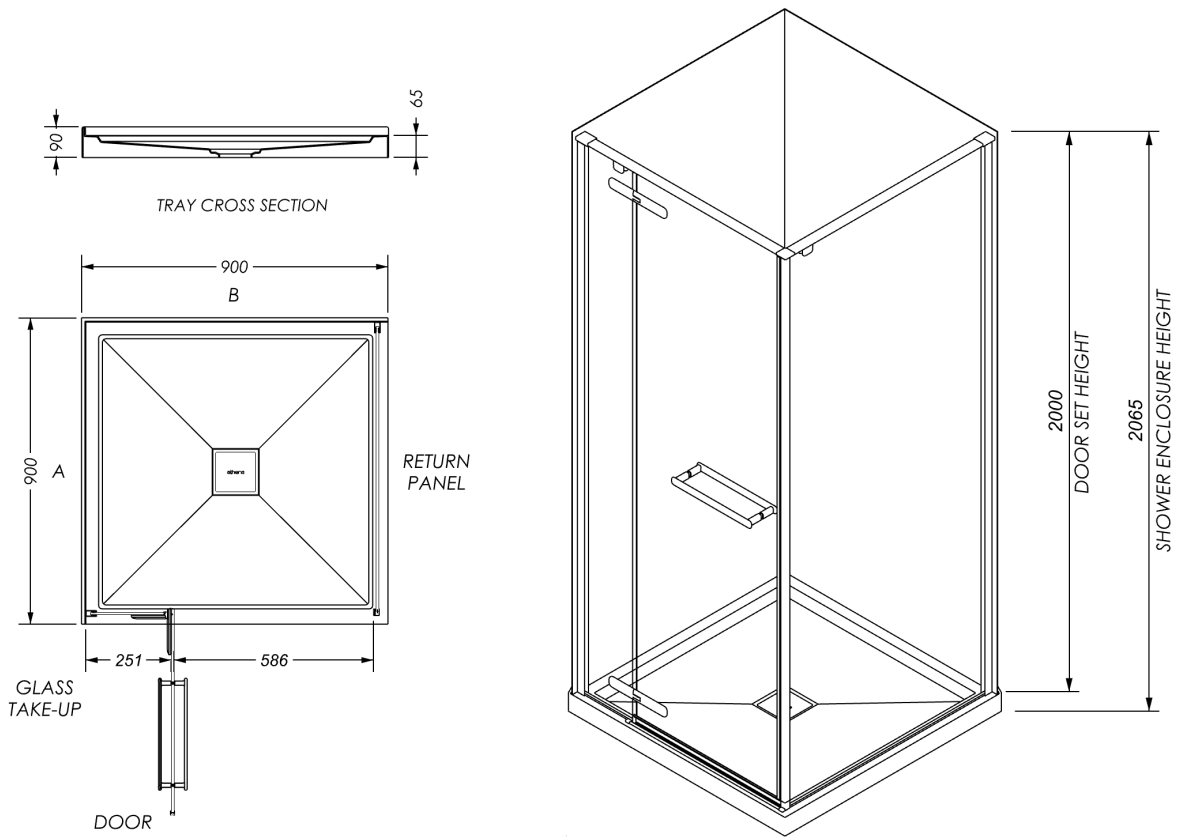
- SHOWER TRAY
- EASY CLEAN WASTE
- INSTALLATION KIT

2 sided (AB / BC upstands)	TRSAC9S
3 sided (ABC upstands)	TRSAC9A

#### MARCH 2024

ALL MEASUREMENTS ARE NOMINAL  
 \*WARRANTIES APPLY TO RESIDENTIAL DOMESTIC USE ONLY. WARRANTY VOID  
 IF PRODUCT IS NOT INSTALLED ACCORDING TO OUR SPECIFICATIONS.  
 \*\*FOR FURTHER INFORMATION ON BIPR, INSTALLATION GUIDE AND PRODUCT  
 OPTIONS PLEASE REFER TO THE WEBSITE.  
[athena.co.nz](http://athena.co.nz)

# SOUL ARTUS 900X900 SHOWER PACKAGE



**MARCH 2024**

ALL MEASUREMENTS ARE NOMINAL  
 \*WARRANTIES APPLY TO RESIDENTIAL DOMESTIC USE ONLY. WARRANTY VOID  
 IF PRODUCT IS NOT INSTALLED ACCORDING TO OUR SPECIFICATIONS.  
 \*\*FOR FURTHER INFORMATION ON BIFR, INSTALLATION GUIDE AND PRODUCT  
 OPTIONS PLEASE REFER TO THE WEBSITE.  
[athena.co.nz](http://athena.co.nz)