

SLATEFORMA® CARDO 1000X1200 SHOWER PACKAGE

CARDO OFFSET LONG DOOR SET, 3 WALL / ALCOVE



CARDO OFFSET LONG DOOR SET

PRODUCT CODE	KD2CAS12AL
COMPONENTS	Door and hinge panel Glass take-up Glass brace and brackets
CONFIGURATION	3 wall / alcove To suit trays with ABC upstands
MATERIAL	Aluminium joinery Chrome fittings 8mm toughened safety glass 6mm toughened safety glass brace
HEIGHT (mm)	2000
ORIGIN	Aotearoa / New Zealand

SLATEFORMA® SHOWER TRAY

see following page

NOTES

- 10 year warranty for shower enclosure, 12 months warranty for shower seals*
- All measurements are nominal
- Suitable for tiled and acrylic wall applications
- Door can be installed with left or right hand opening**
- Included - installation kit**
- Optional - Diamond Fusion™ treatment available**
- Optional - flat or moulded wall liner available**
- Optional - glass shelves sold separately**

PRODUCT FINISH



Satin

MARCH 2024

ALL MEASUREMENTS ARE NOMINAL
*WARRANTIES APPLY TO RESIDENTIAL DOMESTIC USE ONLY. WARRANTY VOID
IF PRODUCT IS NOT INSTALLED ACCORDING TO OUR SPECIFICATIONS.
**FOR FURTHER INFORMATION ON BIPR, INSTALLATION GUIDE AND PRODUCT
OPTIONS PLEASE REFER TO THE WEBSITE.
athena.co.nz

SLATEFORMA® CARDO 1000X1200 SHOWER PACKAGE

SLATEFORMA® CENTRE REAR WASTE TRAY



SLATEFORMA® SHOWER TRAY

FINISH	Slate textured gel coat
MATERIAL	Mineral composite
WIDTH (mm)	1200
DEPTH (mm)	1000
HEIGHT (mm)	25
WASTE POSITION	Centre rear
ORIGIN	PRC

NOTES

- 10 year warranty*
- All measurements are nominal
- Colour variations, irregular texture, and mottled appearance of the shower tray surface are to be expected due to the nature of the materials and contemporary design. This is most apparent in Anthracite (slate dark grey).
- Included - 30mm Aluminium upstands factory fitted (see Technical Specifications)
- Included - Easy Clean Waste
- Included - colour matched Athena waste cover

PRODUCT CODES & FINISHES



Anthracite
SLATE DARK GREY



Chalk
SLATE WHITE



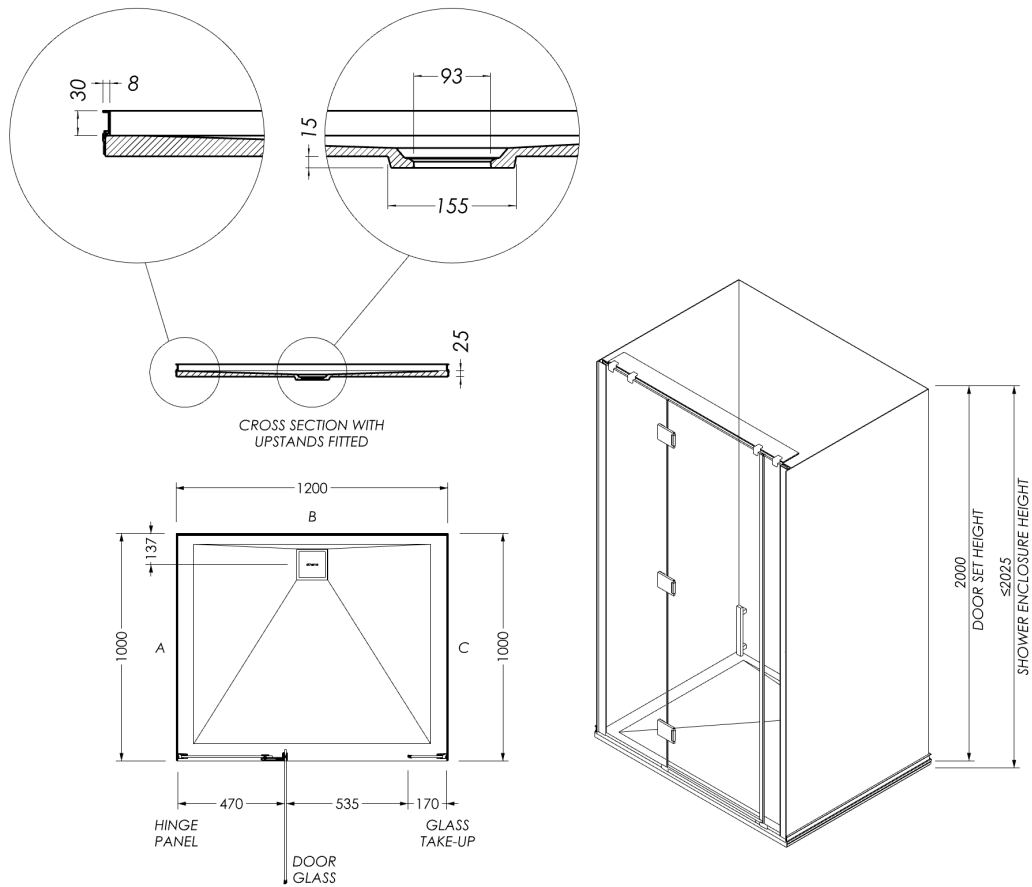
Stone
SLATE LIGHT GREY

	Anthracite SLATE DARK GREY	Chalk SLATE WHITE	Stone SLATE LIGHT GREY
2 sided (AB upstands)	TRSFAN12	TRSFCH12	TRSFST12
2 sided (BC upstands)	TRSFAN21	TRSFCH21	TRSFST21
3 sided (ABC upstands)	TRSFAN2A	TRSFCH2A	TRSFST2A

MARCH 2024

ALL MEASUREMENTS ARE NOMINAL
 *WARRANTIES APPLY TO RESIDENTIAL DOMESTIC USE ONLY. WARRANTY VOID
 IF PRODUCT IS NOT INSTALLED ACCORDING TO OUR SPECIFICATIONS.
 **FOR FURTHER INFORMATION ON BIPR, INSTALLATION GUIDE AND PRODUCT
 OPTIONS PLEASE REFER TO THE WEBSITE.
athena.co.nz

SLATEFORMA® CARDO 1000X1200 SHOWER PACKAGE



MARCH 2024

ALL MEASUREMENTS ARE NOMINAL
 *WARRANTIES APPLY TO RESIDENTIAL DOMESTIC USE ONLY. WARRANTY VOID
 IF PRODUCT IS NOT INSTALLED ACCORDING TO OUR SPECIFICATIONS.
 **FOR FURTHER INFORMATION ON BIFR, INSTALLATION GUIDE AND PRODUCT
 OPTIONS PLEASE REFER TO THE WEBSITE.
athena.co.nz