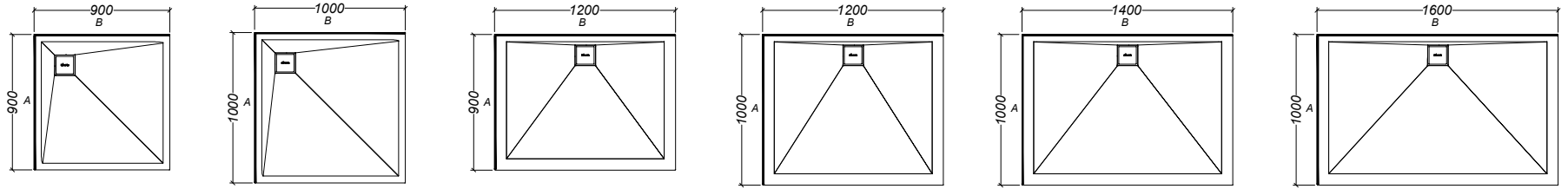
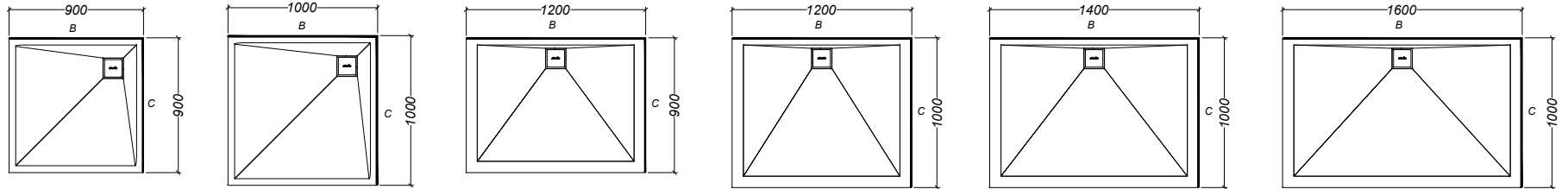


2 Sided  
AB Upstands

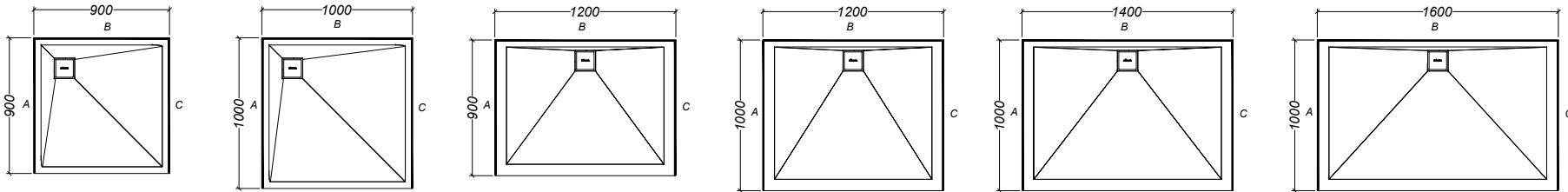


2 Sided  
BC Upstands

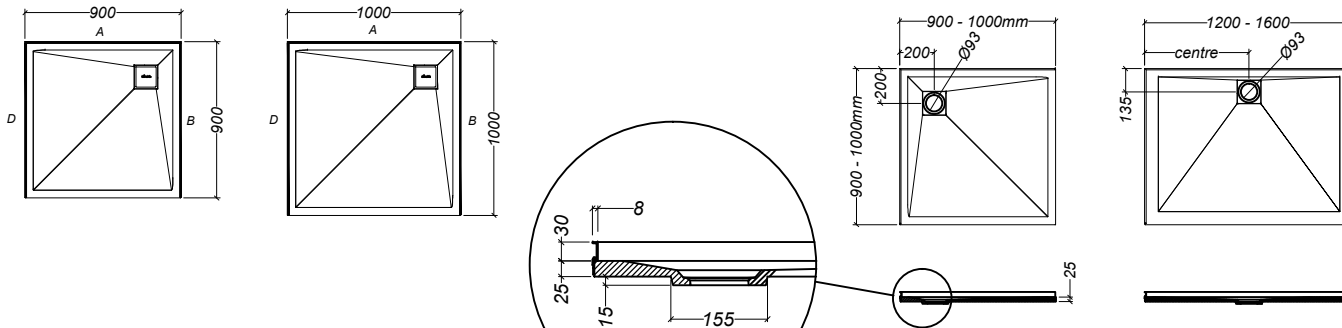


Same as AB Upstands

Alcove  
ABC Upstands



Alcove  
DAB Upstands



All Dimensions are nominal

Typical cross section